



US00D640250S

(12) **United States Design Patent**  
**Kusuki et al.**

(10) **Patent No.:** **US D640,250 S**  
(45) **Date of Patent:** **\*\* Jun. 21, 2011**

(54) **DISC PLAYER**

(75) Inventors: **Kazunori Kusuki**, Tokyo (JP); **Kiyoshi Oota**, Tokyo (JP)

(73) Assignee: **Sony Corporation**, Tokyo (JP)

(\*\*) Term: **14 Years**

(21) Appl. No.: **29/347,535**

(22) Filed: **Feb. 25, 2010**

(30) **Foreign Application Priority Data**

Aug. 27, 2009 (EM) ..... 001604877-0002  
Aug. 27, 2009 (EM) ..... 001604877-0003  
Aug. 27, 2009 (EM) ..... 001604877-0004

(51) **LOC (9) Cl.** ..... **14-01**

(52) **U.S. Cl.** ..... **D14/257**

(58) **Field of Classification Search** ..... D14/157,  
D14/168, 188, 197-198, 217, 257-258, 498-511;  
369/75.11, 75.21, 77.11, 77.21; 720/601,  
720/612, 619, 658, 691; 455/344, 575.1

See application file for complete search history.

(56) **References Cited**

**U.S. PATENT DOCUMENTS**

D410,924 S 6/1999 Hisatsune et al.  
D414,183 S 9/1999 Honji  
D446,194 S 8/2001 Yamazaki et al.  
D465,475 S 11/2002 Ishibashi  
D473,202 S 4/2003 Ishibashi  
D502,696 S 3/2005 Ishibashi  
D506,984 S 7/2005 Oikawa  
D509,492 S \* 9/2005 Chun-Ting ..... D14/505  
D513,253 S 12/2005 Kawasaki  
D513,507 S 1/2006 Tsuge  
D524,775 S \* 7/2006 Liu ..... D14/505  
D531,151 S 10/2006 Yoshida  
D532,781 S 11/2006 Ohno  
D535,280 S 1/2007 Ohno  
D539,261 S 3/2007 Hyodo

D539,262 S 3/2007 Hyodo  
D554,605 S 11/2007 Hisatsune  
D559,809 S 1/2008 Oota

(Continued)

**FOREIGN PATENT DOCUMENTS**

JP D1099494 S 2/2001

(Continued)

*Primary Examiner* — Nanda Bondade

(74) *Attorney, Agent, or Firm* — Rader, Fishman & Grauer PLLC

(57) **CLAIM**

The ornamental design for a disc player, as shown and described.

**DESCRIPTION**

FIG. 1 is a perspective view of a disc player showing our new design;

FIG. 2 is a front elevational view thereof;

FIG. 3 is a left side elevational view thereof; and

FIG. 4 is a right side elevational view thereof; and

FIG. 5 is a top plan view thereof; and

FIG. 6 is a bottom plan view thereof.

FIG. 7 is a perspective view of another embodiment of a disc player showing our new design;

FIG. 8 is a front elevational view thereof;

FIG. 9 is a left side elevational view thereof; and

FIG. 10 is a right side elevational view thereof; and

FIG. 11 is a top plan view thereof; and

FIG. 12 is a bottom plan view thereof.

FIG. 13 is a perspective view of still another embodiment of a disc player showing our new design;

FIG. 14 is a front elevational view thereof;

FIG. 15 is a left side elevational view thereof; and

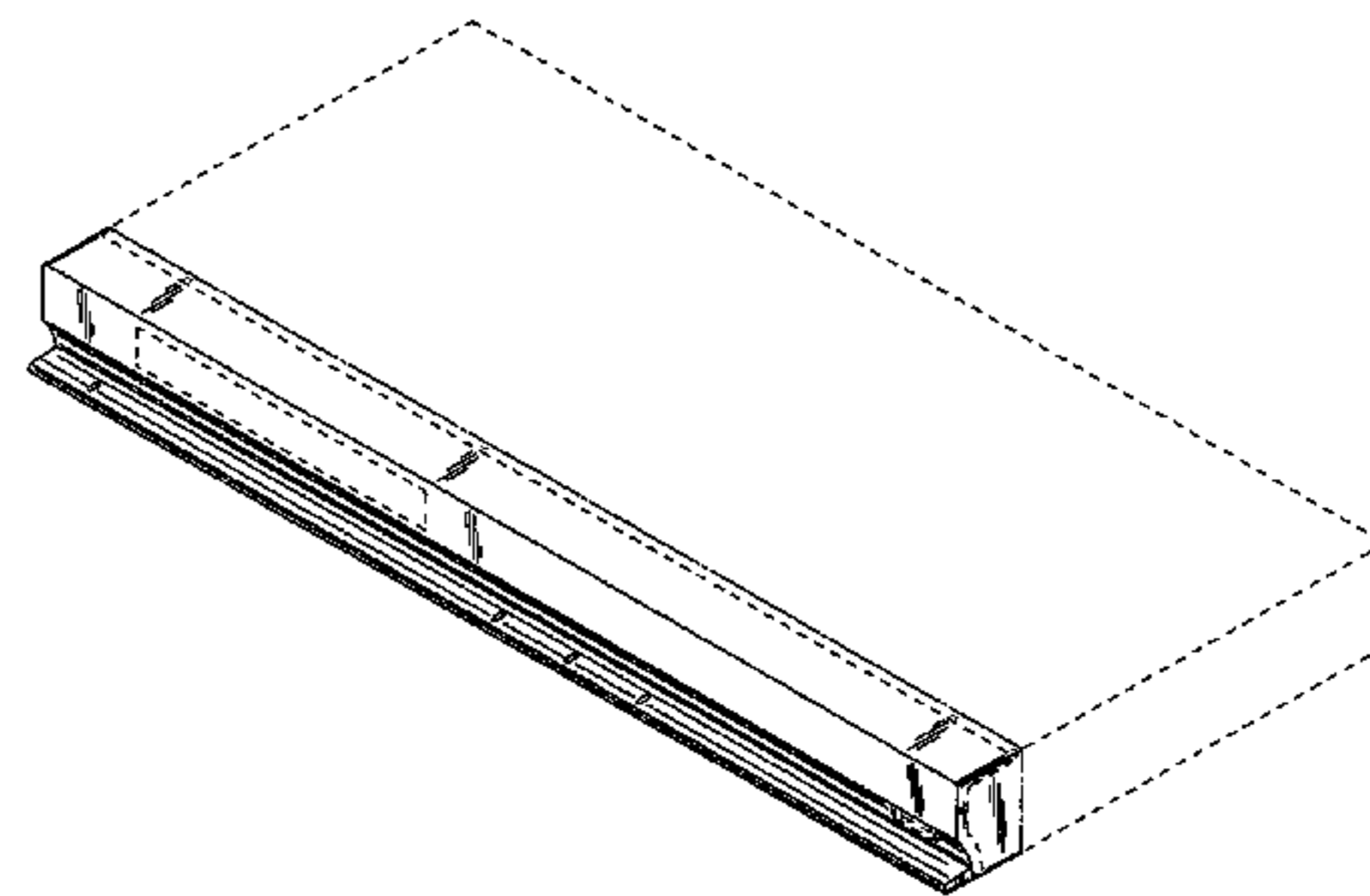
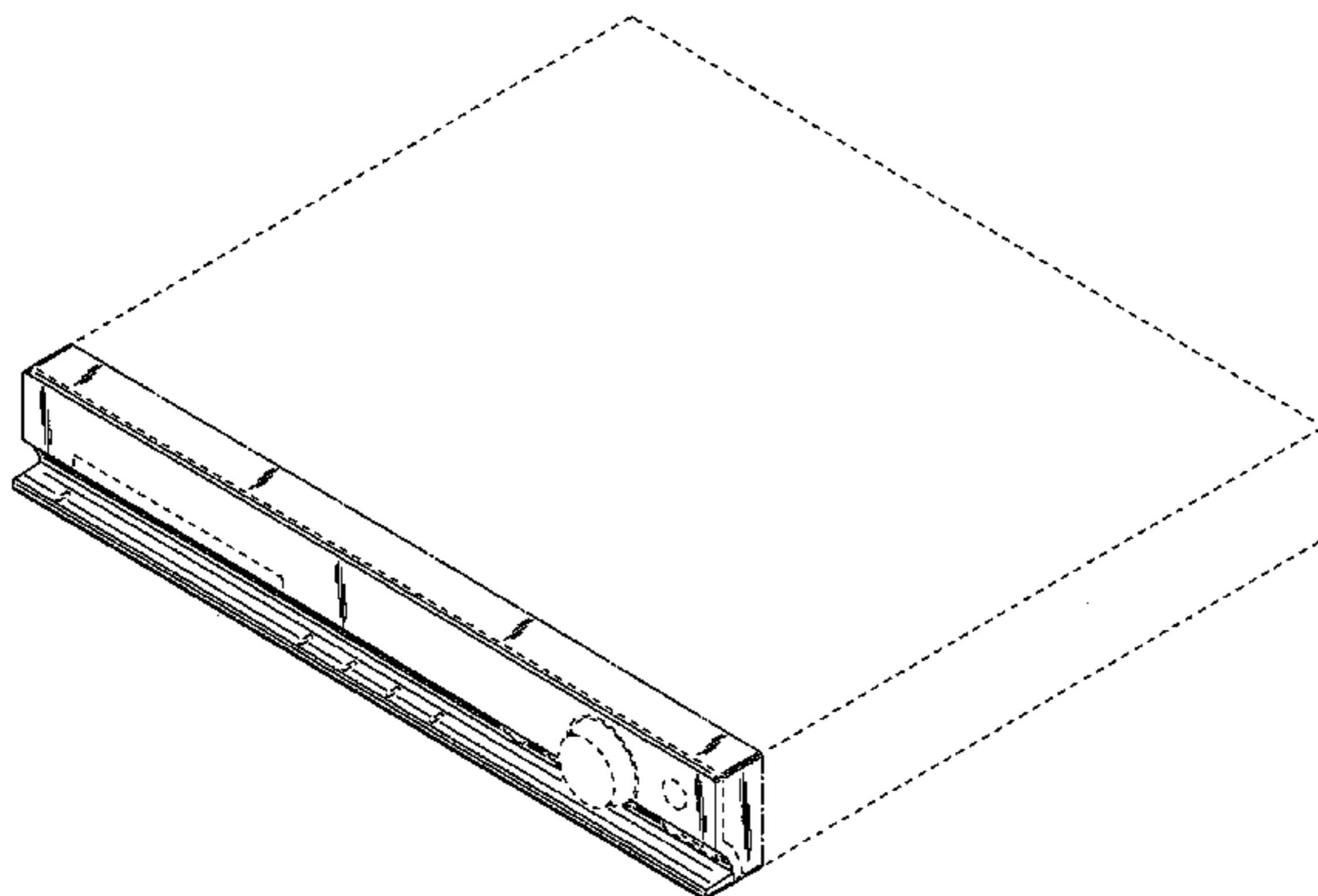
FIG. 16 is a right side elevational view thereof; and

FIG. 17 is a top plan view thereof; and,

FIG. 18 is a bottom plan view thereof.

Portions in broken lines are for illustrative purposes only and forms no part of the claimed design. Dot-dash broken lines define boundaries of, but are not included in the claimed design.

**1 Claim, 13 Drawing Sheets**



# US D640,250 S

Page 2

---

## U.S. PATENT DOCUMENTS

D563,942 S	3/2008	Tejima	
D564,996 S	3/2008	Uchiyama	
D571,783 S *	6/2008	Moldauer et al. ....	D14/198
D576,603 S	9/2008	Ohno	
D585,402 S	1/2009	Shimizu	

## FOREIGN PATENT DOCUMENTS

JP	D1138571 S	4/2002
JP	D1185806 S	9/2003
JP	D1197220 S	2/2004

\* cited by examiner

FIG.1

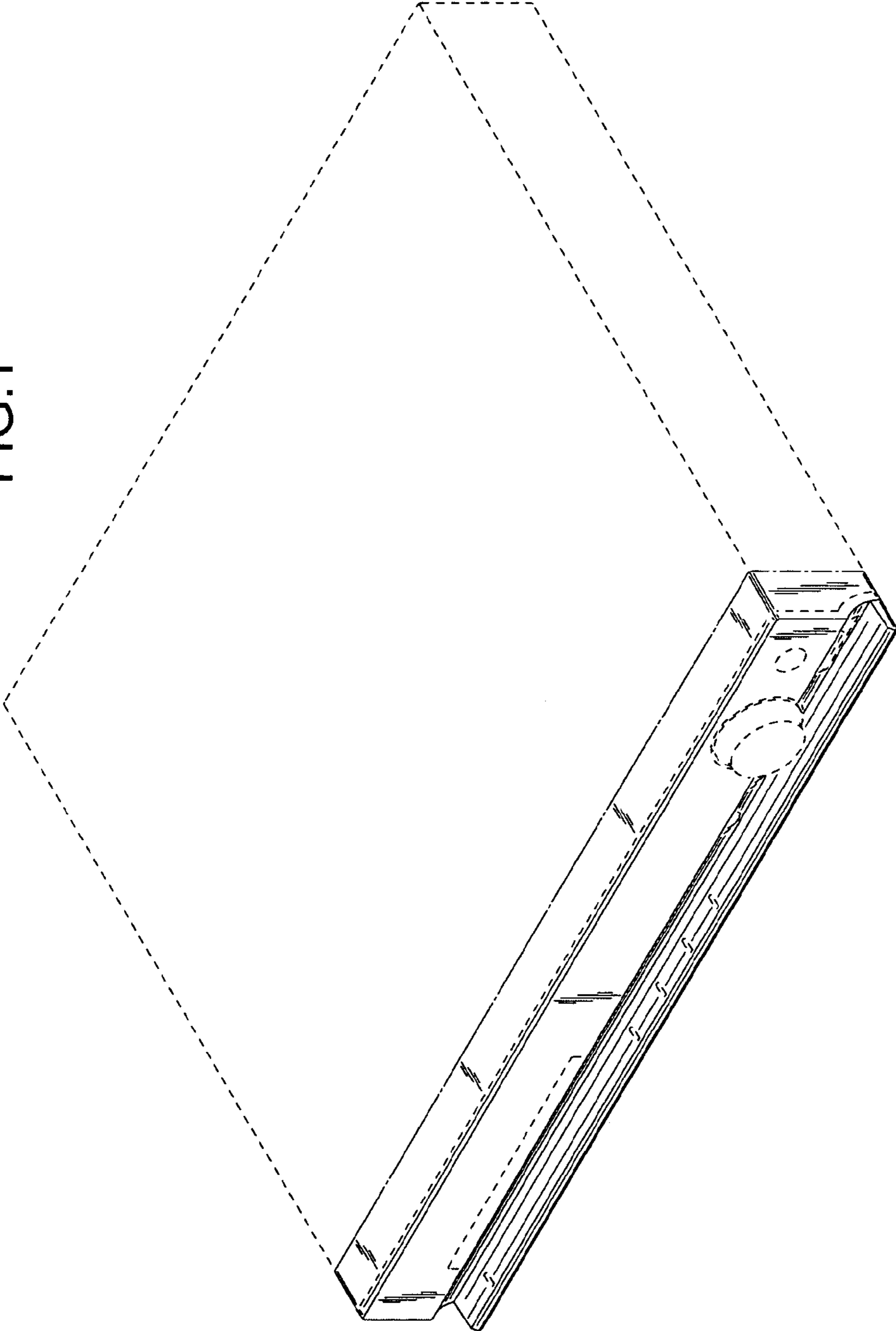


FIG.2

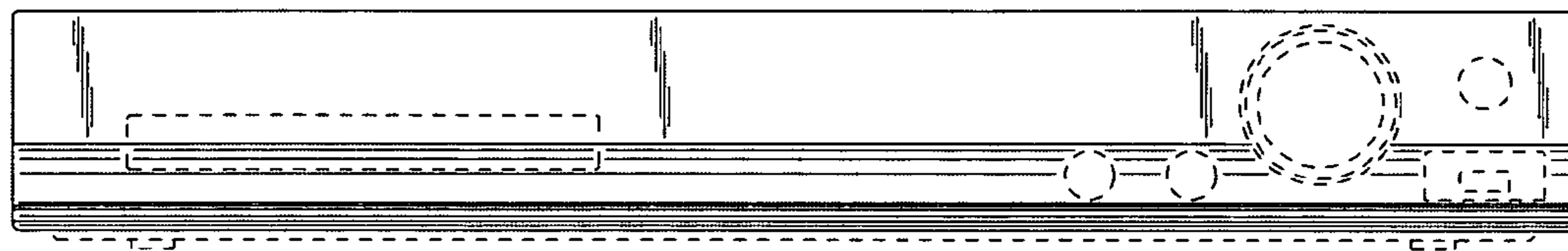


FIG. 3



FIG. 4



FIG.5

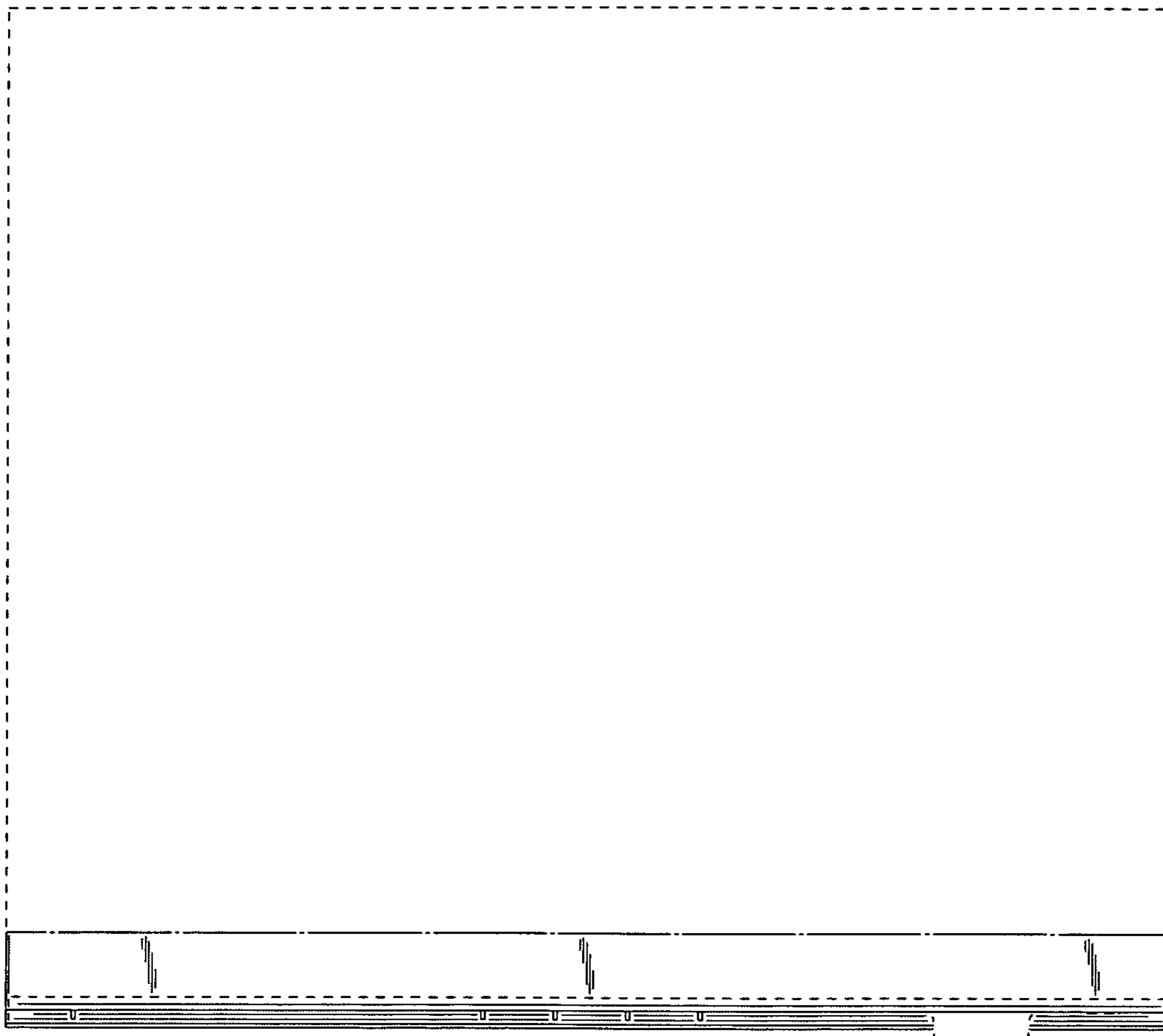


FIG.6

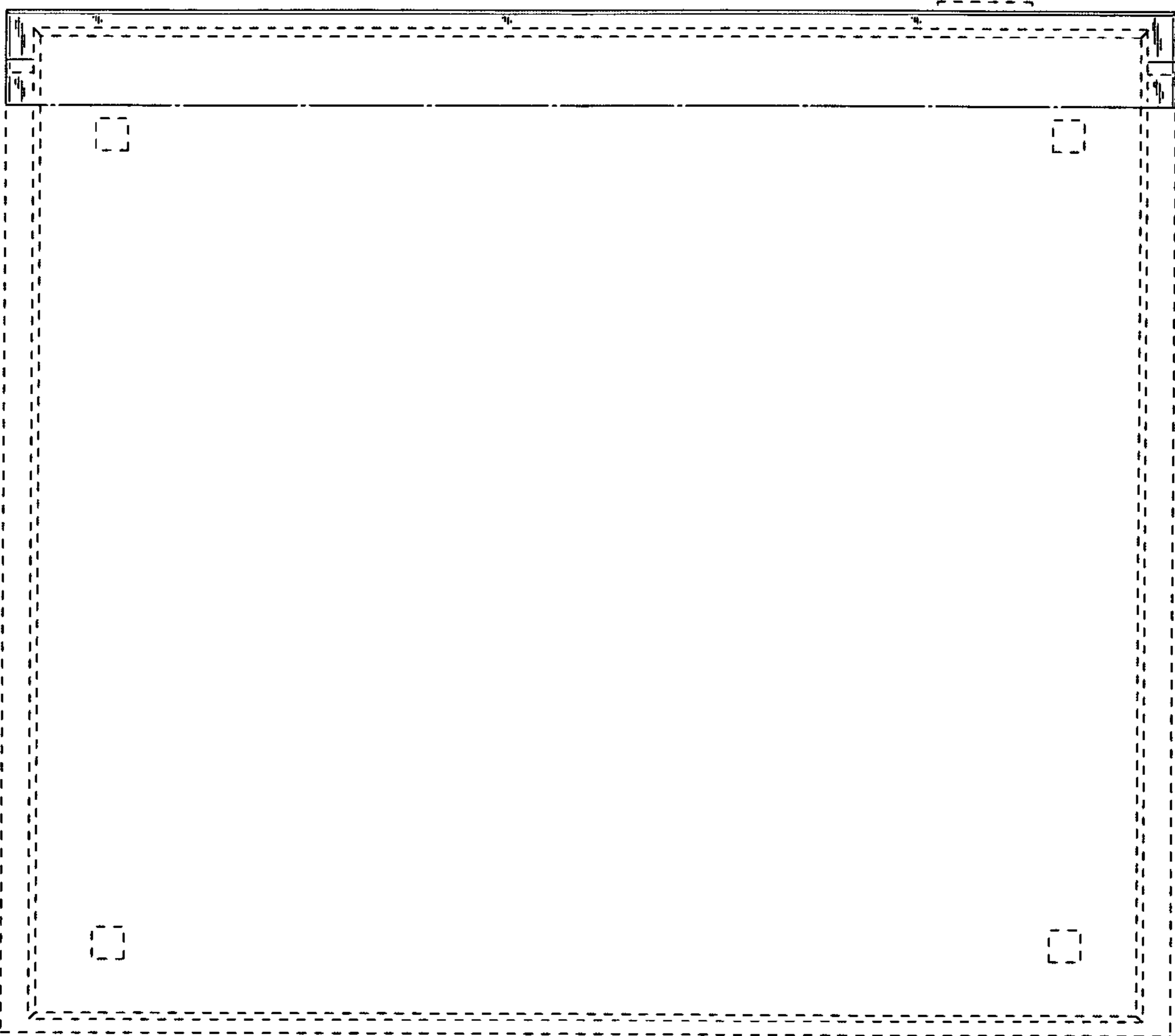


FIG.7

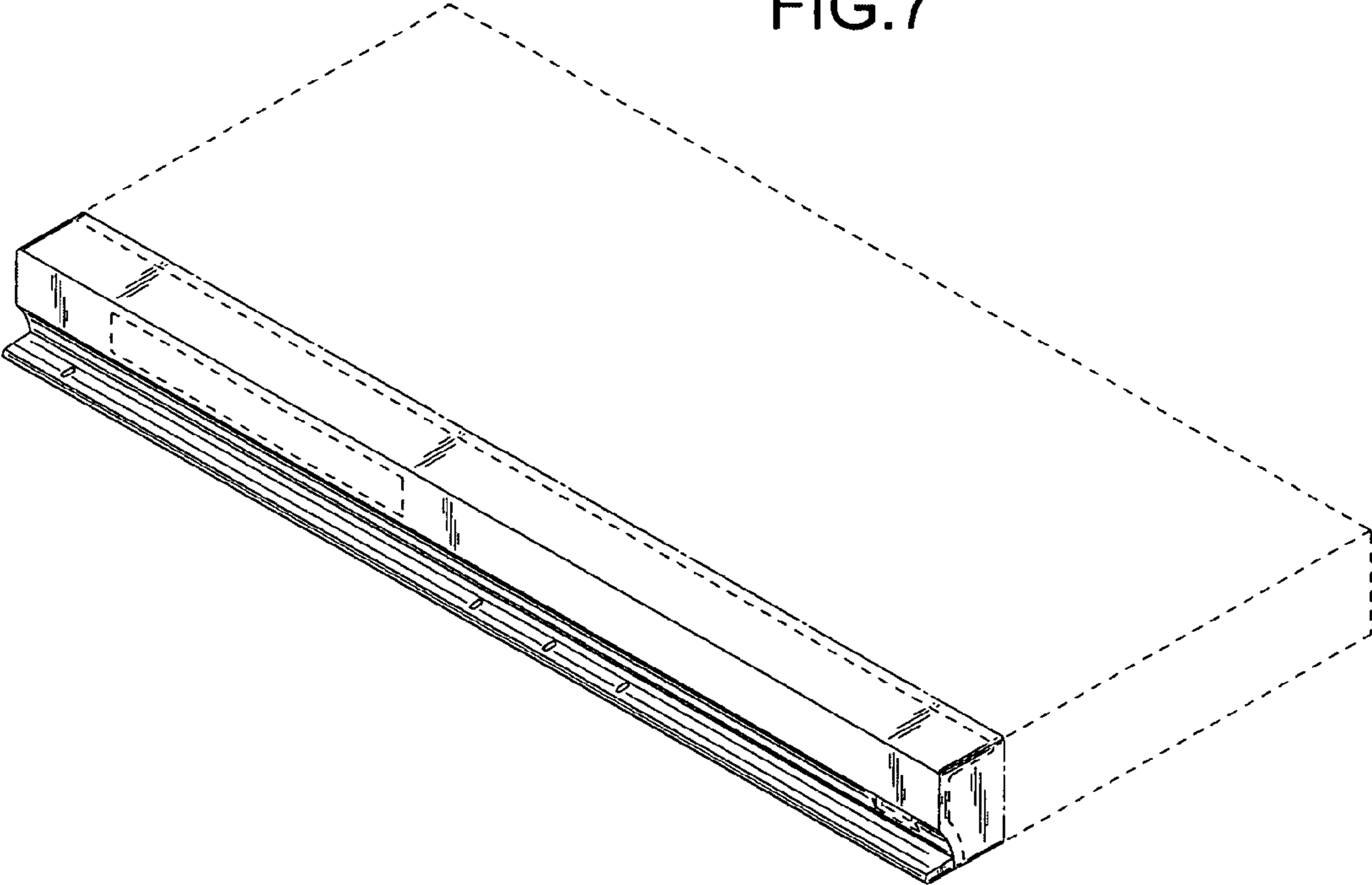




FIG.8

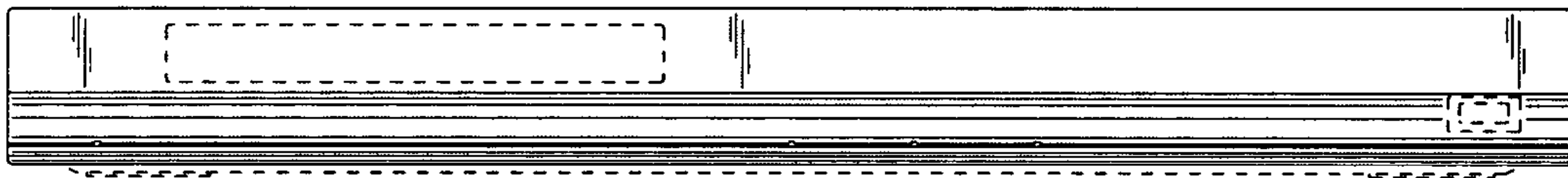


FIG. 9



FIG. 10



FIG.11

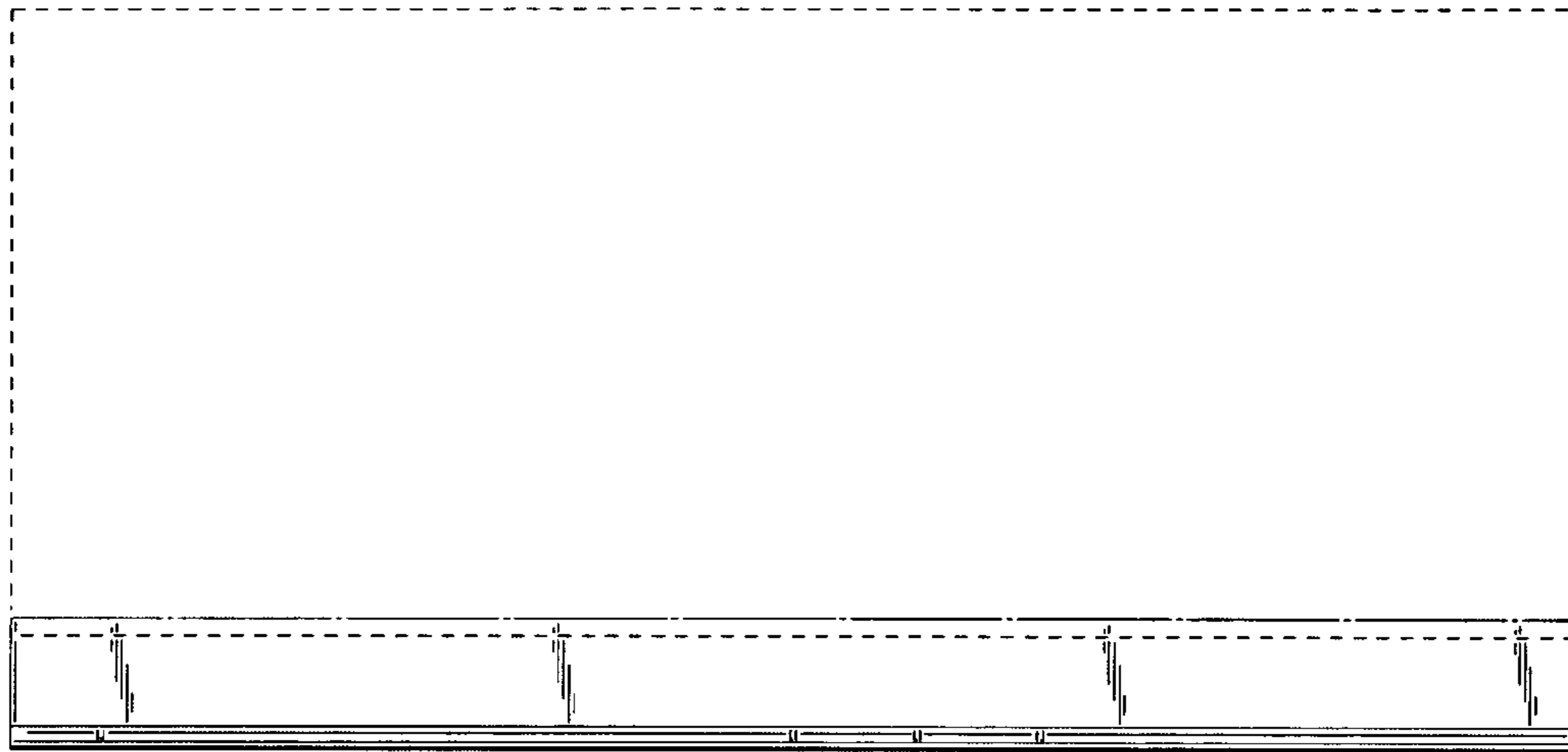


FIG.12

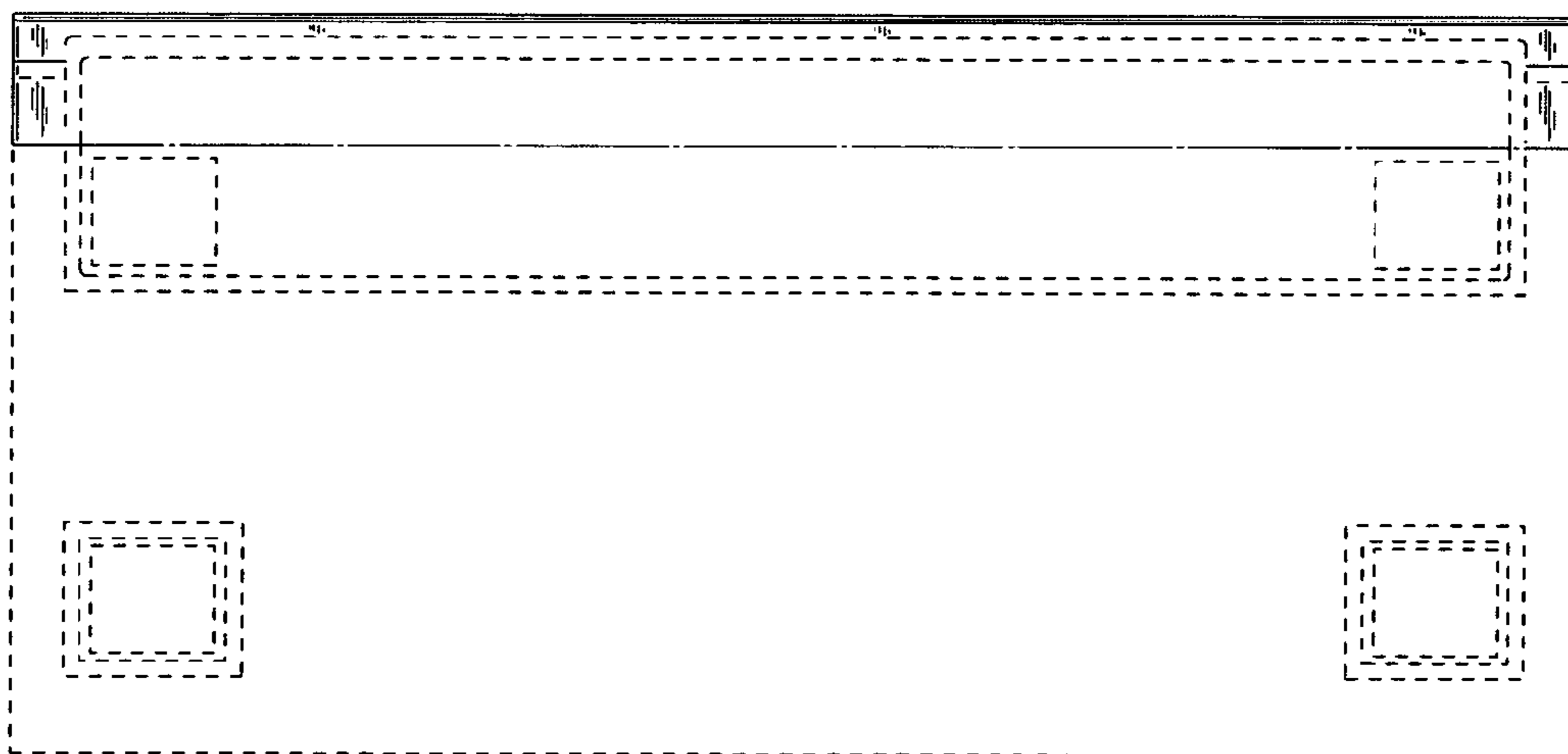


FIG.13

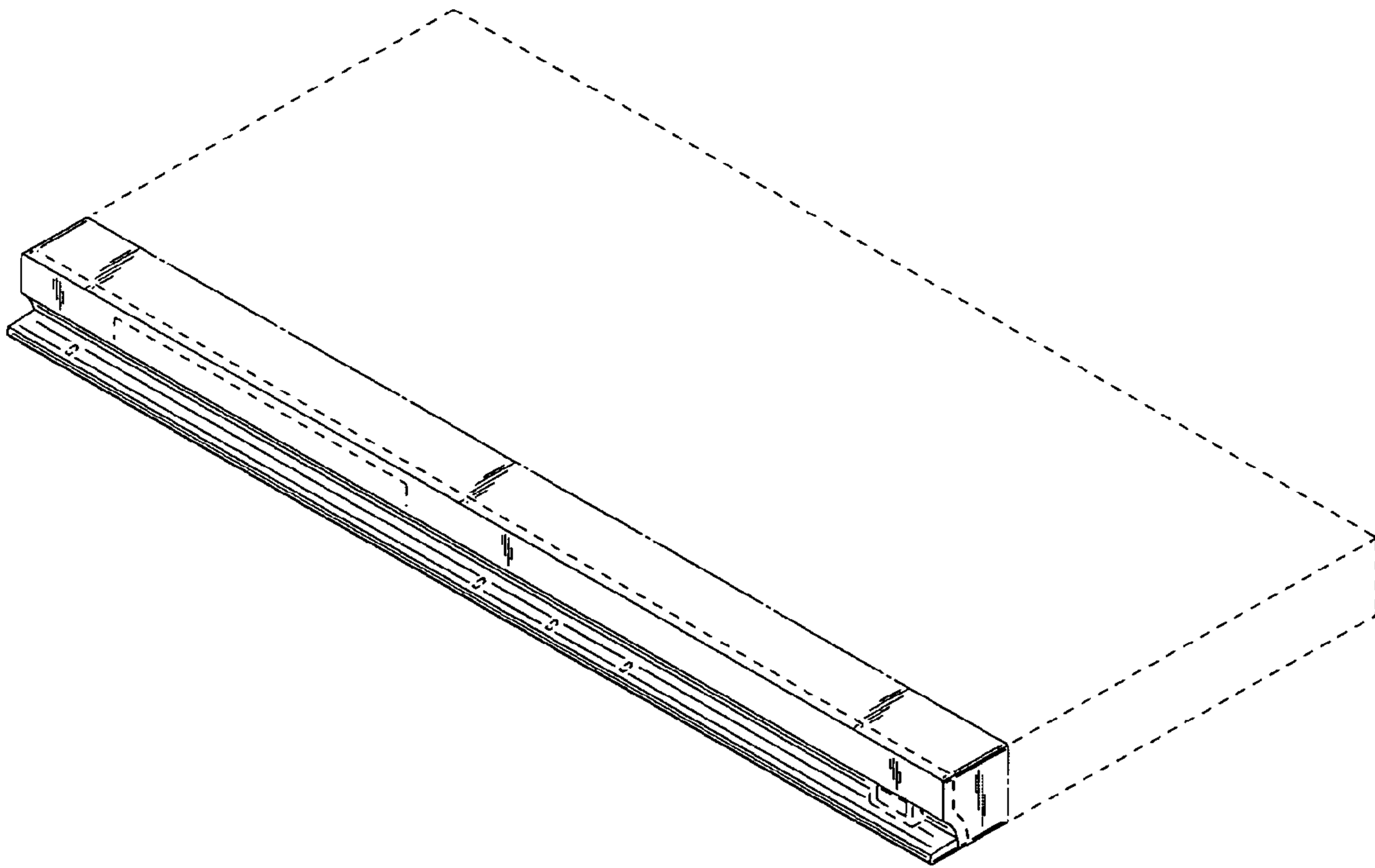


FIG.14

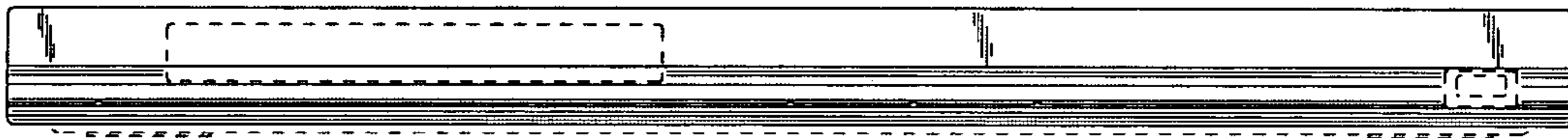


FIG.15



FIG.16



FIG.17

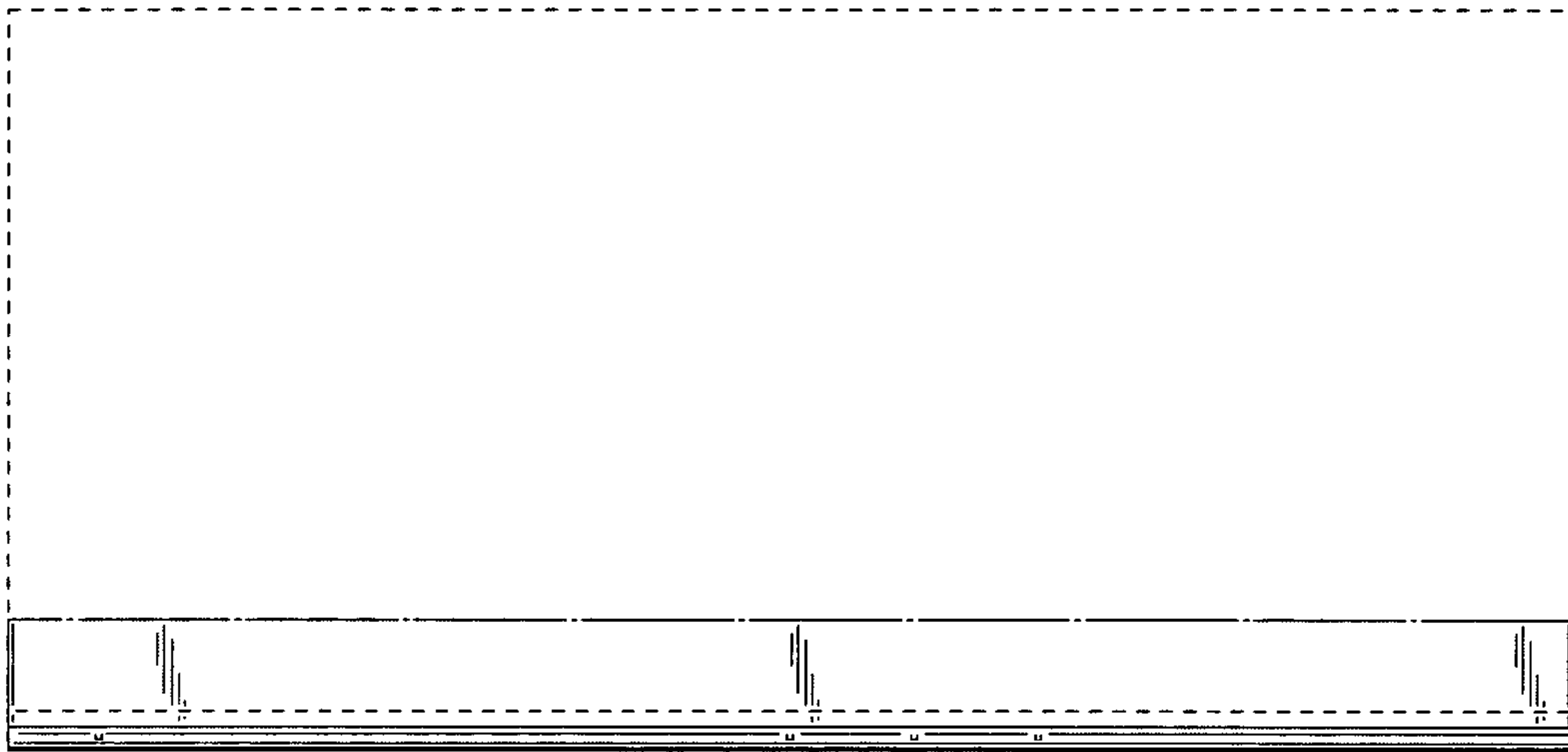


FIG.18

