



US00D640248S

(12) **United States Design Patent**
Baumann et al.

(10) **Patent No.:** **US D640,248 S**

(45) **Date of Patent:** **** Jun. 21, 2011**

(54) **STAND**

(75) Inventors: **Scott Baumann**, Anacortes, WA (US);
Brian Wheeler, Bellingham, WA (US)

(73) Assignee: **Glingo.com LLC**, Ferndale, WA (US)

(**) Term: **14 Years**

(21) Appl. No.: **29/348,213**

(22) Filed: **Dec. 8, 2009**

(51) **LOC (9) Cl.** **14-03**

(52) **U.S. Cl.** **D14/253**

(58) **Field of Classification Search** D14/140,
D14/140.1, 142, 144, 145, 147-151, 217,
D14/224, 229, 240, 242, 243, 252, 253, 299,
D14/447, 483, 214, 224.1, 227, 434, 218,
D14/216, 191, 496; D13/107-108, 168;
361/679.41; 439/534; 320/10, 115, 116,
320/107; D10/65

See application file for complete search history.

(56) **References Cited**

U.S. PATENT DOCUMENTS

D409,563	S	*	5/1999	Haase et al.	D13/107
5,903,133	A	*	5/1999	Amero et al.	320/107
D430,142	S	*	8/2000	Kuo et al.	D14/216
D456,351	S	*	4/2002	Yoneda	D13/108
D463,361	S	*	9/2002	Ruohonen	D13/108
D467,238	S	*	12/2002	Hlas et al.	D14/216
D468,305	S	*	1/2003	Ma et al.	D14/253
D508,458	S	*	8/2005	Solland et al.	D13/108
D509,183	S	*	9/2005	Solland et al.	D13/108
D521,927	S	*	5/2006	Franck et al.	D13/108
D522,999	S	*	6/2006	Smith-Adams et al.	D14/191
D524,243	S	*	7/2006	Lee	D13/108
D524,282	S	*	7/2006	Beasley et al.	D14/149
D525,583	S	*	7/2006	Vu	D13/108

D535,969	S	*	1/2007	Haney	D14/148
D536,665	S	*	2/2007	Solland	D13/108
D553,123	S	*	10/2007	Solland	D14/217
D554,108	S	*	10/2007	Solland	D14/217
D570,836	S	*	6/2008	Chen	D14/253
D590,839	S	*	4/2009	Lewis	D14/496
D593,882	S	*	6/2009	Scalisi	D10/65
D606,044	S	*	12/2009	Lee	D14/217
D628,203	S	*	11/2010	Noble	D14/447

OTHER PUBLICATIONS

Clingo parabolic sound sphere universal media dock, <URL:http://www.clingo.com/home-and-office/parabolic-sound-sphere>, retrieved from internet Feb. 9, 2011.*

* cited by examiner

Primary Examiner — Robert M Spear

Assistant Examiner — Carla Jobe Wright

(74) *Attorney, Agent, or Firm* — Tejpal S. Hansra

(57) **CLAIM**

The ornamental design for a stand, as shown and described.

DESCRIPTION

FIG. 1 is an isometric view of a stand showing our new design with an environmental handheld mobile electronic device shown in broken lines;

FIG. 2 is a front view thereof;

FIG. 3 is a right side view thereof;

FIG. 4 is a left side view thereof;

FIG. 5 is a back view thereof;

FIG. 6 is a top view thereof; and,

FIG. 7 is a bottom view thereof.

The broken lines in FIG. 1 illustrate unclaimed environment in which the stand may be used. The broken lines in FIG. 7 depict unclaimed portions of the stand.

1 Claim, 2 Drawing Sheets

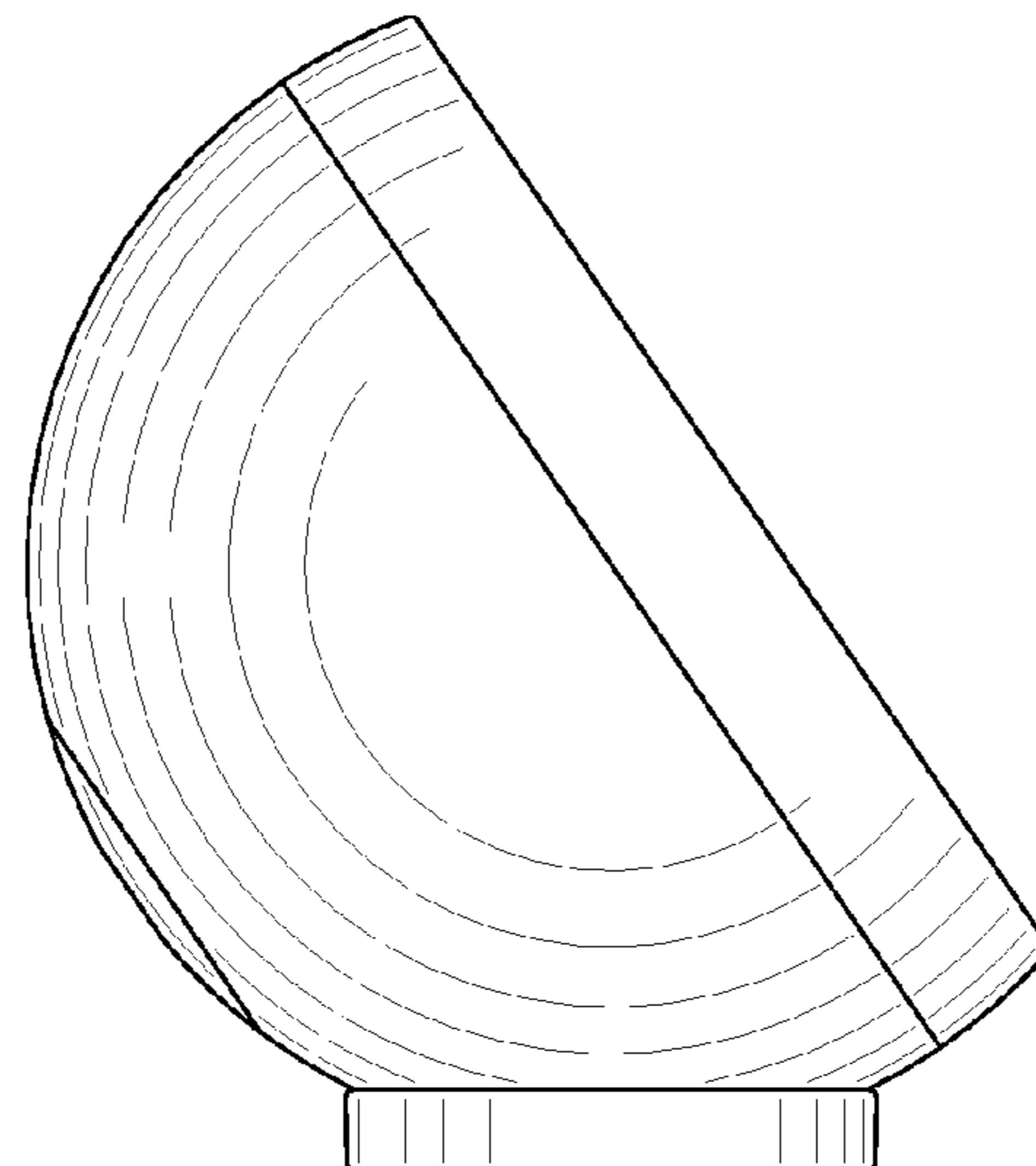
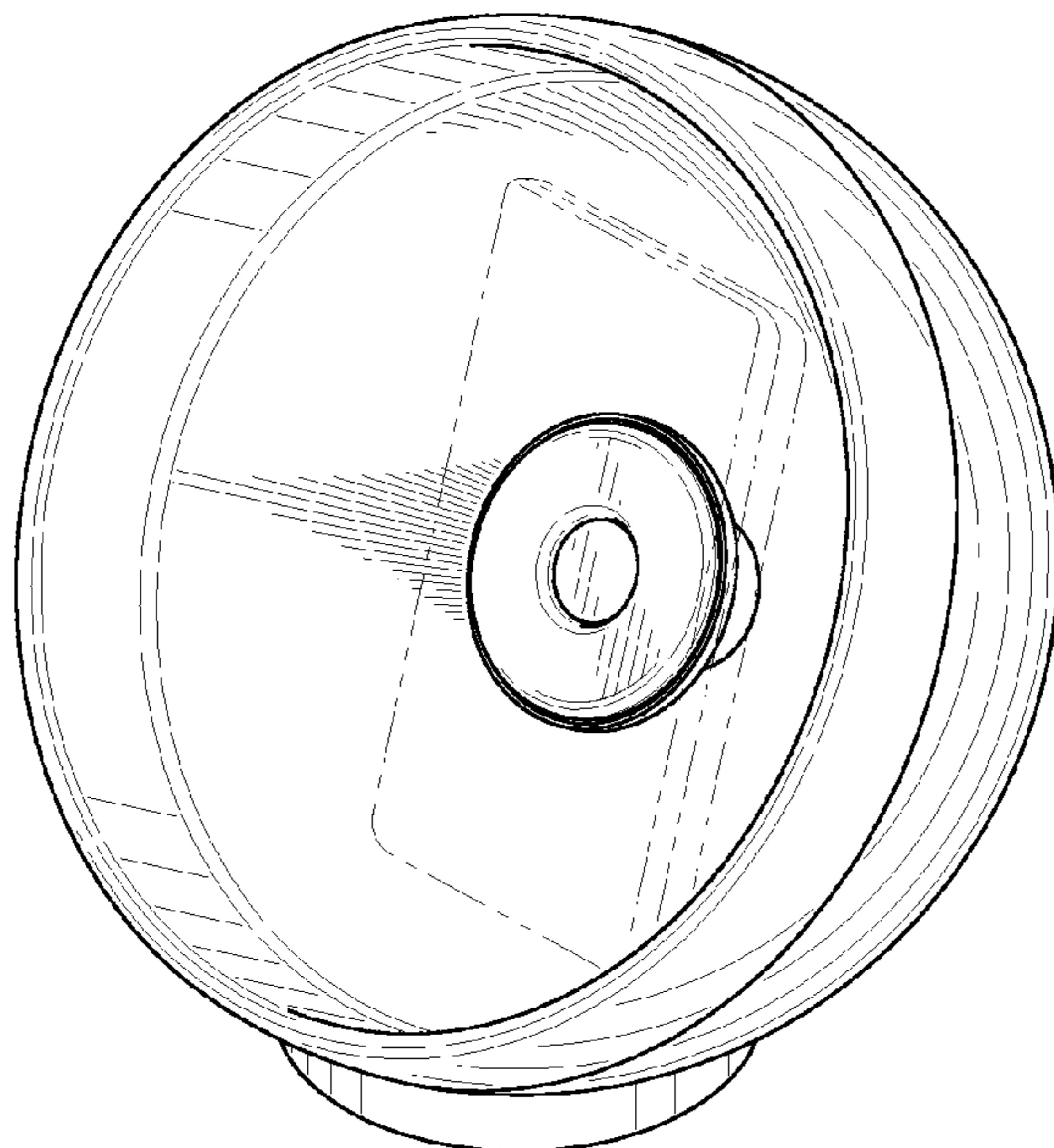


FIG. 1

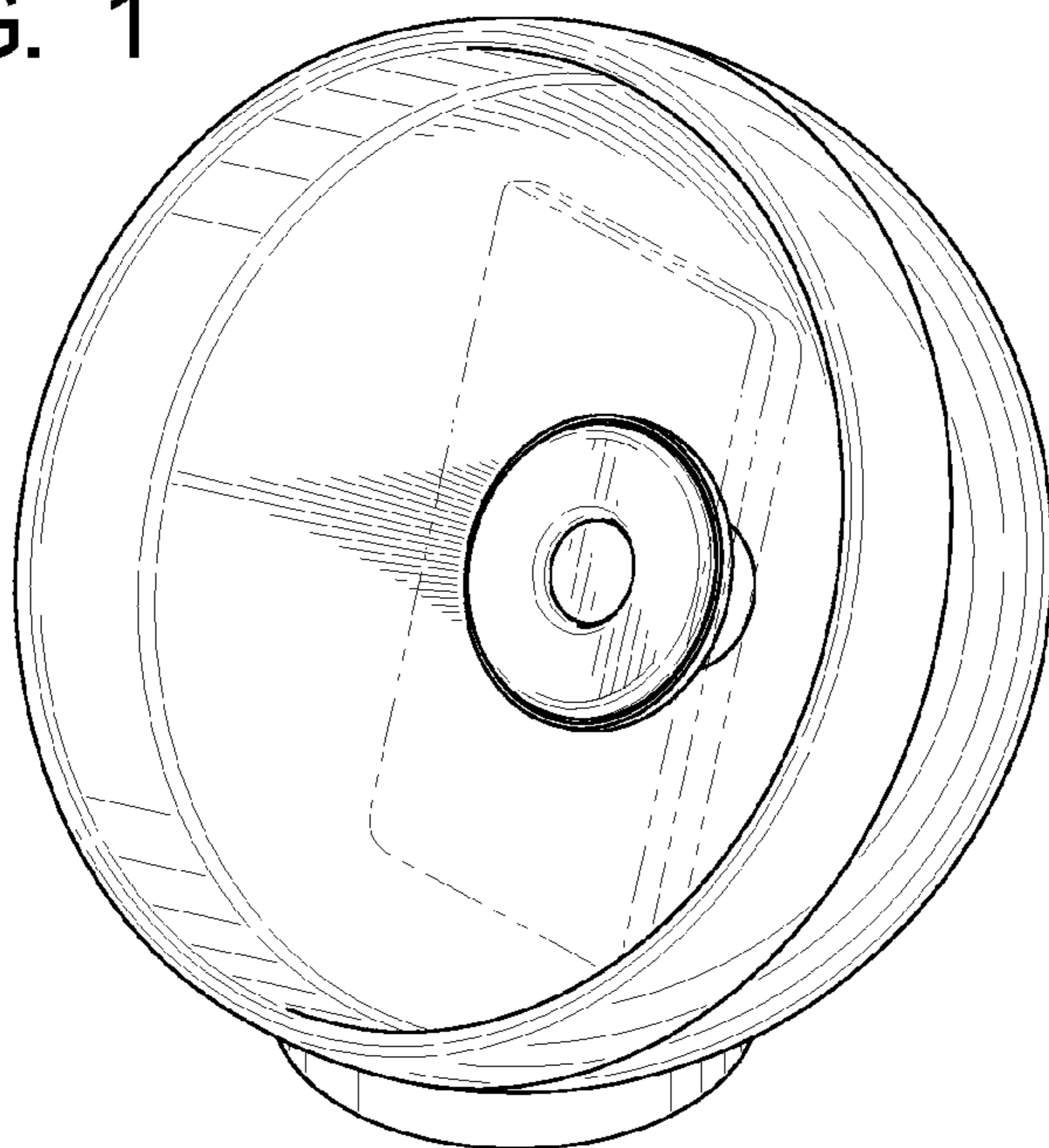


FIG. 2

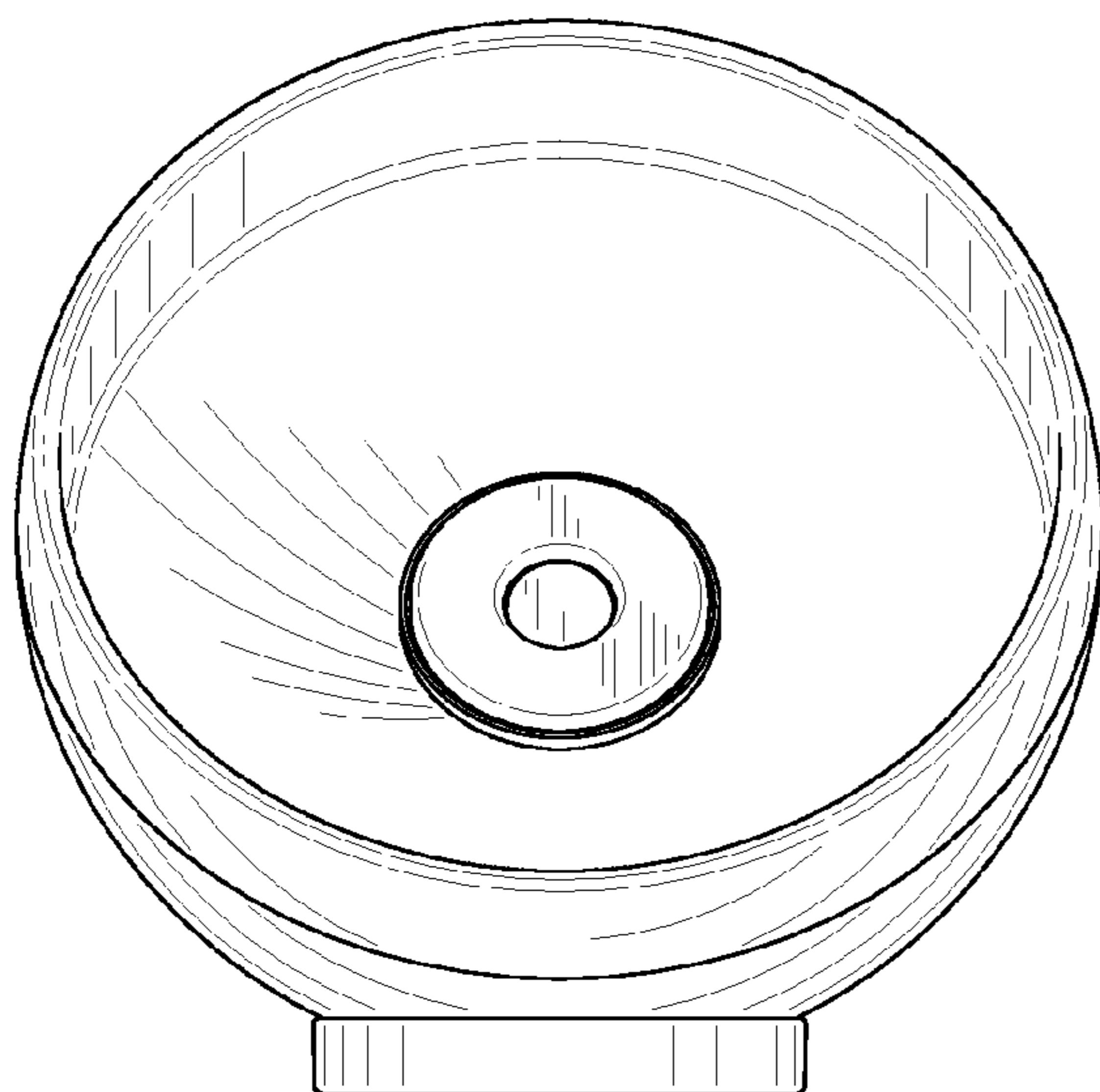


FIG. 3

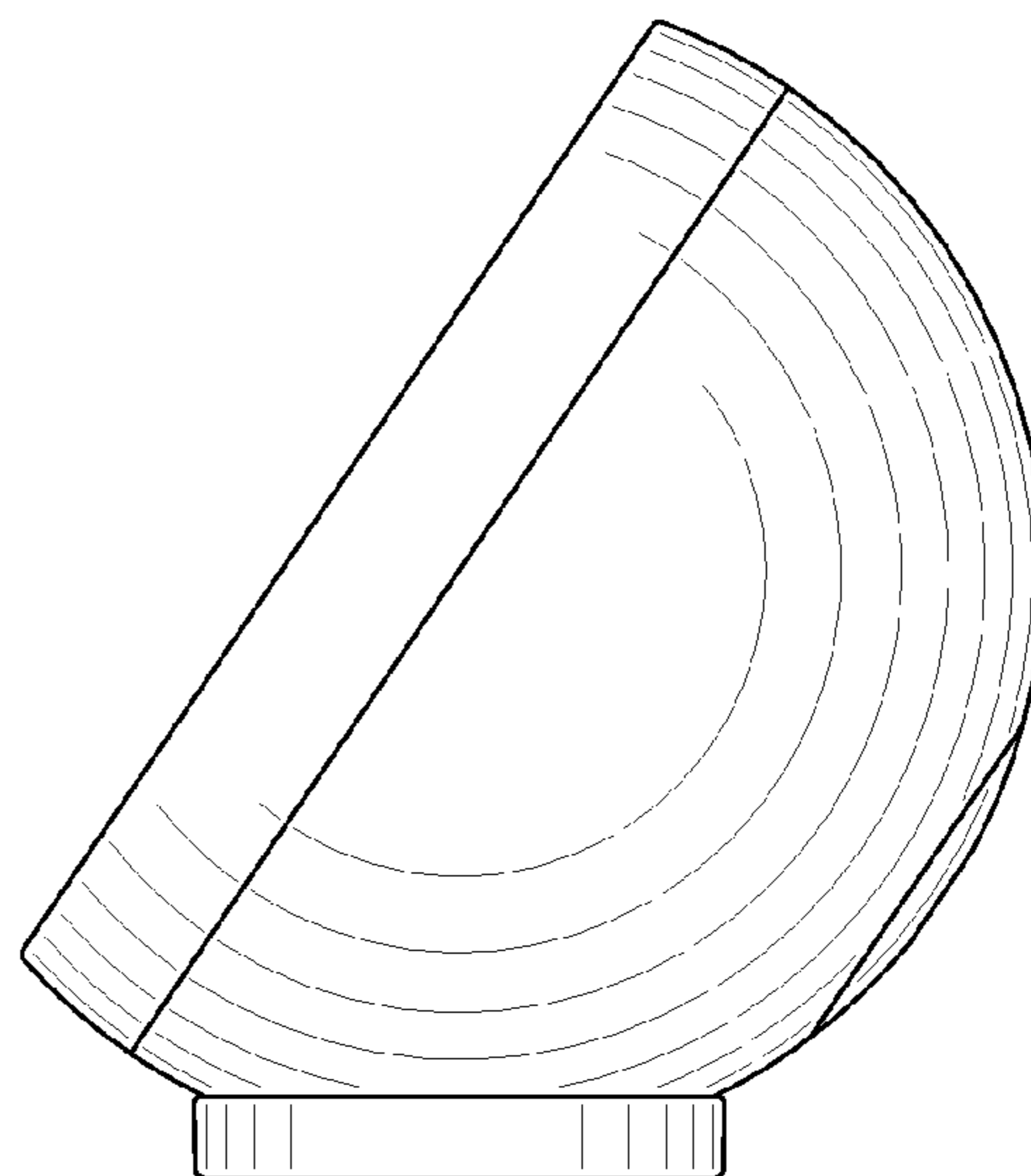


FIG. 4

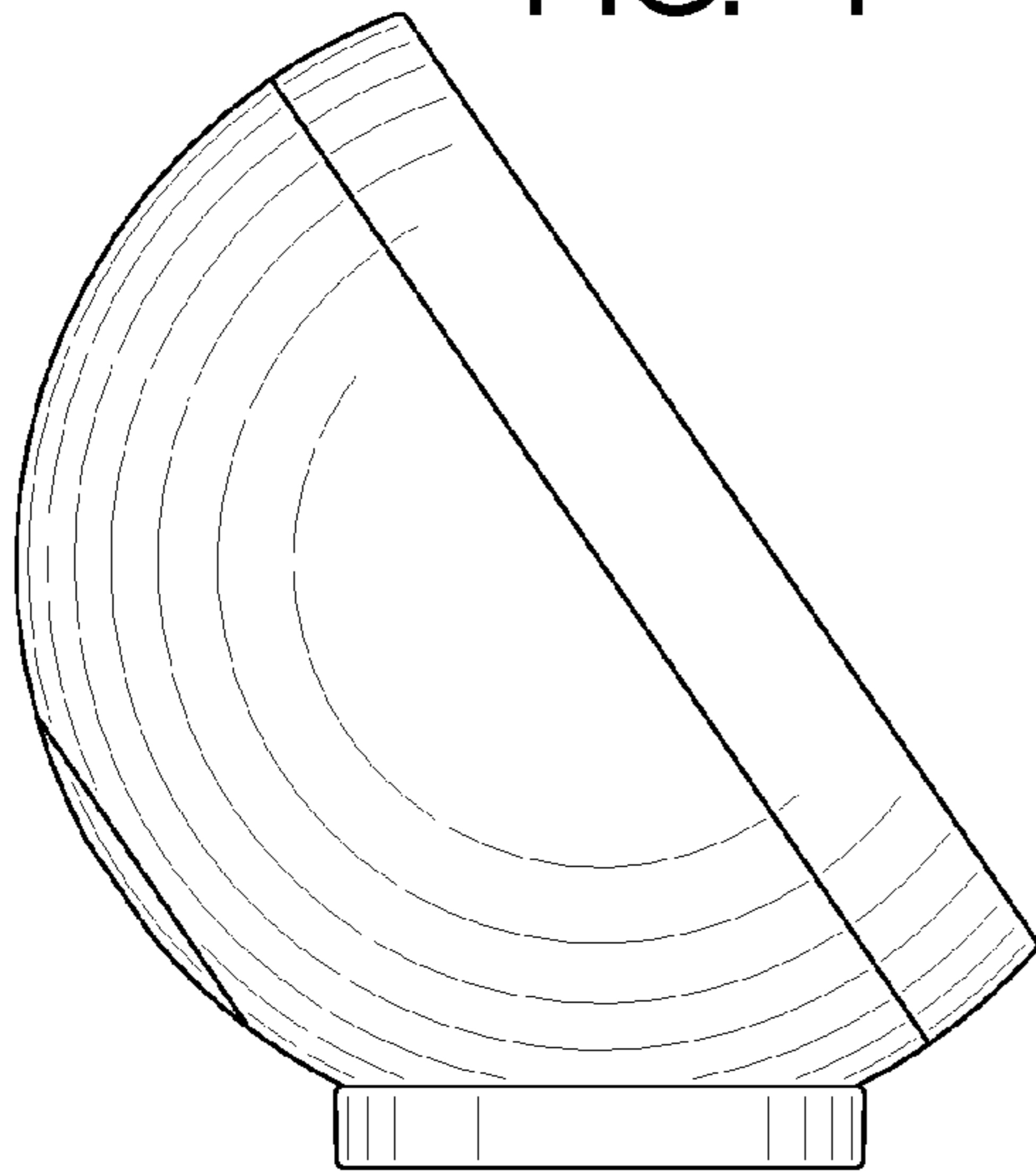


FIG. 5

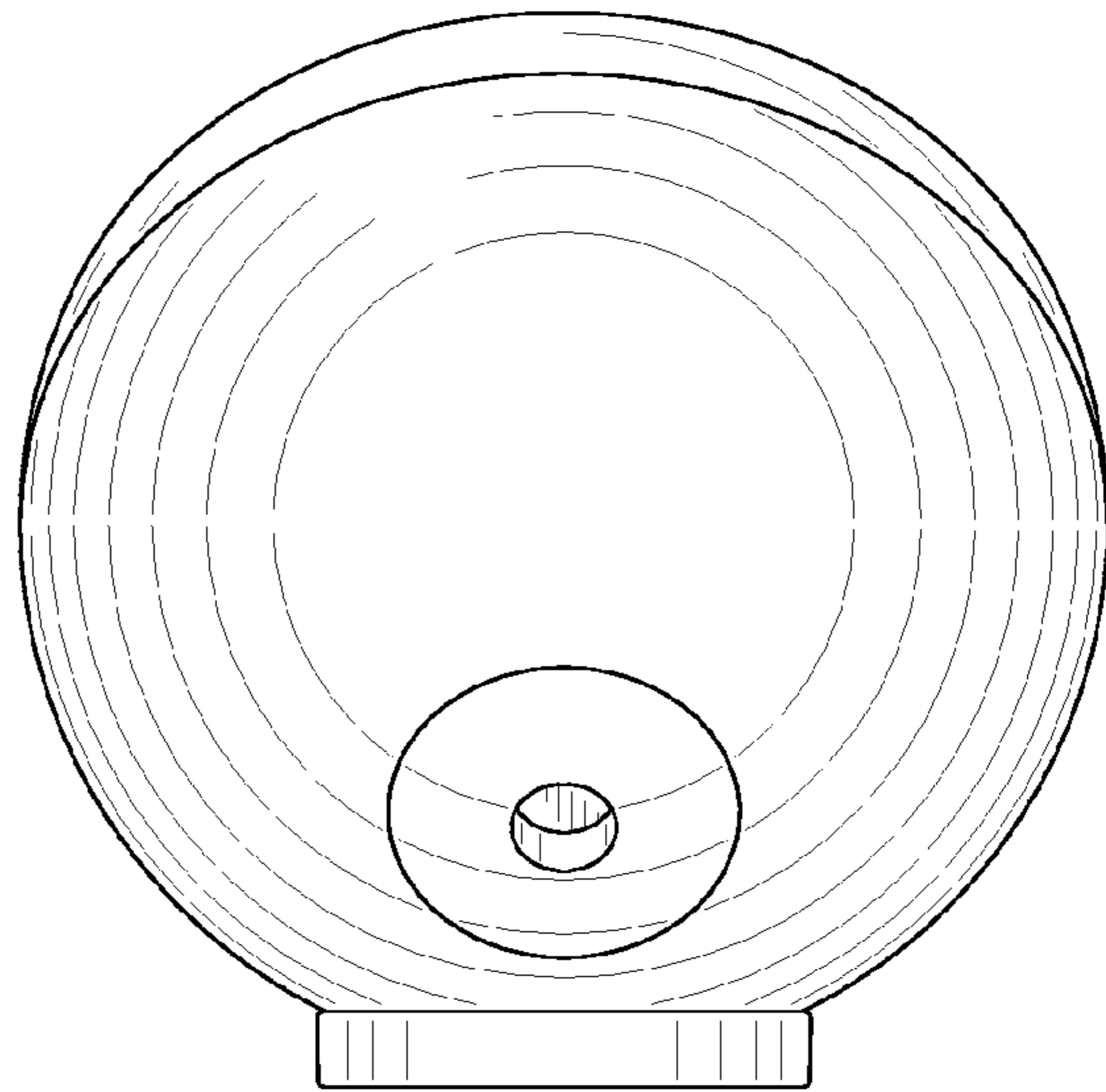


FIG. 6

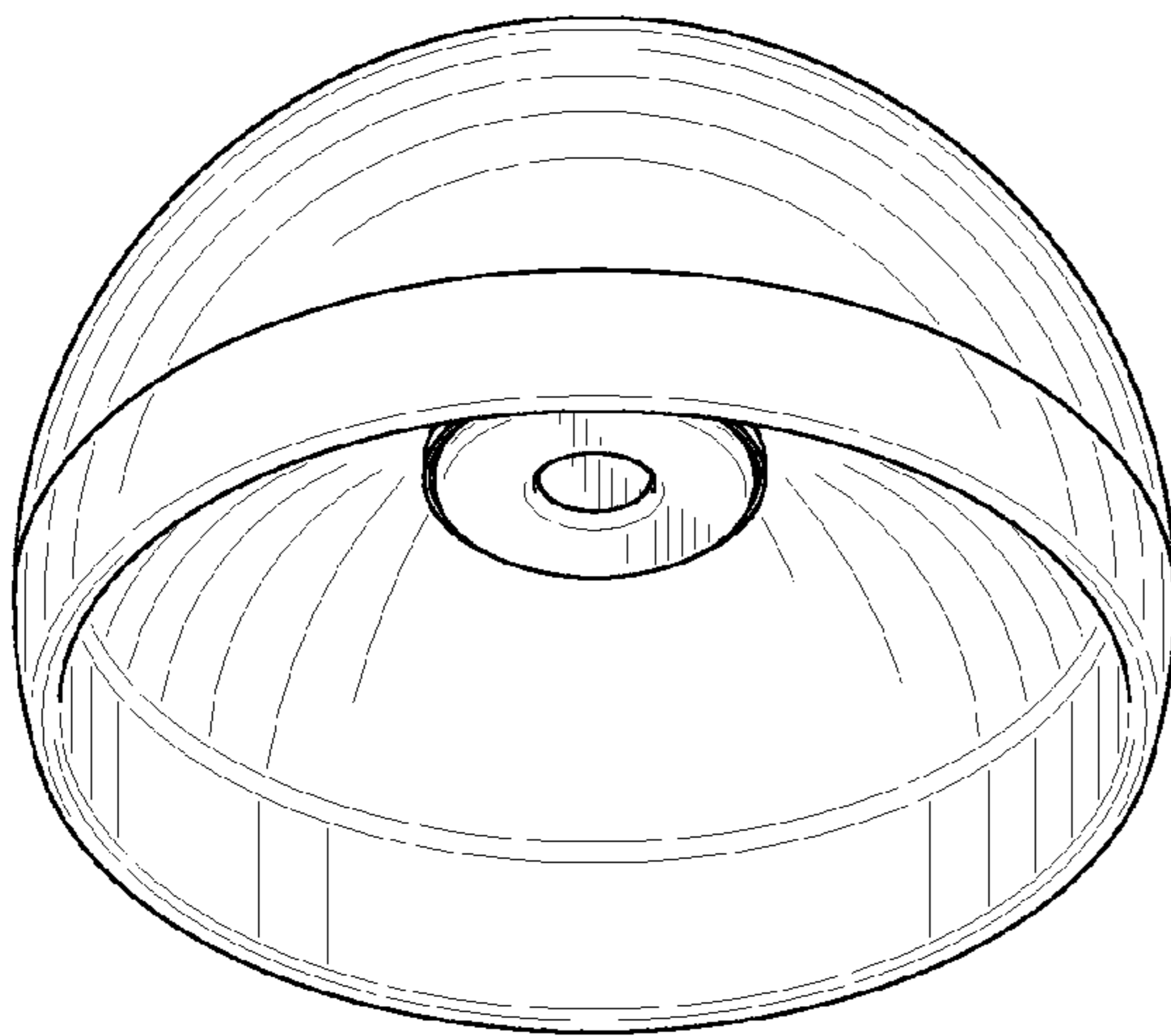
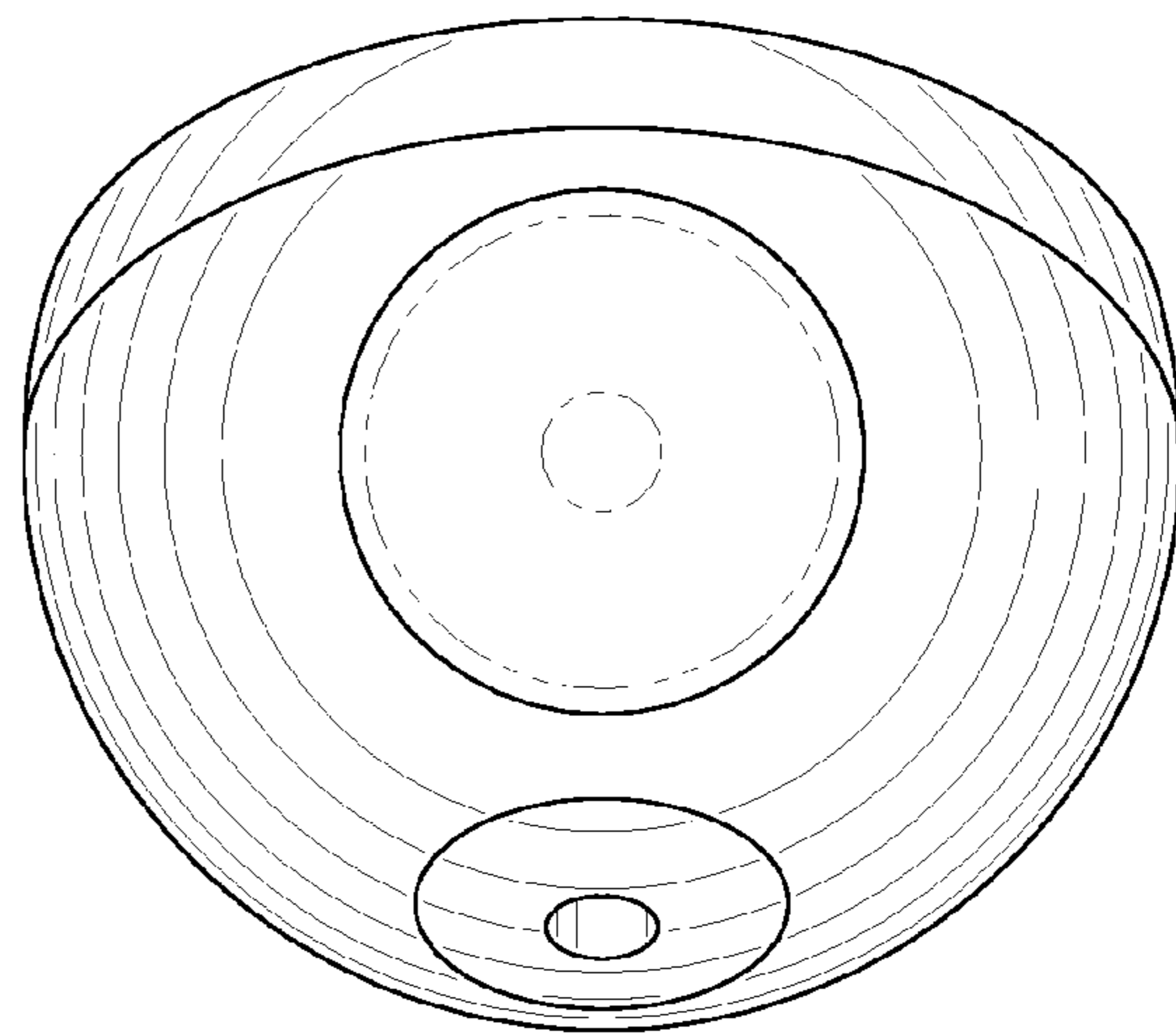


FIG. 7



UNITED STATES PATENT AND TRADEMARK OFFICE
CERTIFICATE OF CORRECTION

PATENT NO. : D640,248 S
APPLICATION NO. : 29/348213
DATED : June 21, 2011
INVENTOR(S) : Baumann et al.

Page 1 of 1

It is certified that error appears in the above-identified patent and that said Letters Patent is hereby corrected as shown below:

Title page, ITEM [73], ASSIGNEE:

Please change the Assignee's name from "Glingo.com LLC" to --Clingo.com LLC--

Signed and Sealed this
Fourth Day of October, 2011

A handwritten signature in black ink that reads "David J. Kappos". The signature is written in a cursive, slightly slanted style.

David J. Kappos
Director of the United States Patent and Trademark Office