



US00D640247S

(12) **United States Design Patent**  
**Baumann et al.**

(10) **Patent No.:** **US D640,247 S**  
(45) **Date of Patent:** **\*\* Jun. 21, 2011**

(54) **STAND**

(75) Inventors: **Scott Baumann**, Anacortes, WA (US);  
**Brian Wheeler**, Bellingham, WA (US)

(73) Assignee: **Clingo.com LLC**, Ferndale, WA (US)

(\*\*) Term: **14 Years**

(21) Appl. No.: **29/348,210**

(22) Filed: **Dec. 8, 2009**

(51) **LOC (9) Cl.** ..... **14-03**

(52) **U.S. Cl.** ..... **D14/253**

(58) **Field of Classification Search** ..... D14/140,  
D14/140.1, 142, 144, 145, 147-151, 217,  
D14/224, 229, 240, 242, 243, 252, 253, 299,  
D14/447, 483, 214, 224.1, 227, 434, 218,  
D14/216, 191, 496, 451, 452, 130, 159, 146;  
D13/107-108, 168; 361/679.41; 439/534;  
320/10, 115, 116, 107; D10/65; D8/354,  
D8/355, 363; D12/415; 379/449, 455, 165;  
248/122.1, 127, 157, 205.8, 206.2, 279.1,  
248/205.5, 309.1, 309.3, 352; 369/1

See application file for complete search history.

(56) **References Cited**

**U.S. PATENT DOCUMENTS**

D121,715 S *	7/1940	Conlon	.....	D14/251
D227,786 S *	7/1973	Taylor	.....	D14/227
D251,426 S *	3/1979	Molyneux	.....	D14/229
4,923,154 A *	5/1990	Konkel	.....	248/131
D361,334 S *	8/1995	Chan	.....	D14/251
D361,768 S *	8/1995	Chen	.....	D14/251
D363,492 S *	10/1995	Brussing	.....	D14/251
D413,110 S *	8/1999	Sweere et al.	.....	D14/447
D491,952 S *	6/2004	Oddsens et al.	.....	D14/447
D499,092 S *	11/2004	Fan	.....	D14/253
D499,093 S *	11/2004	Chen	.....	D14/253
D508,916 S *	8/2005	Lee	.....	D14/447

D526,996 S *	8/2006	Sbordon, Jr.	.....	D14/253
D549,709 S *	8/2007	Richter	.....	D14/447
D557,259 S *	12/2007	Hirsch	.....	D14/217
D560,592 S *	1/2008	Brassard	.....	D12/415
7,357,361 B2 *	4/2008	Yen	.....	248/205.8
D570,836 S *	6/2008	Chen	.....	D14/253
D592,205 S *	5/2009	O'Brien	.....	D14/253
D592,206 S *	5/2009	O'Brien	.....	D14/253
D593,988 S *	6/2009	Liu et al.	.....	D14/149
D606,545 S *	12/2009	Salmon	.....	D14/434
D614,613 S *	4/2010	Kim et al.	.....	D14/253
D623,642 S *	9/2010	Wang	.....	D14/253
2004/0011932 A1 *	1/2004	Duff	.....	248/157
2010/0320341 A1 *	12/2010	Baumann et al.	.....	248/206.2

\* cited by examiner

*Primary Examiner* — Robert M Spear

*Assistant Examiner* — Carla Jobe Wright

(74) *Attorney, Agent, or Firm* — Tejpal S. Hansra

(57) **CLAIM**

The ornamental design for a stand, as shown and described.

**DESCRIPTION**

FIG. 1 is an isometric view of a stand showing our new design with an environmental handheld mobile electronic device shown in broken lines;

FIG. 2 is a front view thereof with an environmental handheld mobile electronic device shown in broken lines;

FIG. 3 is a right side view thereof with an environmental handheld mobile electronic device shown in broken lines;

FIG. 4 is a left side view thereof shown without the environmental handheld mobile electronic device;

FIG. 5 is a back view thereof;

FIG. 6 is a top view thereof; and,

FIG. 7 is a bottom view thereof.

The broken lines in FIGS. 1-3 depict unclaimed environment in which the stand may be used. The broken lines in FIG. 5 depict unclaimed features of the stand.

**1 Claim, 6 Drawing Sheets**

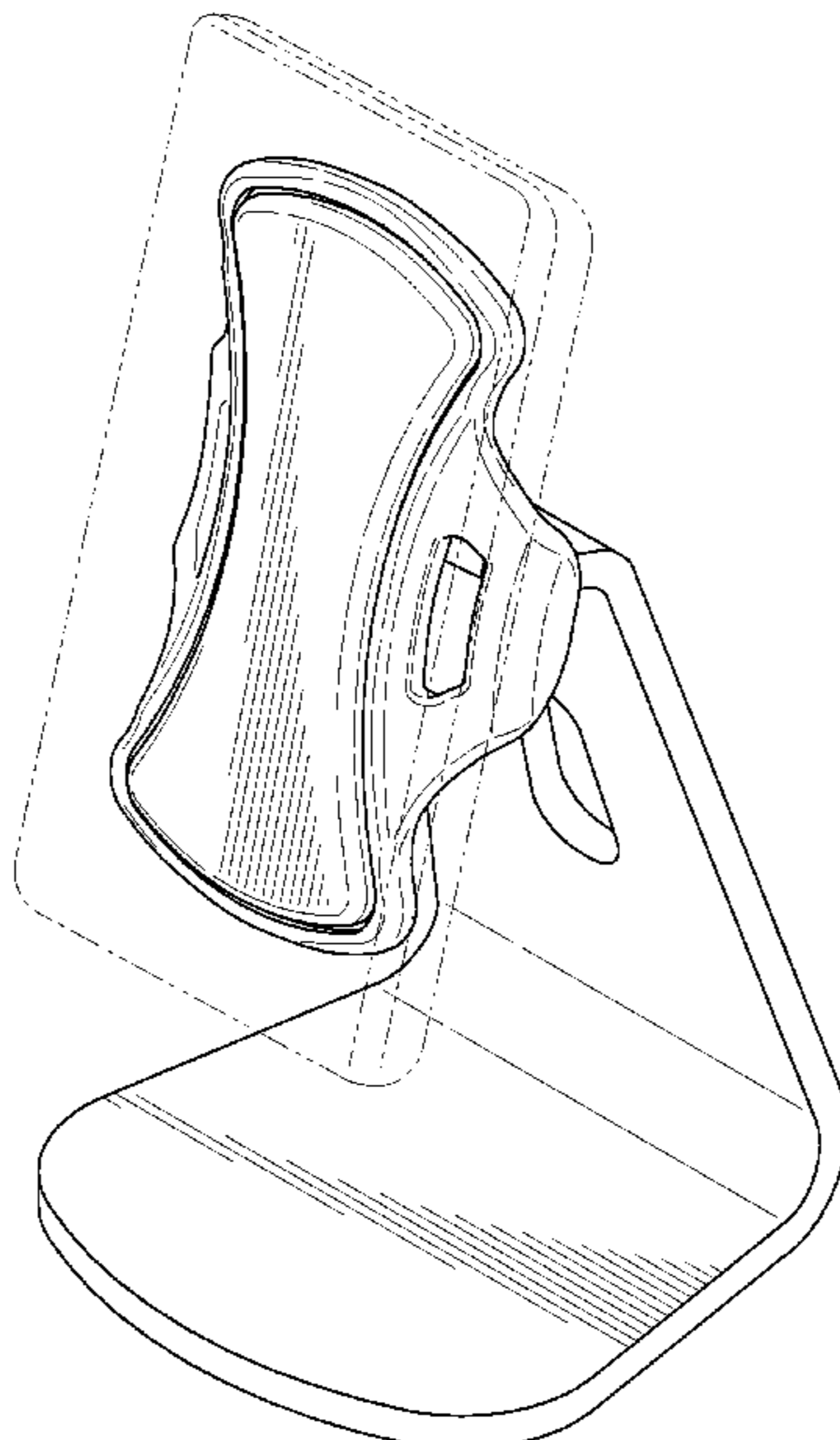


FIG. 1

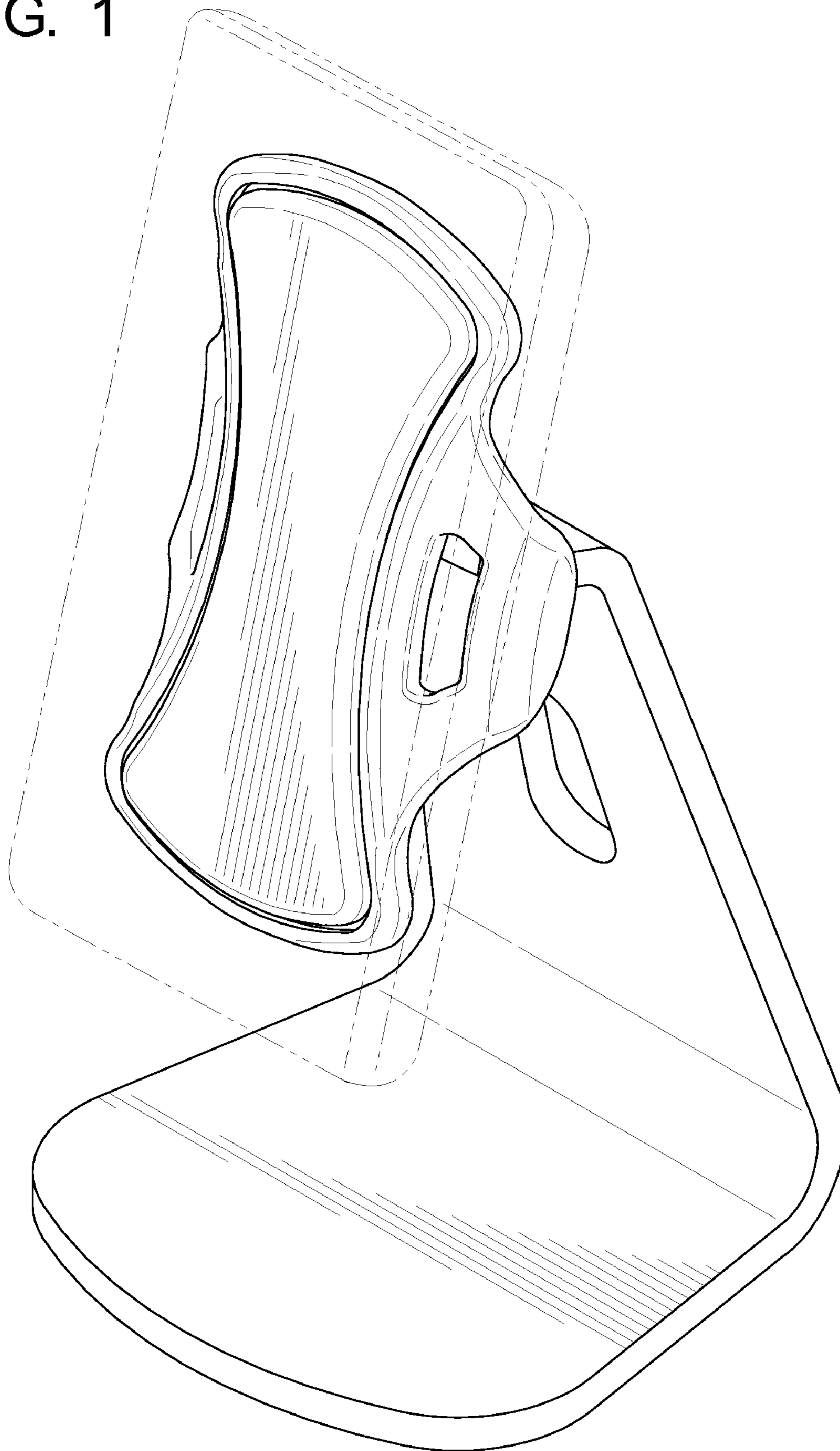


FIG. 2

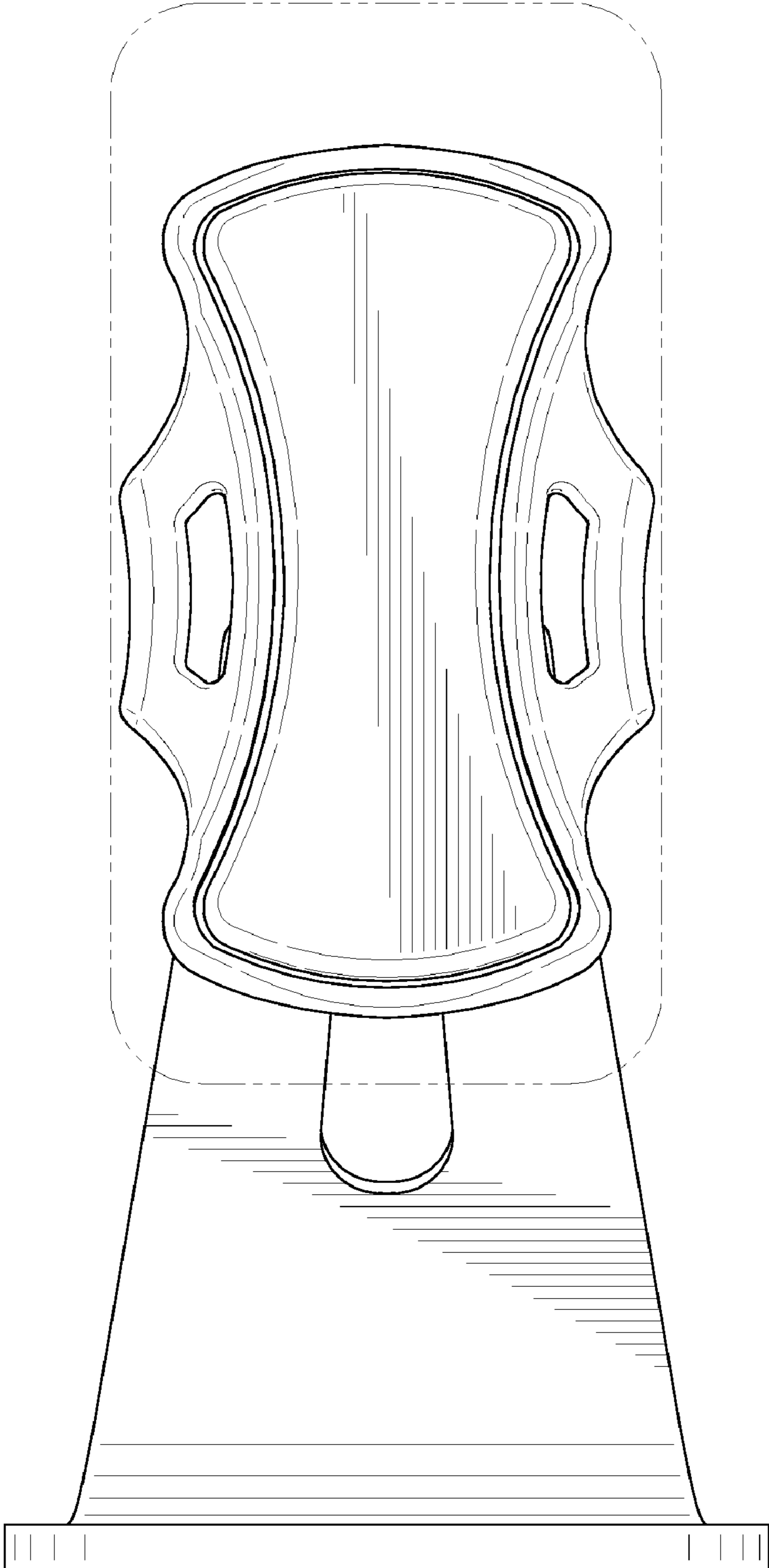


FIG. 3

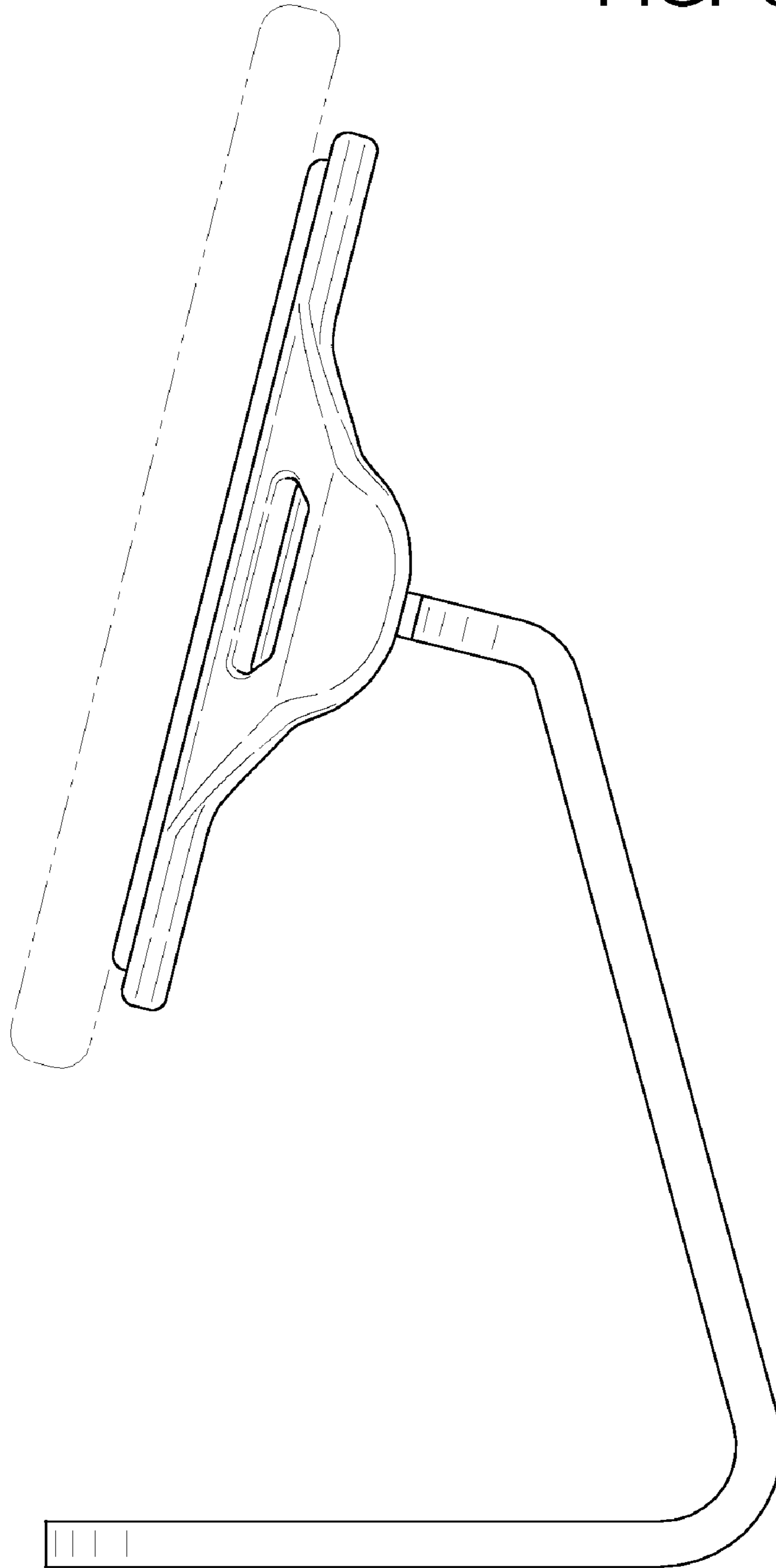


FIG. 4

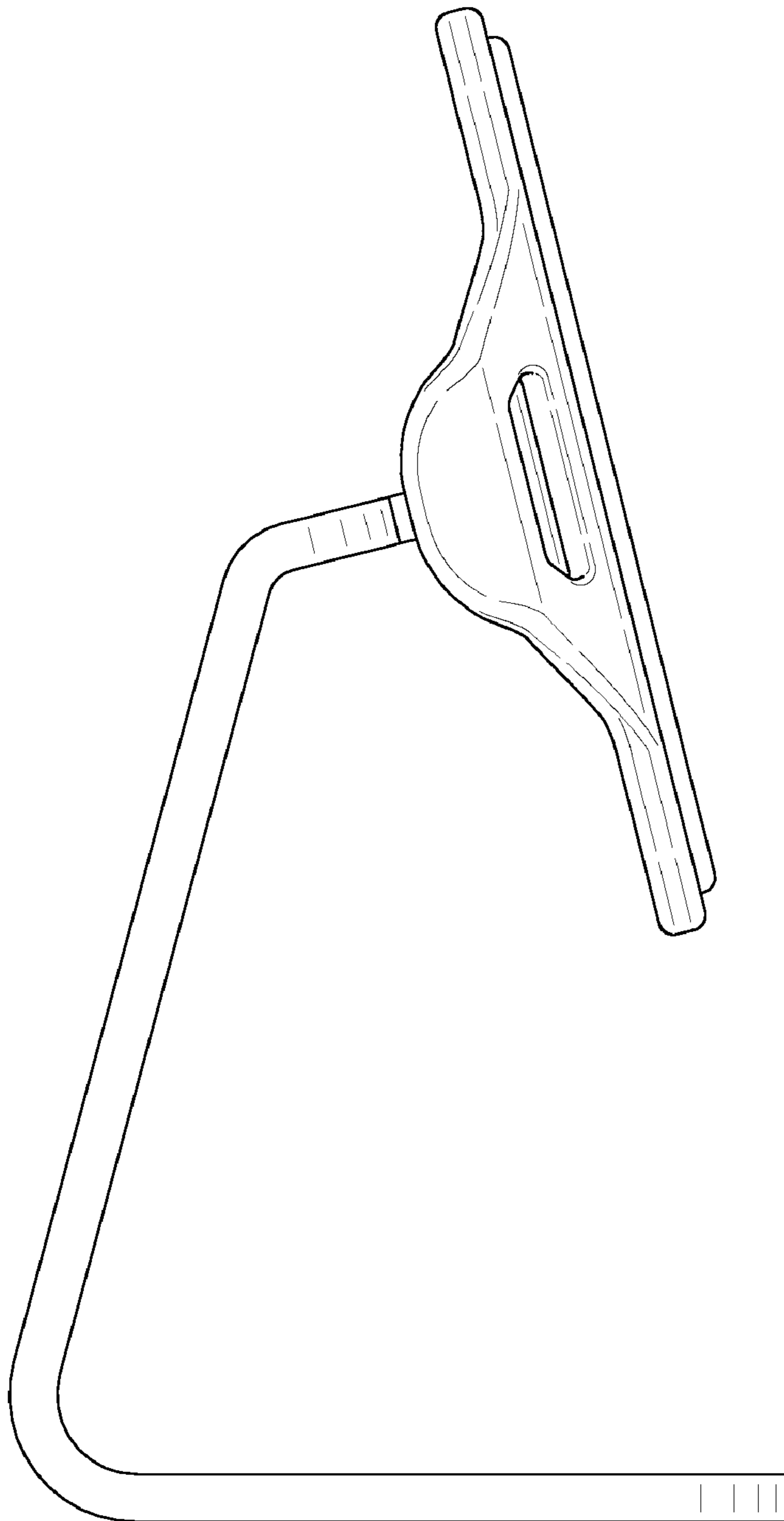


FIG. 5

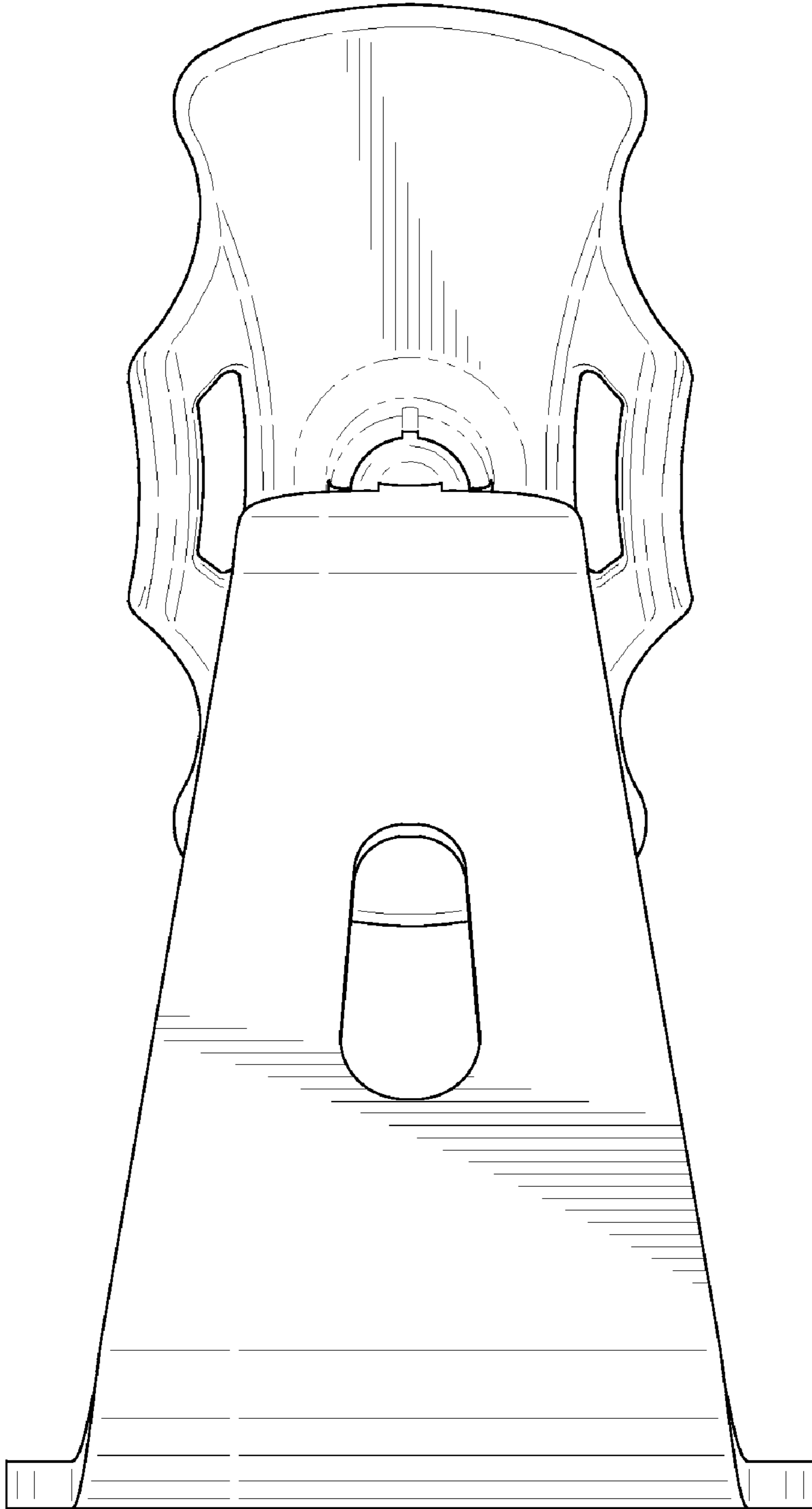


FIG. 6

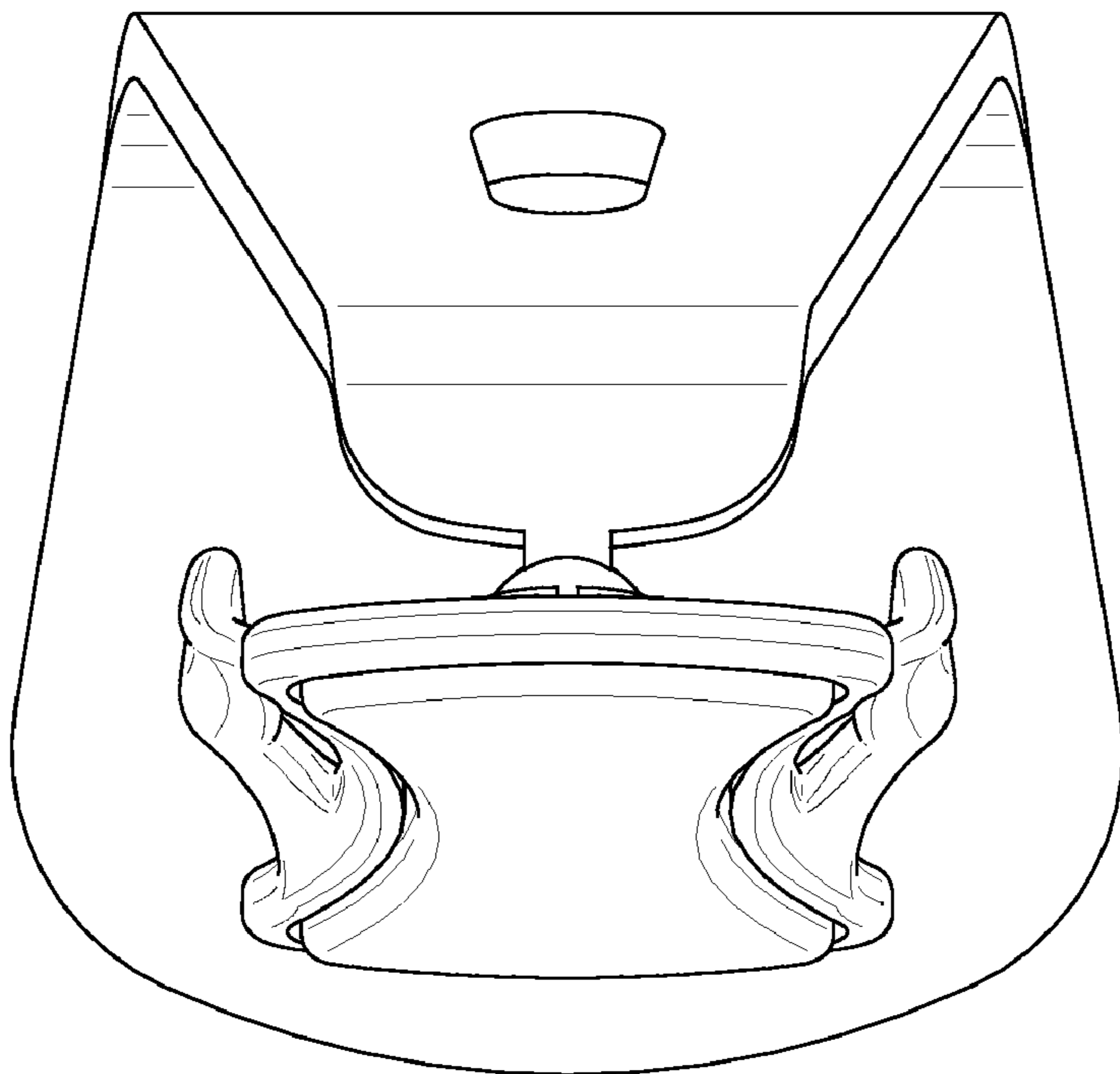


FIG. 7

