



US00D640245S

(12) **United States Design Patent**
Sadatsuki

(10) **Patent No.:** **US D640,245 S**

(45) **Date of Patent:** **** Jun. 21, 2011**

(54) **KEYPAD FOR A MOBILE PHONE**

(75) Inventor: **Koichi Sadatsuki**, Tokyo (JP)

(73) Assignee: **Sony Ericsson Mobile Communications AB**, Lund (SE)

(**) Term: **14 Years**

(21) Appl. No.: **29/378,641**

(22) Filed: **Nov. 8, 2010**

(30) **Foreign Application Priority Data**

Jun. 21, 2010 (EM) 001220834-0003

(51) **LOC (9) Cl.** **14-03**

(52) **U.S. Cl.** **D14/247**

(58) **Field of Classification Search** D14/247-248,
D14/138 R, 138 AD, 138 AC, 138 C, 138 G,
D14/191, 203.1-203.8, 496, 144, 244, 432,
D14/439, 455, 456, 138 AA, 138 AB, 137,
D14/147, 218, 341-347; D10/65, 78, 104;
D13/168; D18/7; 455/566, 575.1, 575.3;
345/169

See application file for complete search history.

(56) **References Cited**

U.S. PATENT DOCUMENTS

D402,317 S *	12/1998	Goto	D21/333
D432,178 S *	10/2000	Goto	D21/330
D434,087 S *	11/2000	Goto	D21/330
D443,877 S *	6/2001	Goto	D14/413
D502,945 S *	3/2005	Huang et al.	D14/341
D510,576 S *	10/2005	Summit et al.	D14/341
D529,493 S *	10/2006	Ogasawara	D14/356
D532,051 S *	11/2006	Sugino et al.	D21/330
D537,064 S *	2/2007	Kim et al.	D14/138 AA
D542,763 S *	5/2007	Kim et al.	D14/138 AA
D554,635 S *	11/2007	Chung et al.	D14/341
D558,719 S *	1/2008	Choi et al.	D14/138 AA
D558,720 S *	1/2008	Lee et al.	D14/138 AD
D603,363 S *	11/2009	Choi et al.	D14/138 AB

7,711,397 B2 *	5/2010	Kim	455/575.1
D619,991 S *	7/2010	Huang	D14/138 G
D620,054 S *	7/2010	Yano	D21/329
D622,245 S *	8/2010	Okada et al.	D14/138 G
2005/0107142 A1 *	5/2005	Soejima	455/575.3
2007/0184882 A1 *	8/2007	Kim	455/575.4
2007/0191078 A1 *	8/2007	Kim	455/575.4
2007/0191115 A1 *	8/2007	Lai	463/47
2007/0202956 A1 *	8/2007	Ogasawara et al.	463/46
2008/0039157 A1 *	2/2008	Park	455/575.1
2009/0305783 A1 *	12/2009	Yoshino et al.	463/31
2010/0210311 A1 *	8/2010	Ahn et al.	455/566

OTHER PUBLICATIONS

Sony Ericsson PlayStation Phone, comment posted Oct. 28, 2010, [online], [retrieved on Oct. 29, 2010]. Retrieved from Internet , <URL: <http://www.gsmarena.com>>.*

(Continued)

Primary Examiner — Bridget L Eland

(74) *Attorney, Agent, or Firm* — Renner, Otto, Boisselle & Sklar, LLP

(57) **CLAIM**

The ornamental design for a keypad for a mobile phone, as shown and described.

DESCRIPTION

FIG. 1 is a perspective view of a keypad for a mobile phone showing my design;

FIG. 2 is a front view thereof;

FIG. 3 is a rear view thereof;

FIG. 4 is a left side view thereof;

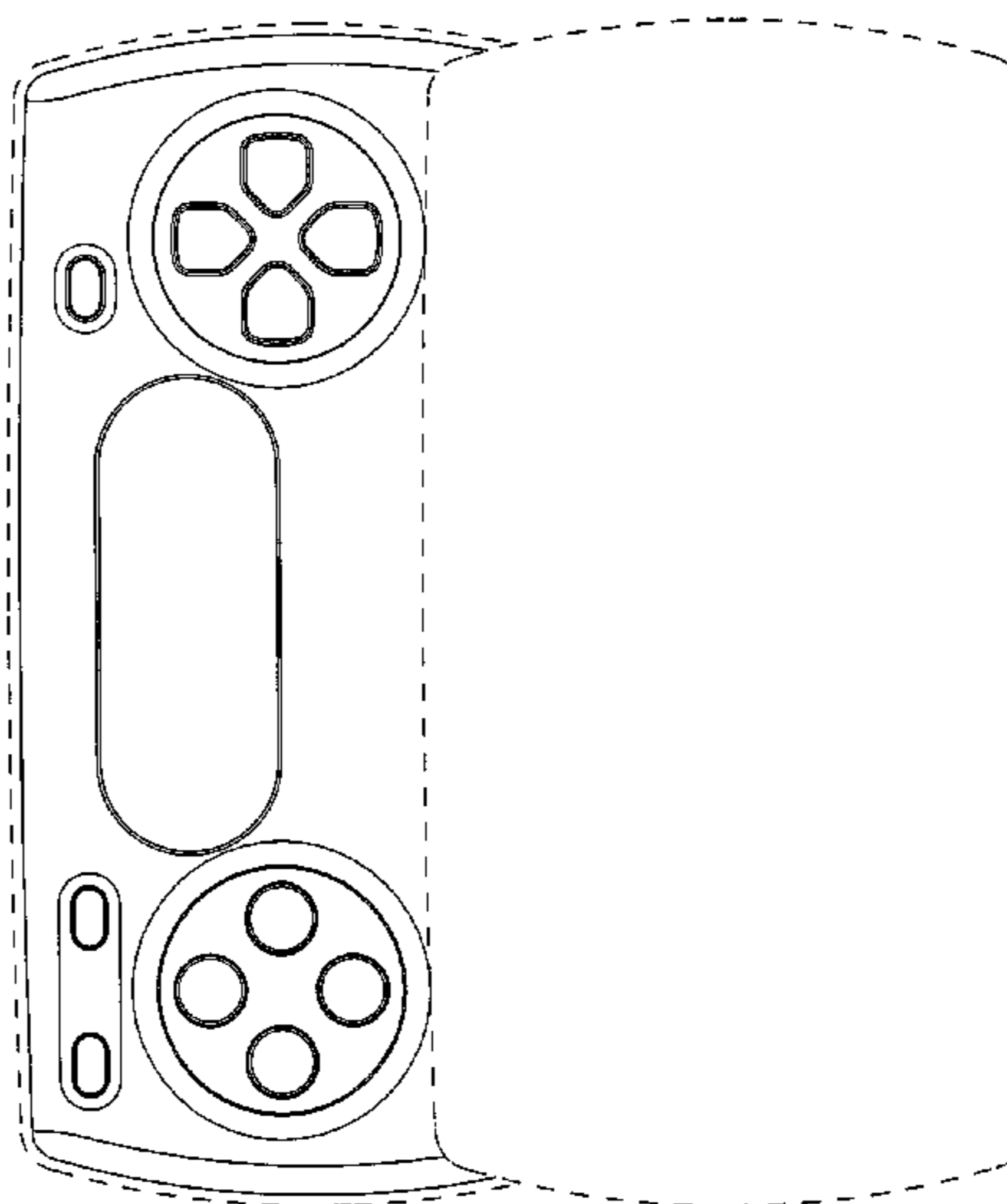
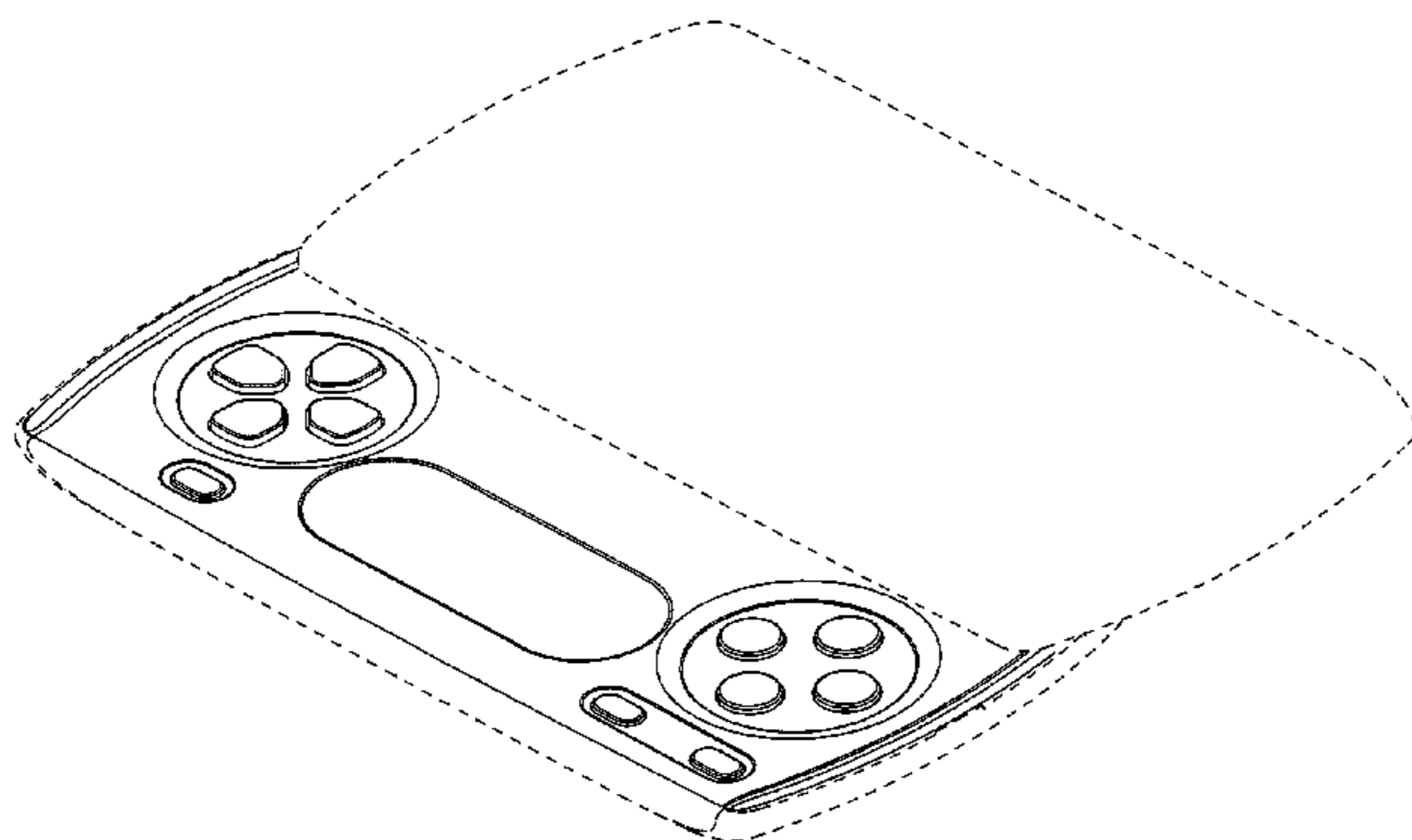
FIG. 5 is a right side view thereof

FIG. 6 is a top view thereof; and,

FIG. 7 is a bottom view thereof.

The broken line showing of the remainder of the mobile phone is directed to environment and is for illustrative purposes only; the broken lines form no part of the claimed design.

1 Claim, 5 Drawing Sheets



OTHER PUBLICATIONS

Sony Ericsson Xperia Play CDMA, announced Feb. 2011, [online], [retrieved on Feb. 17, 2011]. Retrieved from Internet ,<URL: <http://www.gsmarena.com>>.*

Sony Ericsson Xperia Play, announced Feb. 2011, [online], [retrieved on Feb. 17, 2011]. Retrieved from Internet ,<URL: <http://www.gsmarena.com>>.*

* cited by examiner

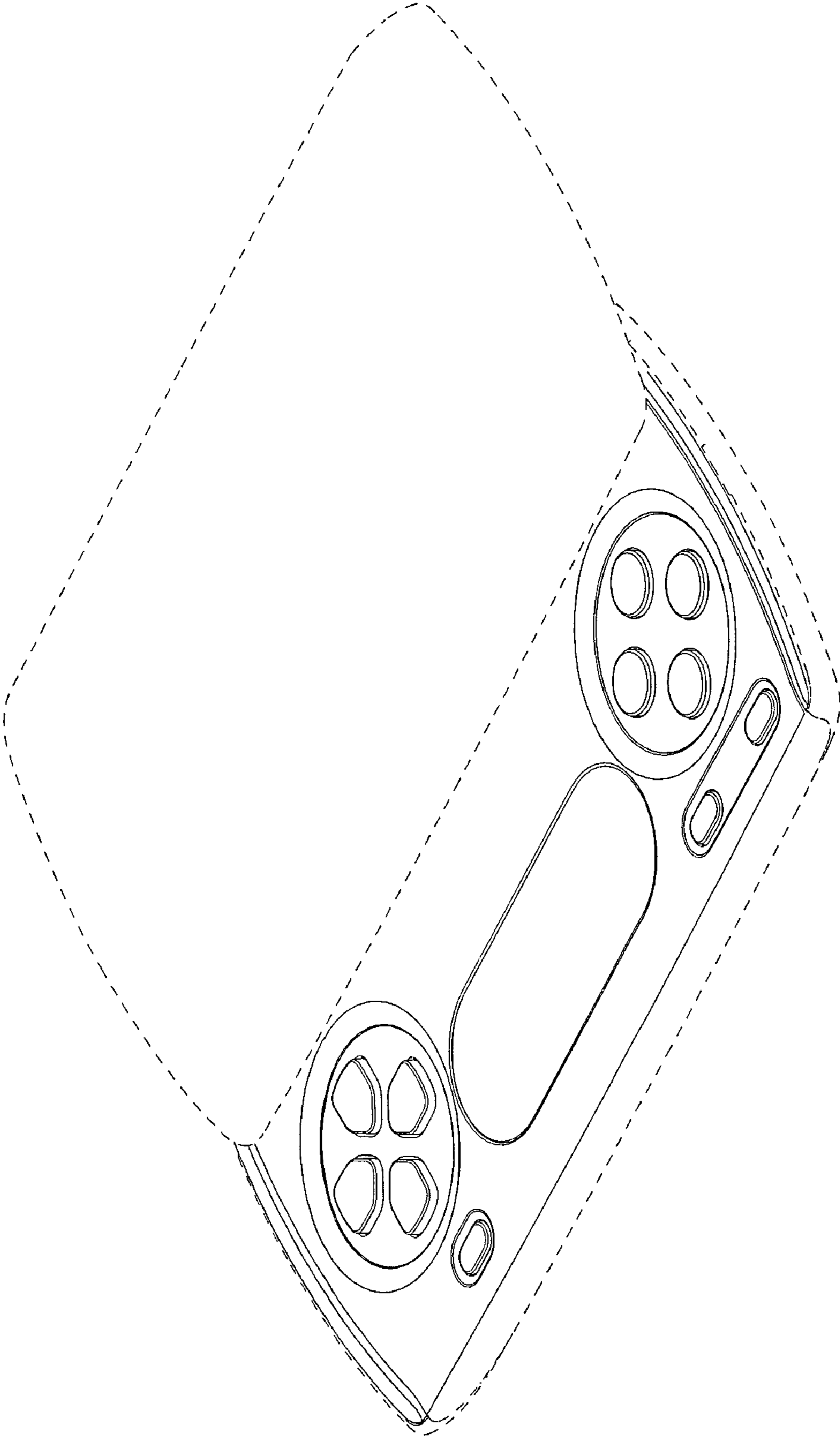


FIG. 1

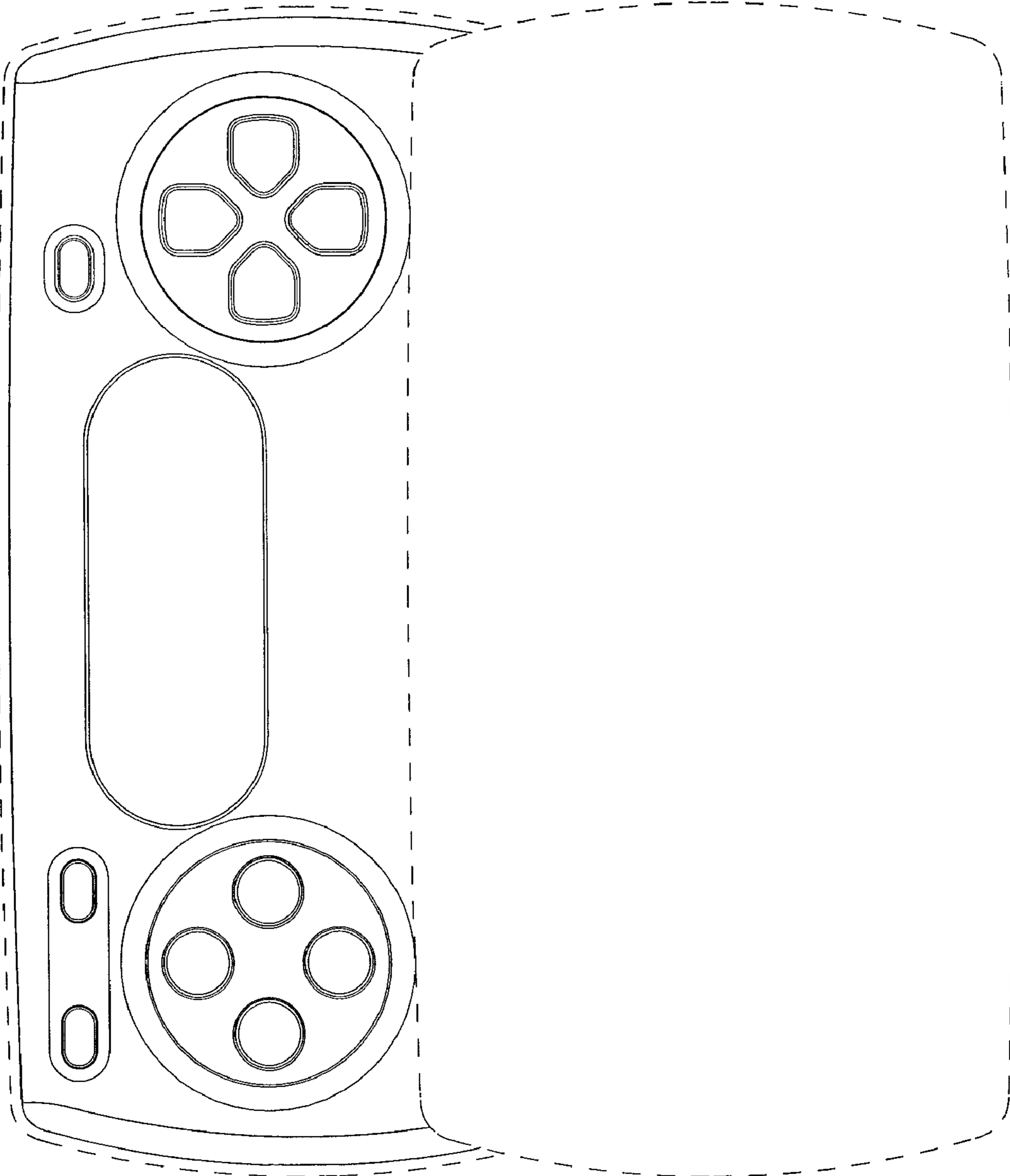


FIG. 2

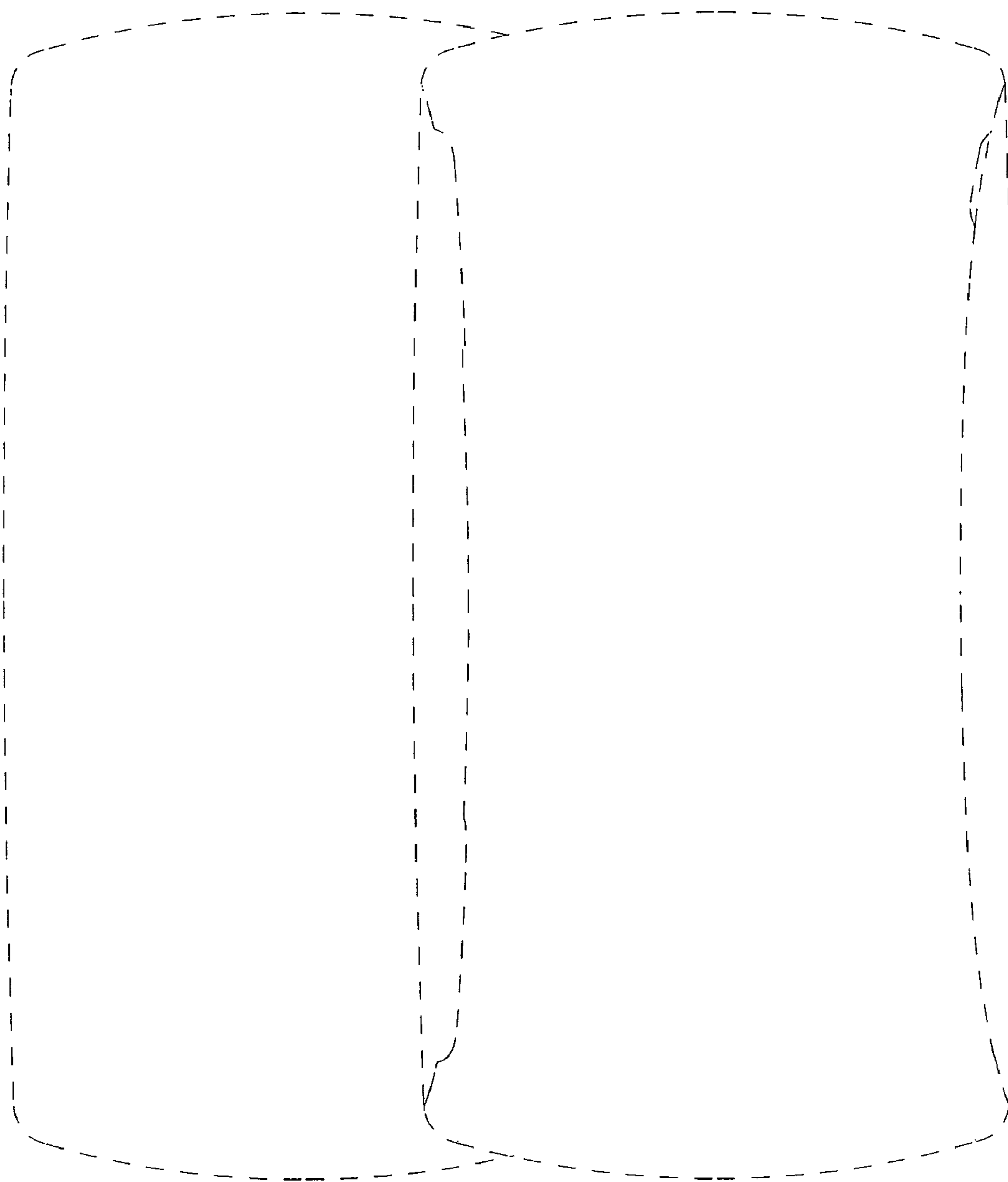


FIG. 3

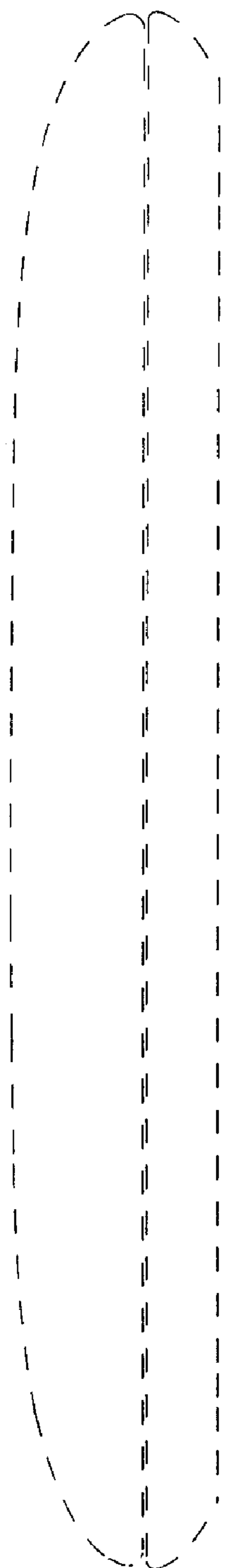


FIG. 4

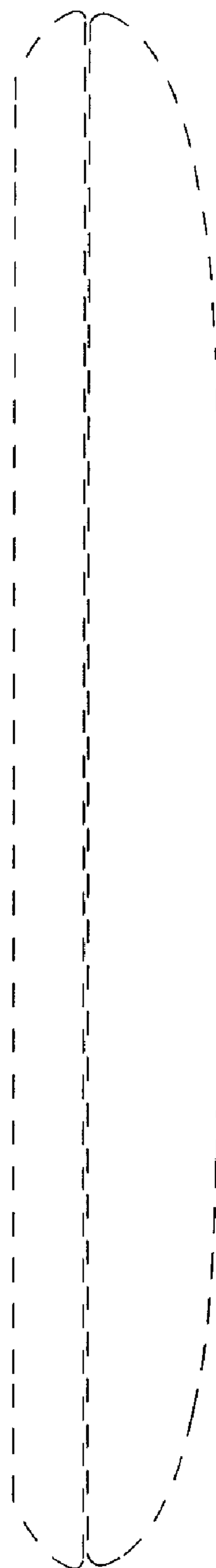


FIG. 5

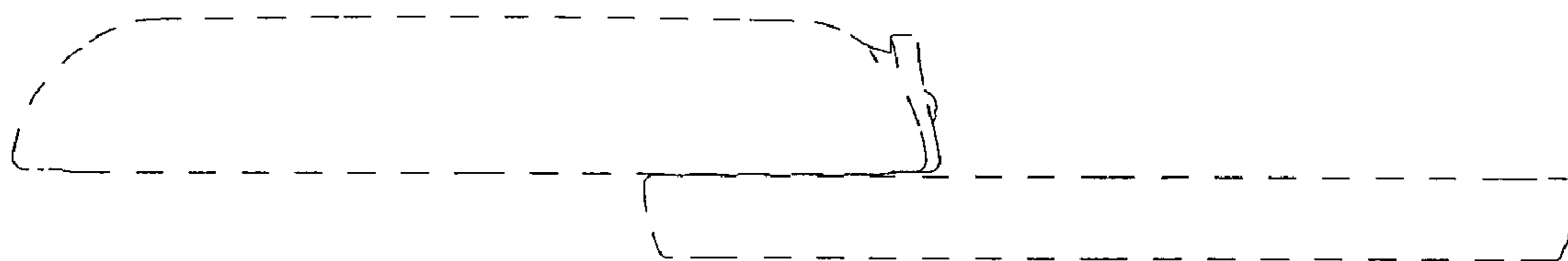


FIG. 6

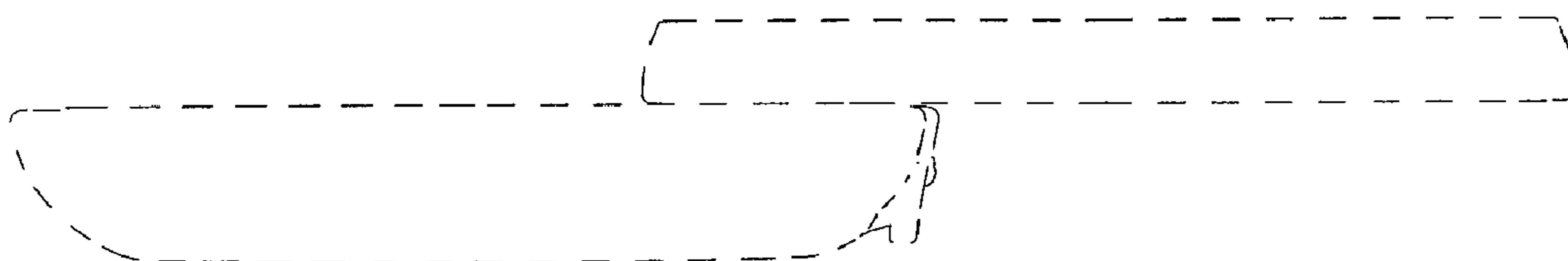


FIG. 7