



US00D640242S

(12) **United States Design Patent**
Fahrendorff et al.

(10) **Patent No.:** **US D640,242 S**
(45) **Date of Patent:** **** Jun. 21, 2011**

(54) **HEADSET**

(75) Inventors: **Anders Fahrendorff**, Ottawa (CA);
Todd Andrew Wood, Guelph (CA);
Brian Dennis Paschke, Toronto (CA);
Leonardo Aldana, Waterloo (CA)

(73) Assignee: **Research in Motion Limited**, Waterloo,
Ontario (CA)

(**) Term: **14 Years**

(21) Appl. No.: **29/366,594**

(22) Filed: **Jul. 27, 2010**

(51) **LOC (9) Cl.** **14-01**

(52) **U.S. Cl.** **D14/223**

(58) **Field of Classification Search** D14/205,
D14/206, 223; 181/129, 130, 135; 379/430,
379/431, 433.01, 428.01, 420.01; 381/380,
381/381, 370, 371, 374, 376, 378; 2/209,
2/423; D24/174; 455/90.3, 569.1, 575.2;
D29/112; 128/866, 867

See application file for complete search history.

(56) **References Cited**

U.S. PATENT DOCUMENTS

5,867,582 A * 2/1999 Nagayoshi 381/370
6,922,476 B2 * 7/2005 Nassimi 381/380
7,079,664 B2 * 7/2006 Nassimi 381/380

D538,271 S * 3/2007 Kim et al. D14/223
D550,215 S * 9/2007 Udagawa et al. D14/223
D568,301 S * 5/2008 Kim et al. D14/223
D581,396 S * 11/2008 Wikel et al. D14/206
D582,897 S * 12/2008 Christopher et al. D14/223
D588,113 S * 3/2009 Bradford D14/223
D590,377 S * 4/2009 Bradford D14/223
D598,900 S * 8/2009 Wikel et al. D14/223
D603,378 S * 11/2009 Paradise D14/223
D604,722 S * 11/2009 Mistry D14/223
7,639,825 B2 * 12/2009 Fukuda 381/151
D616,873 S * 6/2010 Olivier D14/223
D618,221 S * 6/2010 Fahrendorff et al. D14/223
D620,927 S * 8/2010 Li D14/223
D629,396 S * 12/2010 Andre et al. D14/223

* cited by examiner

Primary Examiner — Paula Greene

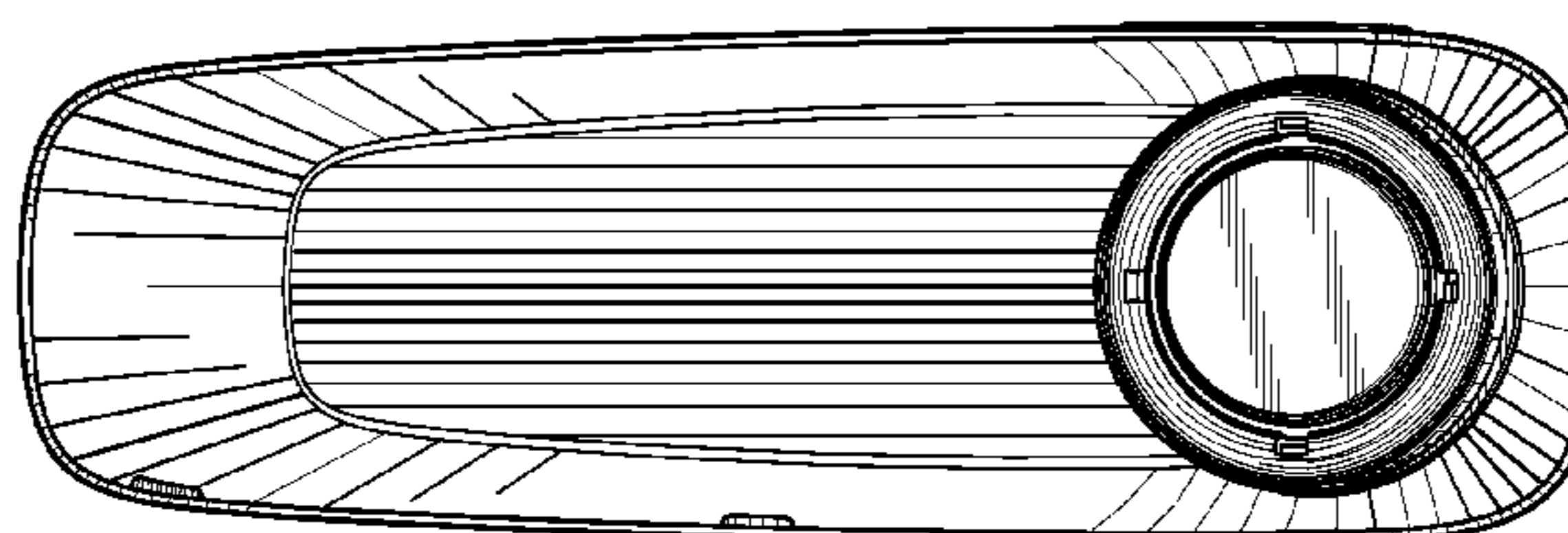
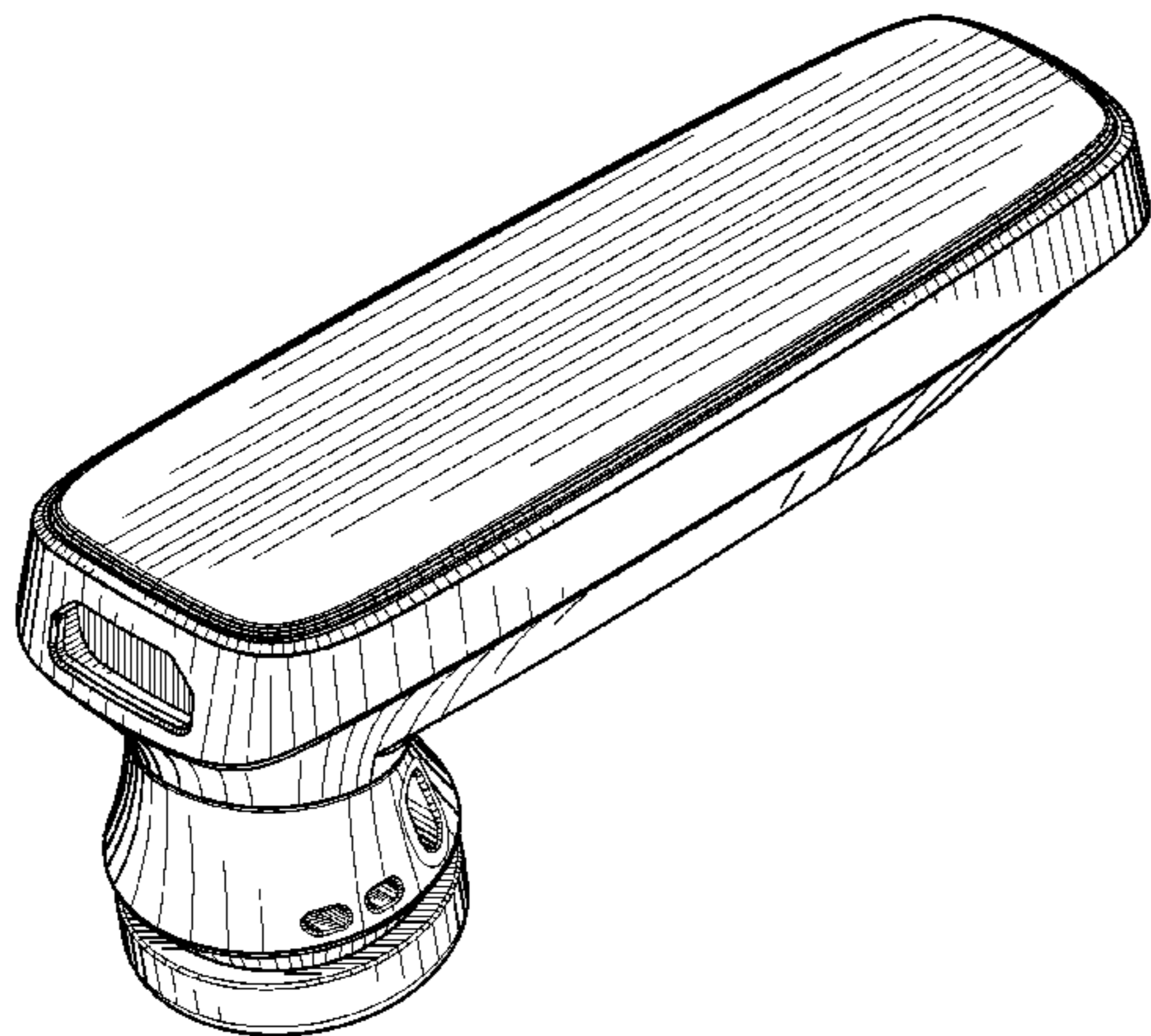
(57) **CLAIM**

We claim the ornamental design for a headset, as shown and described.

DESCRIPTION

FIG. 1 is a front perspective view of a headset;
FIG. 2 is a back perspective view of the headset;
FIG. 3 is a top plan view thereof;
FIG. 4 is a bottom plan view thereof;
FIG. 5 is a left elevational view thereof;
FIG. 6 is a right elevational view thereof;
FIG. 7 is a front elevational view thereof; and,
FIG. 8 is a back elevational view thereof.

1 Claim, 4 Drawing Sheets



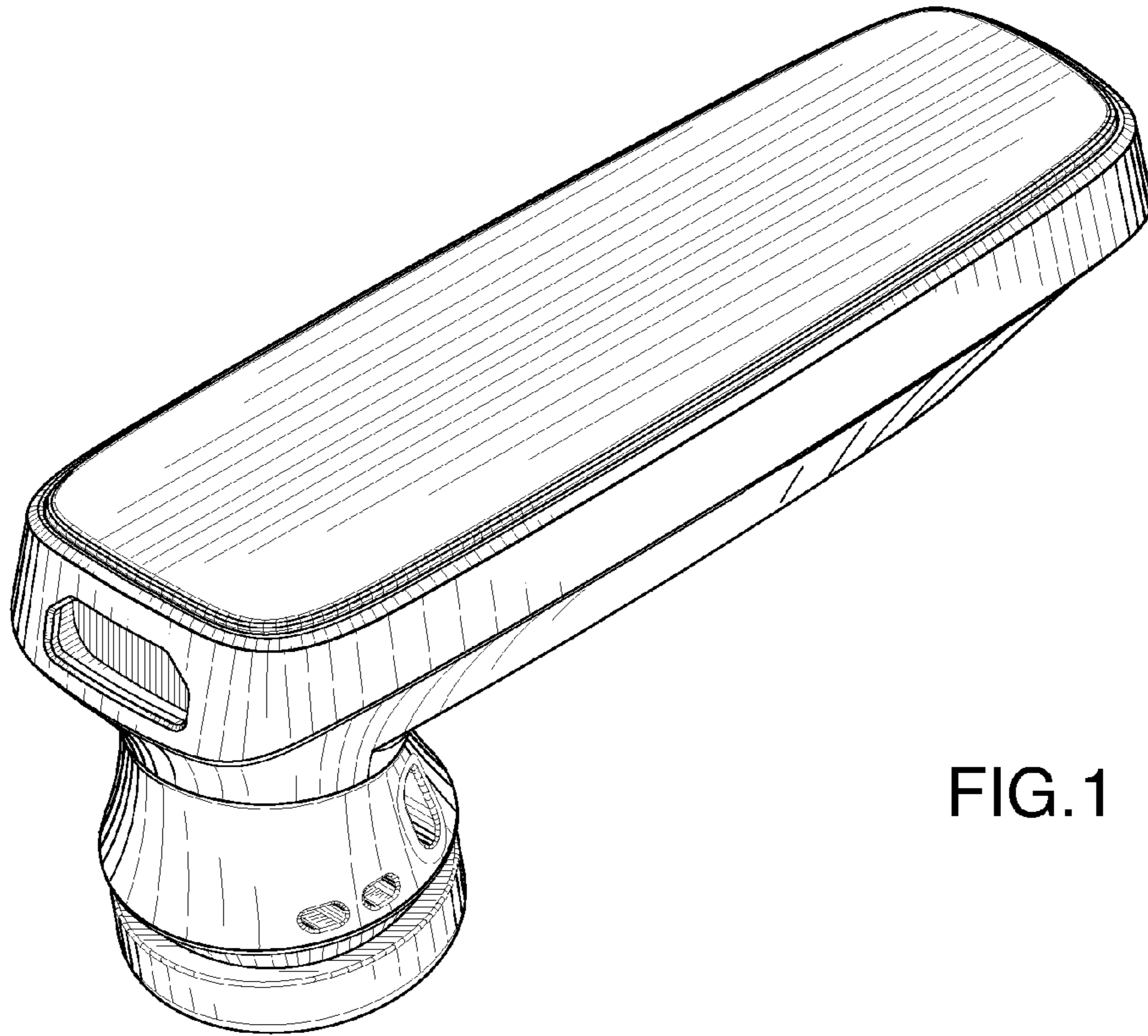


FIG. 1

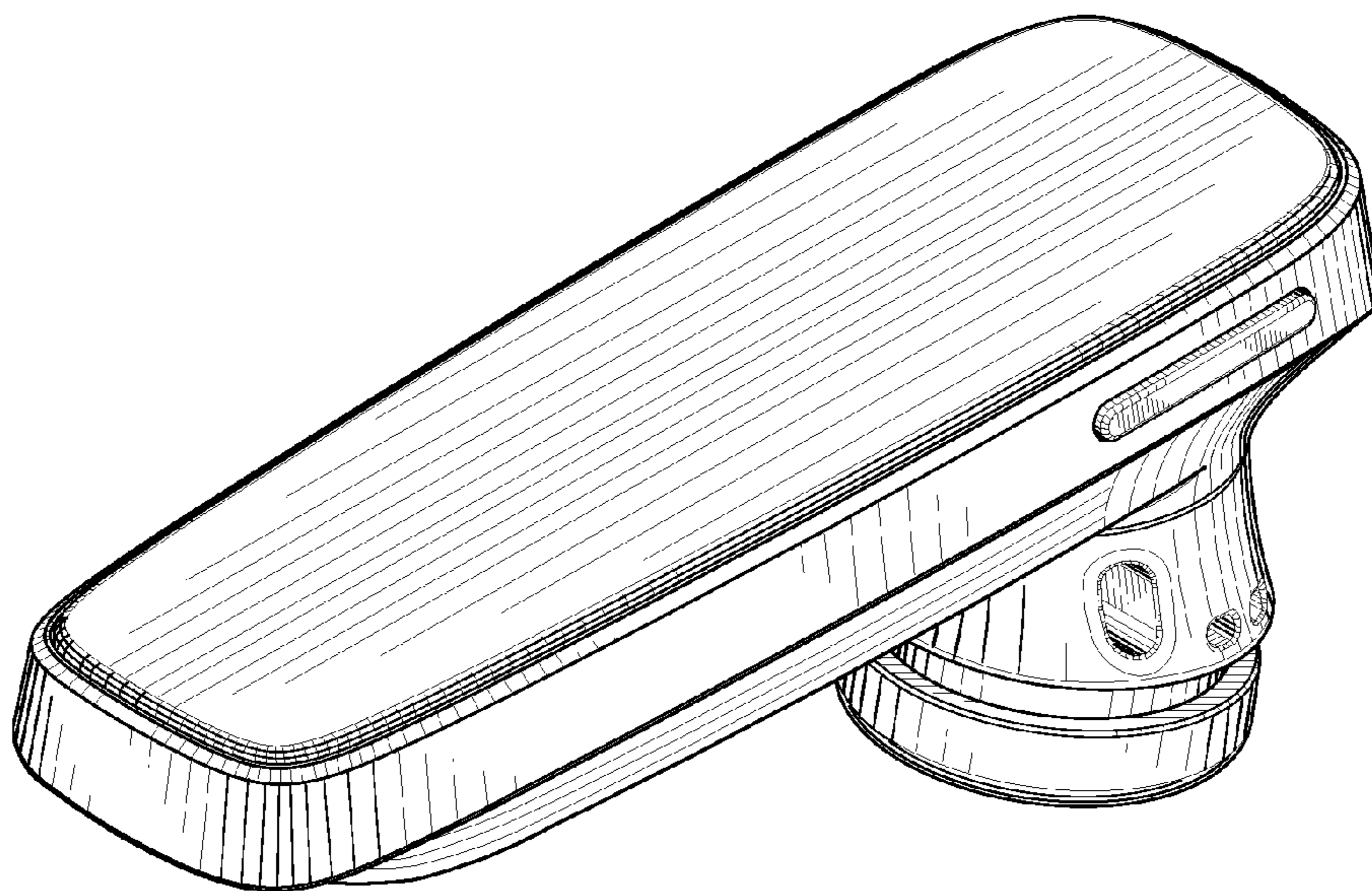


FIG. 2



FIG.3

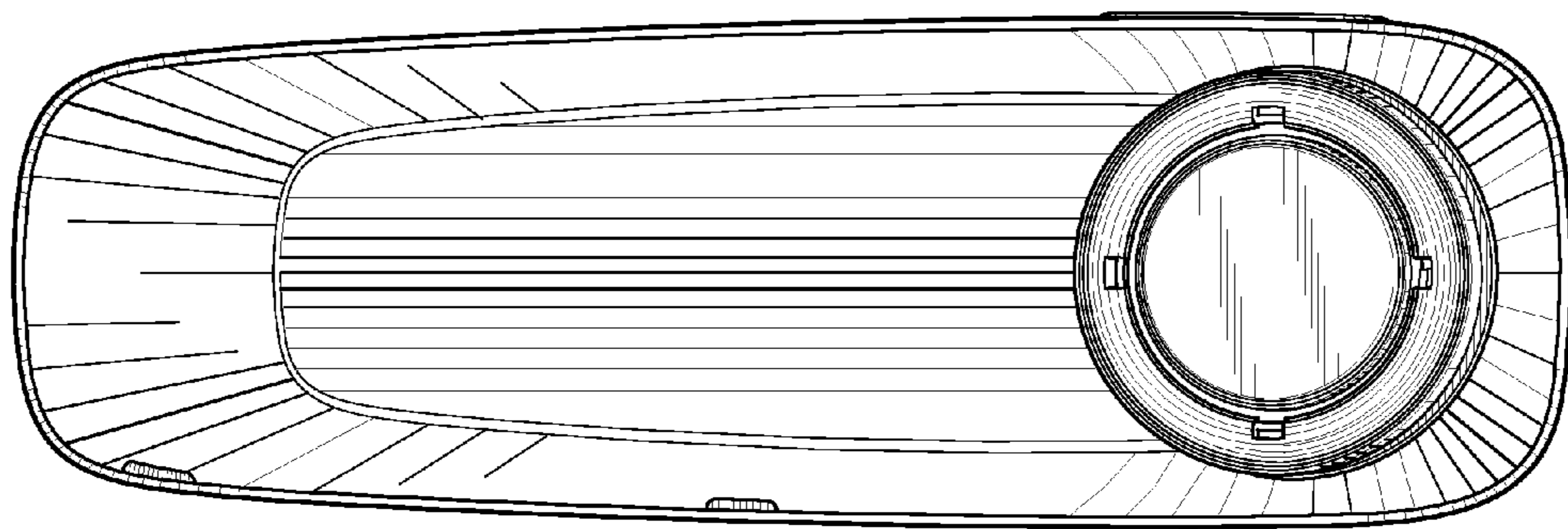


FIG.4

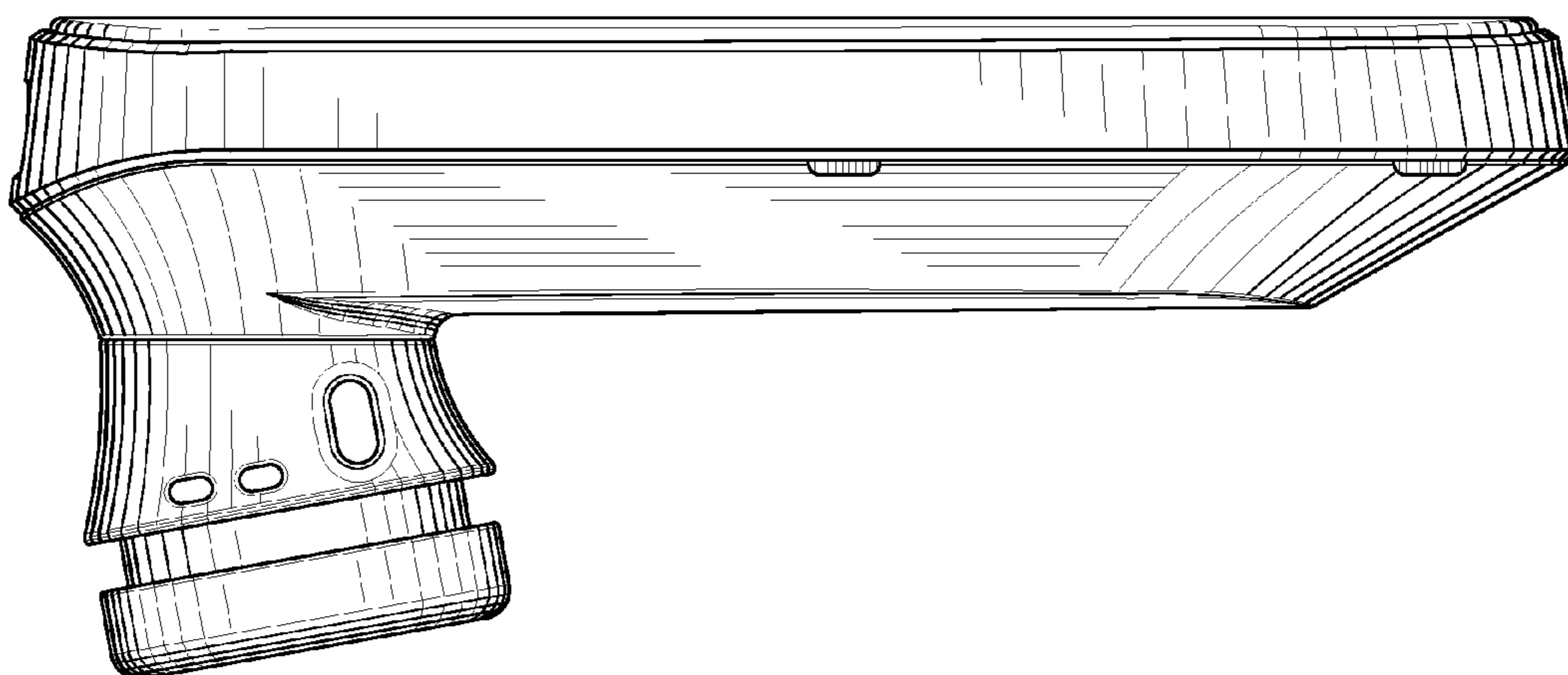


FIG. 5

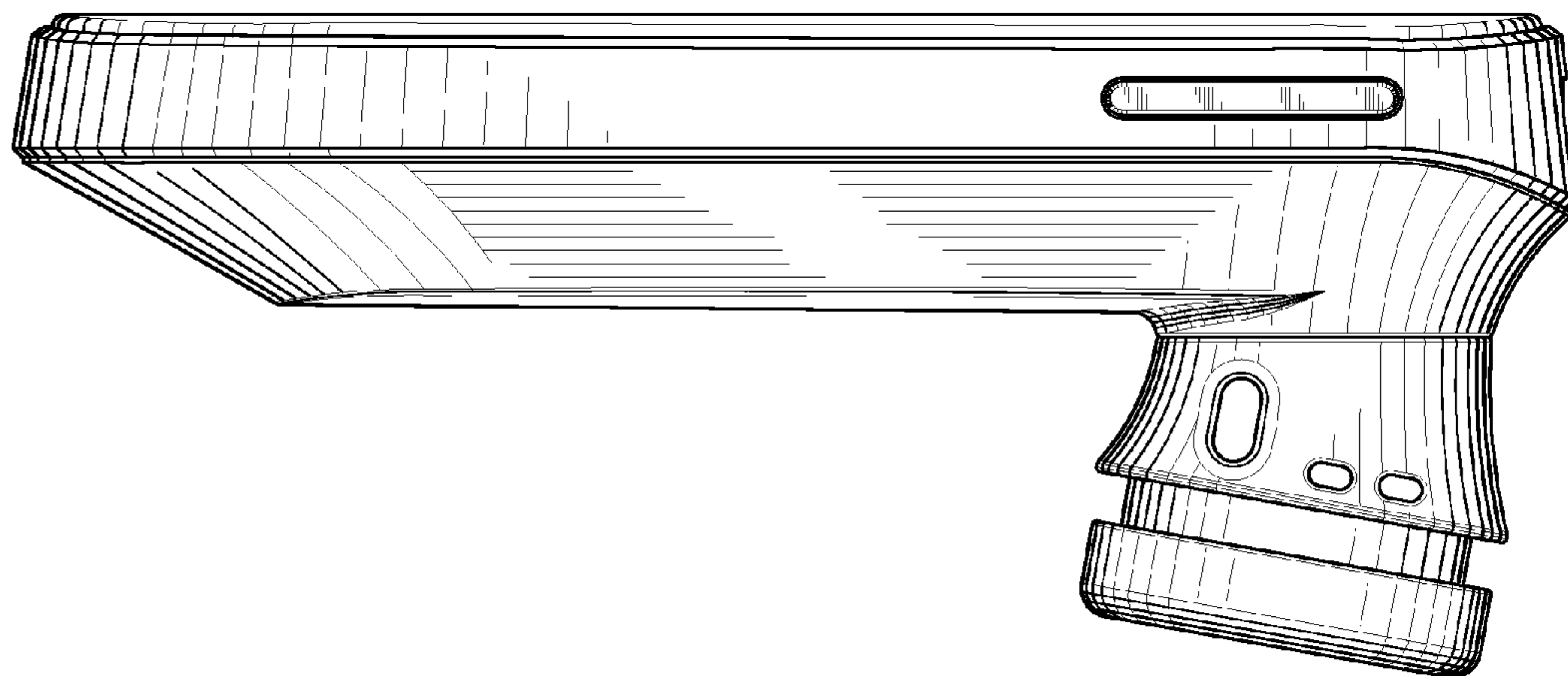


FIG. 6

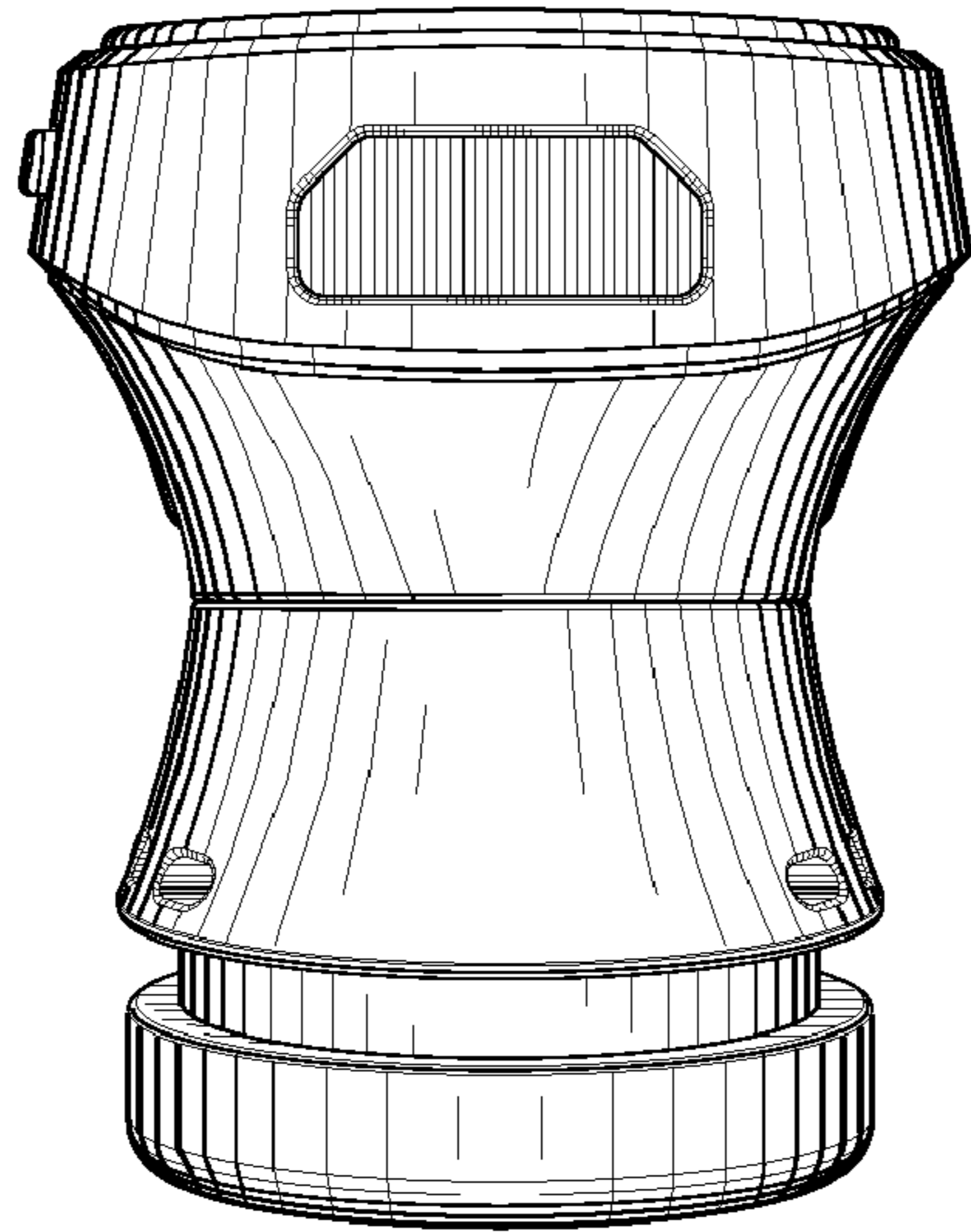


FIG.7

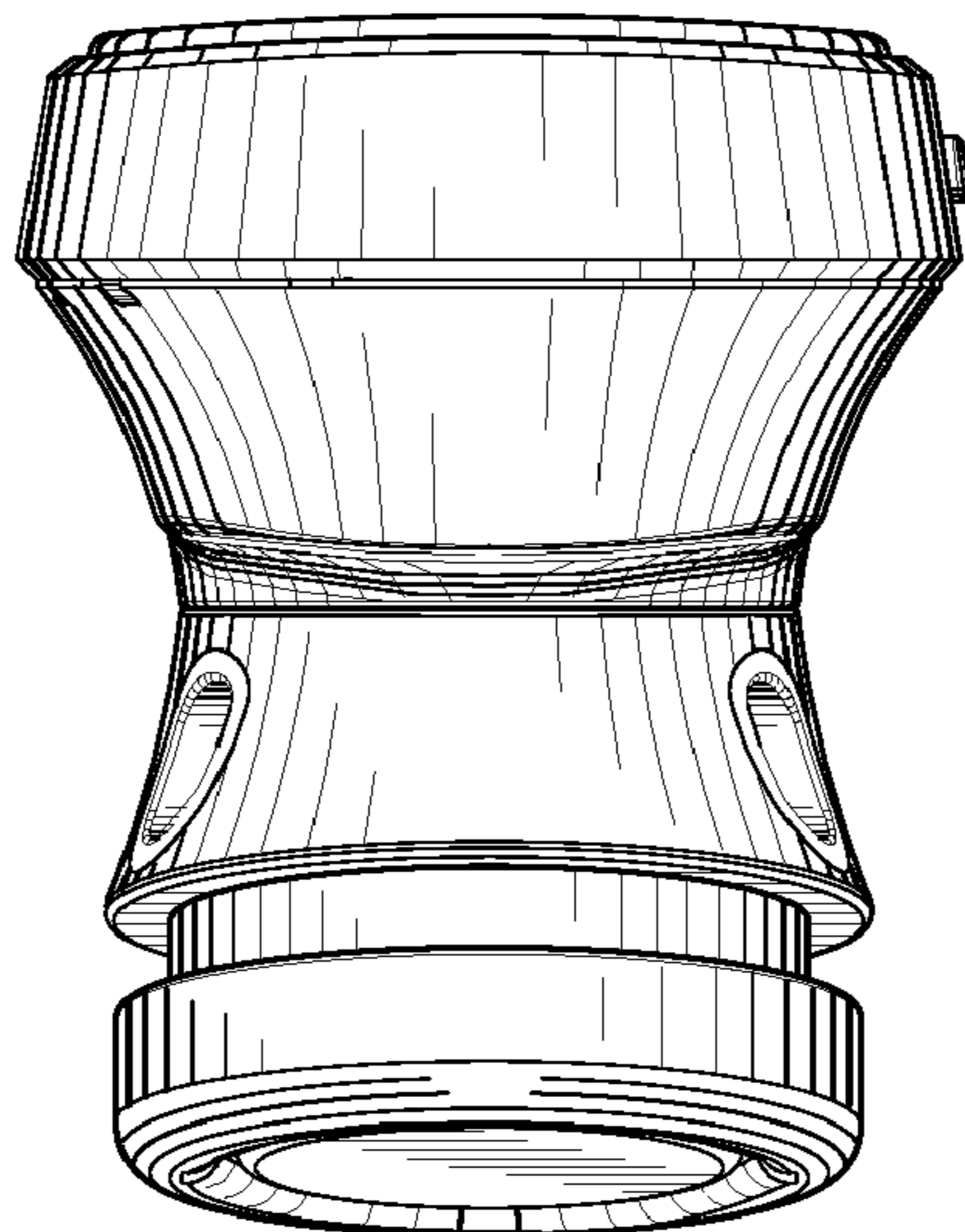


FIG.8