



US00D640241S

(12) **United States Design Patent**
Wai

(10) **Patent No.:** **US D640,241 S**

(45) **Date of Patent:** **** *Jun. 21, 2011**

(54) **SOUND AMPLIFICATION EAR DEVICE WITH EAR PHONE**

(76) Inventor: **Victor Kingsun Wai, Sui Lam NT (HK)**

(*) Notice: This patent is subject to a terminal disclaimer.

(**) Term: **14 Years**

(21) Appl. No.: **29/350,229**

(22) Filed: **Nov. 12, 2009**

(51) **LOC (9) Cl.** **14-01**

(52) **U.S. Cl.** **D14/223**

(58) **Field of Classification Search** D14/205, D14/206, 223, 240, 142, 192; 181/129, 130, 181/135; 379/430, 431, 433.01; 455/575.2, 455/575.3, 569.2; 191/12.4, 12 R; 381/182, 381/370, 374, 384

See application file for complete search history.

(56) **References Cited**

U.S. PATENT DOCUMENTS

4,942,617	A *	7/1990	Boylan	381/182
5,832,098	A *	11/1998	Chen	381/370
6,254,025	B1 *	7/2001	Liao	242/378.1
6,434,249	B1 *	8/2002	Wei	381/370
6,438,248	B1 *	8/2002	Kamimura et al.	381/374
D470,833	S *	2/2003	Rath et al.	D14/205
6,658,130	B2 *	12/2003	Huang	381/384
6,712,304	B1 *	3/2004	Taylor	242/379
6,731,956	B2 *	5/2004	Hanna et al.	455/569.1
D494,570	S *	8/2004	Ma	D14/223
D502,171	S *	2/2005	Tang et al.	D14/223

6,866,219	B2 *	3/2005	Wei	242/378.4
D509,210	S *	9/2005	Skulley et al.	D14/205
D509,823	S *	9/2005	Han et al.	D14/223
7,086,512	B2 *	8/2006	Shack et al.	191/12.4
D566,107	S *	4/2008	Bowling	D14/223
7,372,974	B2 *	5/2008	Yanagishita et al.	381/384
D582,899	S *	12/2008	Wai	D14/223
D583,362	S *	12/2008	Hsu et al.	D14/205
D591,274	S *	4/2009	Khubani	D14/223
D600,682	S *	9/2009	Wai	D14/223
D603,377	S *	11/2009	Chung	D14/223
D607,440	S *	1/2010	Yamakawa et al.	D14/225
D609,695	S *	2/2010	Cigliano et al.	D14/205
7,664,540	B2 *	2/2010	Tsai	455/575.2

* cited by examiner

Primary Examiner — Paula Greene

(74) *Attorney, Agent, or Firm* — Jellett Law PS

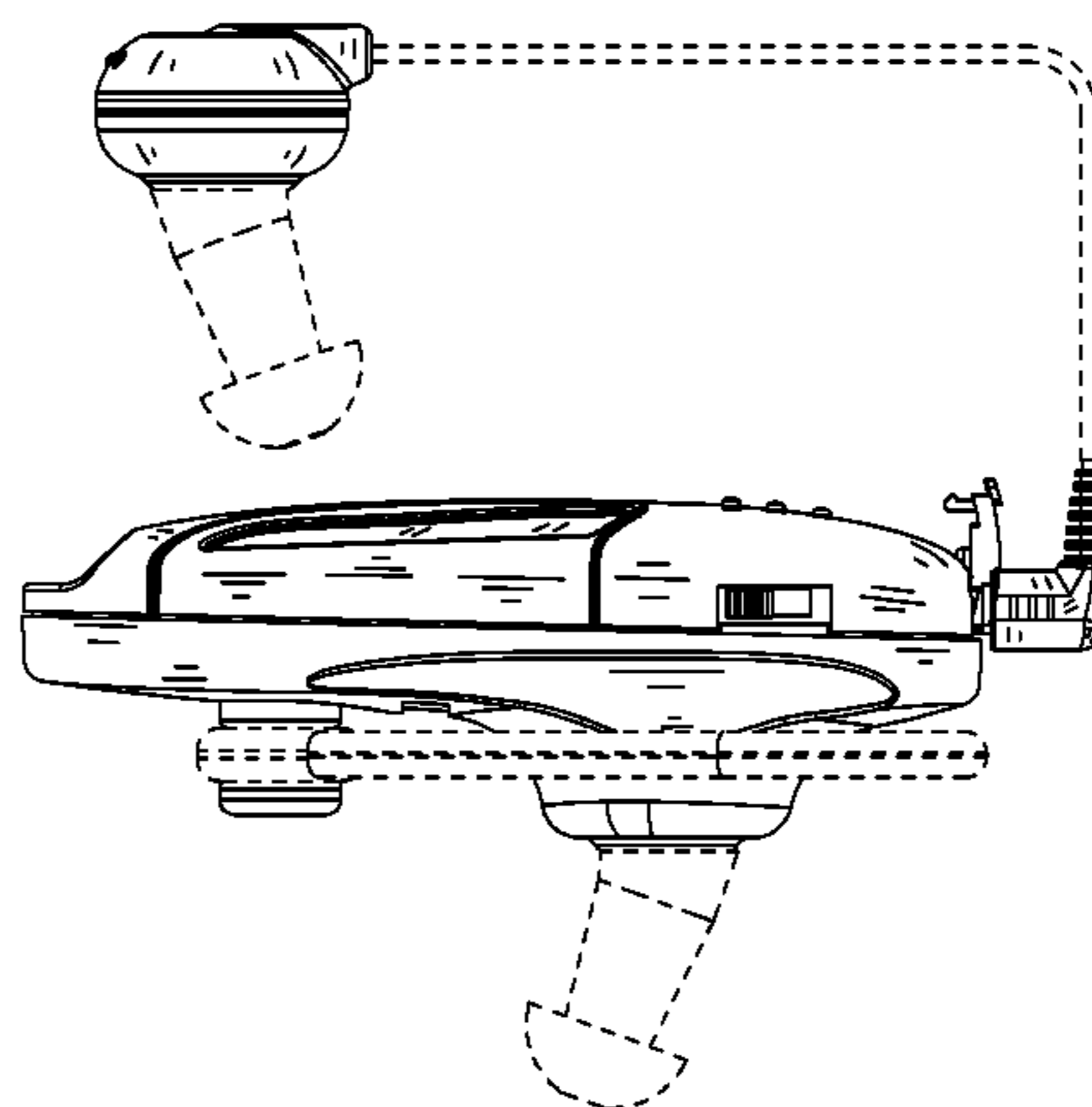
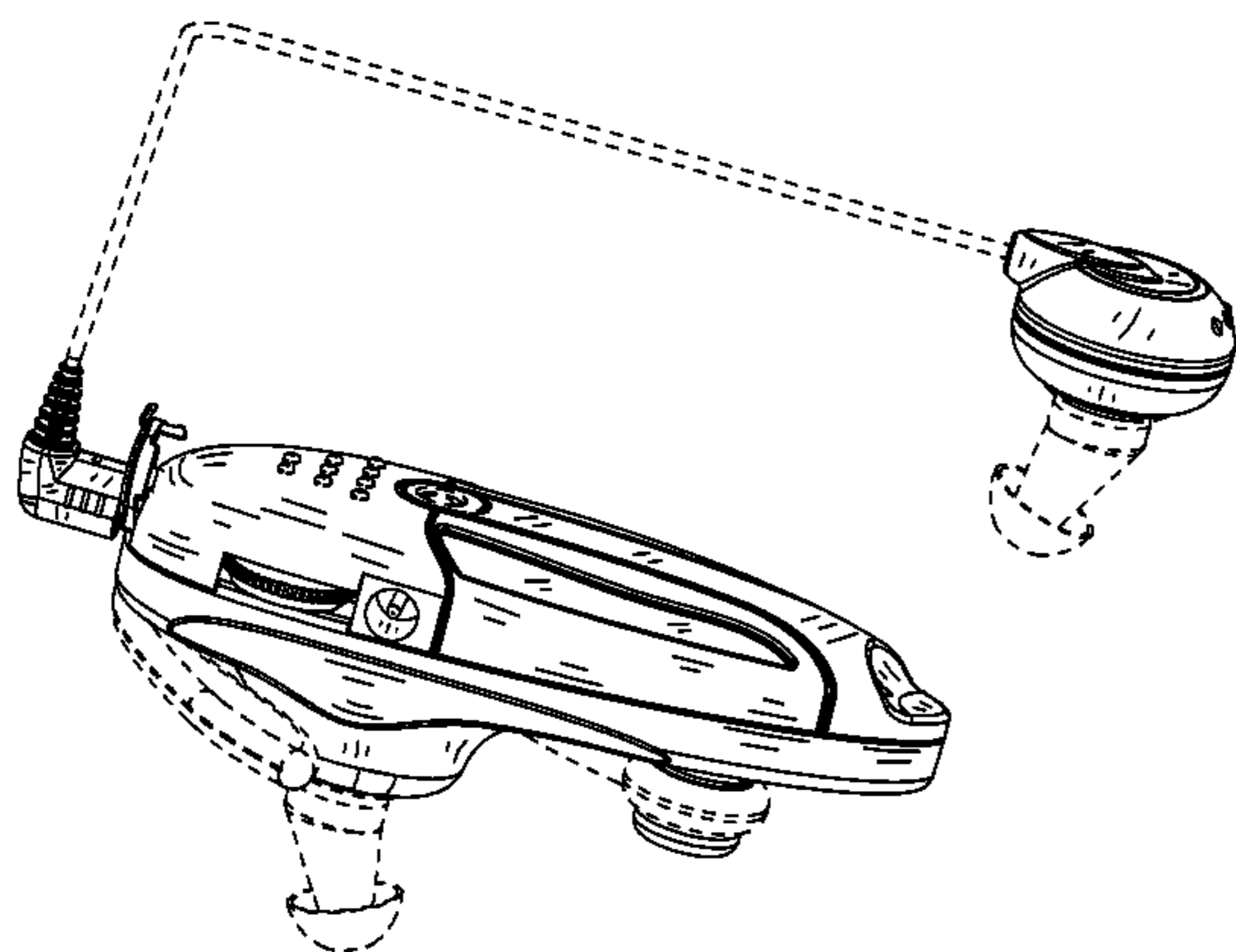
(57) **CLAIM**

The ornamental design for a sound amplification ear device with ear phone, as shown and described.

DESCRIPTION

FIG. 1 is a top perspective view of a sound amplification ear device with ear phone showing my new design; FIG. 2 is a bottom perspective view thereof; FIG. 3 is a first side elevation view thereof; FIG. 4 is a second side elevation view thereof; FIG. 5 is a top plan view thereof; FIG. 6 is a bottom plan view thereof; FIG. 7 is a rear elevation view thereof; and, FIG. 8 is a front side elevation view thereof. The broken lines form no part of the claimed design.

1 Claim, 4 Drawing Sheets



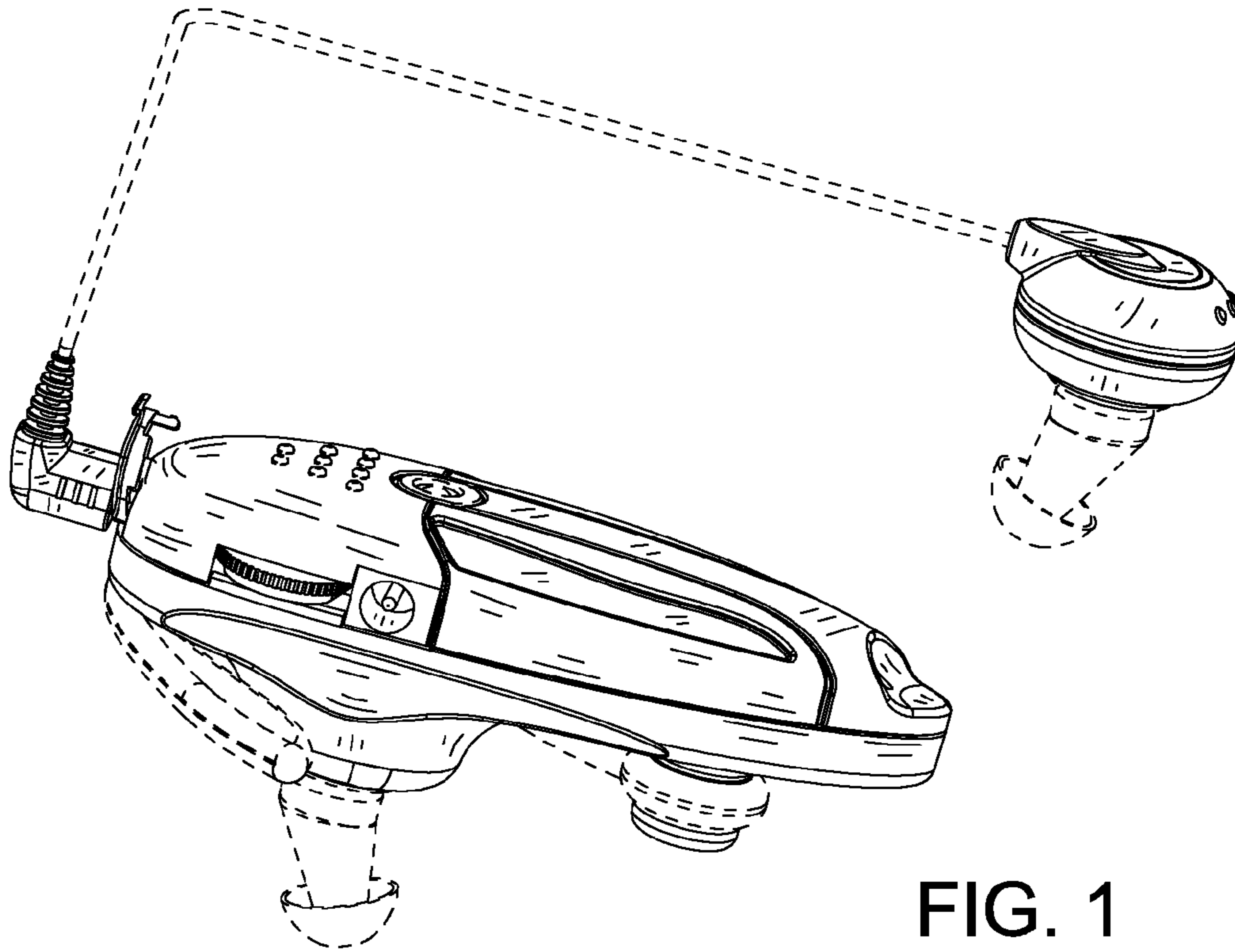


FIG. 1

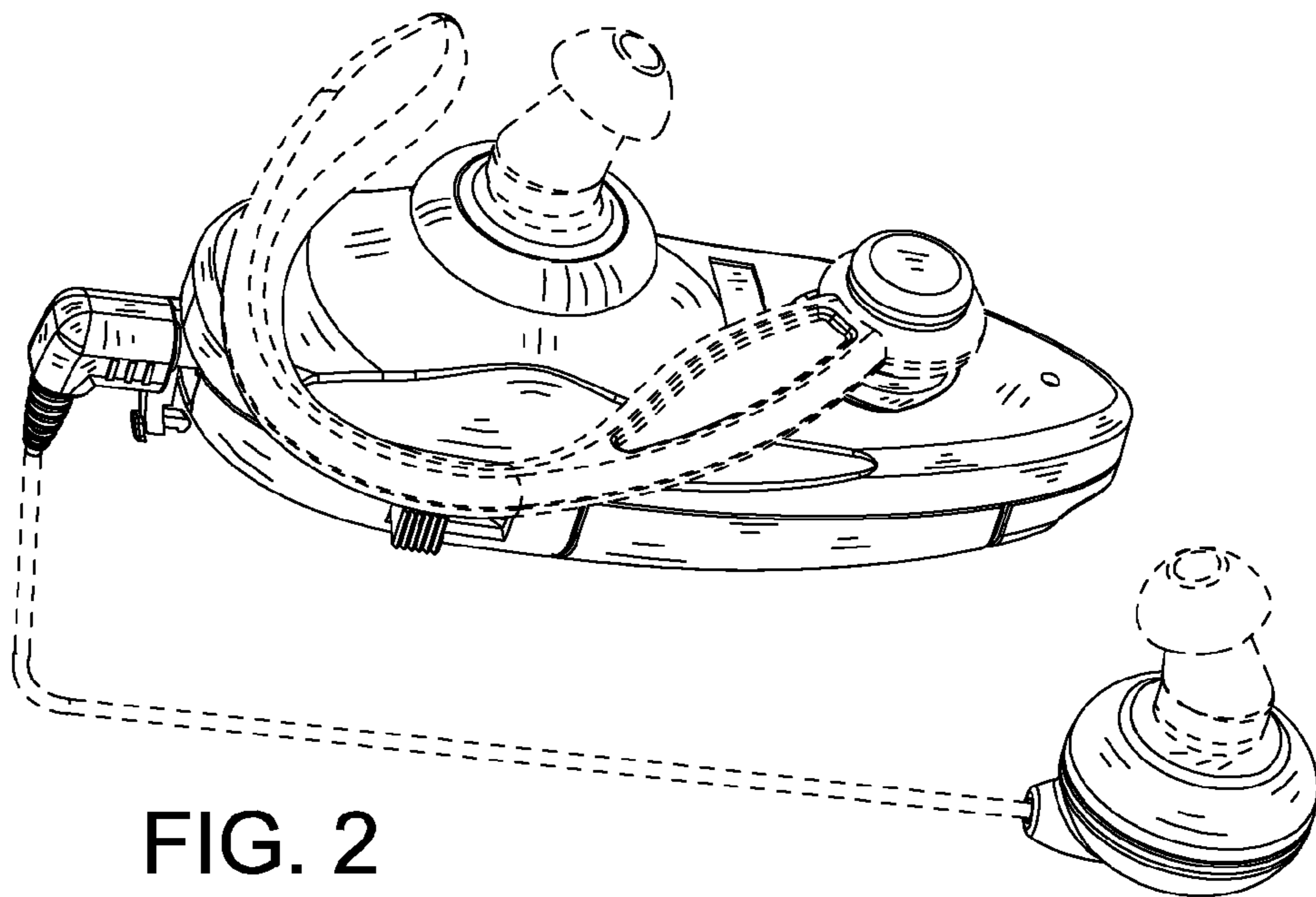


FIG. 2

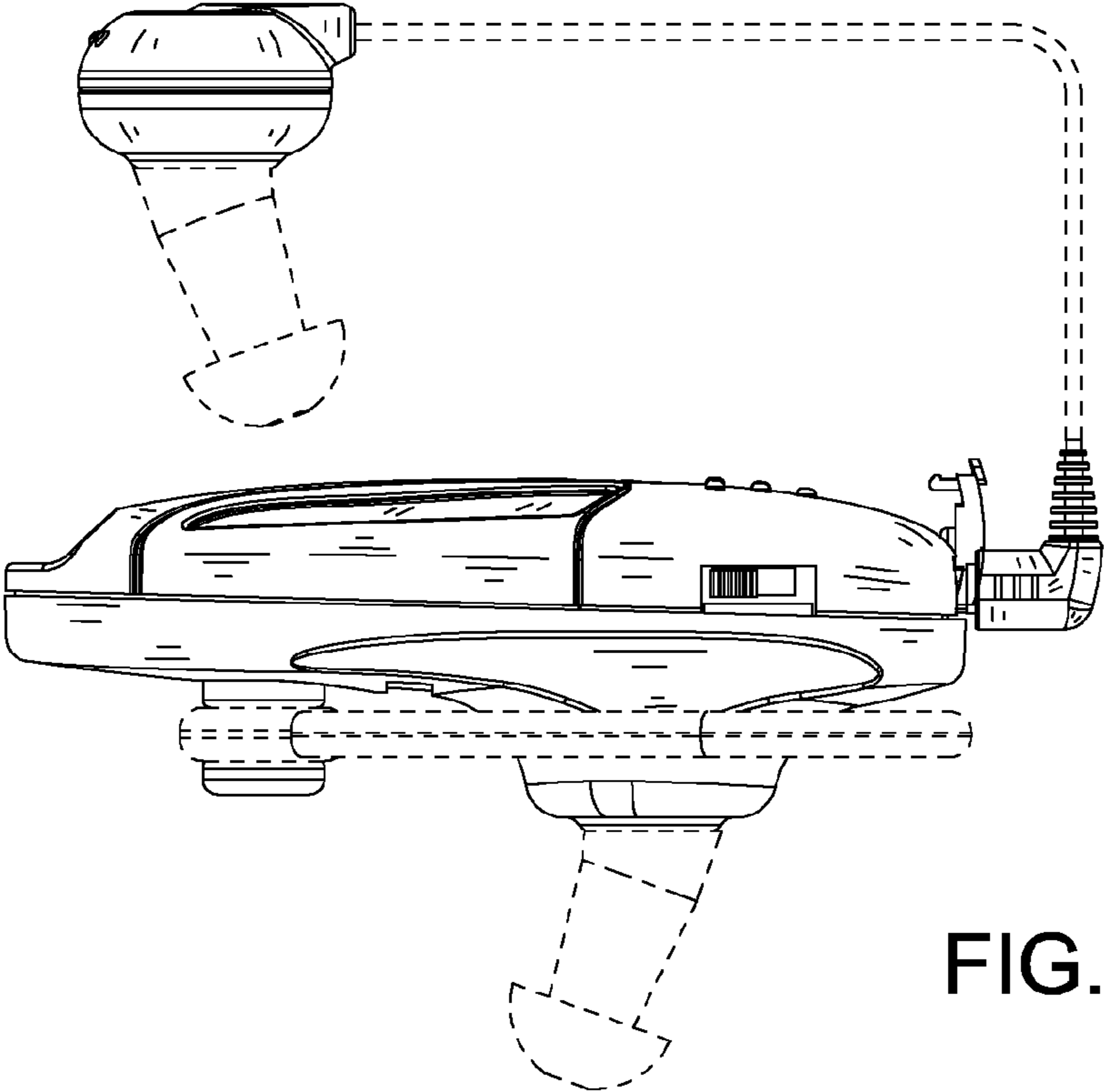


FIG. 3

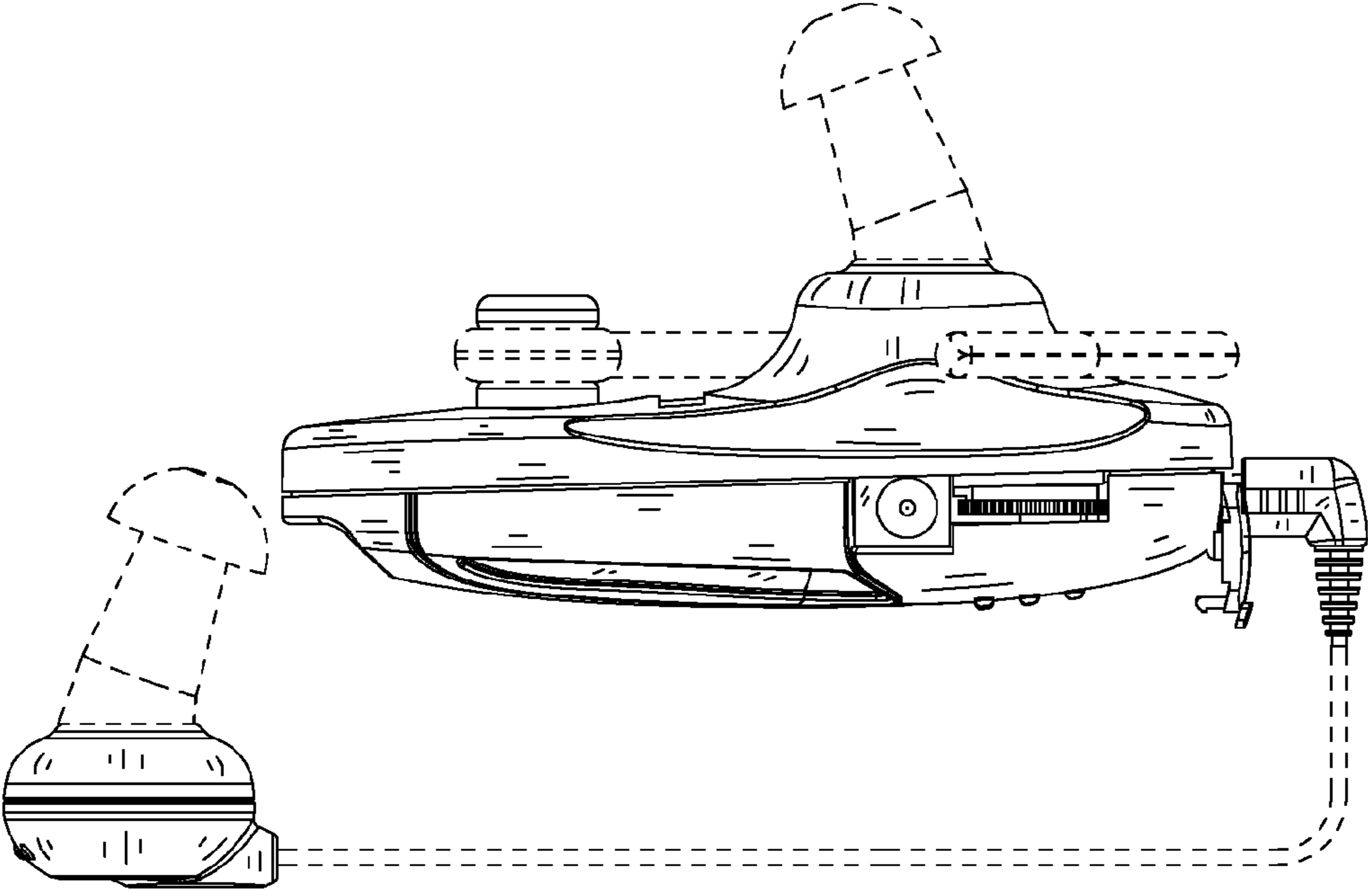


FIG. 4

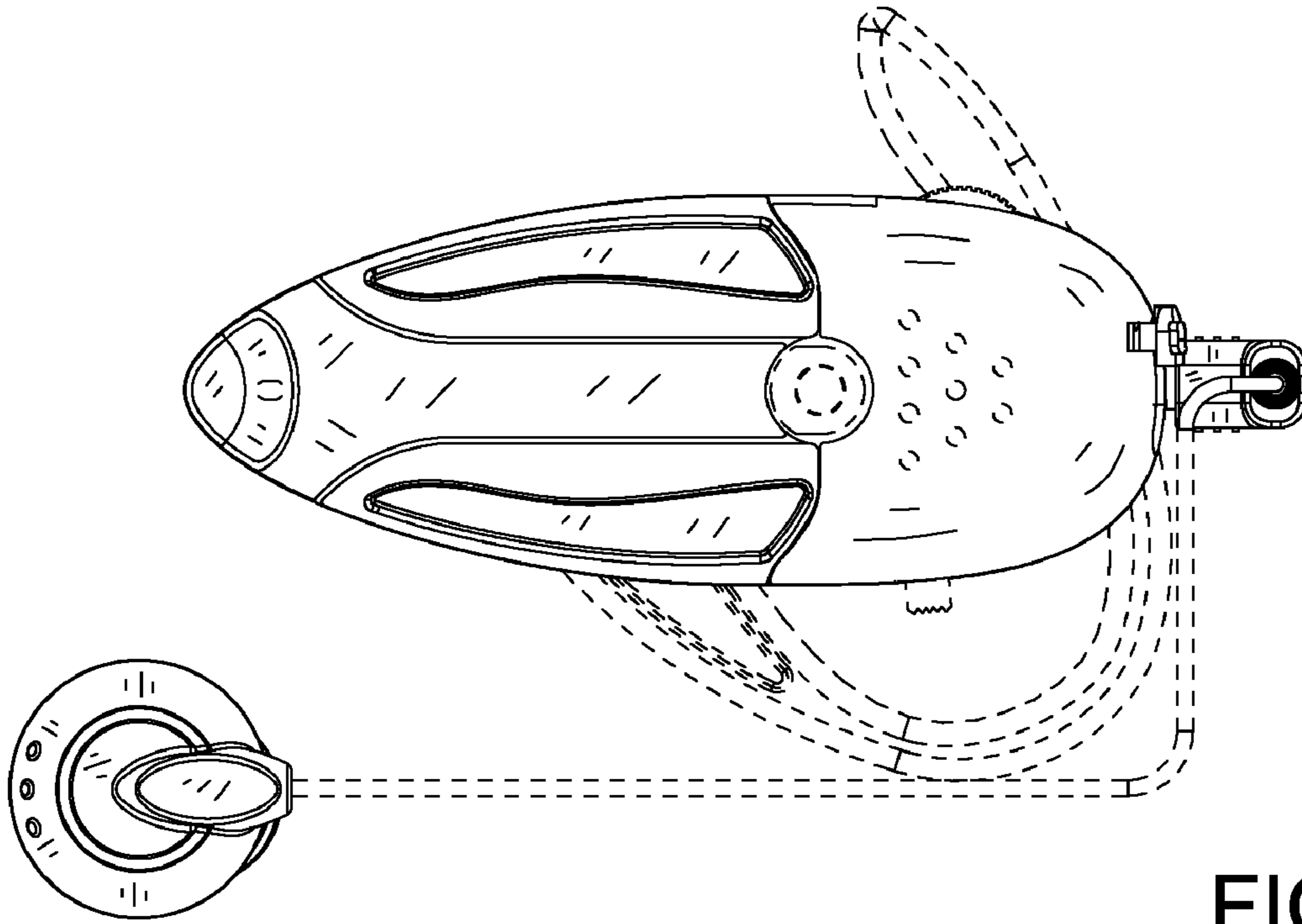


FIG. 5

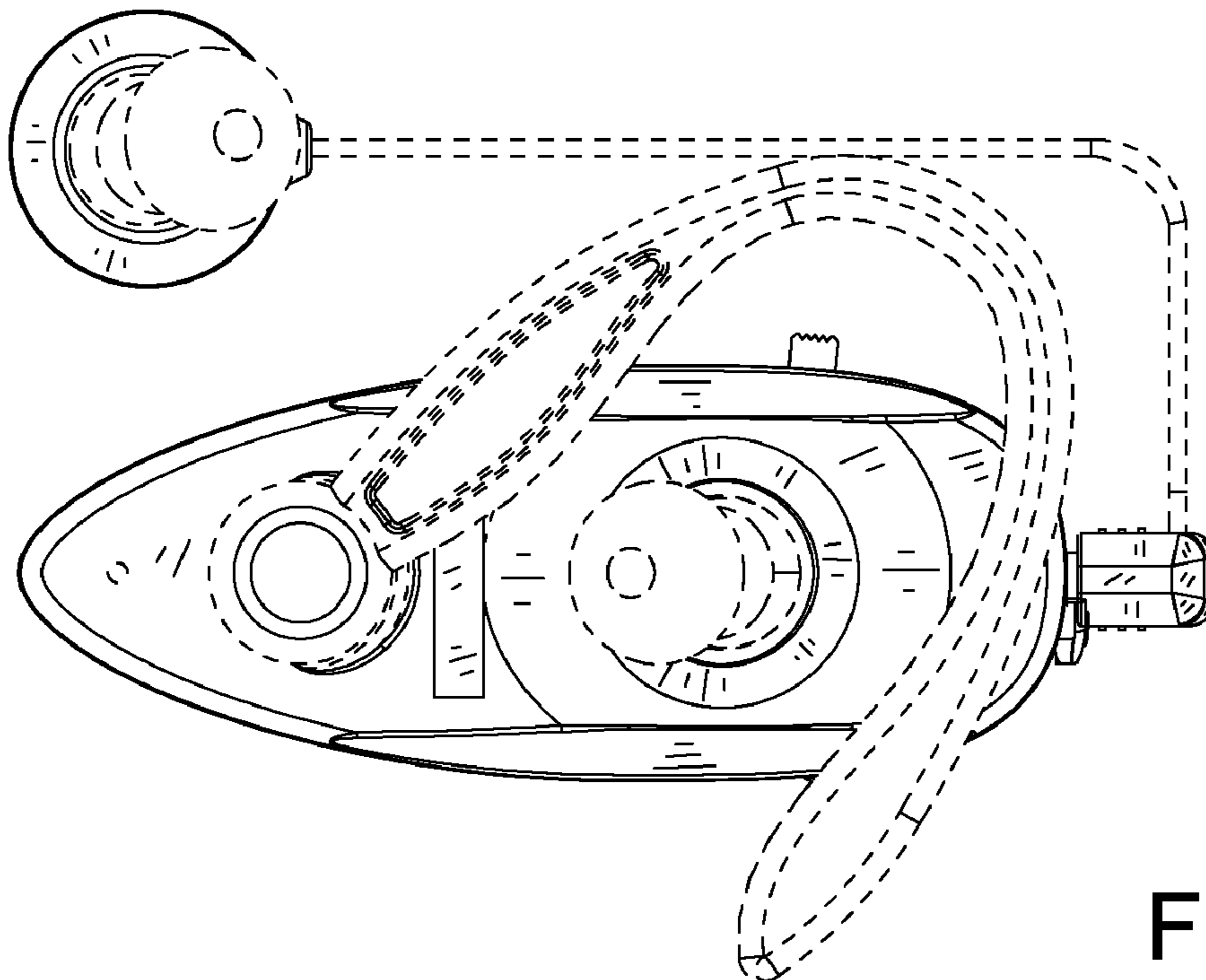


FIG. 6

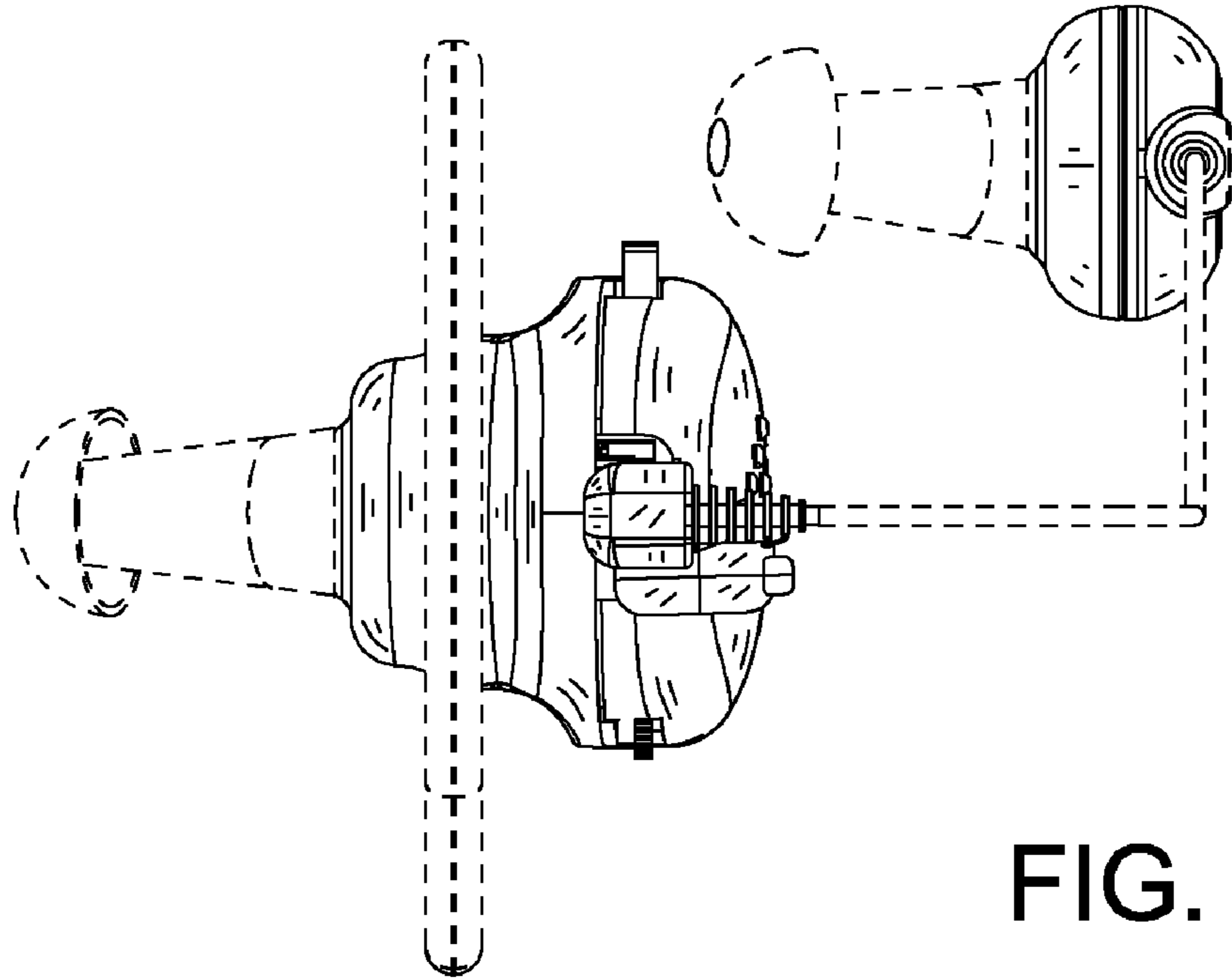


FIG. 7

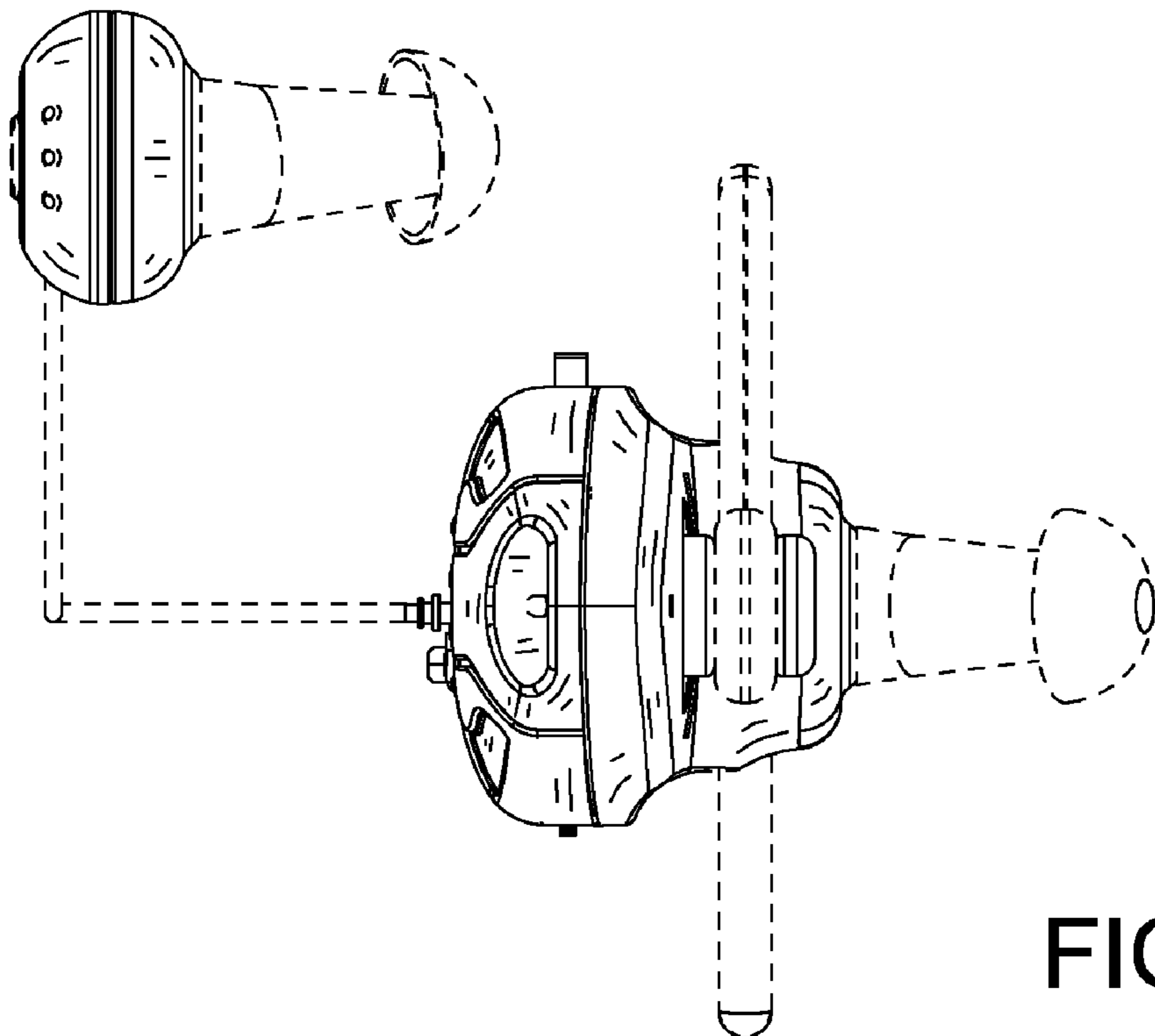


FIG. 8