



US00D640240S

(12) **United States Design Patent**
McManigal

(10) **Patent No.:** **US D640,240 S**

(45) **Date of Patent:** **** Jun. 21, 2011**

(54) **AUDIO SYSTEM REMOTE CONTROL**

(75) Inventor: **Scott Paul McManigal**, Newport Beach, CA (US)

(73) Assignee: **Vizio Inc.**, Irvine, CA (US)

(**) Term: **14 Years**

(21) Appl. No.: **29/381,167**

(22) Filed: **Dec. 16, 2010**

(51) **LOC (9) Cl.** **14-03**

(52) **U.S. Cl.** **D14/218**

(58) **Field of Classification Search** D14/218,
D14/455; D13/168; D21/566; D10/104,
D10/106; 345/169; 348/14.05, 114, 211.99,
348/734; 340/825.24; 341/22; 455/92, 95,
455/128, 151.1–151.4, 352, 355, FOR. 121;
700/65

See application file for complete search history.

(56) **References Cited**

U.S. PATENT DOCUMENTS

D411,539 S *	6/1999	Nagai et al.	D14/218
D415,115 S *	10/1999	Kawashima	D13/168
D436,933 S *	1/2001	Armstrong	D13/168
D508,906 S *	8/2005	Tajima	D14/167
D530,681 S *	10/2006	Huang	D13/168
D533,514 S *	12/2006	Hidalgo	D13/168

D556,154 S *	11/2007	Poulet et al.	D13/168
D568,827 S *	5/2008	Ikeda et al.	D13/168
D579,435 S *	10/2008	Han et al.	D14/138 AD
D581,371 S *	11/2008	Richmond	D13/168
D584,696 S *	1/2009	Howman et al.	D13/168
D618,804 S *	6/2010	Borregaard	D24/174
D621,370 S *	8/2010	Chouji et al.	D13/168
D621,371 S *	8/2010	Sheppard et al.	D13/168

* cited by examiner

Primary Examiner — Celia A Murphy

Assistant Examiner — John Windmuller

(74) *Attorney, Agent, or Firm* — Law Office of Scott C. Harris

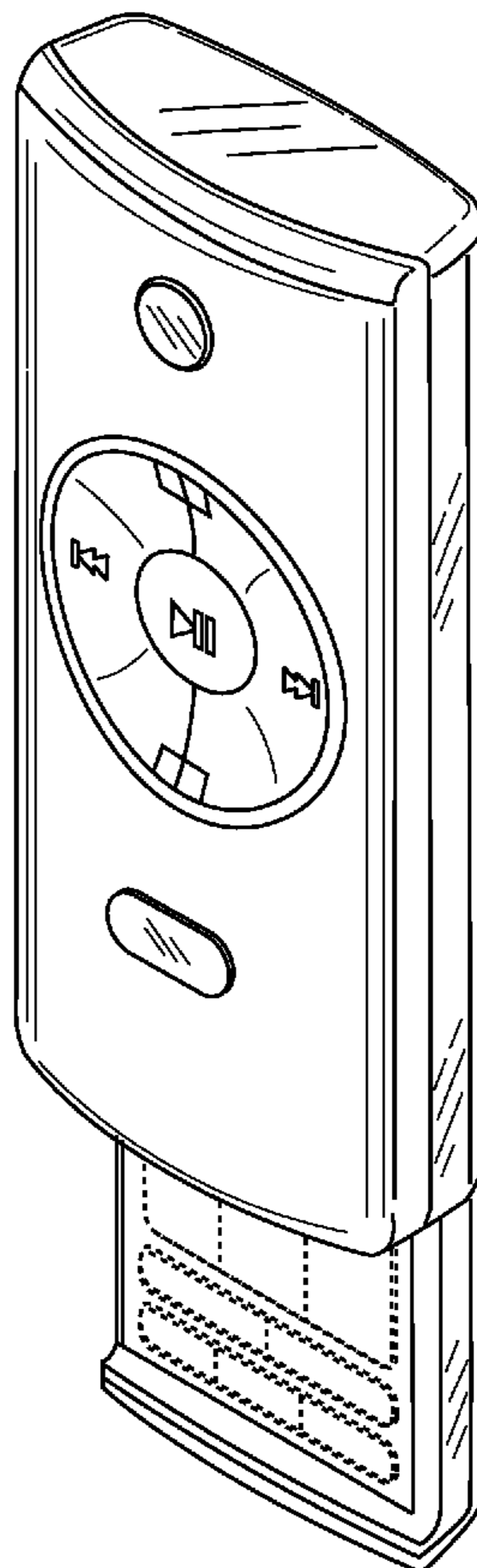
(57) **CLAIM**

I claim the ornamental design for an audio system remote control, as shown and described.

DESCRIPTION

FIG. 1 is a front perspective view of an audio system remote control showing my new design;
FIG. 2 is a left-side view thereof;
FIG. 3 is a right-side view thereof;
FIG. 4 is a front view thereof with keypad extended;
FIG. 5 is a rear view thereof;
FIG. 6 is a bottom view thereof;
FIG. 7 is a top view thereof; and,
FIG. 8 is a front view thereof with keypad retracted.
The broken lines in the figures depict portions of the control that form no part of the claimed design.

1 Claim, 8 Drawing Sheets



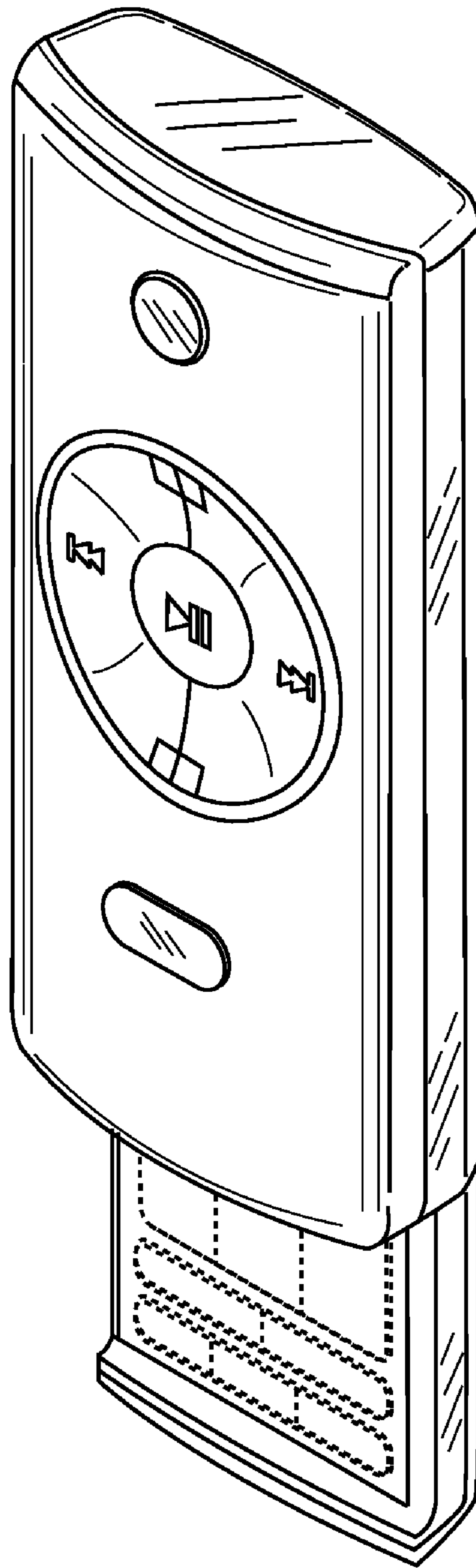


FIG. 1

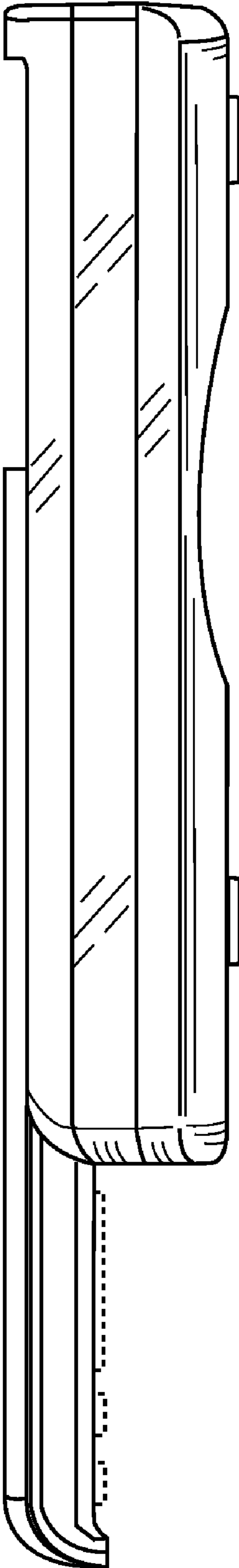


FIG.2

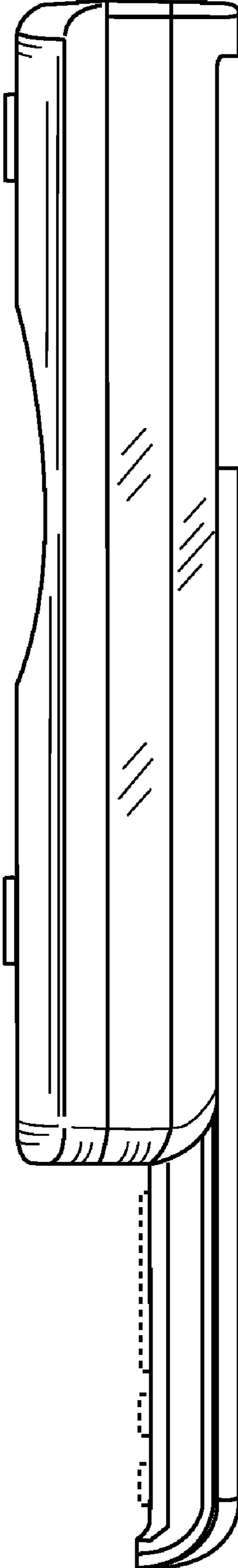


FIG.3

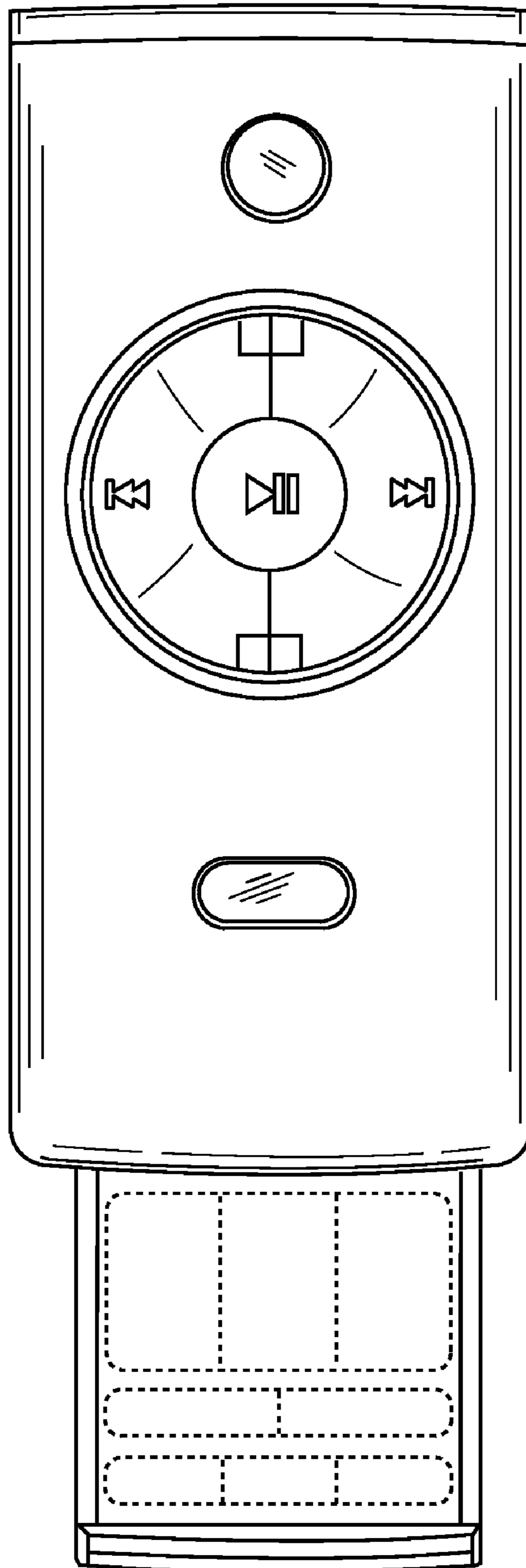


FIG.4

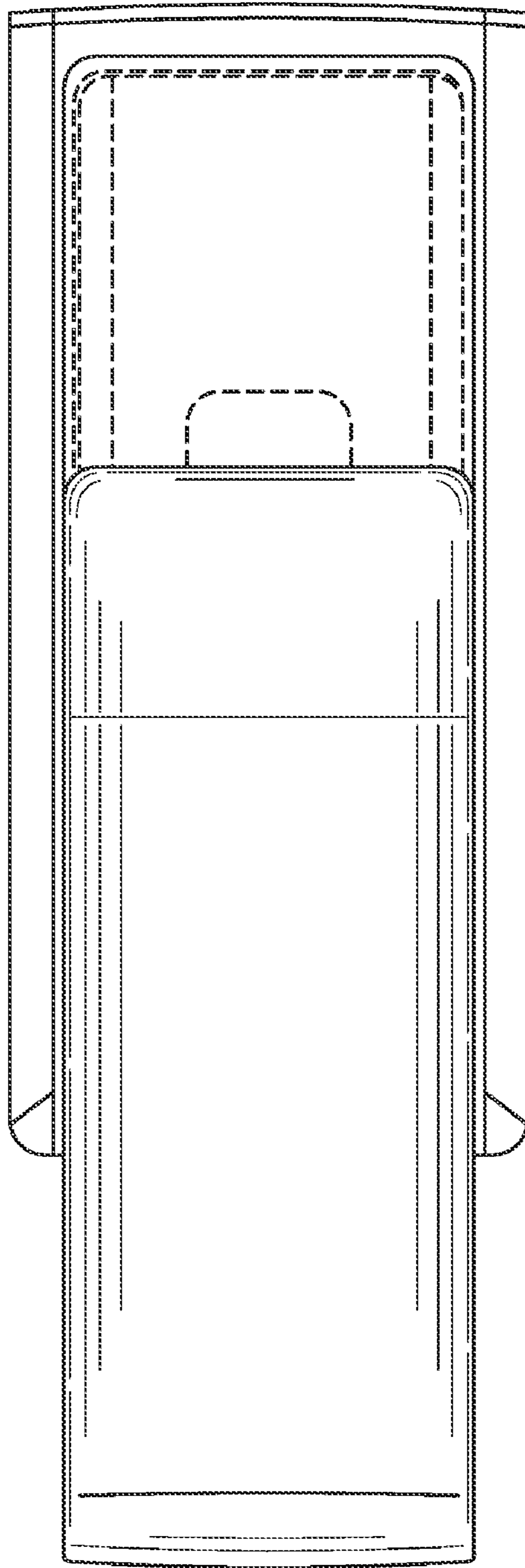


FIG. 5

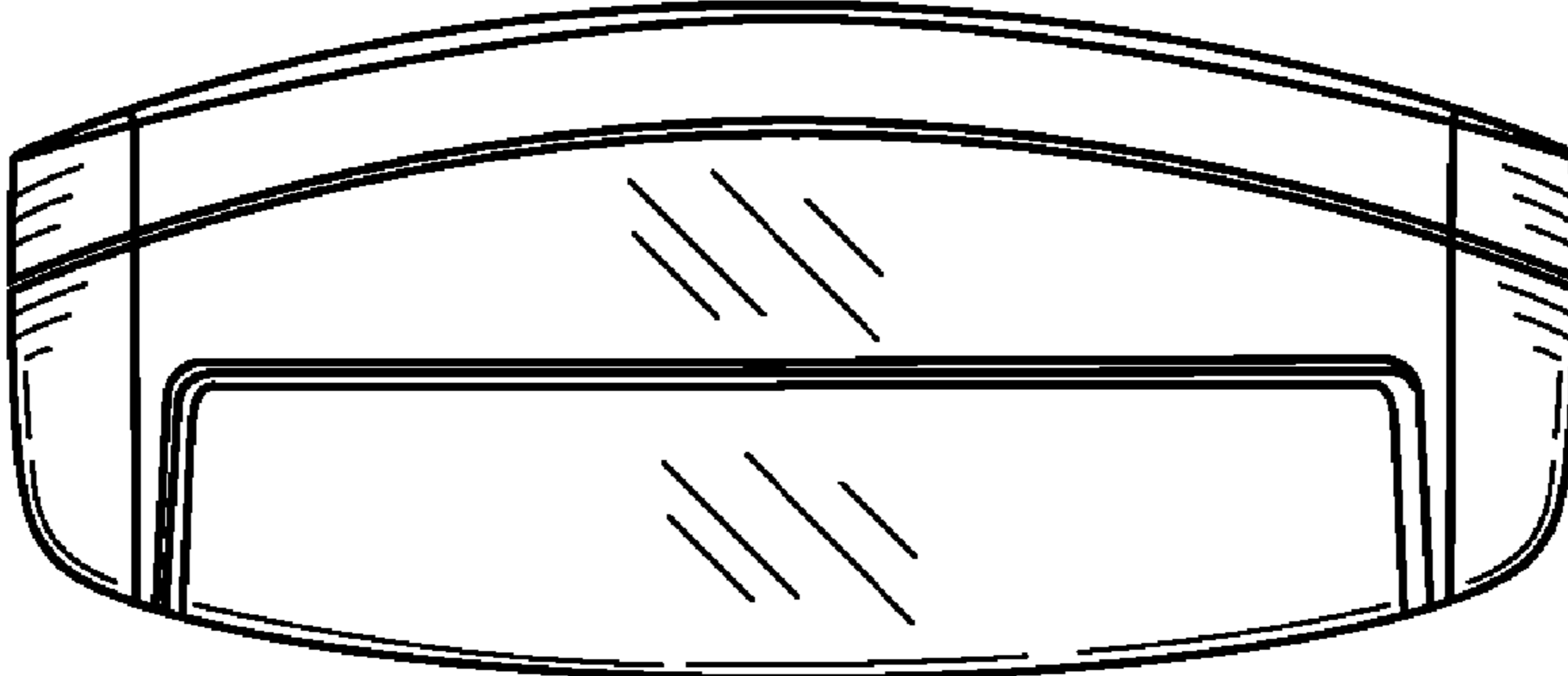


FIG.6

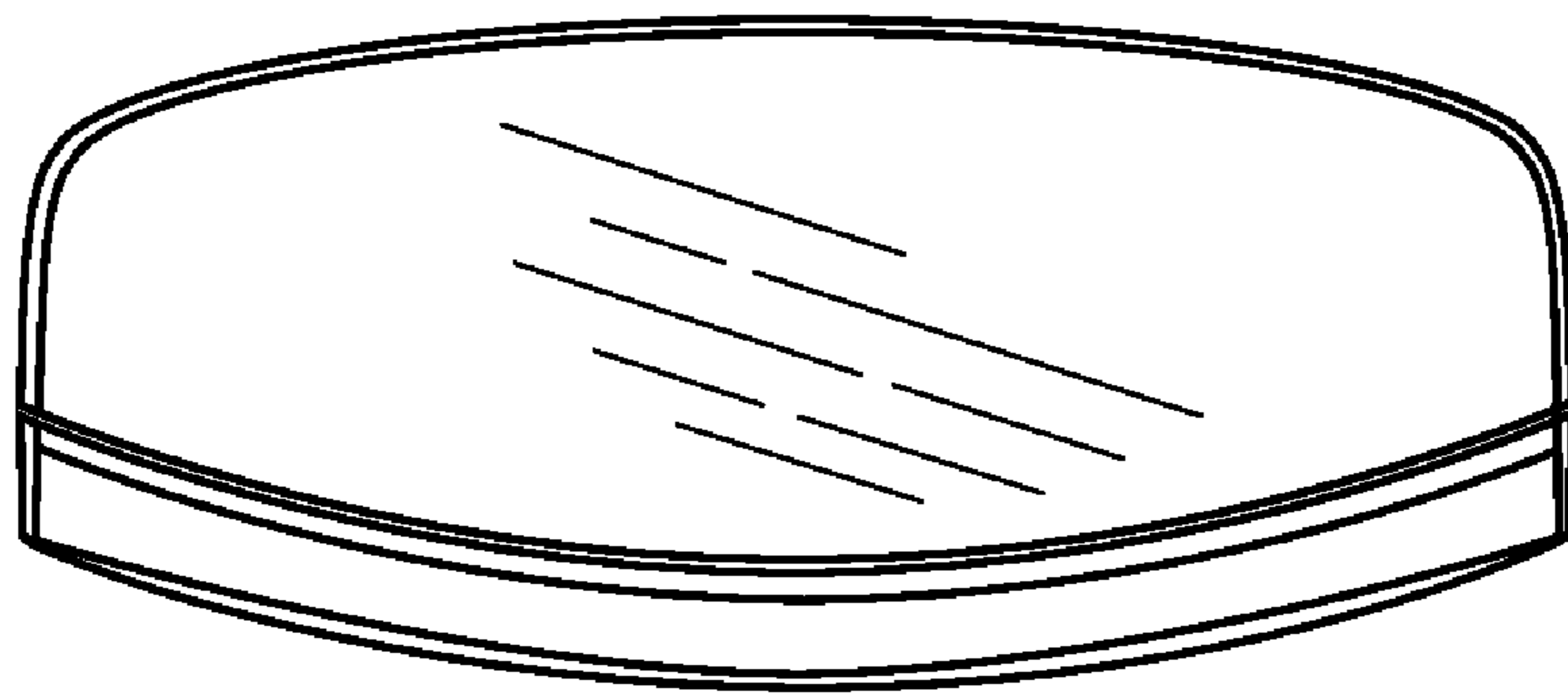


FIG.7

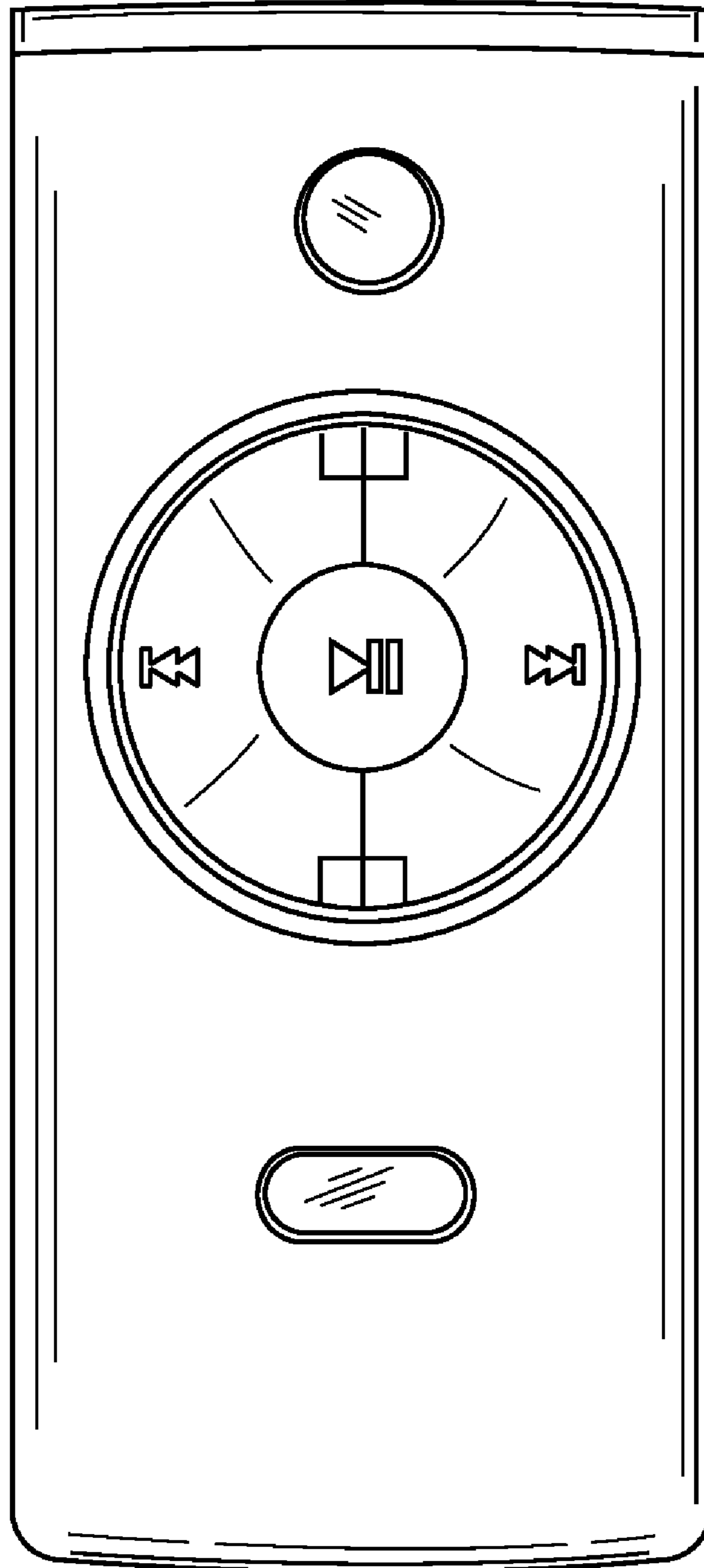


FIG.8