



US00D640237S

(12) **United States Design Patent**  
**Lim et al.**

(10) **Patent No.:** **US D640,237 S**  
(45) **Date of Patent:** **\*\* Jun. 21, 2011**

(54) **SPEAKER**

(75) Inventors: **Jae Won Lim**, Seoul (KR); **Woo Suk Park**, Jeonbuk (KR); **Jong Chul Kim**, Gyeonggi-do (KR); **Hye Young Hong**, Seoul (KR)

(73) Assignee: **LG Electronics Inc.**, Seoul (KR)

(\*\*) Term: **14 Years**

(21) Appl. No.: **29/361,169**

(22) Filed: **May 6, 2010**

(30) **Foreign Application Priority Data**

Nov. 11, 2009 (KR) ..... 30-2009-0049613

(51) **LOC (9) Cl.** ..... **14-01**

(52) **U.S. Cl.** ..... **D14/214**

(58) **Field of Classification Search** ..... D14/204,  
D14/210-216, 168, 496, 172, 349-351, 353;  
181/143-144, 147-148, 150-153, 157, 198-199;  
381/300-303, 306, 332-333, 336, 345, 361-364,  
381/386-388

See application file for complete search history.

(56) **References Cited**

U.S. PATENT DOCUMENTS

D260,390	S	*	8/1981	Bertagni	.....	D14/211
D514,563	S	*	2/2006	Kuramashi et al.	.....	D14/349
D566,100	S	*	4/2008	Han et al.	.....	D14/211
D575,272	S	*	8/2008	Shih et al.	.....	D14/214
D587,259	S	*	2/2009	Hamaguchi et al.	.....	D14/349
D597,542	S	*	8/2009	Solomon et al.	.....	D14/351

\* cited by examiner

*Primary Examiner* — Nanda Bondade

(74) *Attorney, Agent, or Firm* — Morgan, Lewis & Bockius LLP

(57) **CLAIM**

The ornamental design for a speaker, as shown and described.

**DESCRIPTION**

FIG. 1 is a top, front, perspective view of a speaker showing our new design;

FIG. 2 is a front view thereof;

FIG. 3 is a rear view thereof;

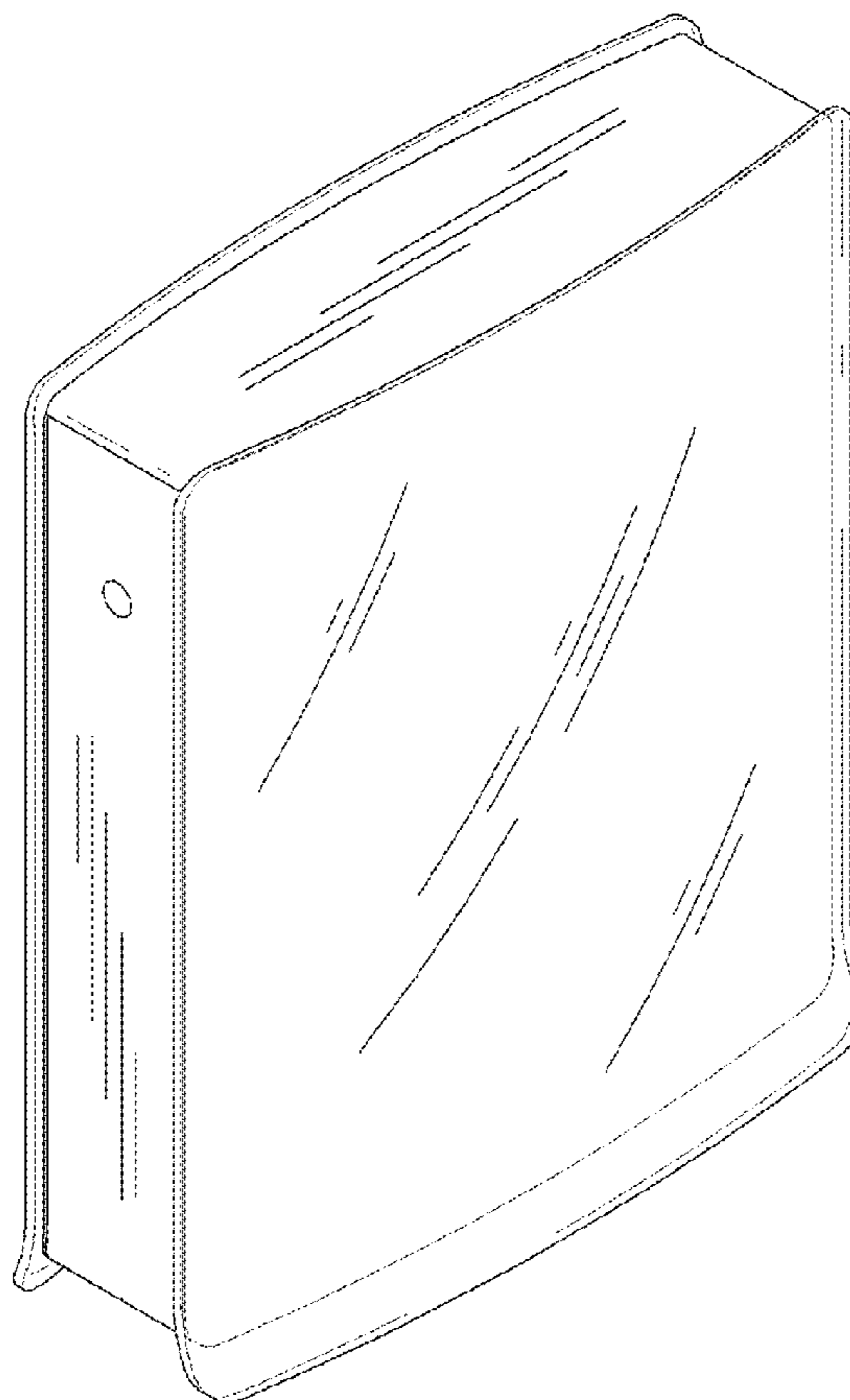
FIG. 4 is a left side view thereof;

FIG. 5 is a right side view thereof;

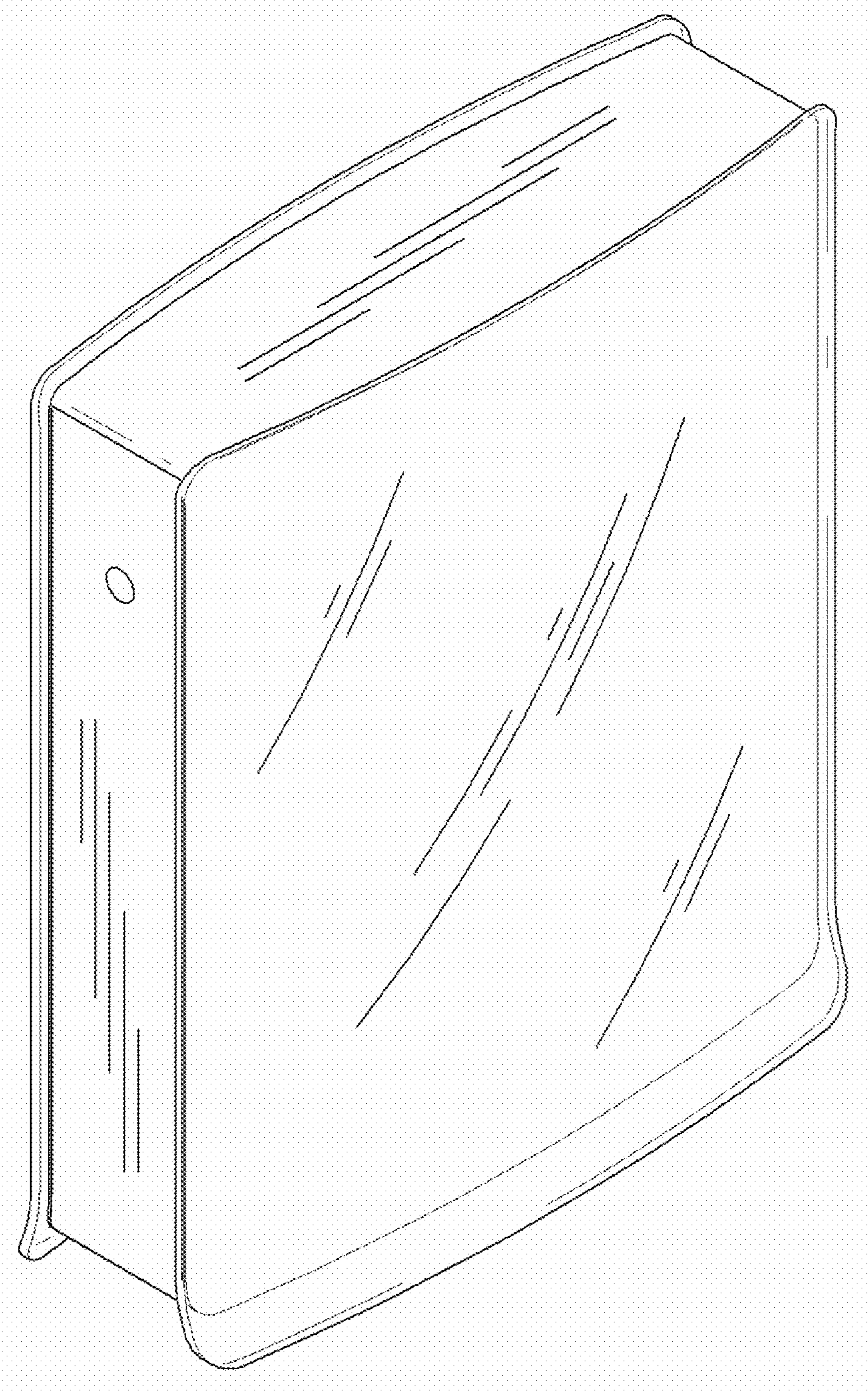
FIG. 6 is a top view thereof; and,

FIG. 7 is a bottom view thereof.

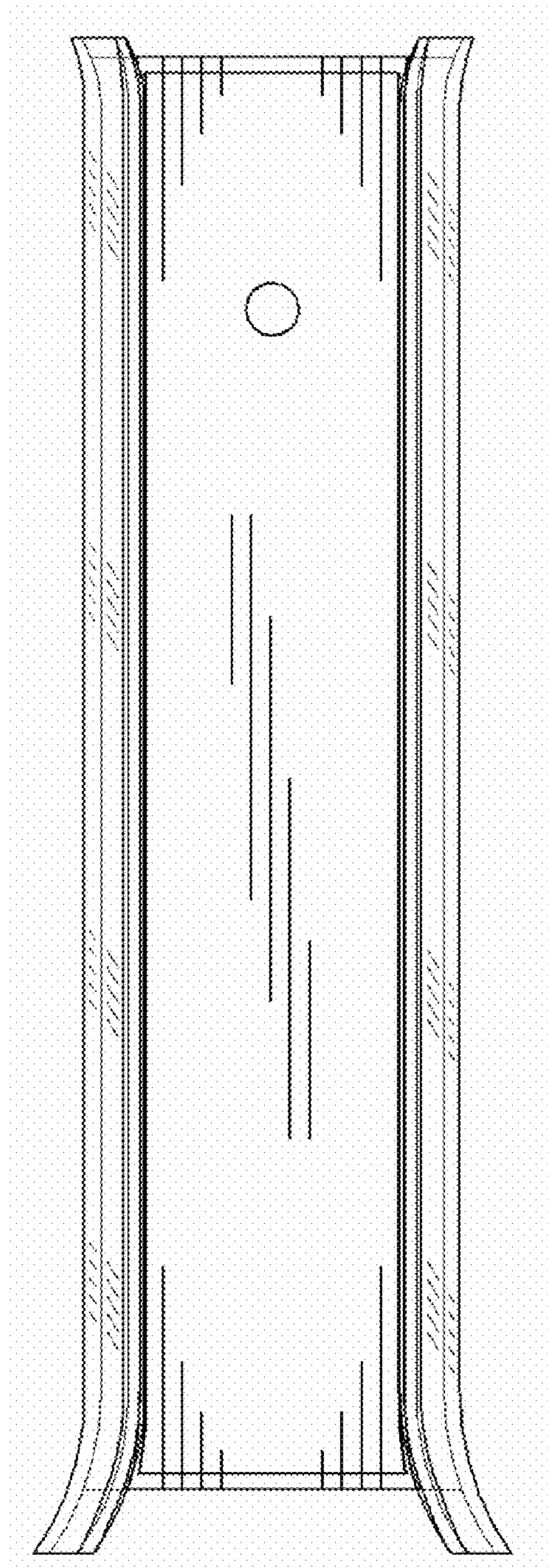
**1 Claim, 7 Drawing Sheets**



# FIG. 1



# FIG. 2



# FIG. 3

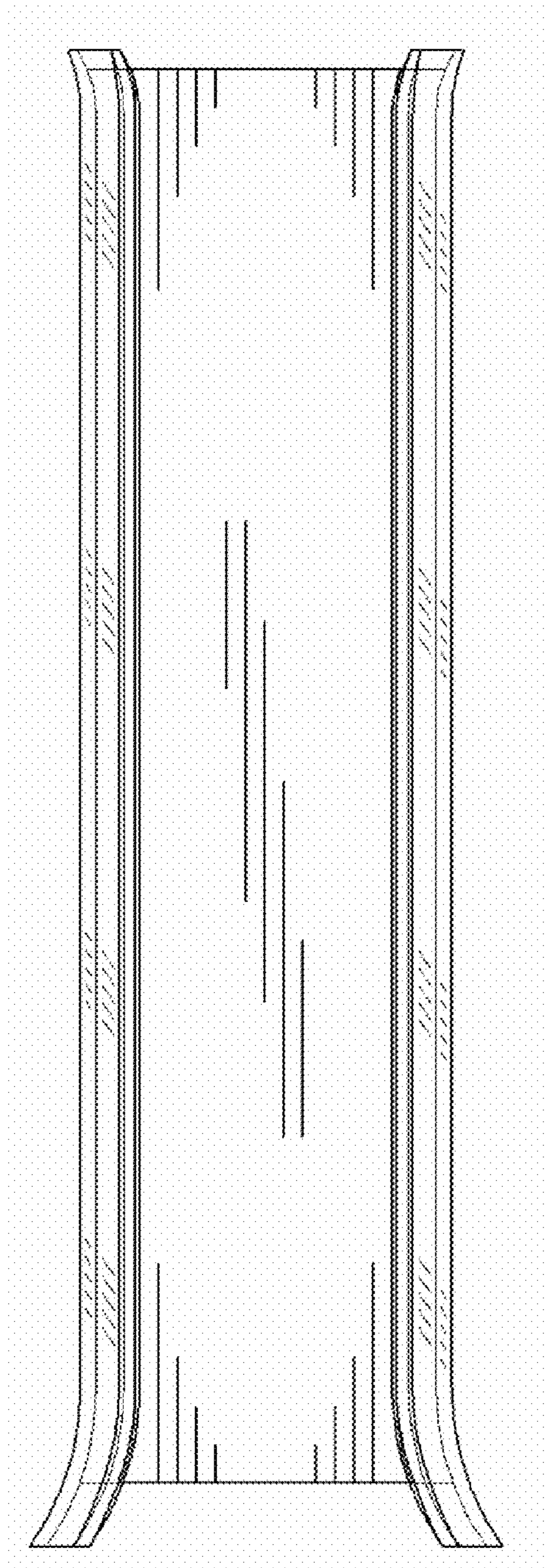
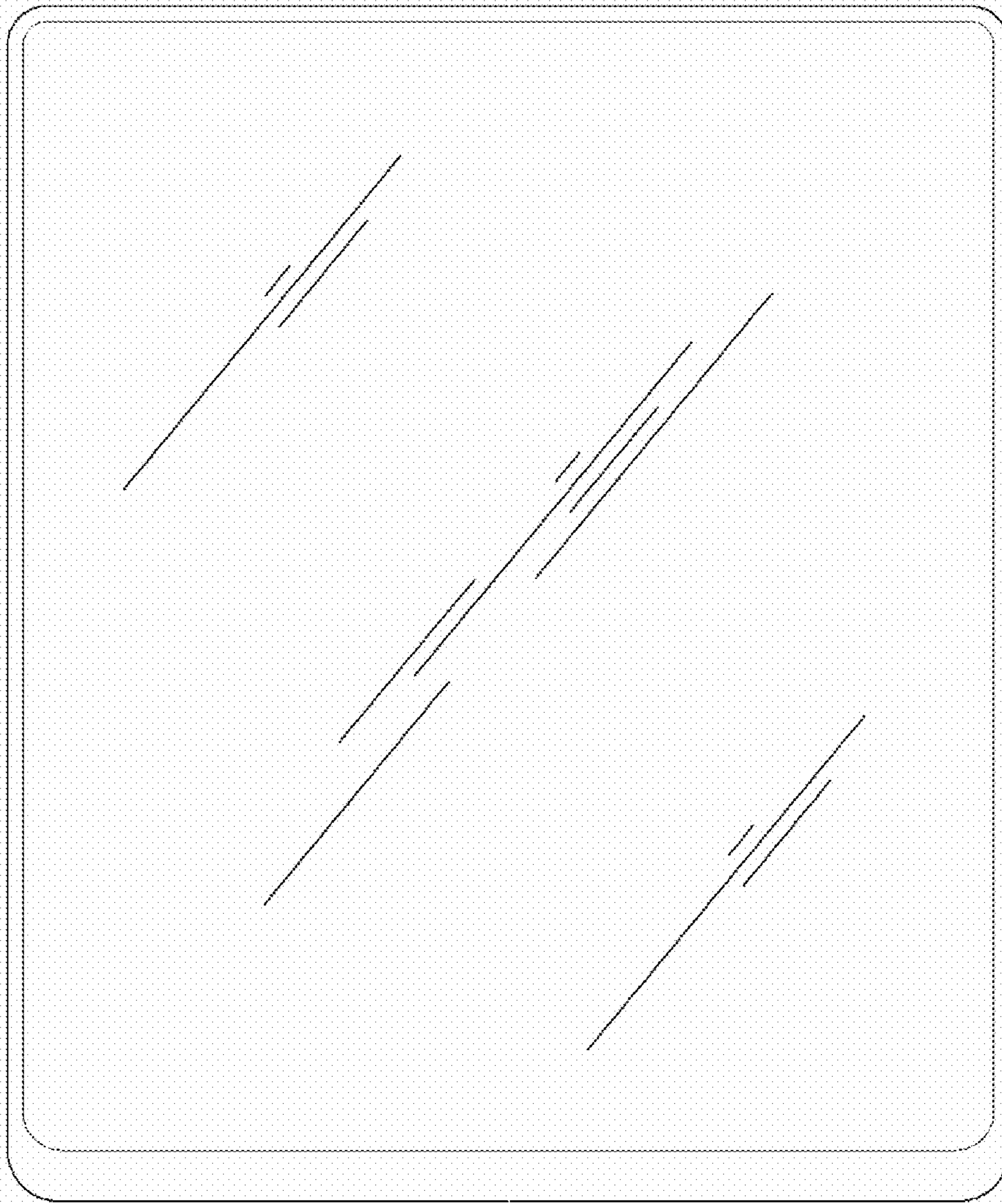
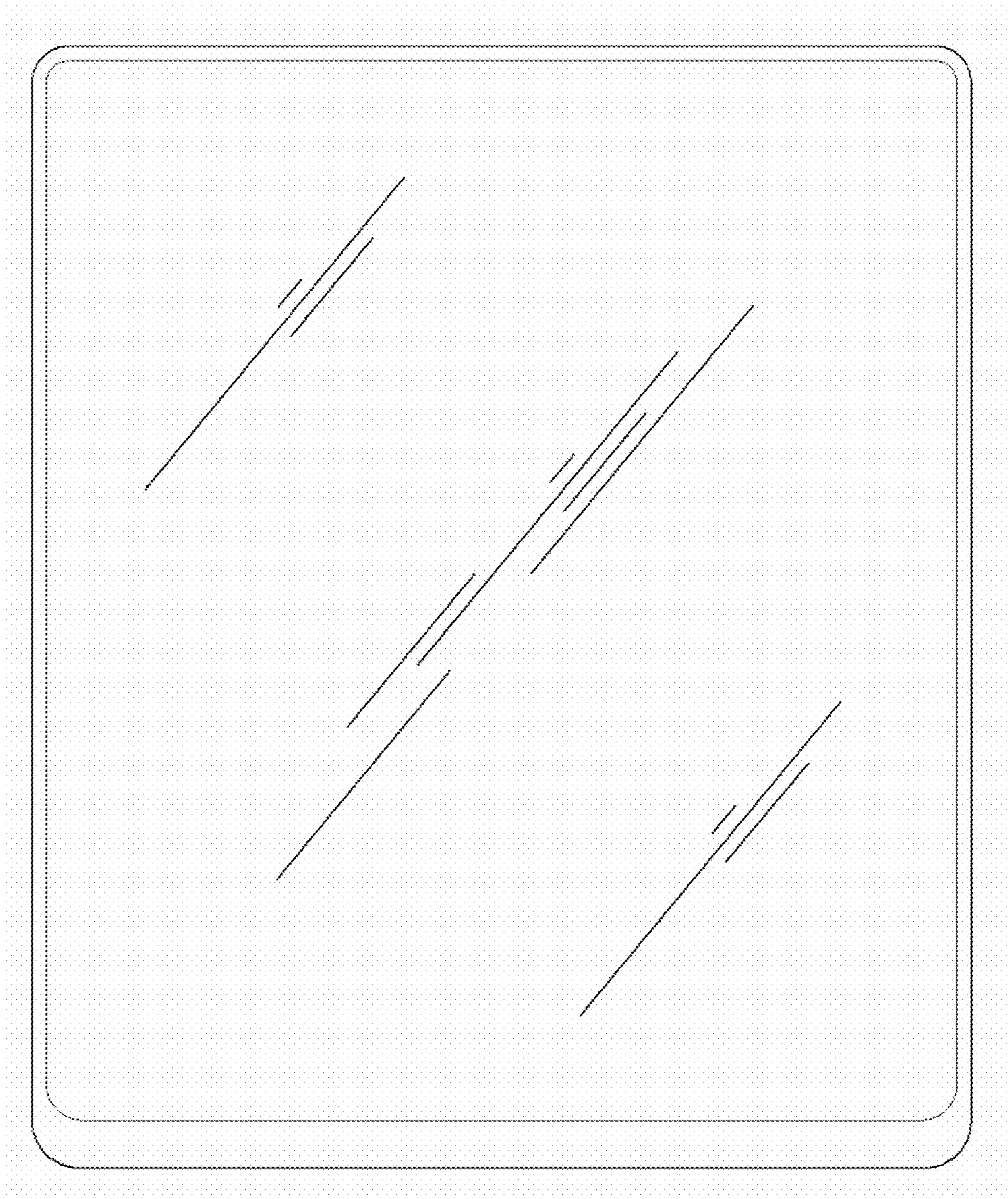


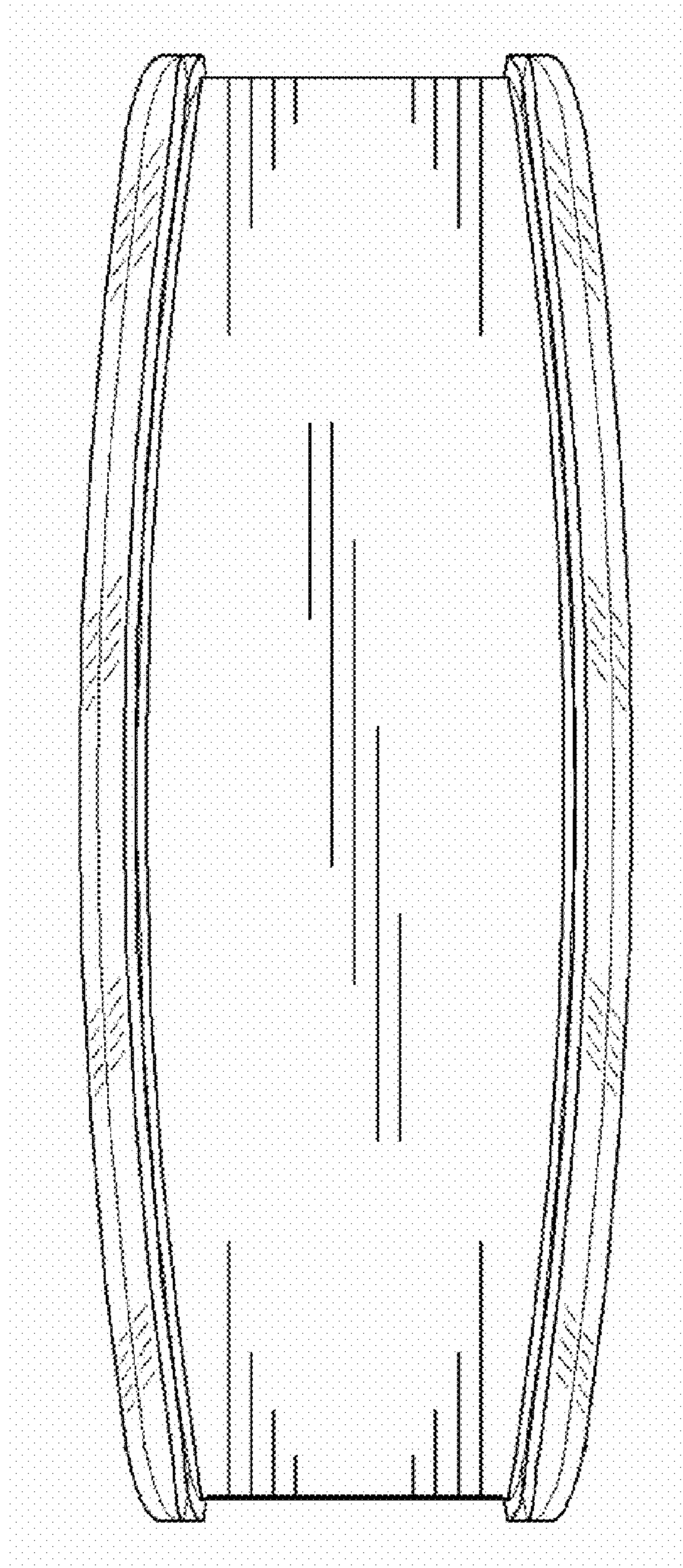
FIG. 4



# FIG. 5



# FIG. 6



# FIG. 7

