



US00D640236S

(12) **United States Design Patent**
Fathollahi

(10) **Patent No.:** **US D640,236 S**

(45) **Date of Patent:** **** Jun. 21, 2011**

(54) **AUDIO SPEAKER**

(56) **References Cited**

(76) **Inventor:** **Nausser Fathollahi**, Irvine, CA (US)

(**) **Term:** **14 Years**

(21) **Appl. No.:** **29/377,030**

(22) **Filed:** **Oct. 15, 2010**

(51) **LOC (9) Cl.** **14-01**

(52) **U.S. Cl.** **D14/211**

(58) **Field of Classification Search** D14/204,
D14/207, 209.1, 210–216, 172, 168; 181/143–144,
181/147–148, 150–153, 157, 198–199;
381/300–303, 306, 332–333, 336, 345, 361–364,
381/386–388

See application file for complete search history.

U.S. PATENT DOCUMENTS

D434,026 S *	11/2000	Lewis	D14/211
D491,921 S *	6/2004	Takeuchi et al.	D14/216
D568,292 S *	5/2008	Tsuge	D14/211
D571,359 S *	6/2008	Chang	D14/216

* cited by examiner

Primary Examiner — Nanda Bondade

(74) *Attorney, Agent, or Firm* — Klein, O’Neill & Singh, LLP

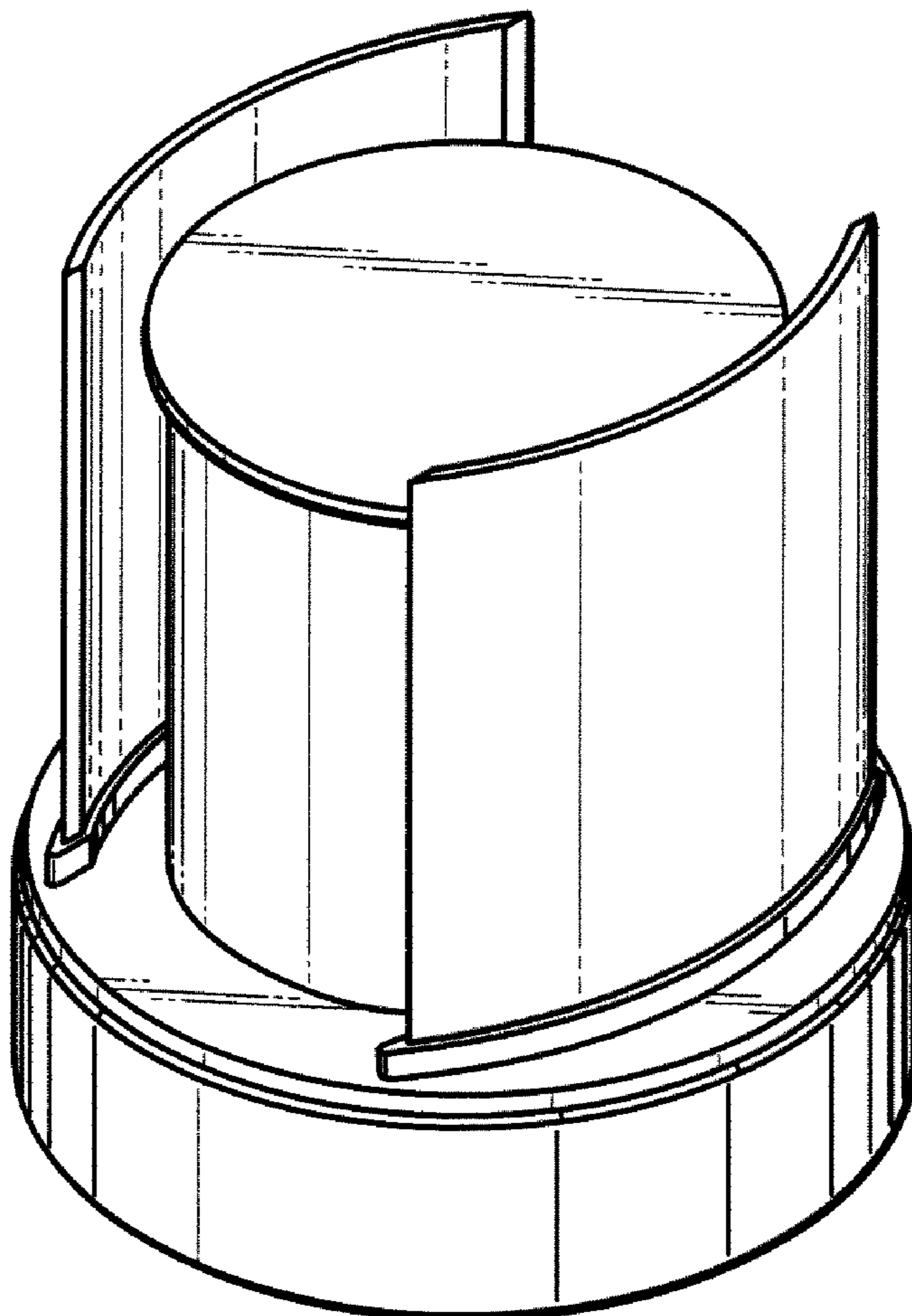
(57) **CLAIM**

The ornamental design for an audio speaker, as shown and described.

DESCRIPTION

FIG. 1 is perspective view of an audio speaker of the present invention;
FIG. 2 is a top plan view of FIG. 1;
FIG. 3 is front elevation view of FIG. 1, the rear elevation view on the opposing side being identical; and,
FIG. 4 is a side view of FIG. 1, the opposing side view being identical.

1 Claim, 2 Drawing Sheets



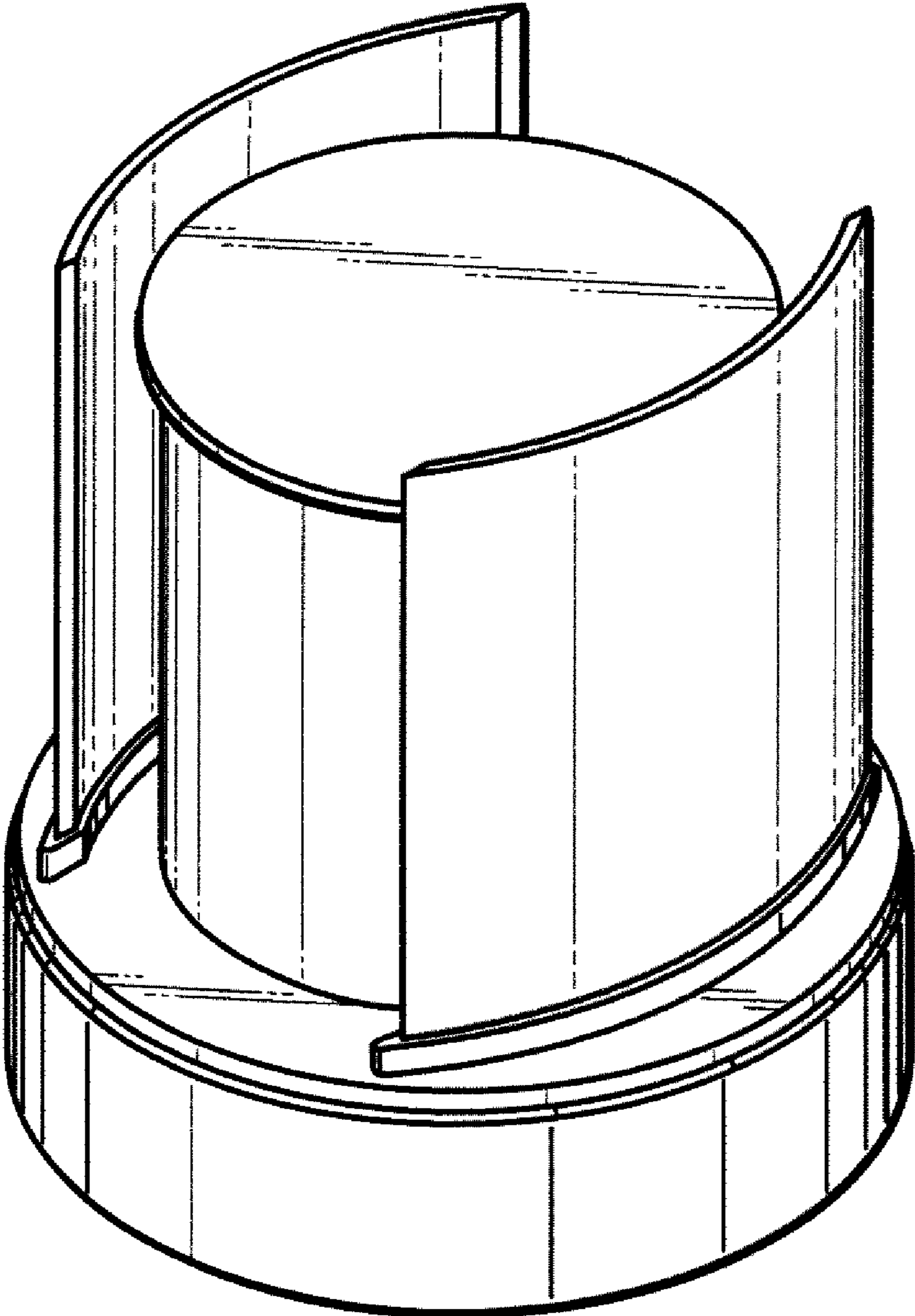


FIG. 1

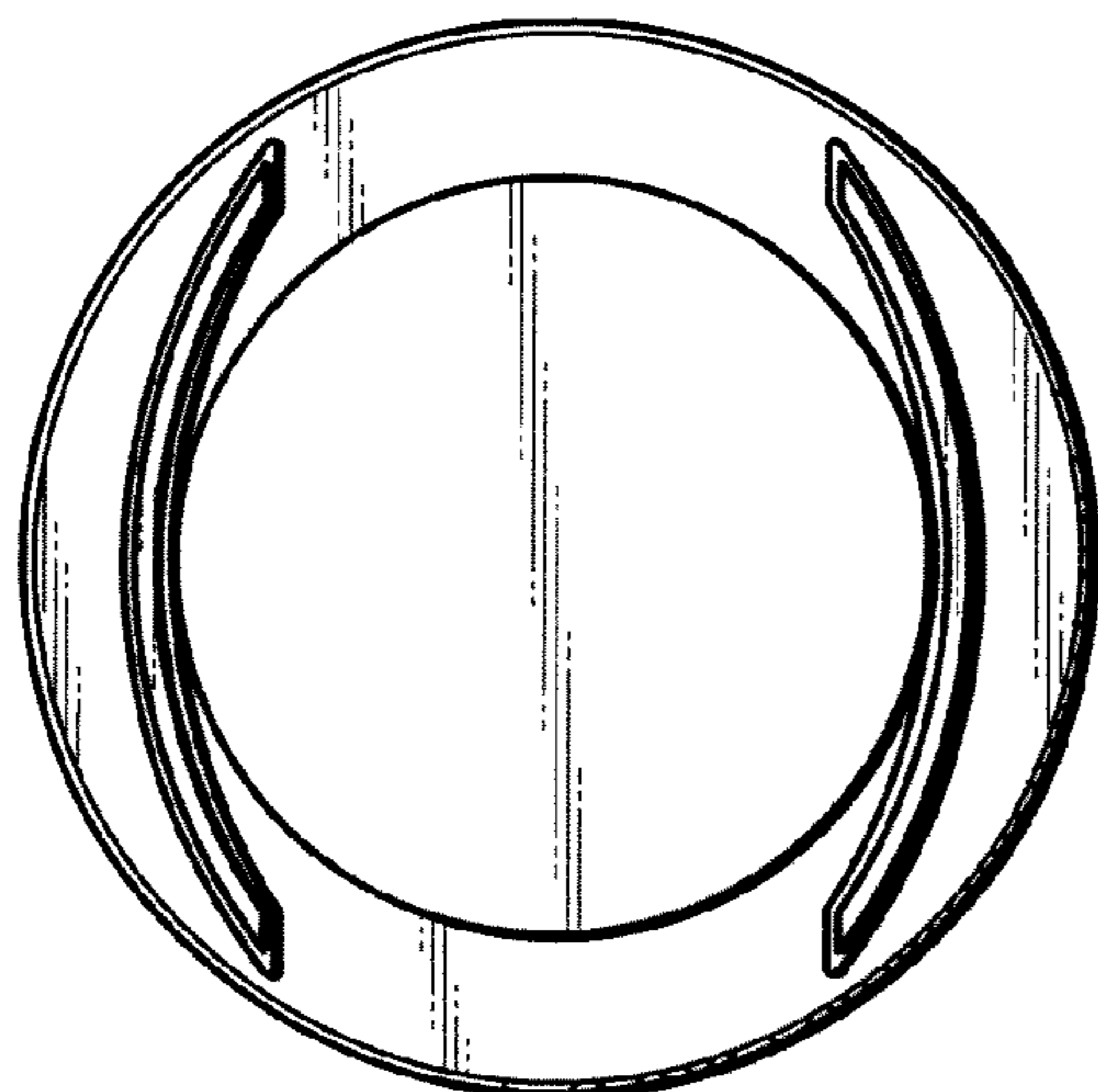


FIG. 2

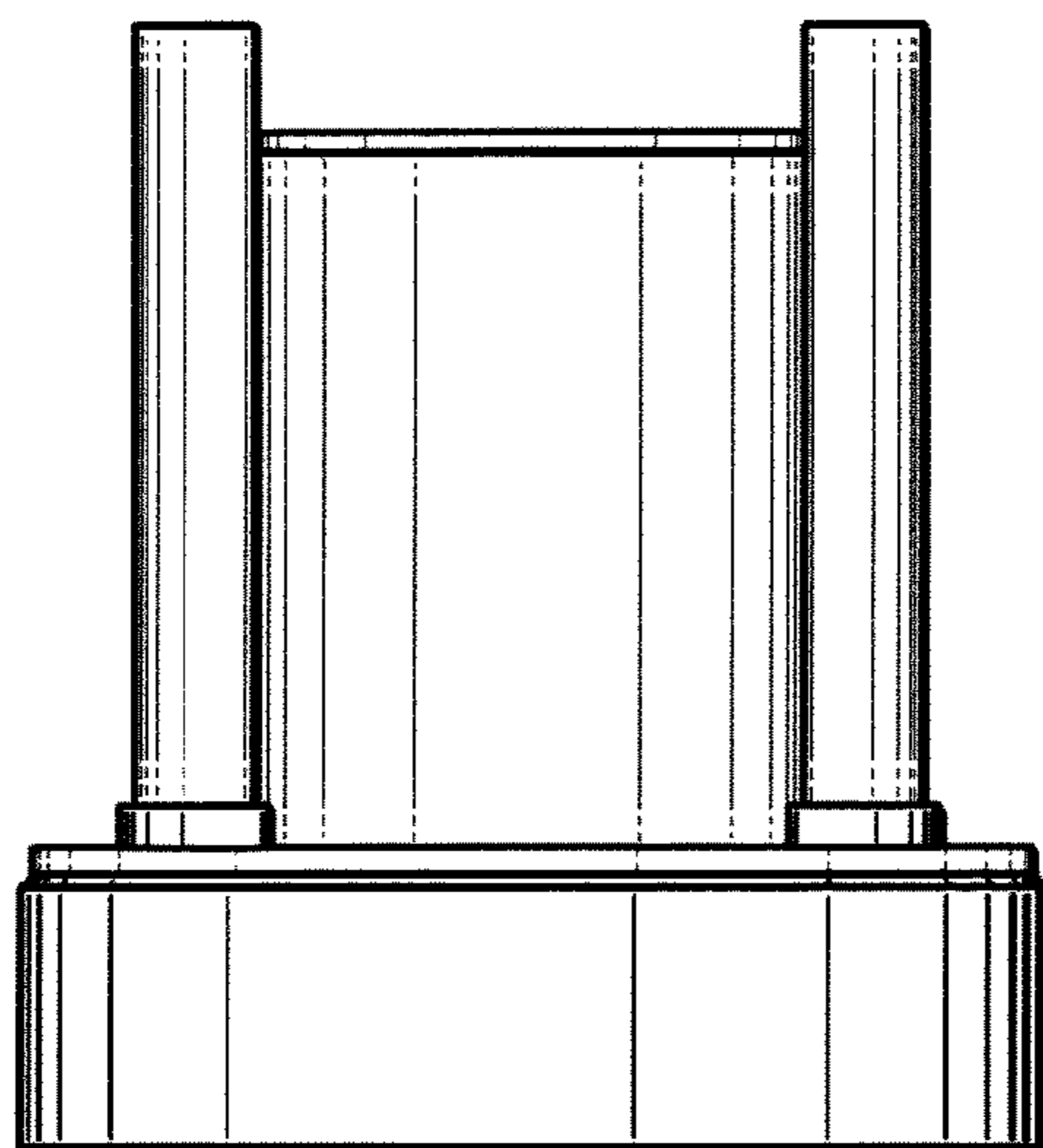


FIG. 3

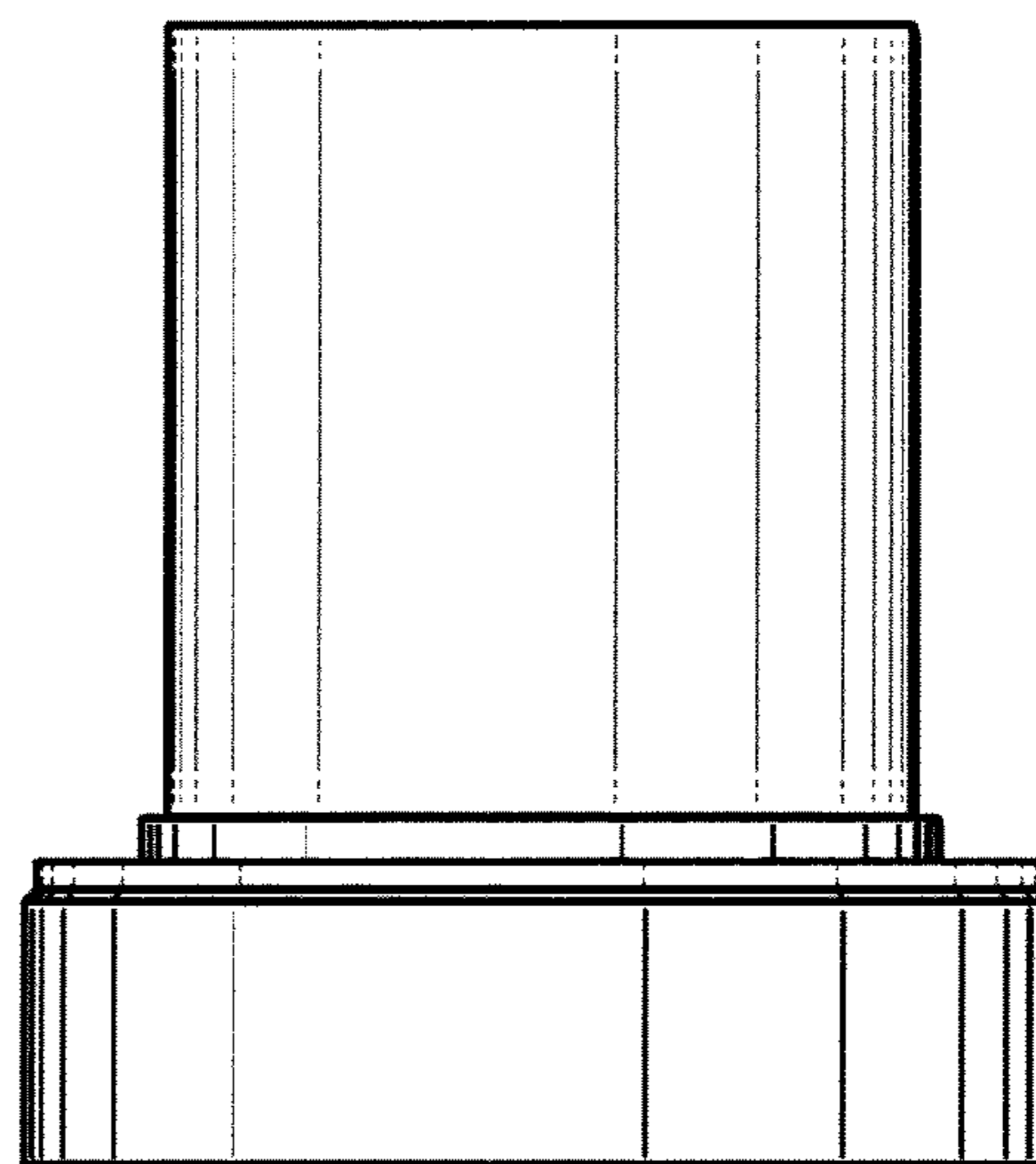


FIG. 4