



US00D640235S

(12) **United States Design Patent**
Fathollahi

(10) **Patent No.:** **US D640,235 S**

(45) **Date of Patent:** **** Jun. 21, 2011**

(54) **AUDIO SPEAKER**

(76) Inventor: **Nausser Fathollahi**, Irvine, CA (US)

(**) Term: **14 Years**

(21) Appl. No.: **29/377,027**

(22) Filed: **Oct. 15, 2010**

(51) **LOC (9) Cl.** **14-01**

(52) **U.S. Cl.** **D14/211**

(58) **Field of Classification Search** D14/204,
D14/207, 209.1, 210–216, 172, 168; 181/143–144,
181/147–148, 150–153, 157, 198–199;
381/300–303, 306, 332–333, 336, 345, 361–364,
381/386–388

See application file for complete search history.

(56) **References Cited**

U.S. PATENT DOCUMENTS

5,123,500 A * 6/1992 Malhoit et al. 181/144
D463,785 S * 10/2002 Lee D14/214

D505,940 S * 6/2005 Yao D14/215
D561,171 S * 2/2008 Seo et al. D14/211
D567,222 S * 4/2008 Kim et al. D14/211

* cited by examiner

Primary Examiner — Nanda Bondade

(74) *Attorney, Agent, or Firm* — Klein, O’Neill & Singh,
LLP

(57) **CLAIM**

The ornamental design for an audio speaker, as shown and described.

DESCRIPTION

FIG. 1 is perspective view of an audio speaker of the present invention;

FIG. 2 is a top plan view of FIG. 1;

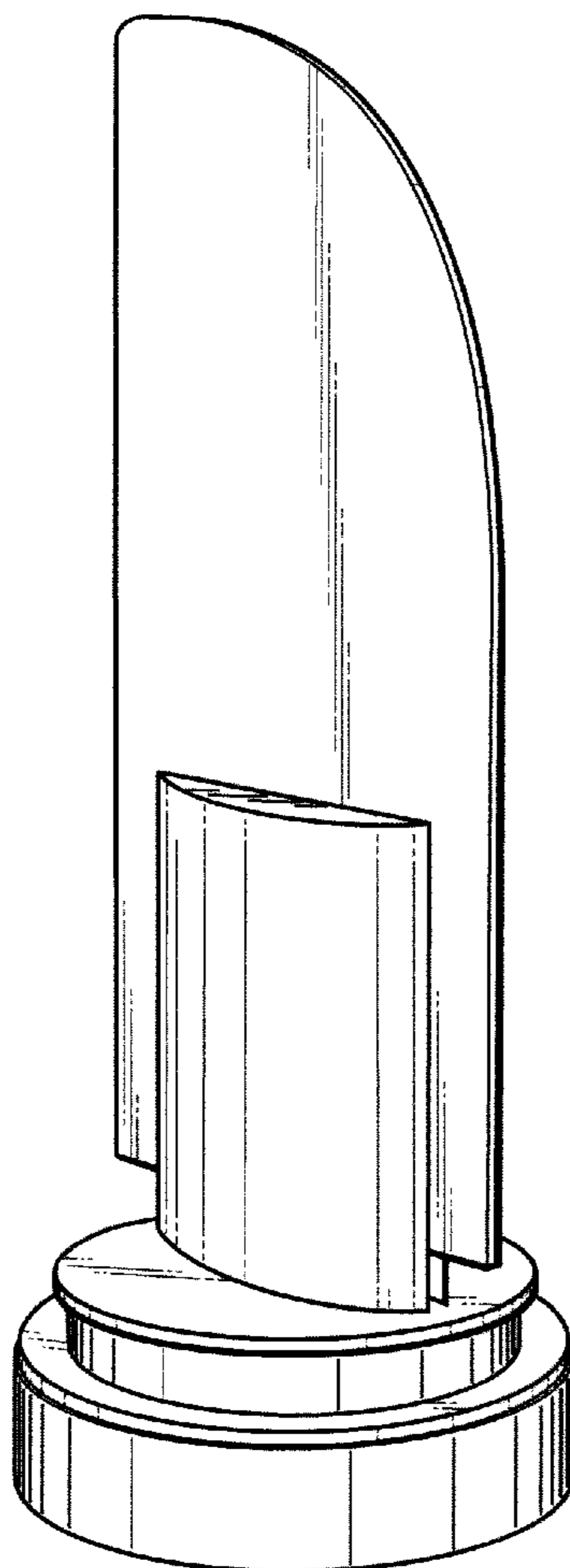
FIG. 3 is a first side view of FIG. 1;

FIG. 4 is a rear elevation view of FIG. 1;

FIG. 5 is a front elevation view of FIG. 1; and,

FIG. 6 is a second side view of FIG. 1.

1 Claim, 3 Drawing Sheets



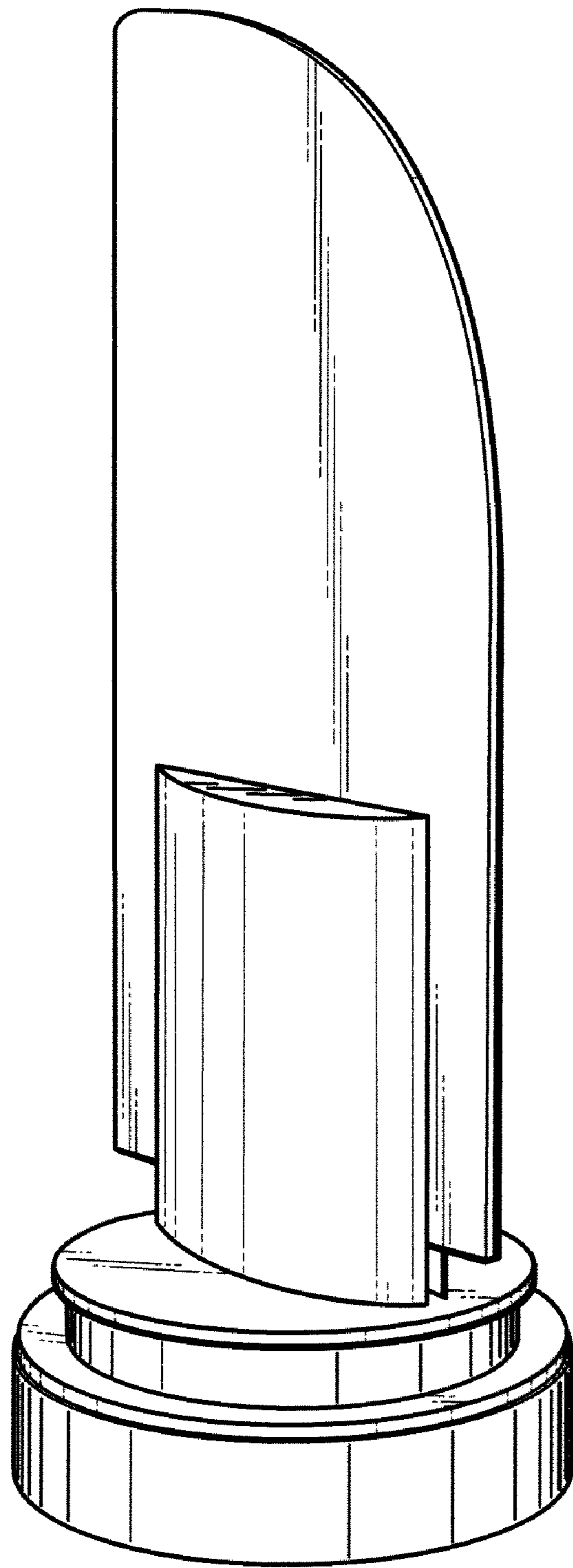


FIG. 1

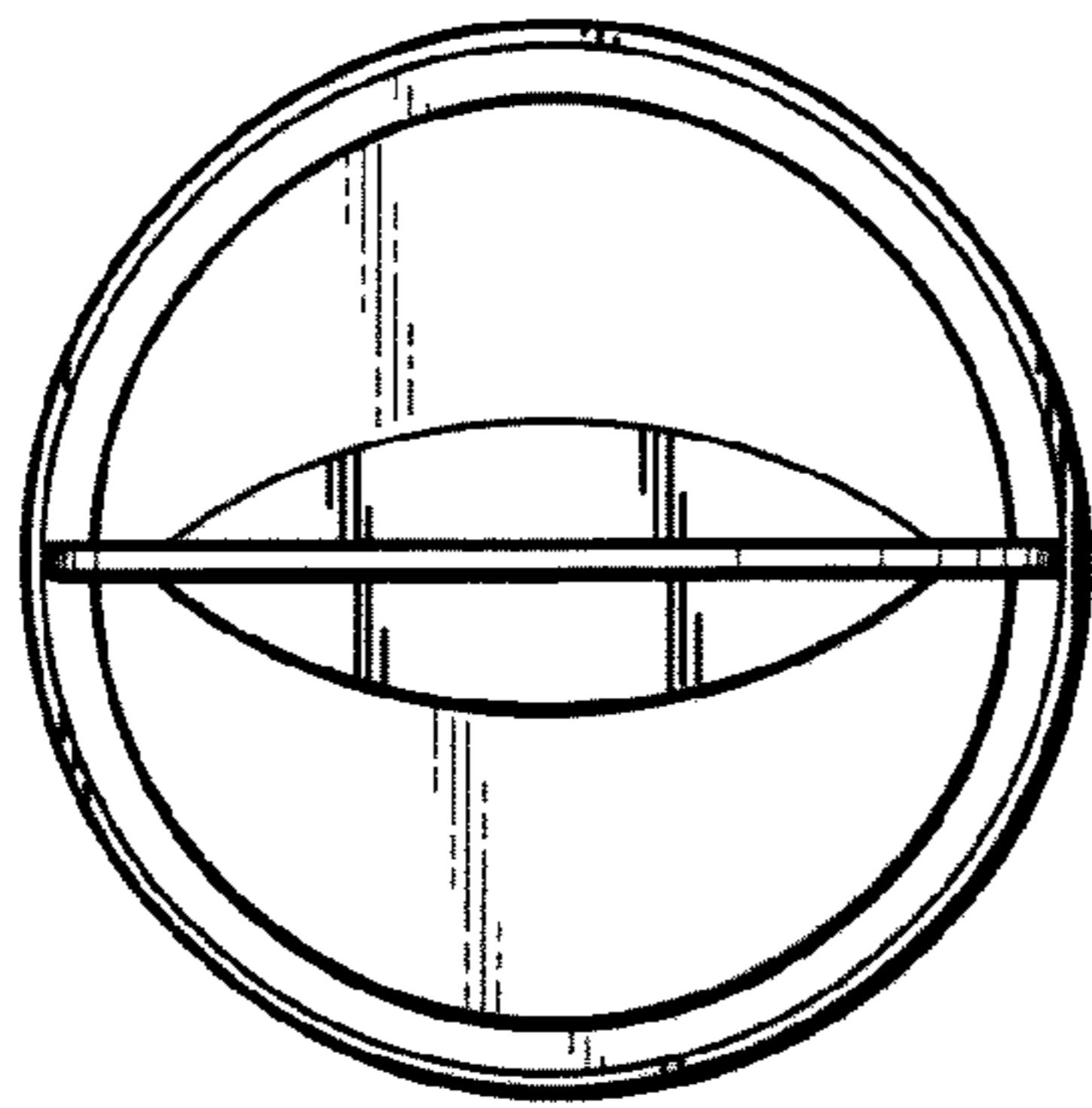


FIG. 2

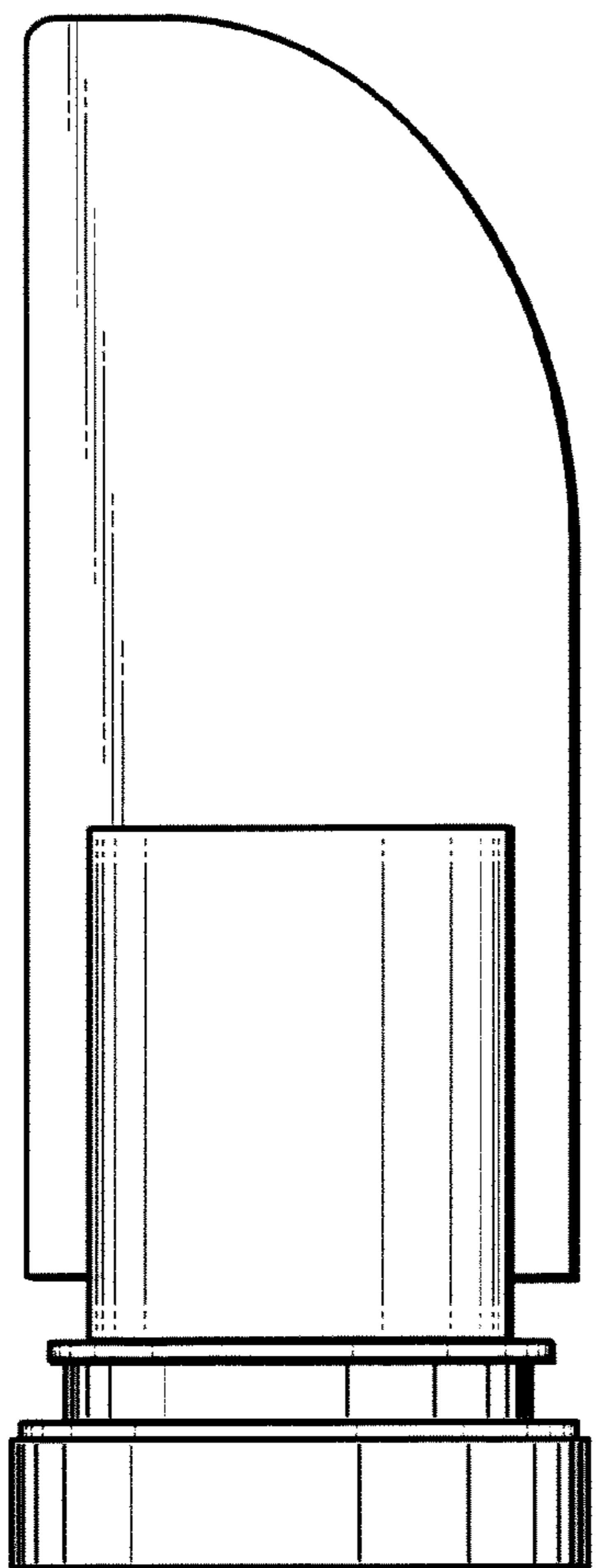


FIG. 3

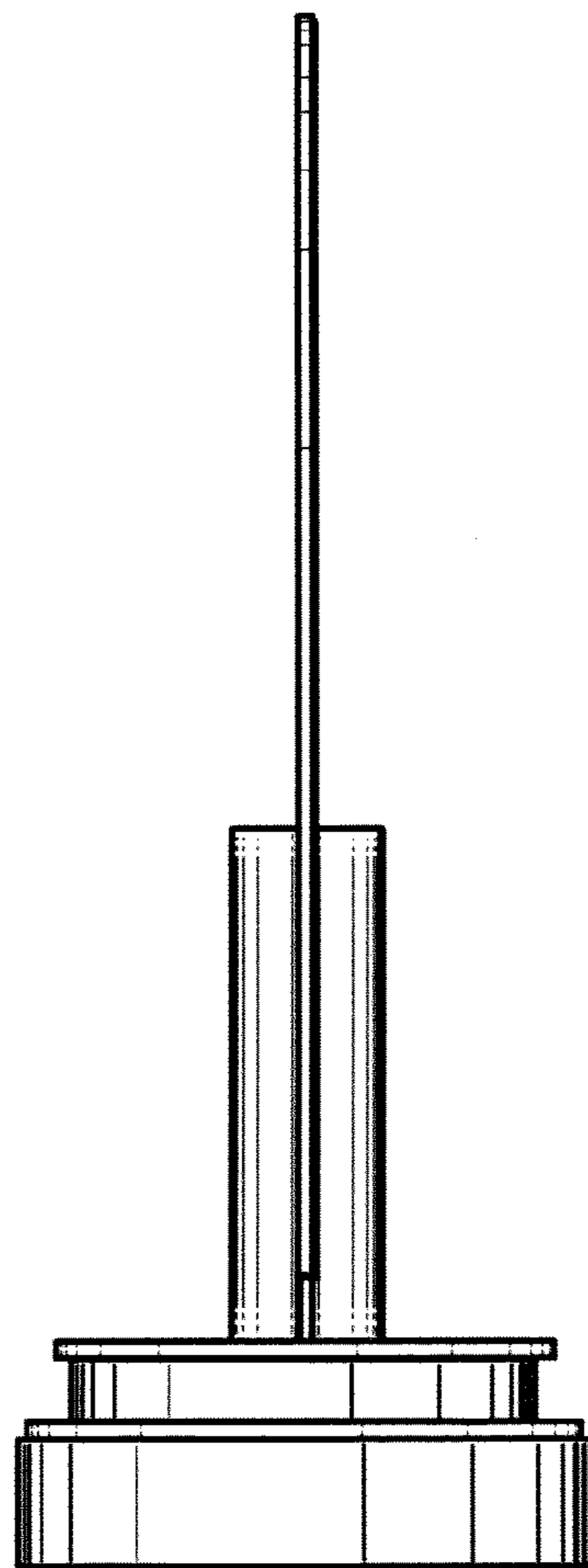


FIG. 4

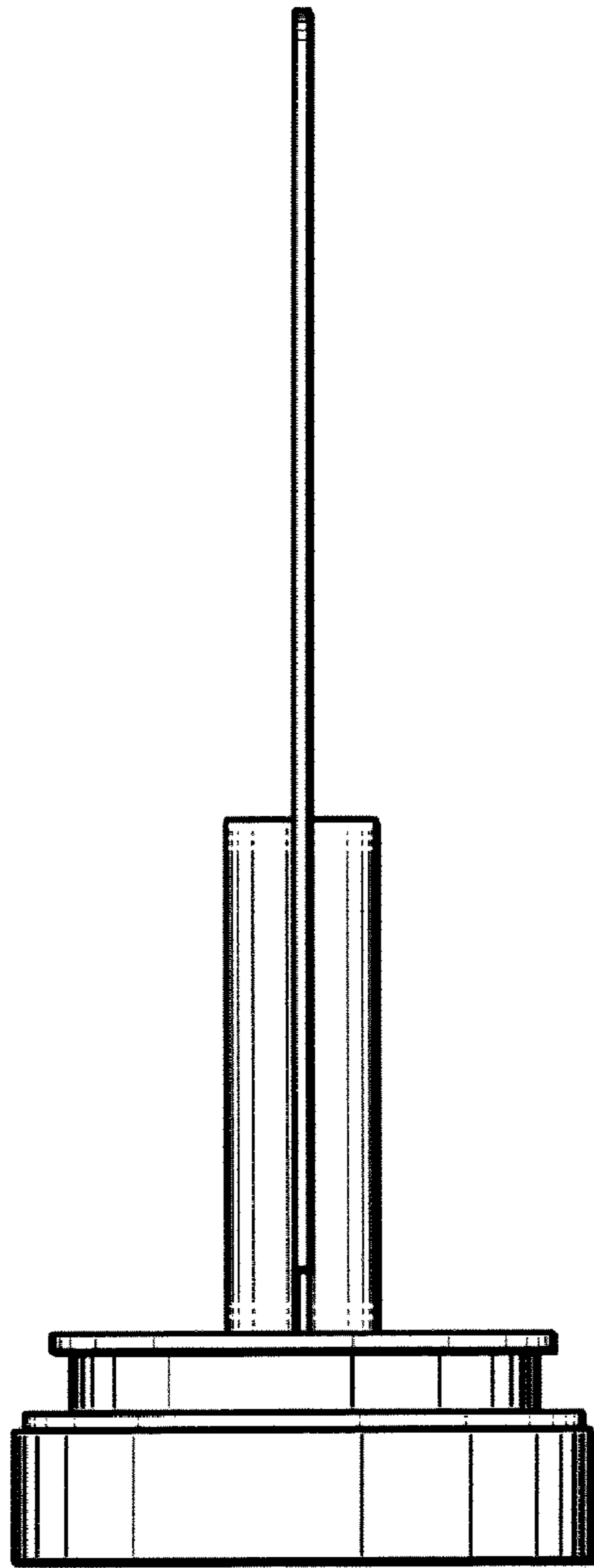


FIG. 5

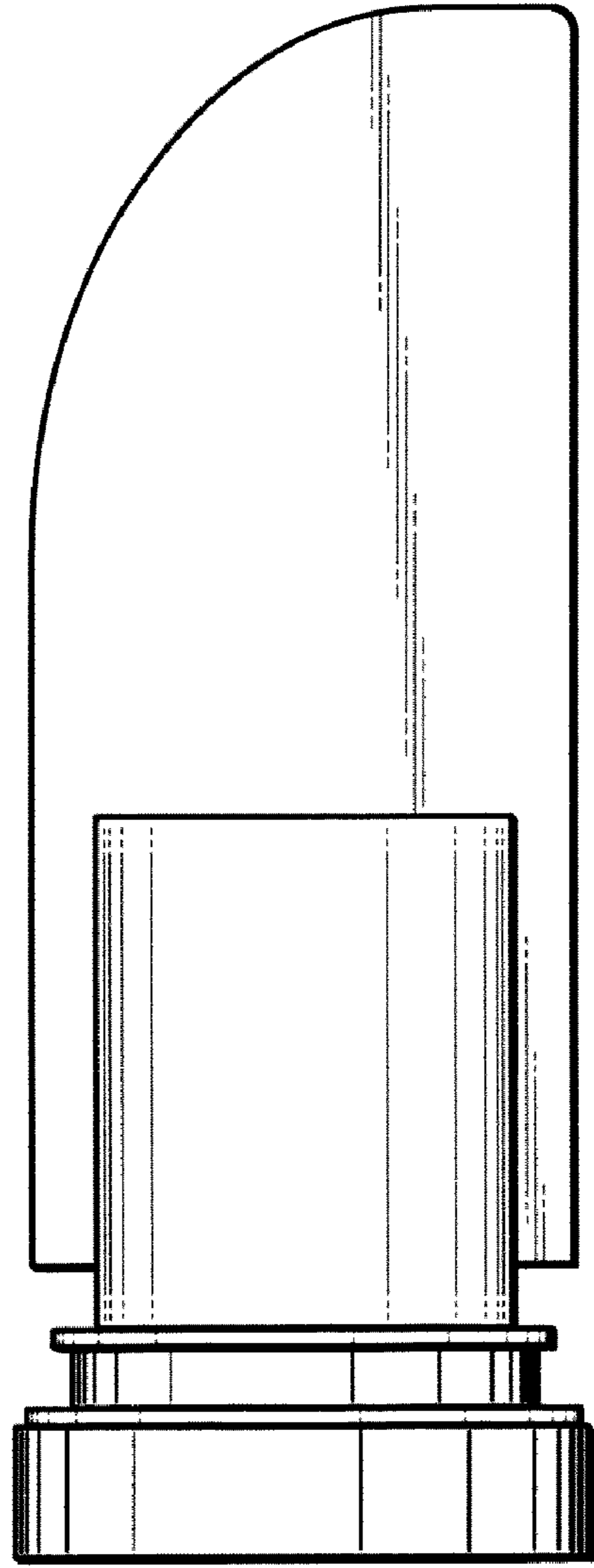


FIG. 6