



US00D640234S

(12) **United States Design Patent**  
**Fathollahi**

(10) **Patent No.:** **US D640,234 S**  
(45) **Date of Patent:** **\*\* Jun. 21, 2011**

(54) **AUDIO SPEAKER**

(76) Inventor: **Nausser Fathollahi**, Irvine, CA (US)

(\*\*) Term: **14 Years**

(21) Appl. No.: **29/366,570**

(22) Filed: **Jul. 27, 2010**

(51) **LOC (9) Cl.** ..... **14-01**

(52) **U.S. Cl.** ..... **D14/211; D14/214**

(58) **Field of Classification Search** ..... D14/204,  
D14/207, 209.1, 210–216, 172, 168; 181/143–144,  
181/147–148, 150–153, 157, 198–199;  
381/300–303, 306, 332–333, 336, 345, 361–364,  
381/386–388

See application file for complete search history.

(56) **References Cited**

**U.S. PATENT DOCUMENTS**

D256,463 S *	8/1980	Barcus et al. ....	D14/212
D272,343 S *	1/1984	Matsubara ....	D14/214
D394,064 S *	5/1998	Freadman ....	D14/214
D587,676 S *	3/2009	Alberdi Alorda ....	D14/188

\* cited by examiner

*Primary Examiner* — Nanda Bondade

(74) *Attorney, Agent, or Firm* — Klein, O'Neill & Singh, LLP

(57) **CLAIM**

The ornamental design for an audio speaker, as shown and described.

**DESCRIPTION**

FIG. 1 is perspective view of an audio speaker of the present invention;

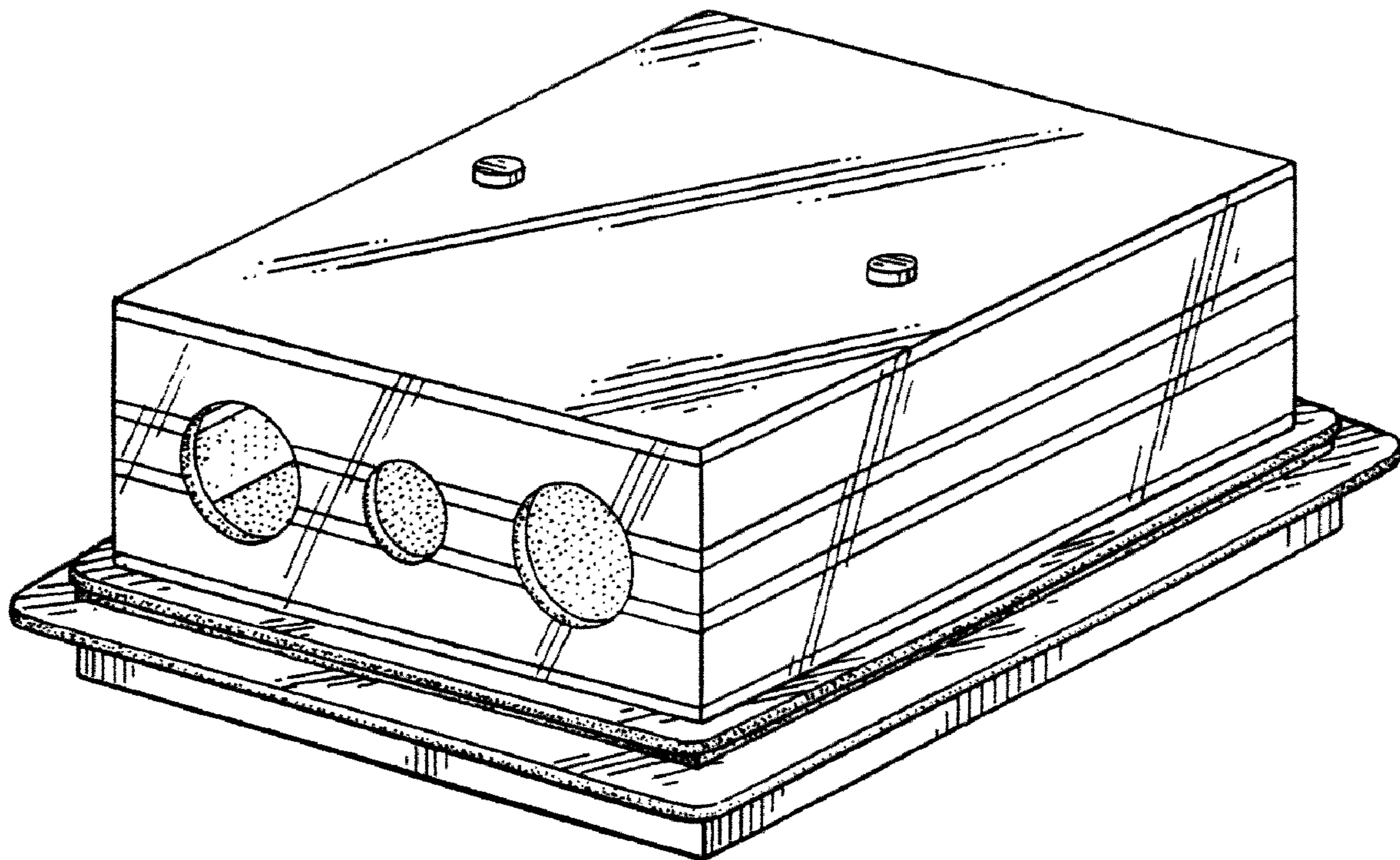
FIG. 2 is a top plan view of FIG. 1;

FIG. 3 is a front elevation view of FIG. 1;

FIG. 4 is a rear elevation view of FIG. 1; and,

FIG. 5 is a side elevation view of FIG. 1, the opposing side being identical.

**1 Claim, 3 Drawing Sheets**



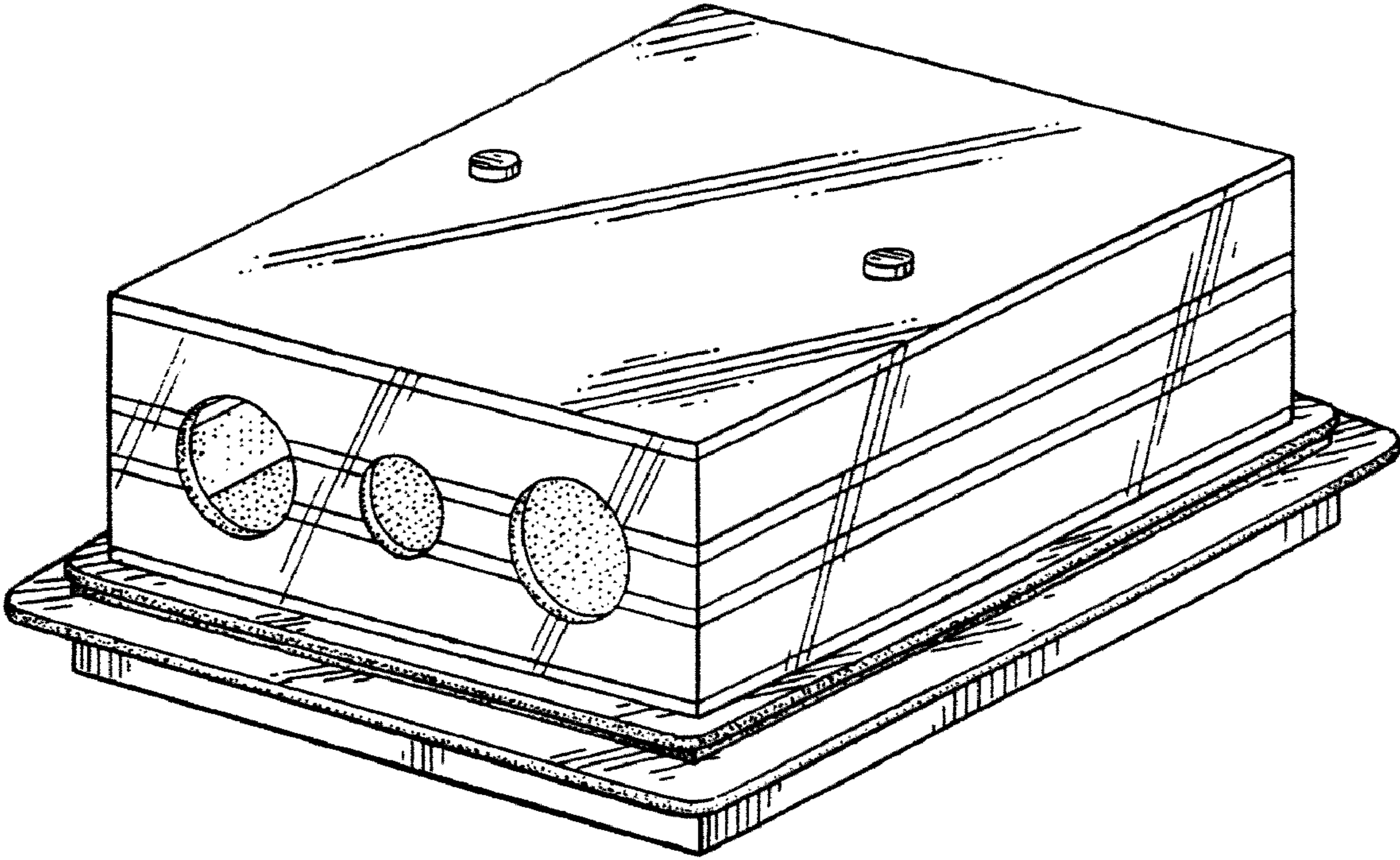
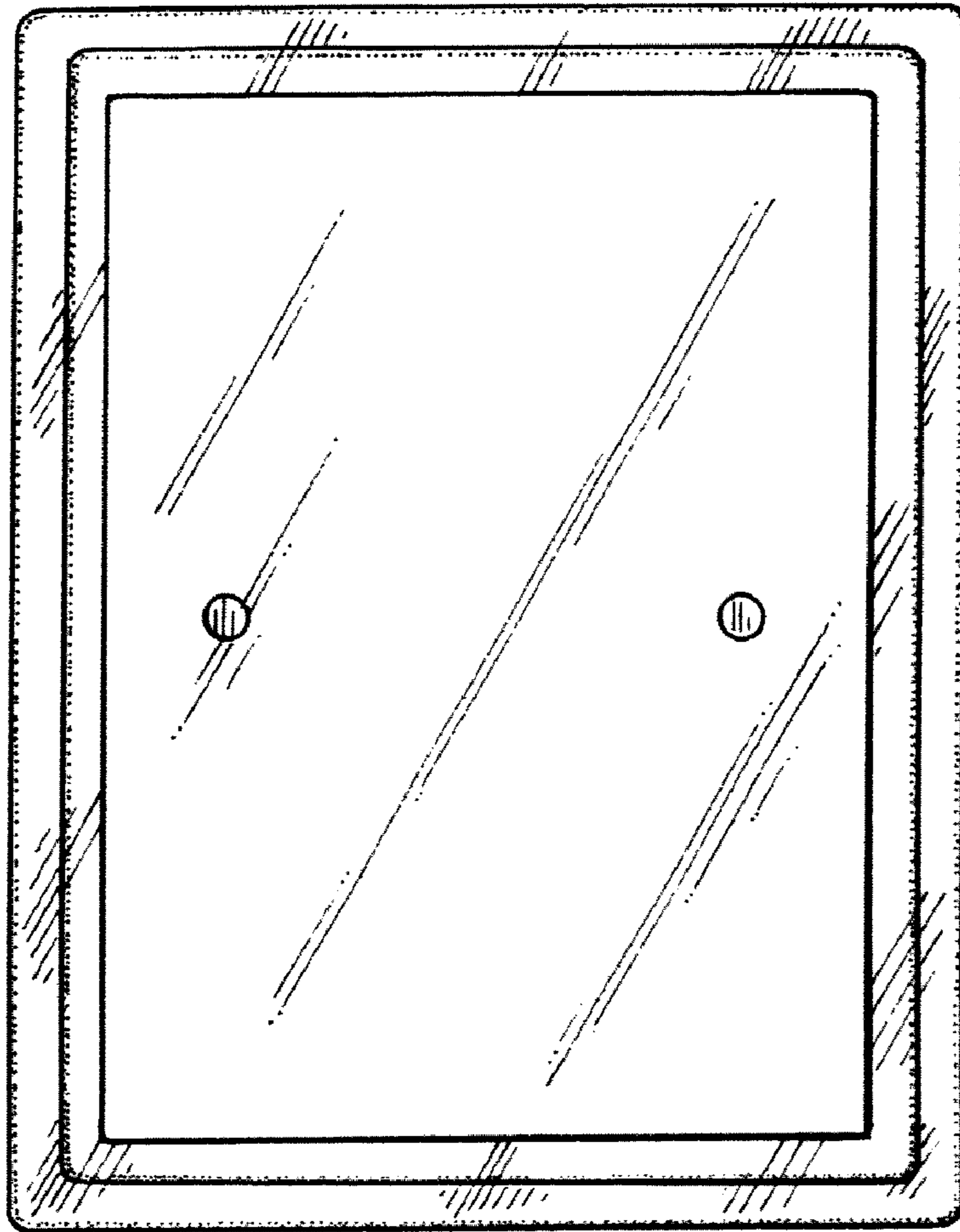
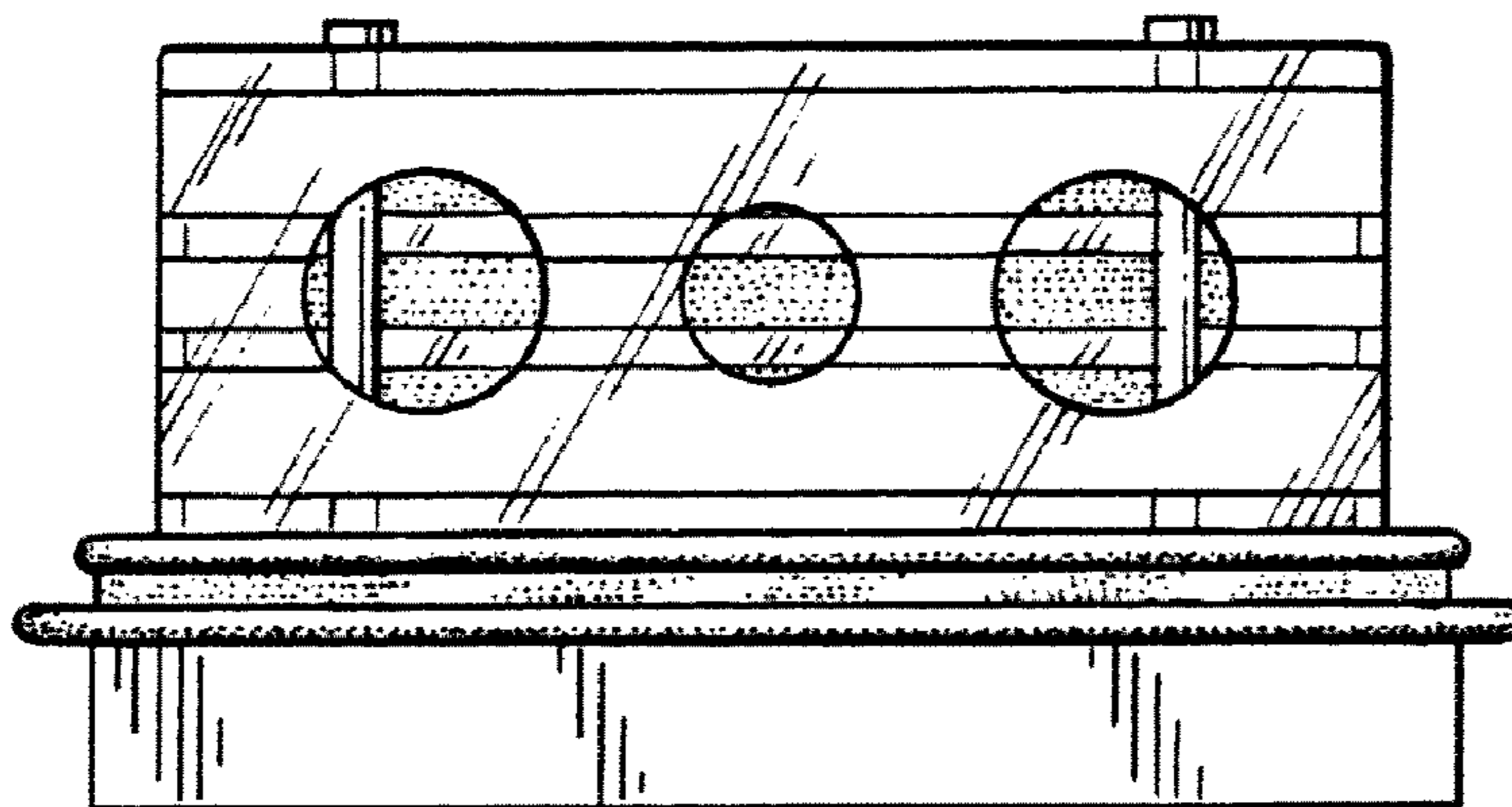


Fig. 1

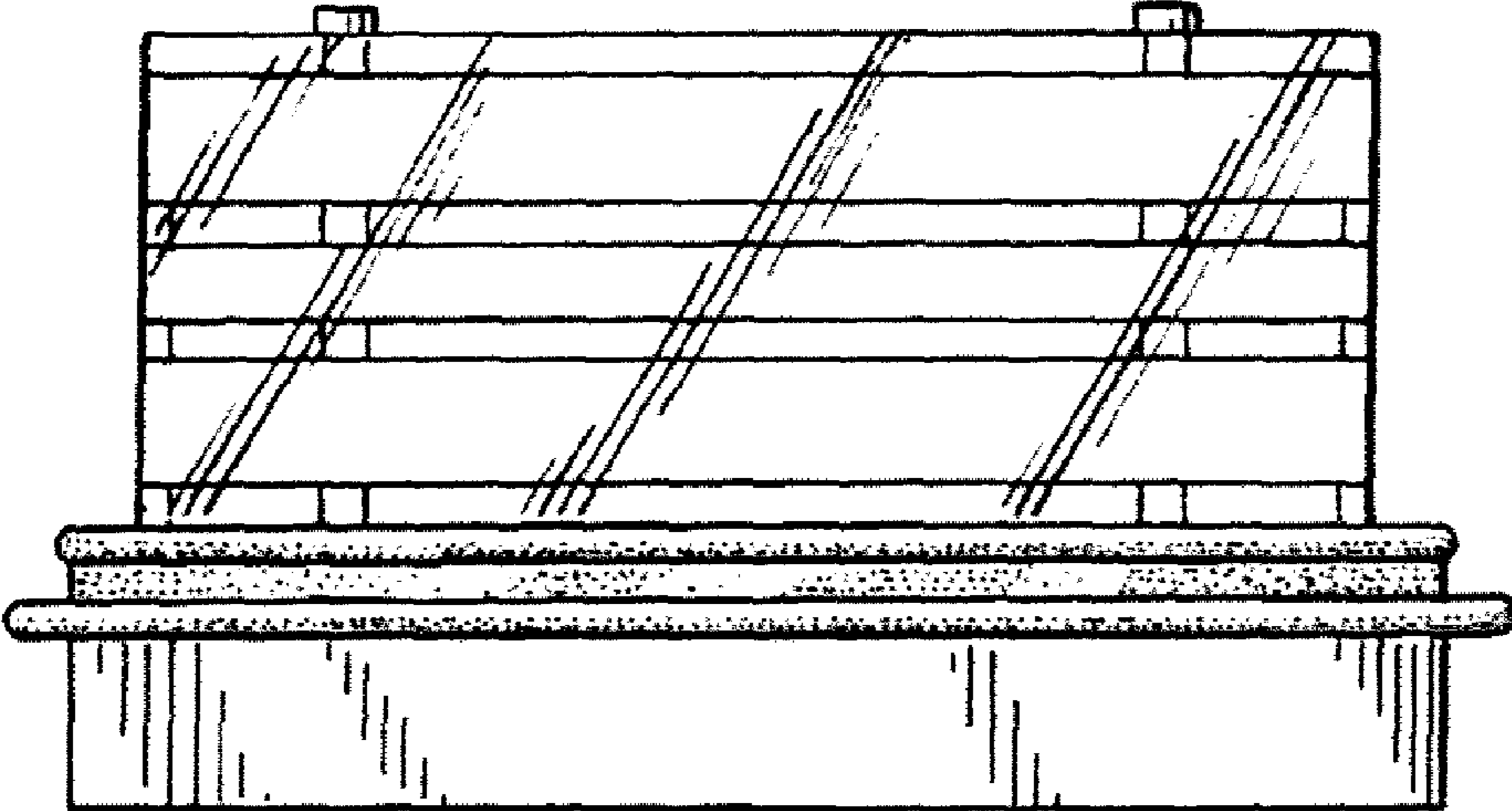


**Fig. 2**

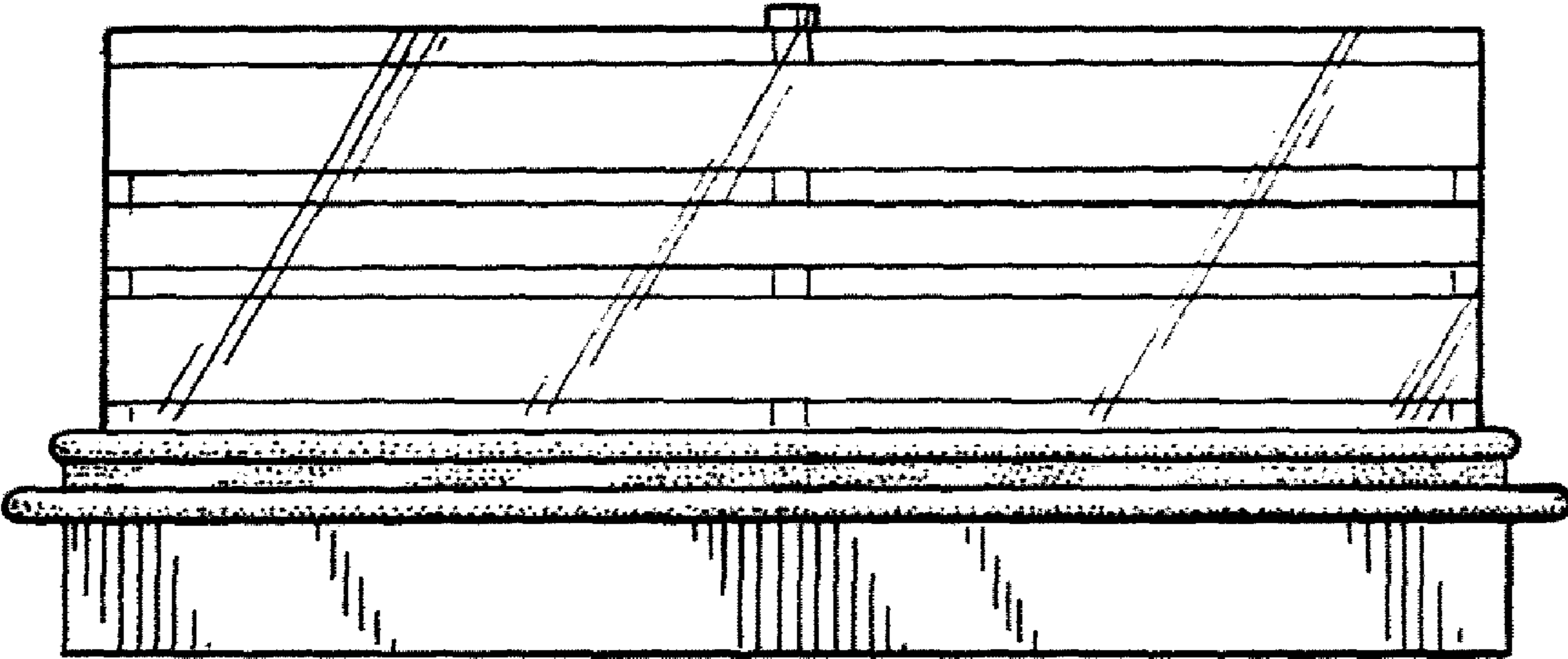


**Fig. 3**





**Fig. 4**



**Fig. 5**