

US00D640229S

(12) **United States Design Patent**
Sakai et al.

(10) **Patent No.:** **US D640,229 S**
(45) **Date of Patent:** **** Jun. 21, 2011**

(54) **VOICE RECORDING/REPRODUCING DEVICE**

(75) Inventors: **Koji Sakai**, Hachioji (JP); **Yoshihiro Hayashi**, Hachioji (JP)

(73) Assignee: **Olympus Imaging Corp.**, Tokyo (JP)

(**) Term: **14 Years**

(21) Appl. No.: **29/382,110**

(22) Filed: **Dec. 29, 2010**

(30) **Foreign Application Priority Data**

Nov. 25, 2010 (JP) 2010-028173

(51) **LOC (9) Cl.** **14-01**

(52) **U.S. Cl.** **D14/167**

(58) **Field of Classification Search** D14/167,
D14/154, 168, 188, 496, 156, 160, 161, 162,
D14/163, 164, 165, 158, 203.1, 341, 346,
D14/342, 345, 225, 226, 228, 227, 214; 455/351,
455/350; D19/60, 62; D21/330; 369/44.14,
369/44.32; 700/94

See application file for complete search history.

(56) **References Cited**

U.S. PATENT DOCUMENTS

D533,861 S * 12/2006 Amano D14/167
D558,183 S * 12/2007 Aoki D14/167
D567,798 S * 4/2008 Oka D14/167
D571,778 S * 6/2008 Aoki D14/167

D578,994 S * 10/2008 Oka D14/167
D583,797 S * 12/2008 Obata D14/167
D592,635 S * 5/2009 Obata et al. D14/167
D598,891 S * 8/2009 Naito D14/167
D601,120 S * 9/2009 Aoki D14/167
D609,689 S * 2/2010 Obata D14/167

OTHER PUBLICATIONS

U.S. Appl. No. 29/382,106, First Named Inventor: Koji Sakai; Title: "Voice Recording/Reproducing Device"; Filed: Dec. 29, 2010.

U.S. Appl. No. 29/382,111, First Named Inventor: Koji Sakai; Title: "Voice Recording/Reproducing Device"; Filed: Dec. 29, 2010.

* cited by examiner

Primary Examiner — Austin Murphy

(74) *Attorney, Agent, or Firm* — Holtz, Holtz, Goodman & Chick, PC

(57) **CLAIM**

The ornamental design for a voice recording/reproducing device, as shown.

DESCRIPTION

FIG. 1 is a front, top and right side perspective view of a voice recording/reproducing device showing our new design; FIG. 2 is a front elevational view thereof; FIG. 3 is a rear elevational view thereof; FIG. 4 is a top plan view thereof; FIG. 5 is a bottom plan view thereof; FIG. 6 is a right side elevational view thereof; and, FIG. 7 is a left side elevational view thereof.

1 Claim, 5 Drawing Sheets

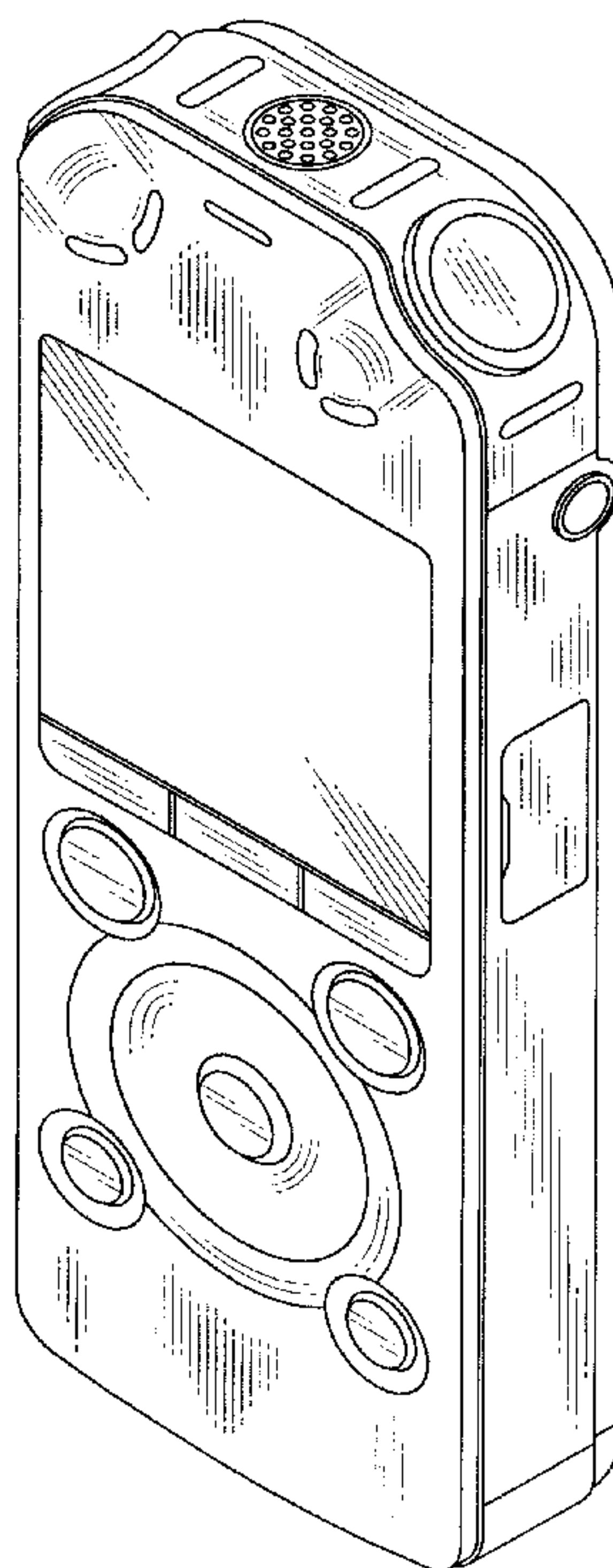


FIG. 1

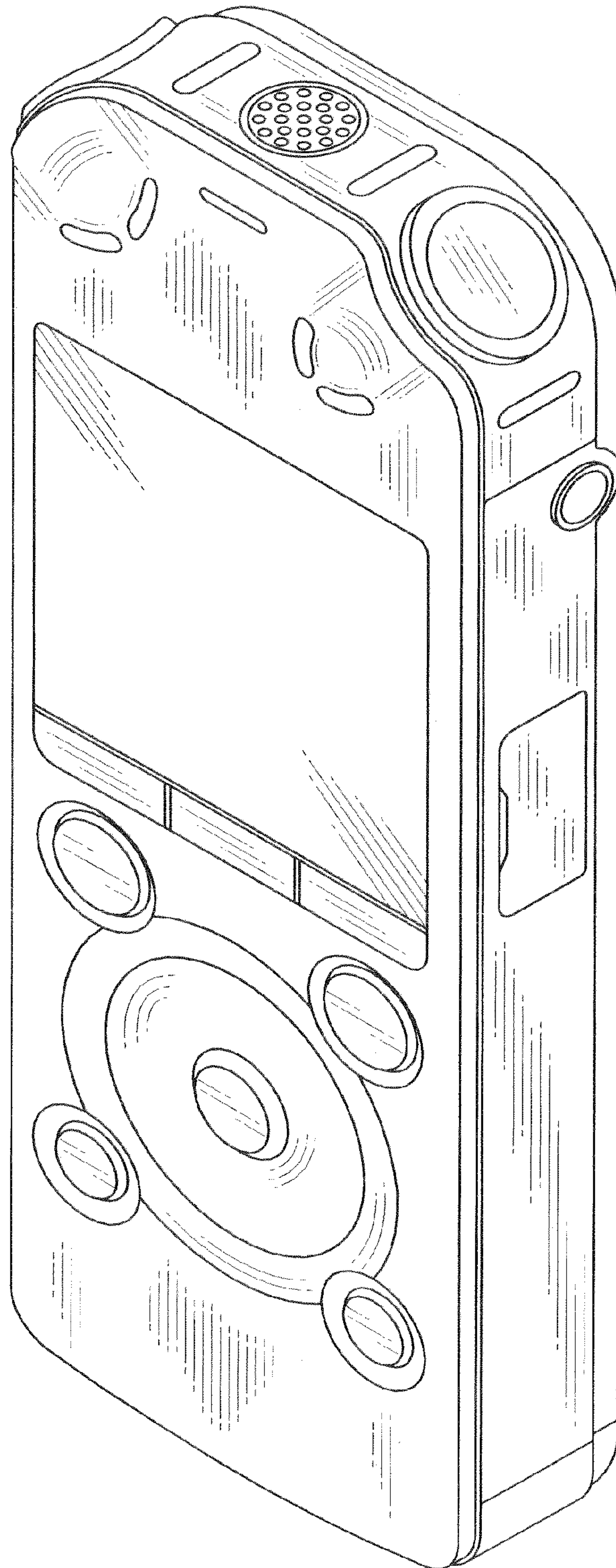


FIG.2

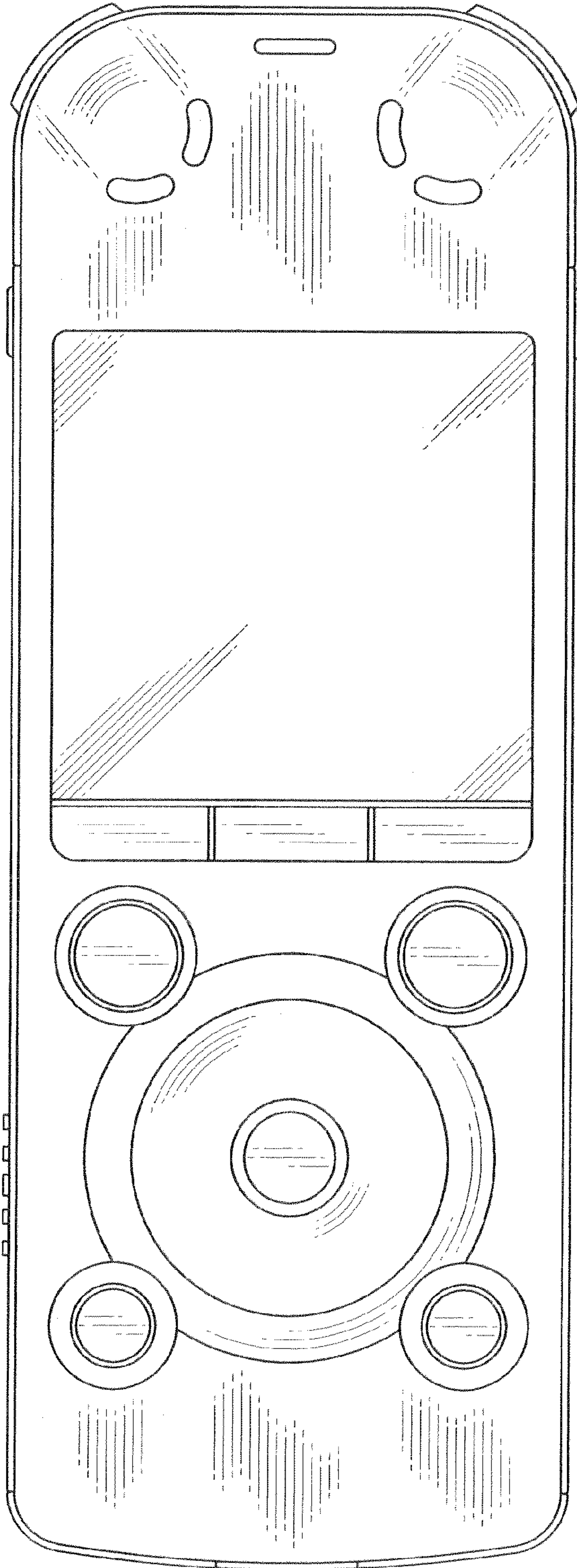


FIG.3

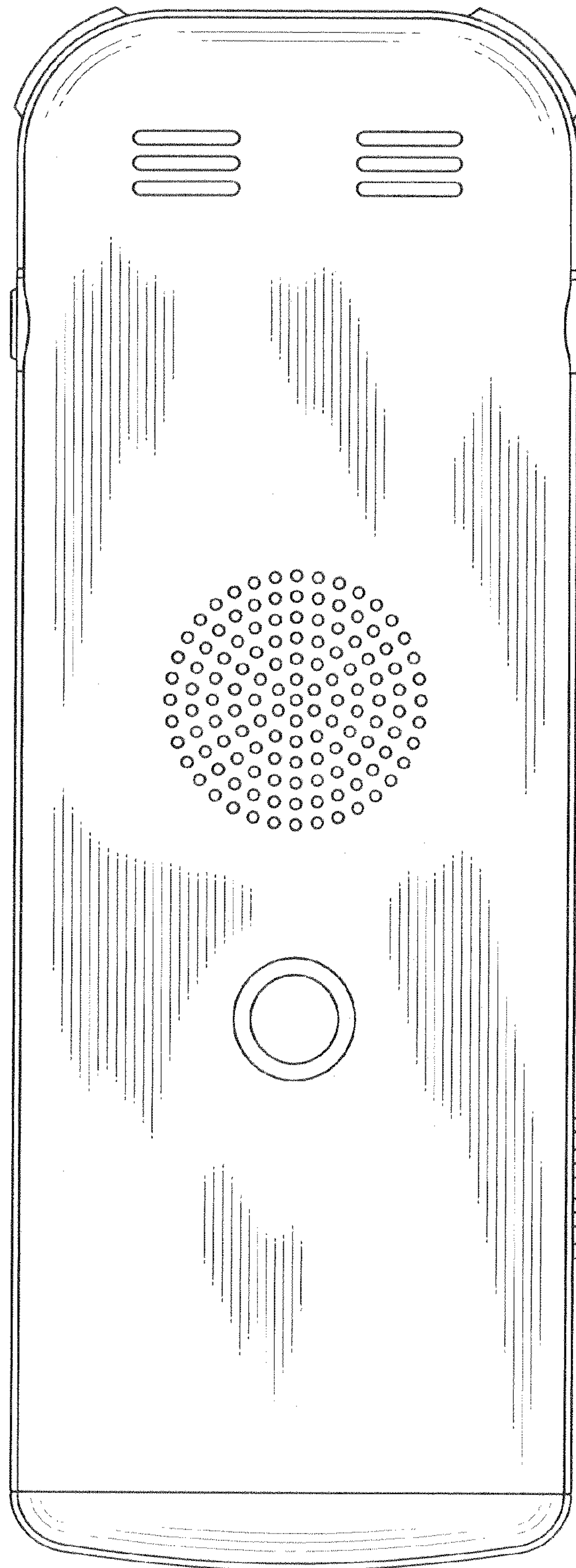


FIG.4

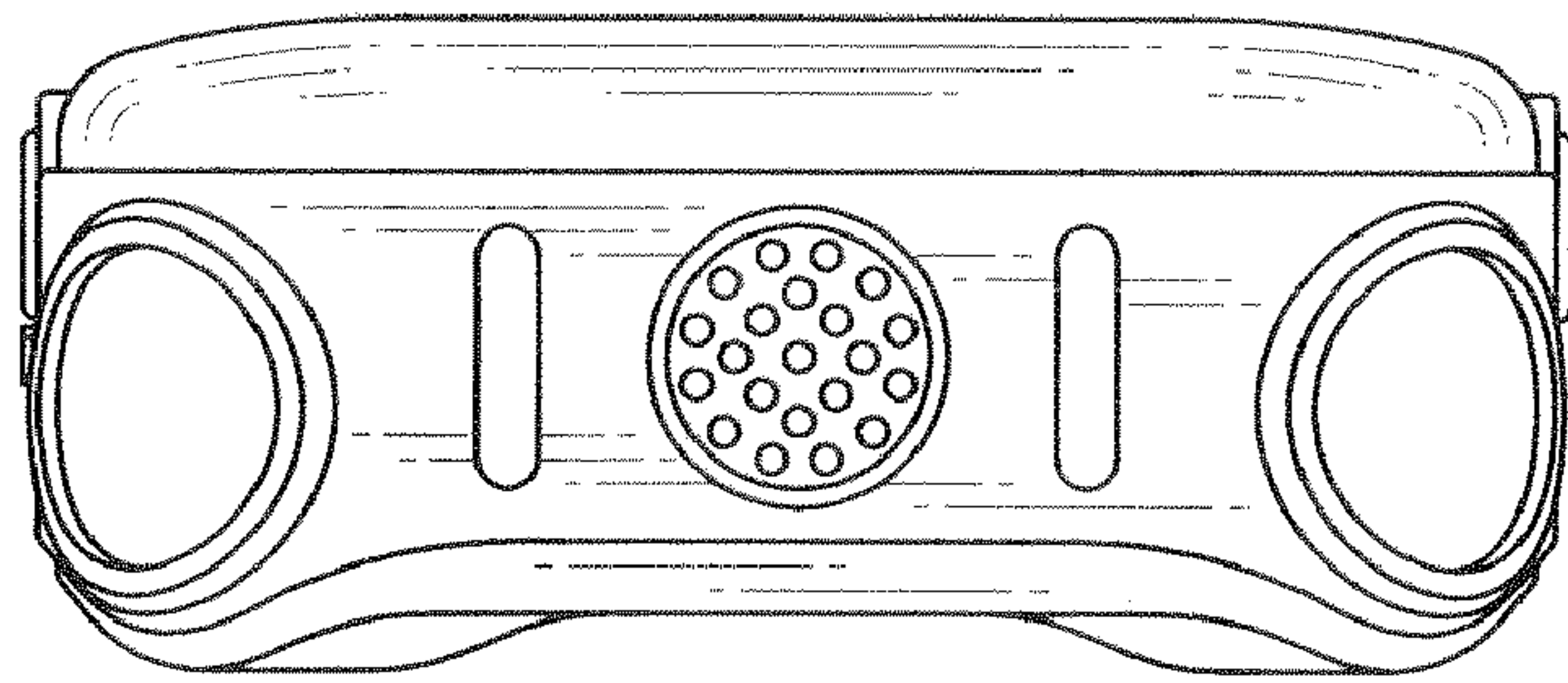


FIG.5

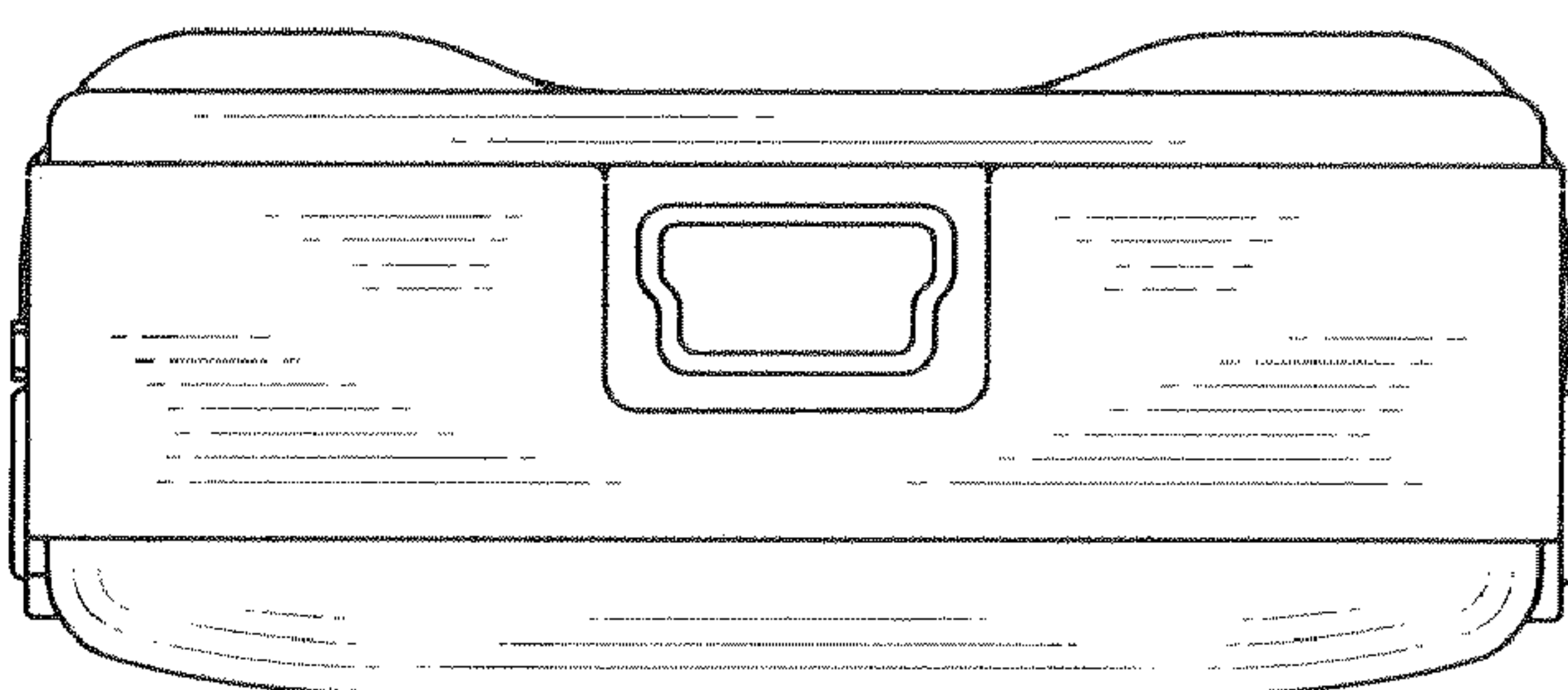


FIG.6

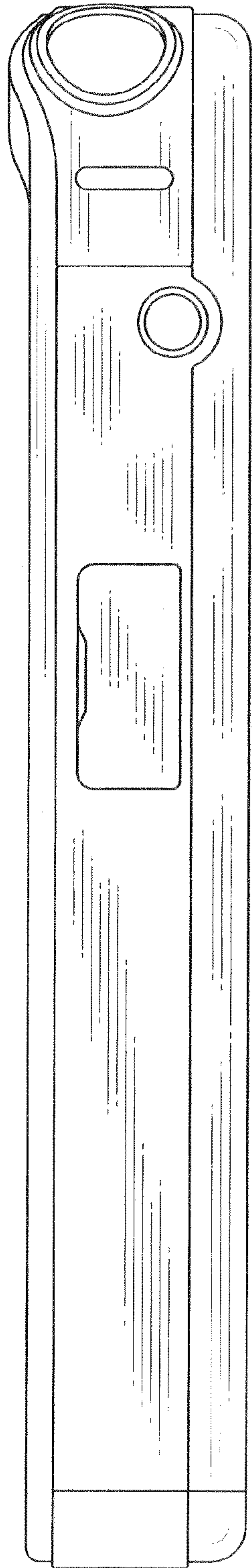


FIG.7

