



US00D640228S

(12) **United States Design Patent**
Sakai et al.

(10) **Patent No.:** **US D640,228 S**
(45) **Date of Patent:** **** Jun. 21, 2011**

(54) **VOICE RECORDING/REPRODUCING
DEVICE**

(75) Inventors: **Koji Sakai**, Hachioji (JP); **Yoshihiro
Hayashi**, Hachioji (JP)

(73) Assignee: **Olympus Imaging Corp.**, Tokyo (JP)

(**) Term: **14 Years**

(21) Appl. No.: **29/382,106**

(22) Filed: **Dec. 29, 2010**

(30) **Foreign Application Priority Data**

Nov. 25, 2010 (JP) 2010-028174

(51) **LOC (9) Cl.** **14-01**

(52) **U.S. Cl.** **D14/167**

(58) **Field of Classification Search** D14/167,
D14/154, 168, 188, 496, 156, 160, 161, 162,
D14/163, 164, 165, 158, 203.1, 341, 346,
D14/342, 345, 225, 226, 228, 227, 214; 455/351,
455/350; D19/60, 62; D21/330; 369/44.14,
369/44.32; 700/94

See application file for complete search history.

(56) **References Cited**

U.S. PATENT DOCUMENTS

D533,862 S * 12/2006 Jinde D14/167
D558,183 S * 12/2007 Aoki D14/167
D575,264 S * 8/2008 Nakajima D14/167
D580,908 S * 11/2008 Nakamura D14/167

D592,178 S * 5/2009 Naito D14/167
D592,635 S * 5/2009 Obata et al. D14/167
D596,155 S * 7/2009 Sakai D14/167
D608,338 S * 1/2010 Myojo D14/167
D609,688 S * 2/2010 Obata D14/167
D609,689 S * 2/2010 Obata D14/167
D618,660 S * 6/2010 Whang et al. D14/167

OTHER PUBLICATIONS

U.S. Appl. No. 29/382,110; First Named Inventor: Koji Sakai; Title:
“Voice Recording/Reproducing Device”, filed Dec. 29, 2010.

U.S. Appl. No. 29/382,111; First Named Inventor: Koji Sakai; Title:
“Voice Recording/Reproducing Device”, filed Dec. 29, 2010.

* cited by examiner

Primary Examiner — Austin Murphy

(74) *Attorney, Agent, or Firm* — Holtz, Holtz, Goodman &
Chick, PC

(57) **CLAIM**

The ornamental design for a voice recording/reproducing
device, as shown.

DESCRIPTION

FIG. 1 is a front, top and right side perspective view of a voice
recording/reproducing device showing our new design;
FIG. 2 is a front elevational view thereof;
FIG. 3 is a rear elevational view thereof;
FIG. 4 is a top plan view thereof;
FIG. 5 is a bottom plan view thereof;
FIG. 6 is a right side elevational view thereof; and,
FIG. 7 is a left side elevational view thereof.

1 Claim, 4 Drawing Sheets

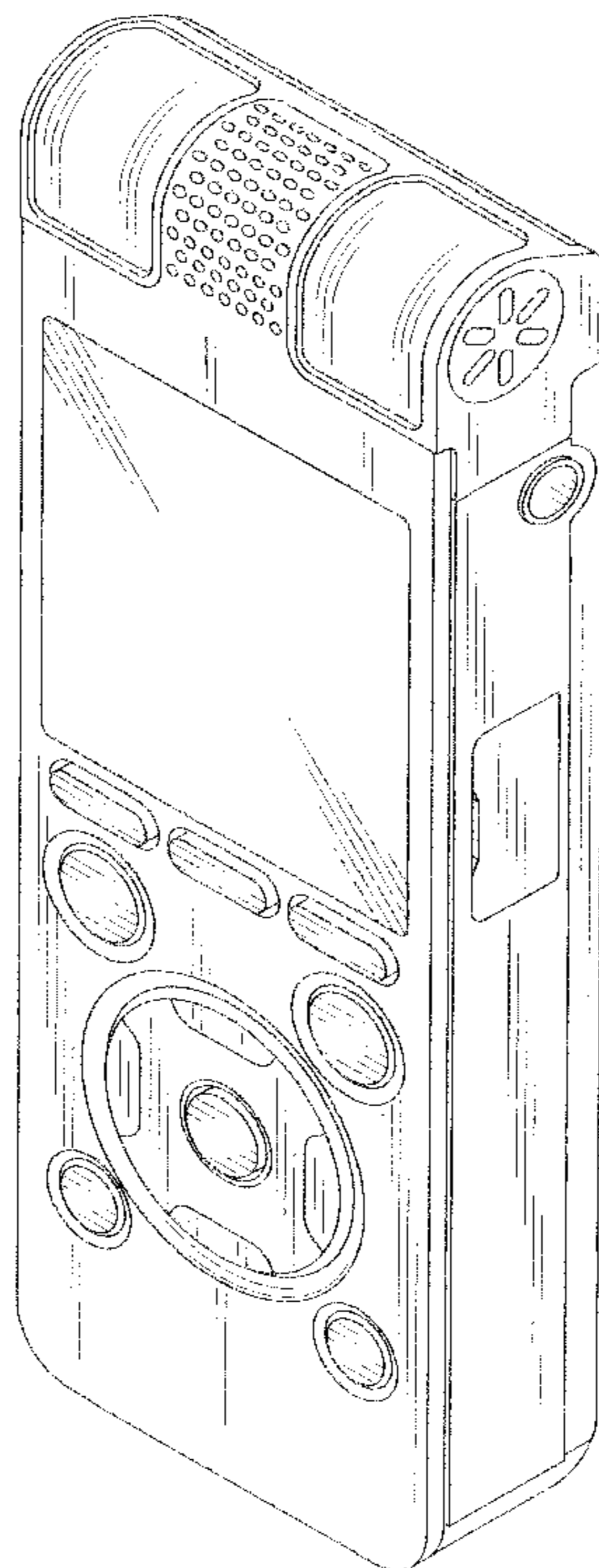


FIG. 1

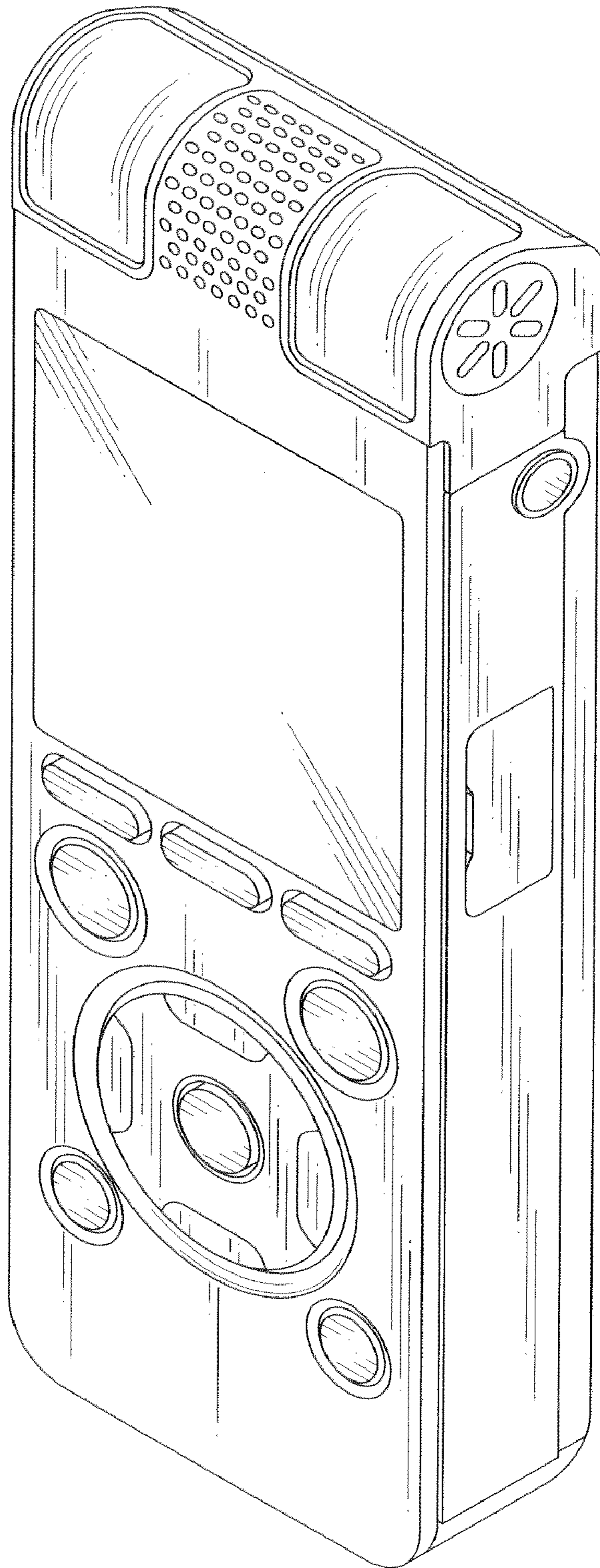


FIG.2

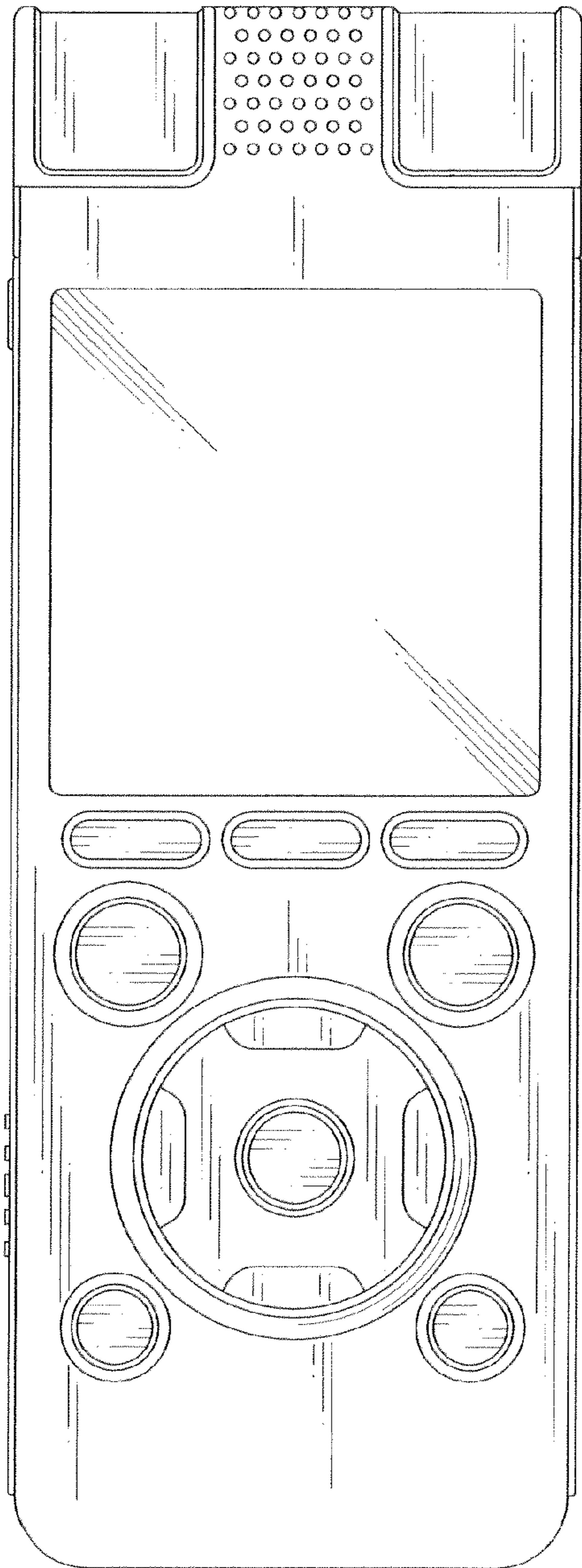


FIG.3

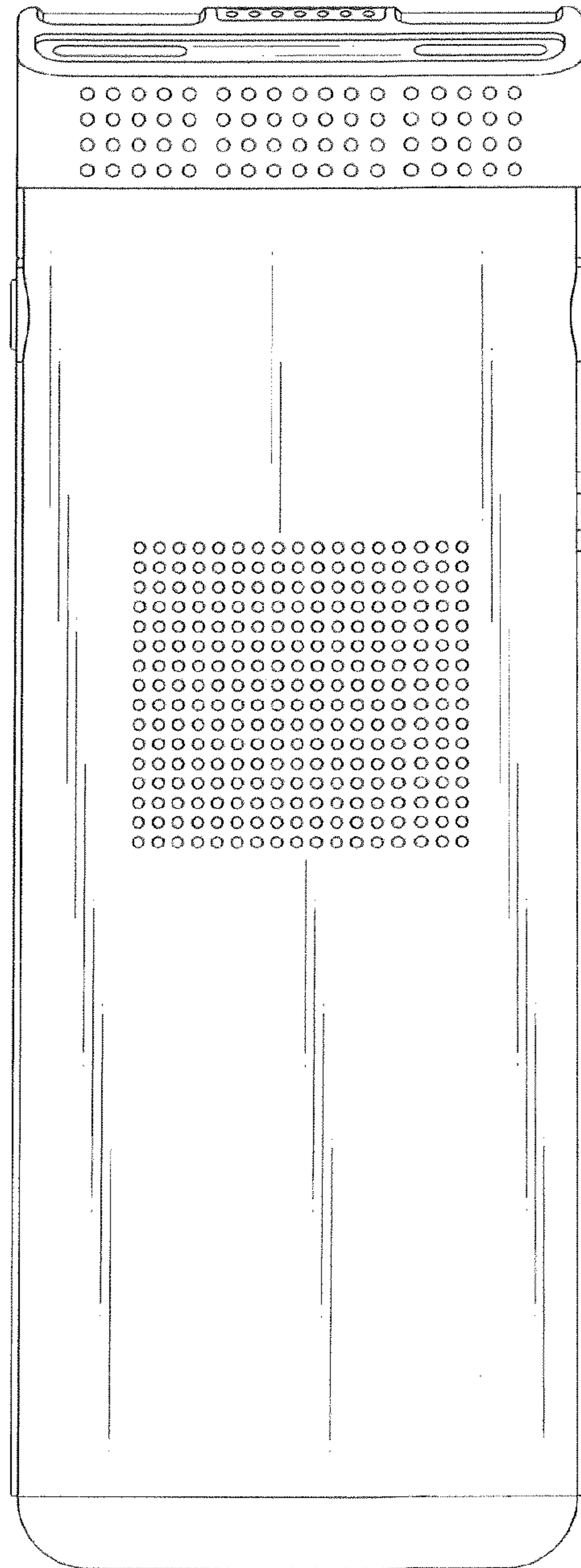


FIG.4

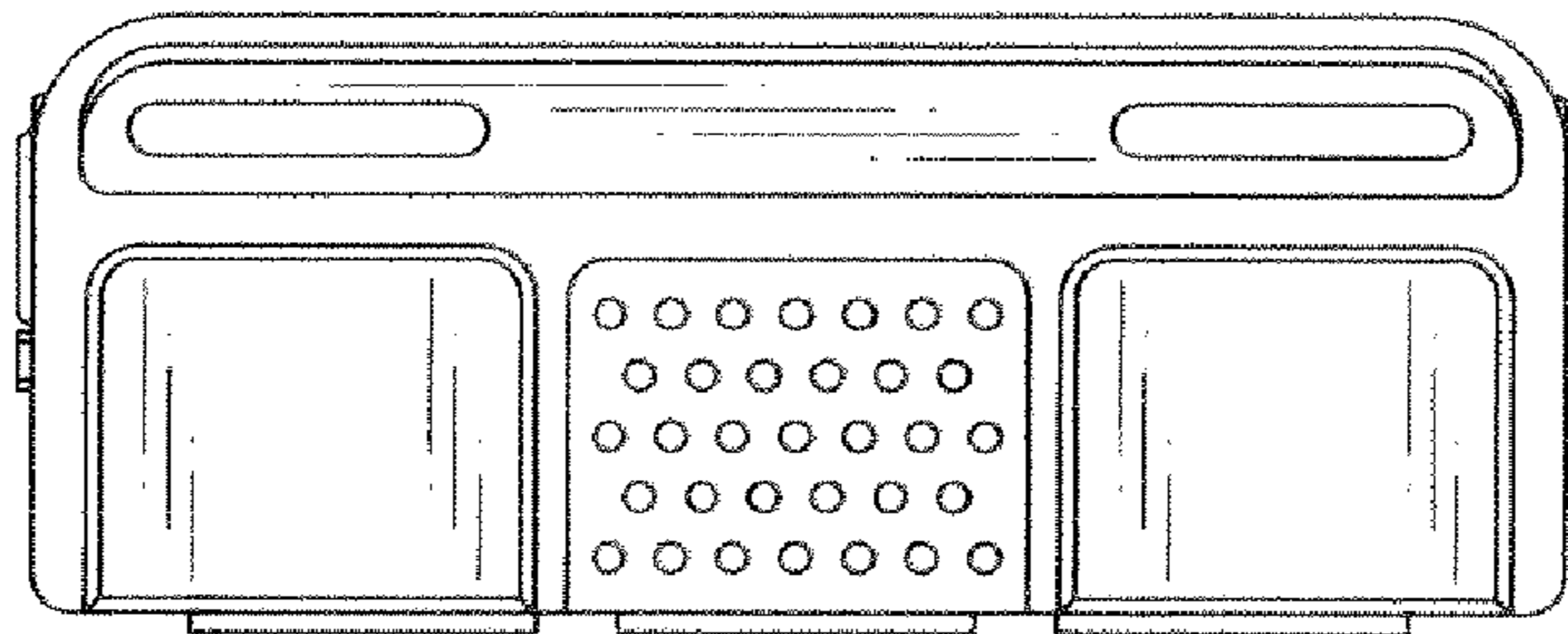


FIG.5

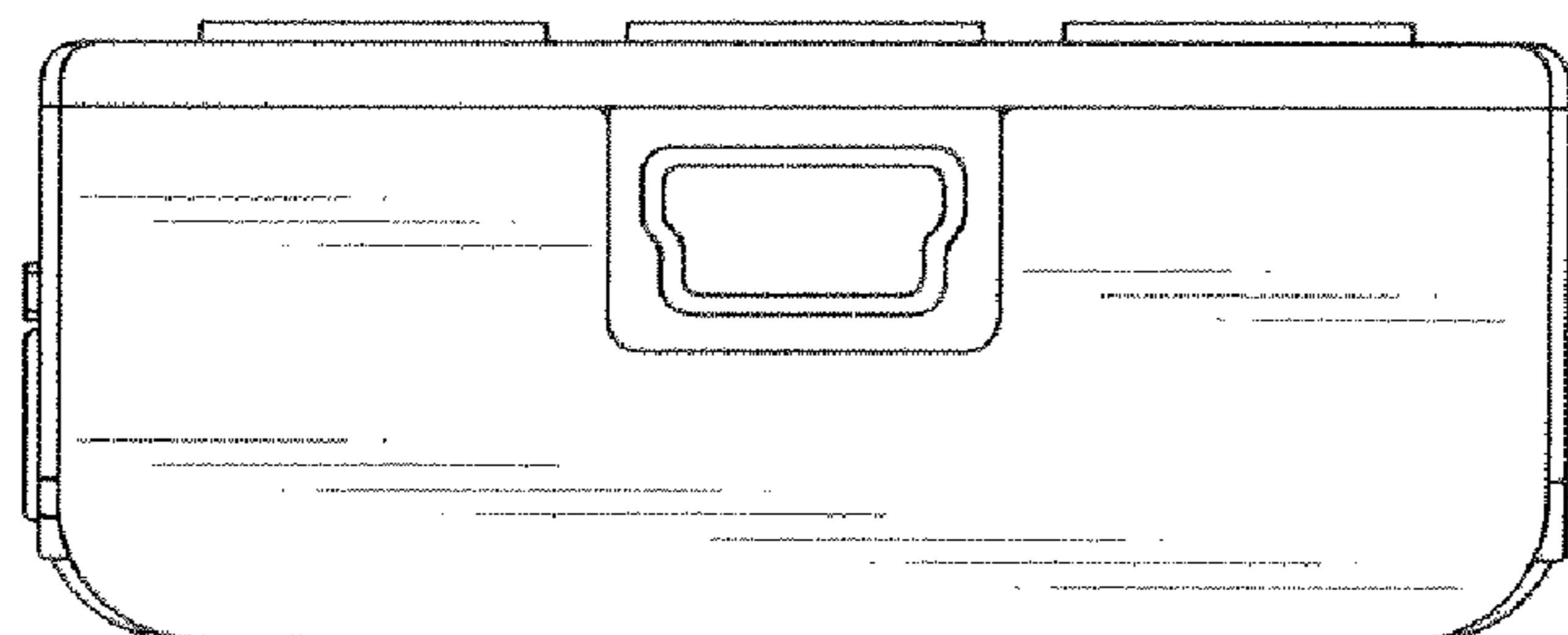


FIG. 6

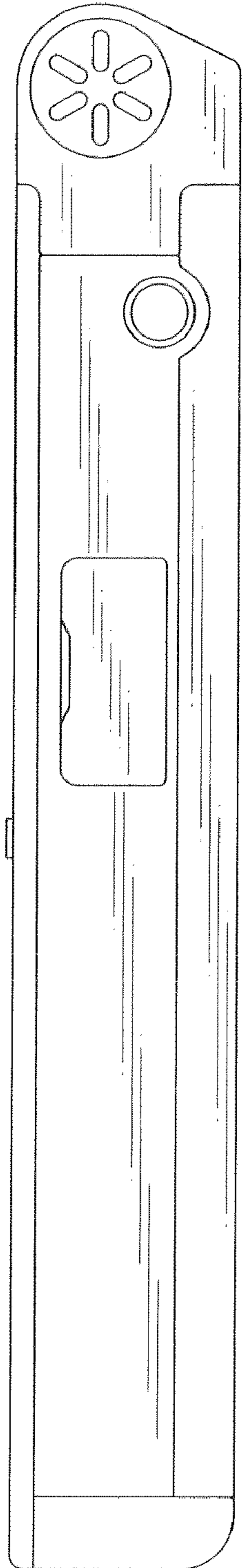


FIG. 7

