



US00D640227S

(12) **United States Design Patent**
Wada

(10) **Patent No.:** **US D640,227 S**

(45) **Date of Patent:** **** *Jun. 21, 2011**

(54) **SPEAKERPHONE**

(75) Inventor: **Isao Wada**, Hamamatsu (JP)

(73) Assignee: **Yamaha Corporation**, Shizuoka (JP)

(*) Notice: This patent is subject to a terminal disclaimer.

(**) Term: **14 Years**

(21) Appl. No.: **29/364,752**

(22) Filed: **Jun. 28, 2010**

Related U.S. Application Data

(63) Continuation of application No. 29/350,722, filed on Nov. 23, 2009, now Pat. No. Des. 620,916.

(30) **Foreign Application Priority Data**

Aug. 31, 2009 (JP) 2009-019988

(51) **LOC (9) Cl.** **14-03**

(52) **U.S. Cl.** **D14/149**

(58) **Field of Classification Search** D14/130,
D14/140, 140.1, 140.8, 141.1, 141.3, 142,
D14/149-151, 158-159, 168, 171-172, 188,
D14/211, 214, 225-226, 240, 243, 251, 253,
D14/299, 336, 215, 167, 210, 212; 379/387.01,
379/388.02, 420.02, 447, 453, 434; 381/16;
D13/107-108; D21/329, 331, 333, 517
See application file for complete search history.

(56) **References Cited**

U.S. PATENT DOCUMENTS

450,378 A * 4/1891 Robinson 451/461
D23,411 S * 7/1894 Faber D19/53
D103,667 S 3/1937 Brogden
2,671,917 A * 3/1954 Martin et al. 15/104.002
D249,650 S * 9/1978 Schoenfeld D10/6
D269,719 S 7/1983 Tovey
D285,071 S * 8/1986 Pushelberg D14/150

D292,580 S 11/1987 Wang
D305,662 S * 1/1990 Niebauer D15/139
D309,161 S 7/1990 Leung
D312,423 S 11/1990 Orlinsky et al.
5,009,896 A 4/1991 Becker
D319,467 S 8/1991 Clowes
5,044,840 A * 9/1991 Fouquer et al. 407/114
D321,187 S 10/1991 Yang
5,105,906 A * 4/1992 Wegner 181/156
D339,996 S 10/1993 Rattley
D342,732 S 12/1993 Hinman et al.
D344,276 S 2/1994 Markusson et al.

(Continued)

OTHER PUBLICATIONS

Full Duplex USB Conference SKYPE VoIP Speaker Phone for windows XP/VISTA SKYPE, <URL:http://www.uxcell.com/full-duplex-usb-conference-skype-speaker-phone-for-windows-xpvista-skype-p-29192.html>, retrieved from internet Nov. 21, 2010.*

(Continued)

Primary Examiner — Rob Spear

Assistant Examiner — Carla Wright

(74) *Attorney, Agent, or Firm* — Sughrue Mion, PLLC

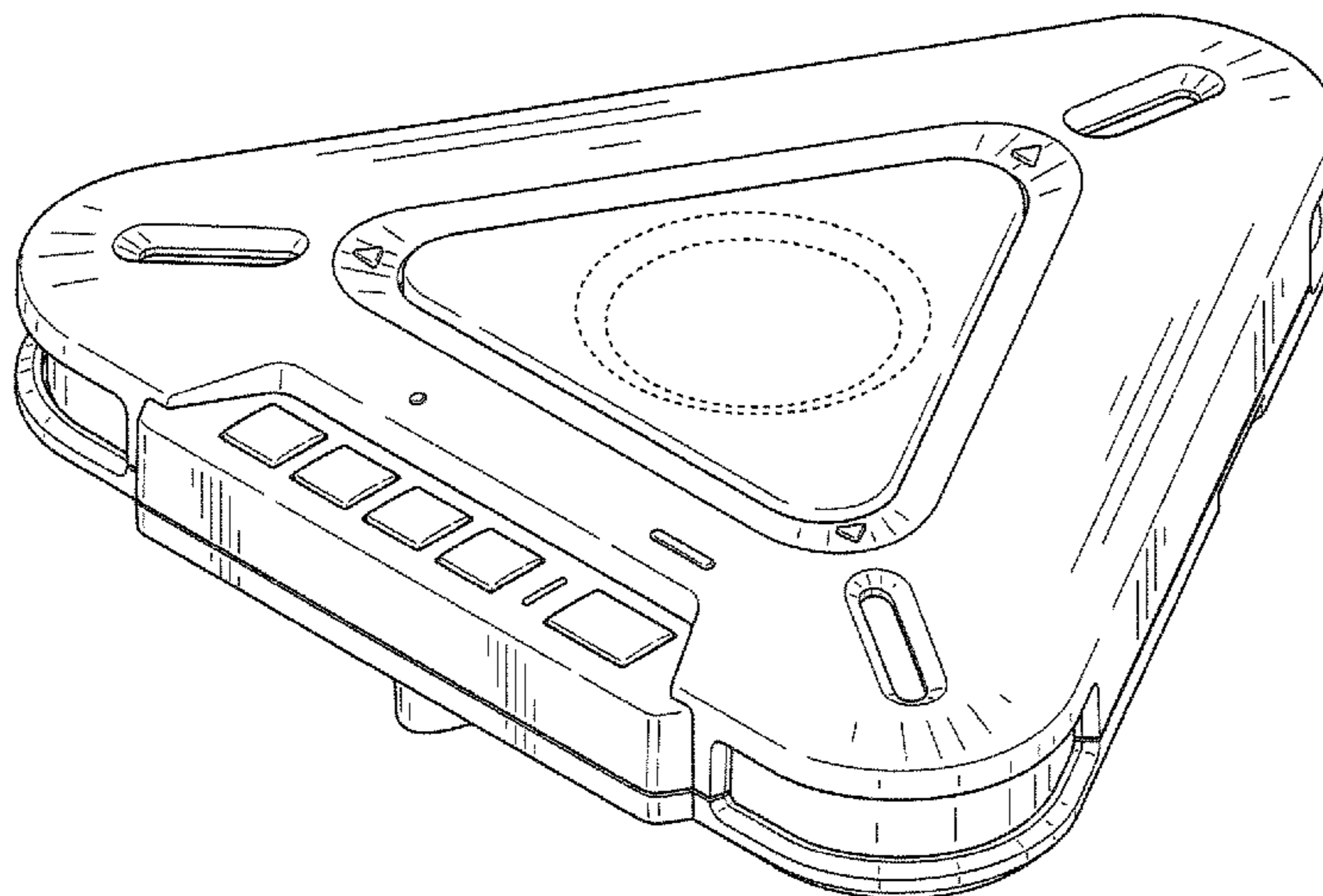
(57) **CLAIM**

The ornamental design for a speakerphone, as shown and described.

DESCRIPTION

FIG. 1 is a perspective view of the bottom, front, and right side of a speakerphone showing my new design;
FIG. 2 is a front view of thereof;
FIG. 3 is a rear view thereof;
FIG. 4 is a left side view thereof;
FIG. 5 is a right side view thereof;
FIG. 6 is a top plan view thereof; and,
FIG. 7 is a bottom view thereof.
In the drawings, the broken lines depict unclaimed environment.

1 Claim, 5 Drawing Sheets



US D640,227 S

Page 2

U.S. PATENT DOCUMENTS

D349,300 S 8/1994 Lau
D353,165 S 12/1994 LeMarr et al.
D353,907 S 12/1994 Doria
D357,685 S 4/1995 Reardon et al.
D363,742 S 10/1995 Fitzsimmons
D400,780 S * 11/1998 Wurdack D8/374
D401,582 S * 11/1998 Gremchuck D14/210
D403,328 S 12/1998 Wakefield
D419,067 S * 1/2000 Guillin D9/430
D419,701 S * 1/2000 Schifrin D26/26
D420,585 S * 2/2000 Guillin D9/430
D452,164 S * 12/2001 Buss D10/14
D463,488 S 9/2002 Kramer et al.
D473,546 S 4/2003 Hovanky et al.
D491,909 S * 6/2004 Sun D14/150
D502,468 S 3/2005 Knight et al.

D532,780 S 11/2006 Proctor, Jr. et al.
D540,485 S 4/2007 Waedeled
D543,180 S 5/2007 Ra
D562,385 S 2/2008 Camillo
D570,410 S * 6/2008 Moro D19/41
D594,438 S 6/2009 Wada
D603,550 S 11/2009 Levine
D616,738 S * 6/2010 Andre et al. D9/430
D620,916 S * 8/2010 Wada D14/149

OTHER PUBLICATIONS

Yamaha PJP-25UR VoIP Speakerphone, <URL:http://www.everythingusb.com/yamaha_pjp-25ur_usb_speakerphone_13582.html>, retrieved from internet Mar. 12, 2010.

* cited by examiner

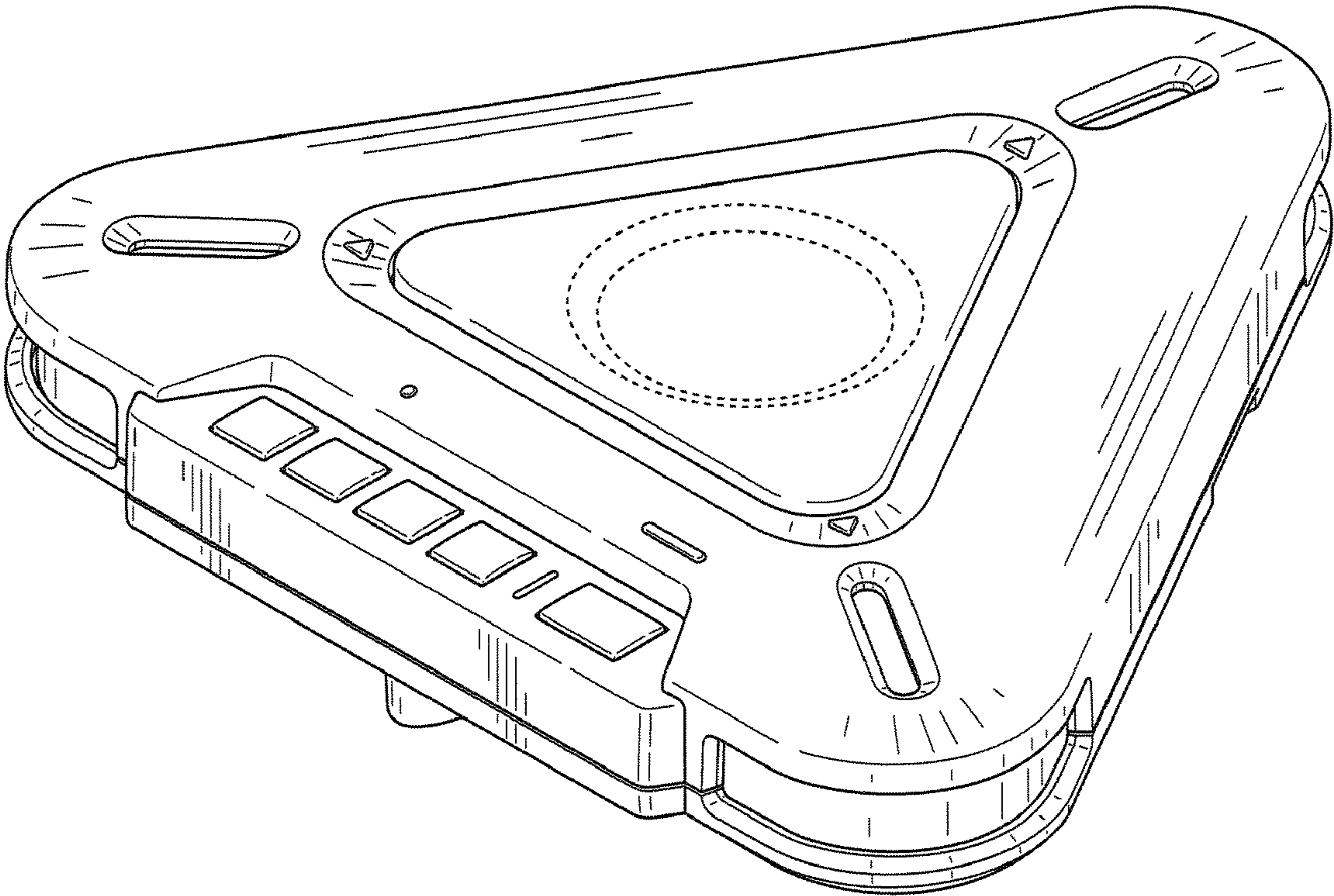


FIG. 1

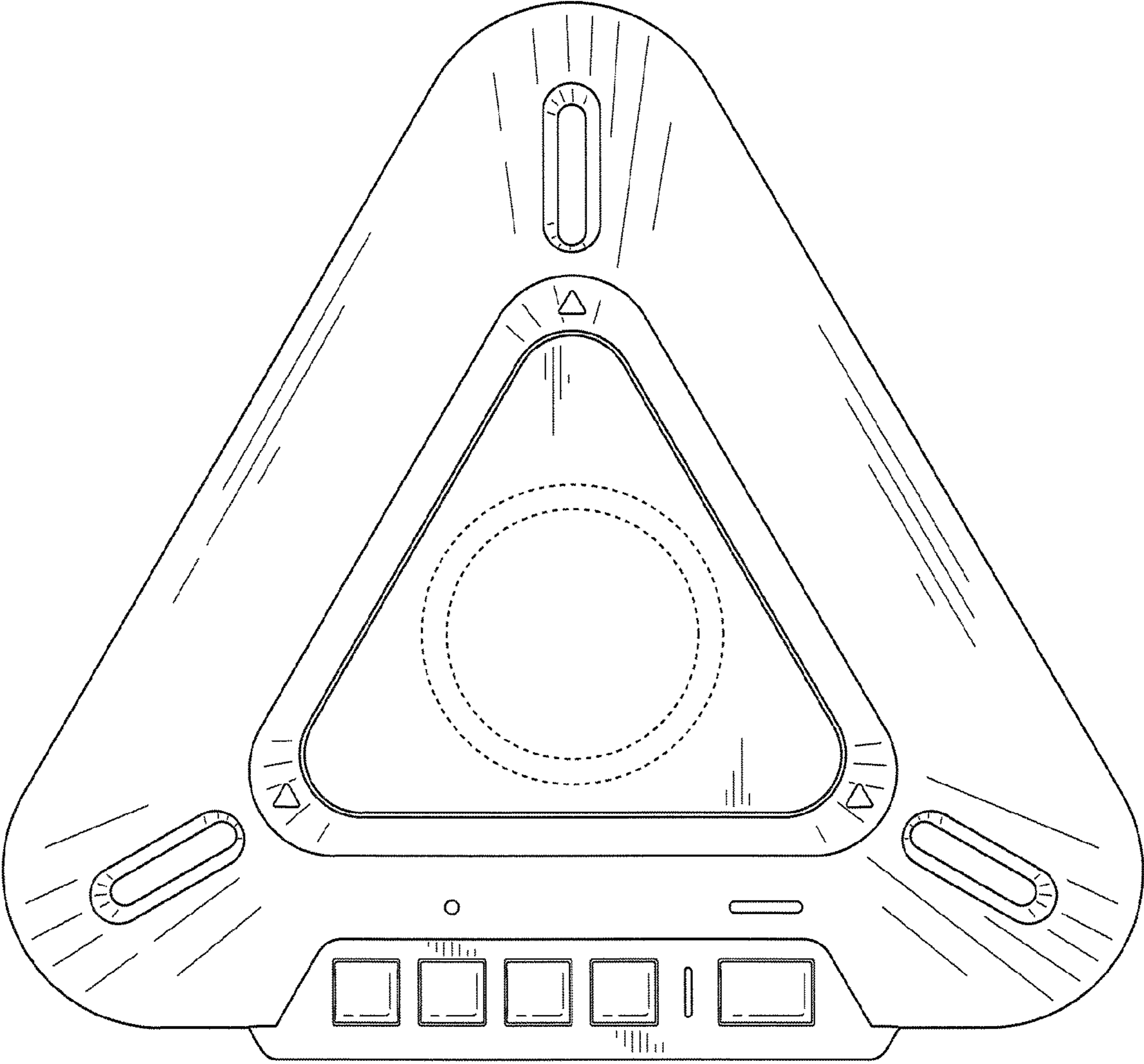


FIG. 2

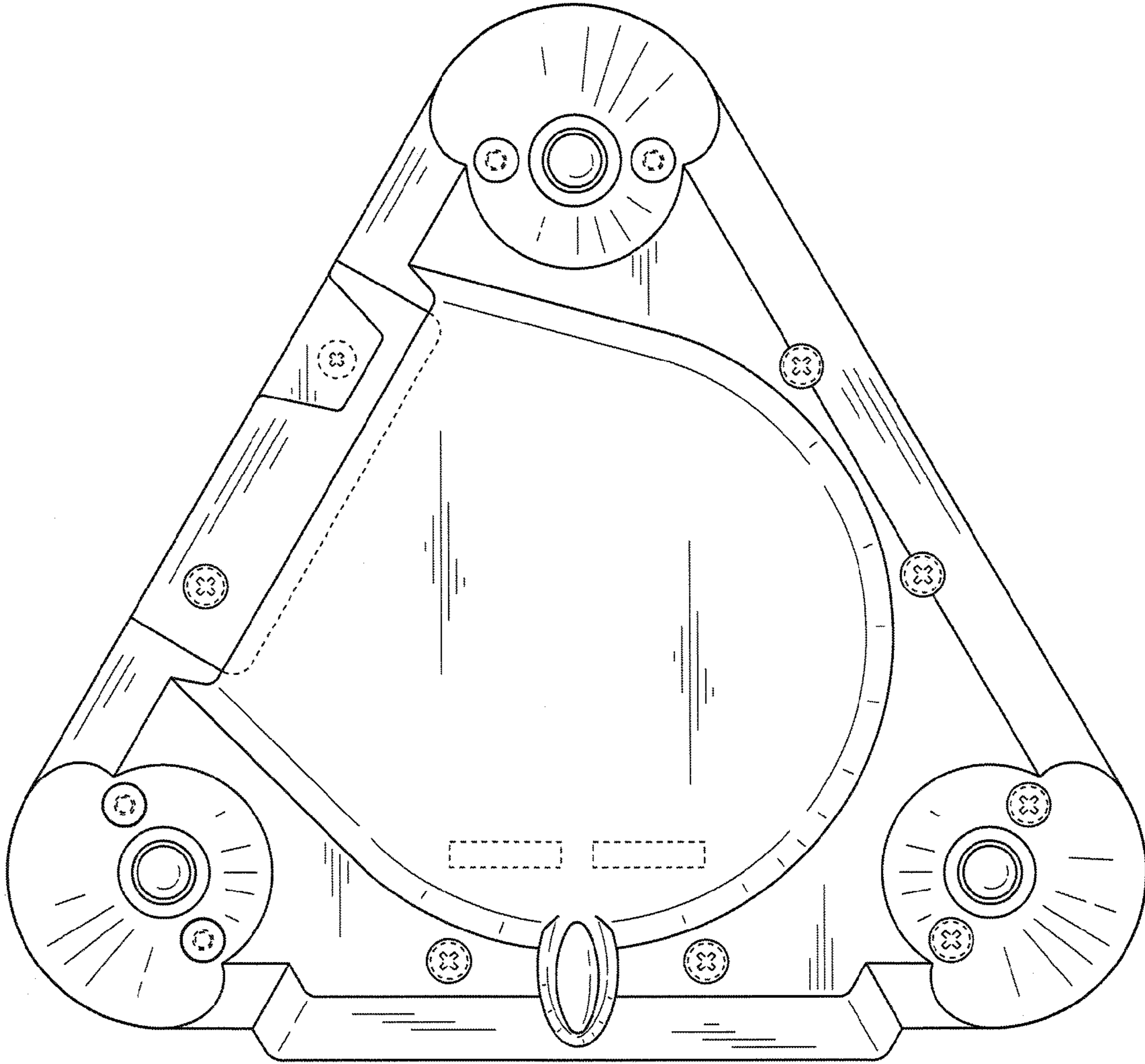


FIG. 3

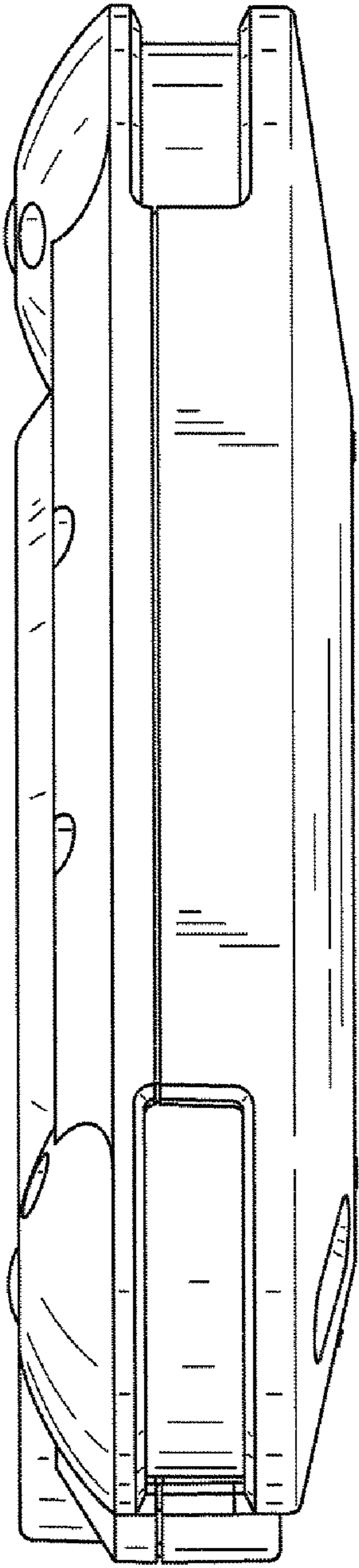


FIG. 4

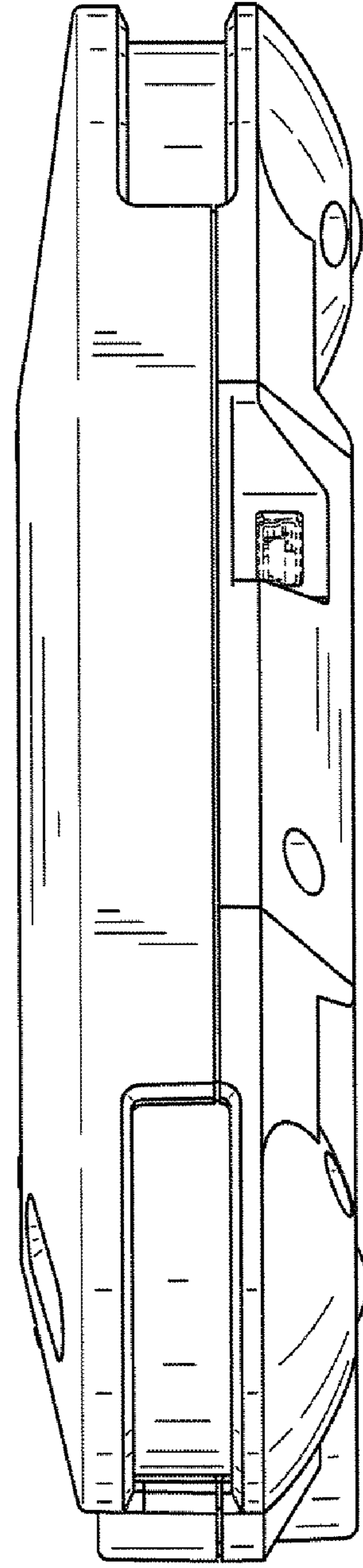


FIG. 5

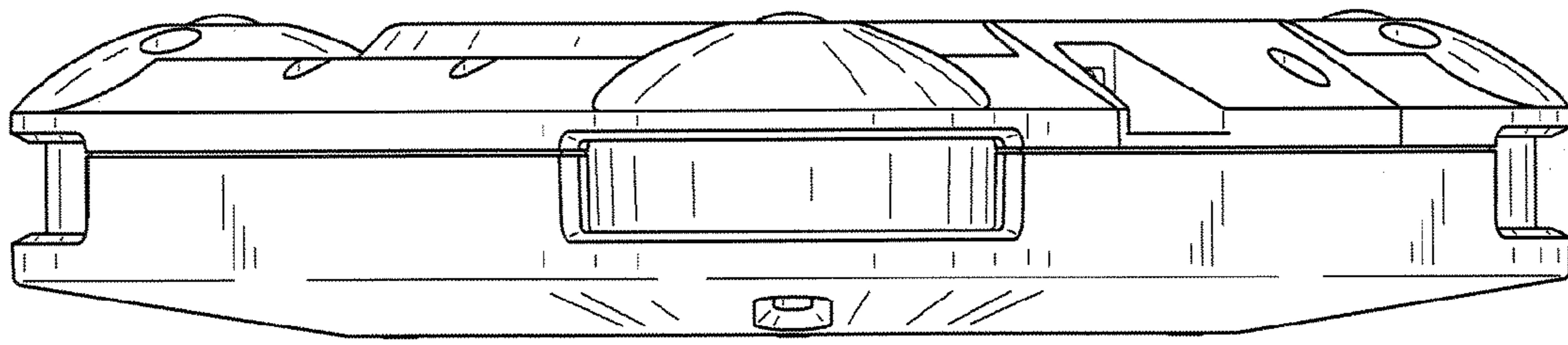


FIG. 6

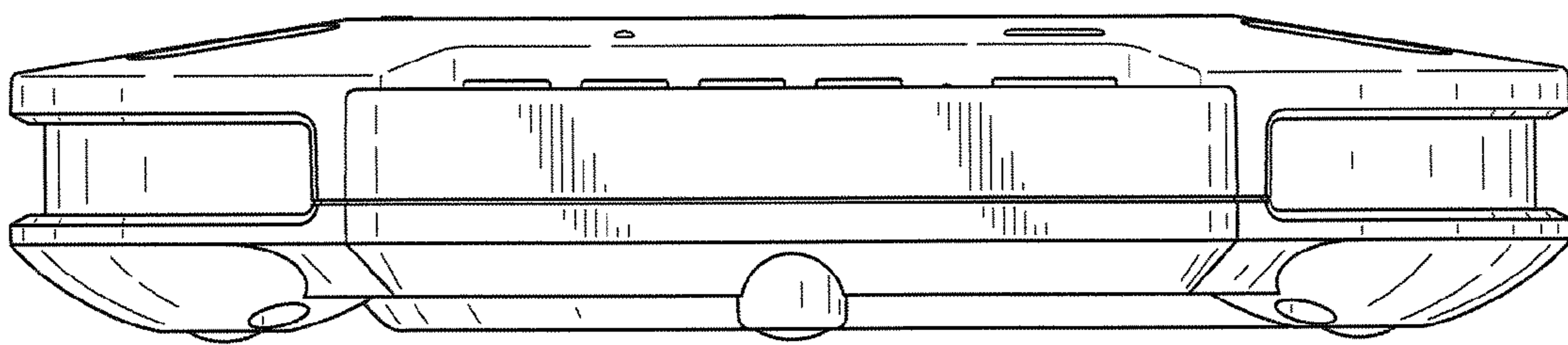


FIG. 7