

US00D640225S

(12) **United States Design Patent**
Choi

(10) **Patent No.:** **US D640,225 S**

(45) **Date of Patent:** **** Jun. 21, 2011**

(54) **HANDSET**

(75) Inventor: **Richard Choi**, London (GB)

(73) Assignee: **Nokia Corporation**, Espoo (FI)

(**) Term: **14 Years**

(21) Appl. No.: **29/379,672**

(22) Filed: **Nov. 23, 2010**

(51) **LOC (9) Cl.** **14-03**

(52) **U.S. Cl.** **D14/138 G**

(58) **Field of Classification Search** D14/138 R,
D14/138 AD, 138 AC, 138 C, 138 G, 191,
D14/203.1–203.8, 496, 138 AA, 138 AB,
D14/137, 147, 218, 341–347, 247–248; D10/65,
D10/78, 104; D13/168; D18/7; 455/566,
455/575.1, 575.3, 575.4

See application file for complete search history.

(56) **References Cited**

U.S. PATENT DOCUMENTS

D502,173 S *	2/2005	Jung et al.	D14/240
D548,713 S *	8/2007	Lee et al.	D14/138 AD
D558,720 S *	1/2008	Lee et al.	D14/138 AD
D582,377 S *	12/2008	Kim et al.	D14/138 AD
D585,411 S	1/2009	Eaton		
D589,487 S *	3/2009	Park et al.	D14/138 AD
D594,433 S *	6/2009	Seo et al.	D14/138 AD
D597,537 S	8/2009	Eaton		
D601,539 S *	10/2009	Hong	D14/138 G
D602,463 S	10/2009	Eguchi		
D606,506 S *	12/2009	Choi et al.	D14/138 AD
D607,865 S *	1/2010	Lee et al.	D14/138 AD
D608,331 S *	1/2010	Kim et al.	D14/138 AC
D615,519 S *	5/2010	Kim et al.	D14/138 G
D615,956 S *	5/2010	Lin et al.	D14/138 G
D616,859 S *	6/2010	Ho et al.	D14/138 G
D617,759 S	6/2010	Leinvuo et al.		
D617,763 S	6/2010	Liu et al.		
D618,200 S *	6/2010	Kim et al.	D14/138 AD
D618,655 S	6/2010	Sandberg		
D627,757 S	11/2010	Weightman et al.		
D629,377 S	12/2010	Ivaskevicius		

D629,772 S *	12/2010	Mo et al.	D14/138 G
D629,784 S	12/2010	Forsyth		
D631,028 S *	1/2011	Park et al.	D14/138 G
D631,029 S *	1/2011	Park et al.	D14/138 G
D633,067 S *	2/2011	Park et al.	D14/138 AD
D633,068 S *	2/2011	Chen et al.	D14/138 G
D633,070 S *	2/2011	Tzeng	D14/138 G
D635,537 S *	4/2011	Kim	D14/138 G
D635,951 S *	4/2011	Park et al.	D14/138 G
D635,952 S *	4/2011	Park et al.	D14/138 G
2008/0096616 A1 *	4/2008	Choi	455/575.1

(Continued)

OTHER PUBLICATIONS

LG Xenon, announced Mar. 2009, [online], [retrieved on Apr. 16, 2009]. Retrieved from Internet ,<URL: <http://www.gsmarena.com>>.*

(Continued)

Primary Examiner — Bridget L Eland

(74) *Attorney, Agent, or Firm* — Banner & Witcoff, Ltd.

(57) **CLAIM**

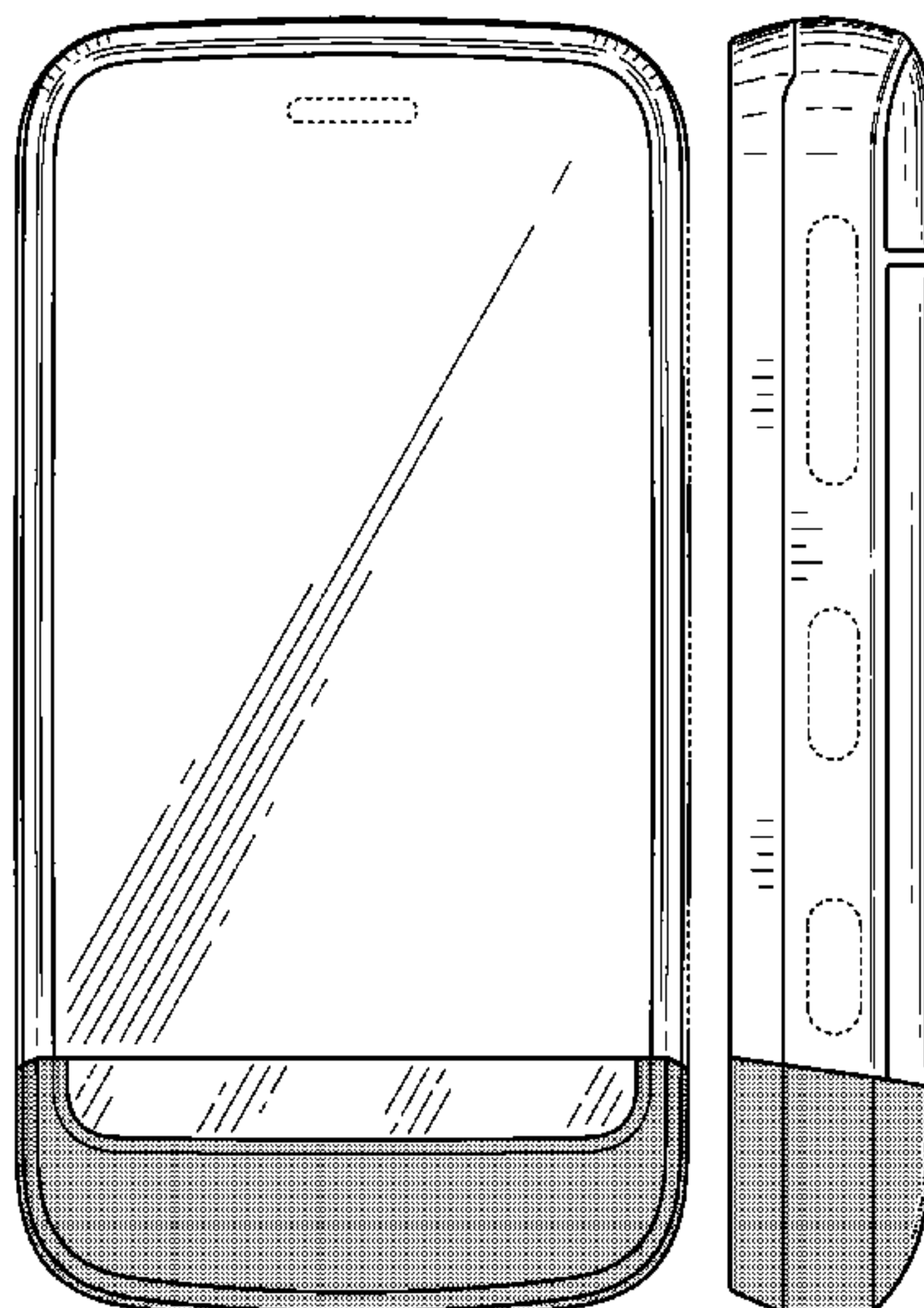
The ornamental design for a handset, as shown and described.

DESCRIPTION

FIG. 1 is a perspective view of a handset showing my new design;
FIG. 2 is a front view thereof;
FIG. 3 is a rear view thereof;
FIG. 4 is a left side view thereof;
FIG. 5 is a right side view thereof;
FIG. 6 is a top view thereof; and,
FIG. 7 is a bottom view thereof.

The broken lines immediately adjacent the shaded areas represent the bounds of the claimed design while all other broken lines are directed to environment and are for illustrative purposes only; the broken lines form no part of the claimed design. The contrast in shading represents a contrast in appearance.

1 Claim, 5 Drawing Sheets



US D640,225 S

Page 2

U.S. PATENT DOCUMENTS

2008/0176607 A1* 7/2008 Jin et al. 455/566
2009/0312065 A1* 12/2009 Wang et al. 455/566

OTHER PUBLICATIONS

Samsung S7230E Wave 723, announced Aug. 2010, [online],
[retrieved on Sep. 29, 2010]. Retrieved from Internet ,<URL: <http://www.gsmarena.com>>.*

Garmin-Asus A10, announced Apr. 2010, [online], [retrieved on Jun.
11, 2010]. Retrieved from Internet ,<URL: <http://www.gsmarena.com>>.*

Nokia C5-03, announced Oct. 2010, [online], [retrieved on Oct. 29,
2010]. Retrieved from Internet ,<URL: <http://www.gsmarena.com>>.*

* cited by examiner

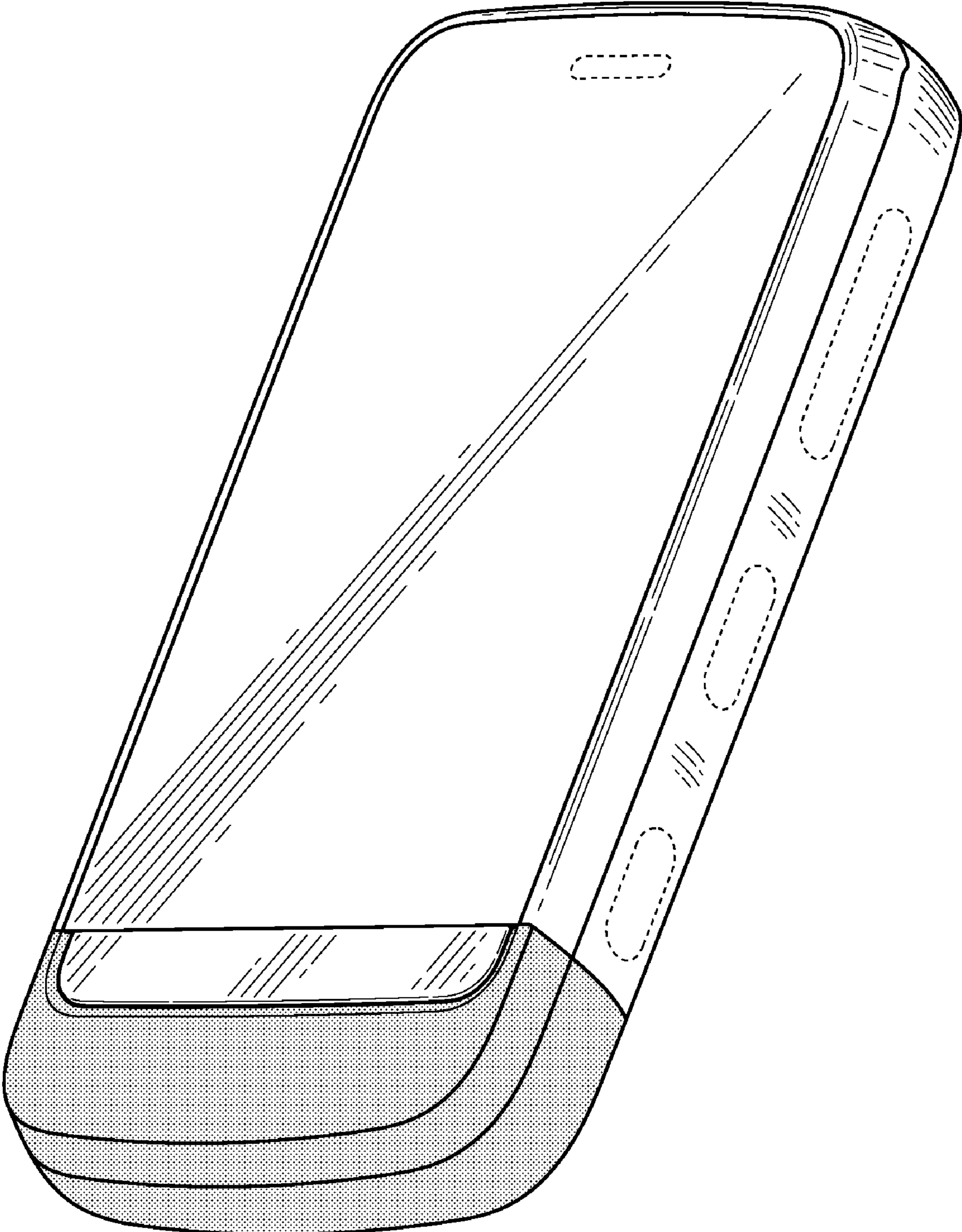


FIG. 1

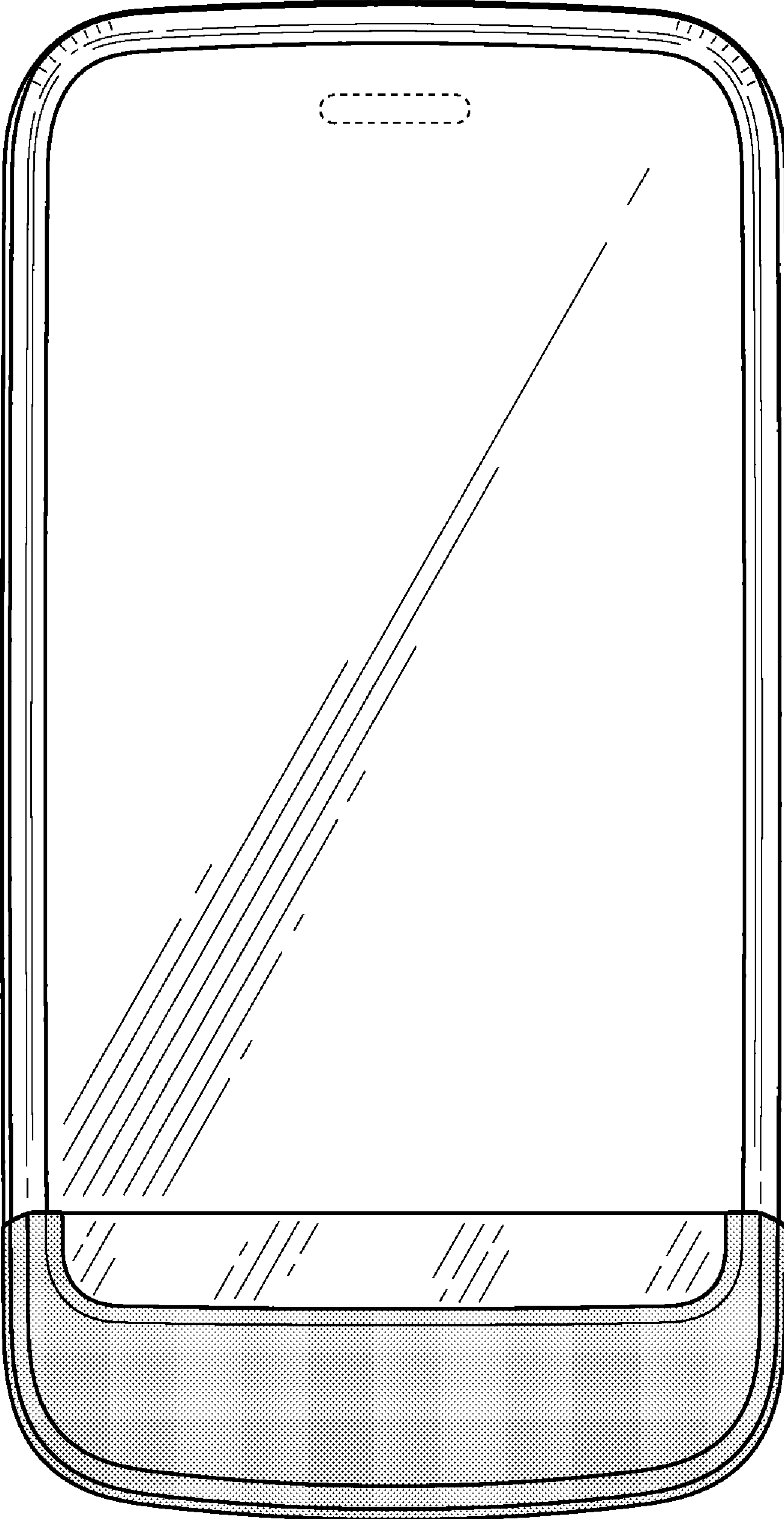


FIG. 2

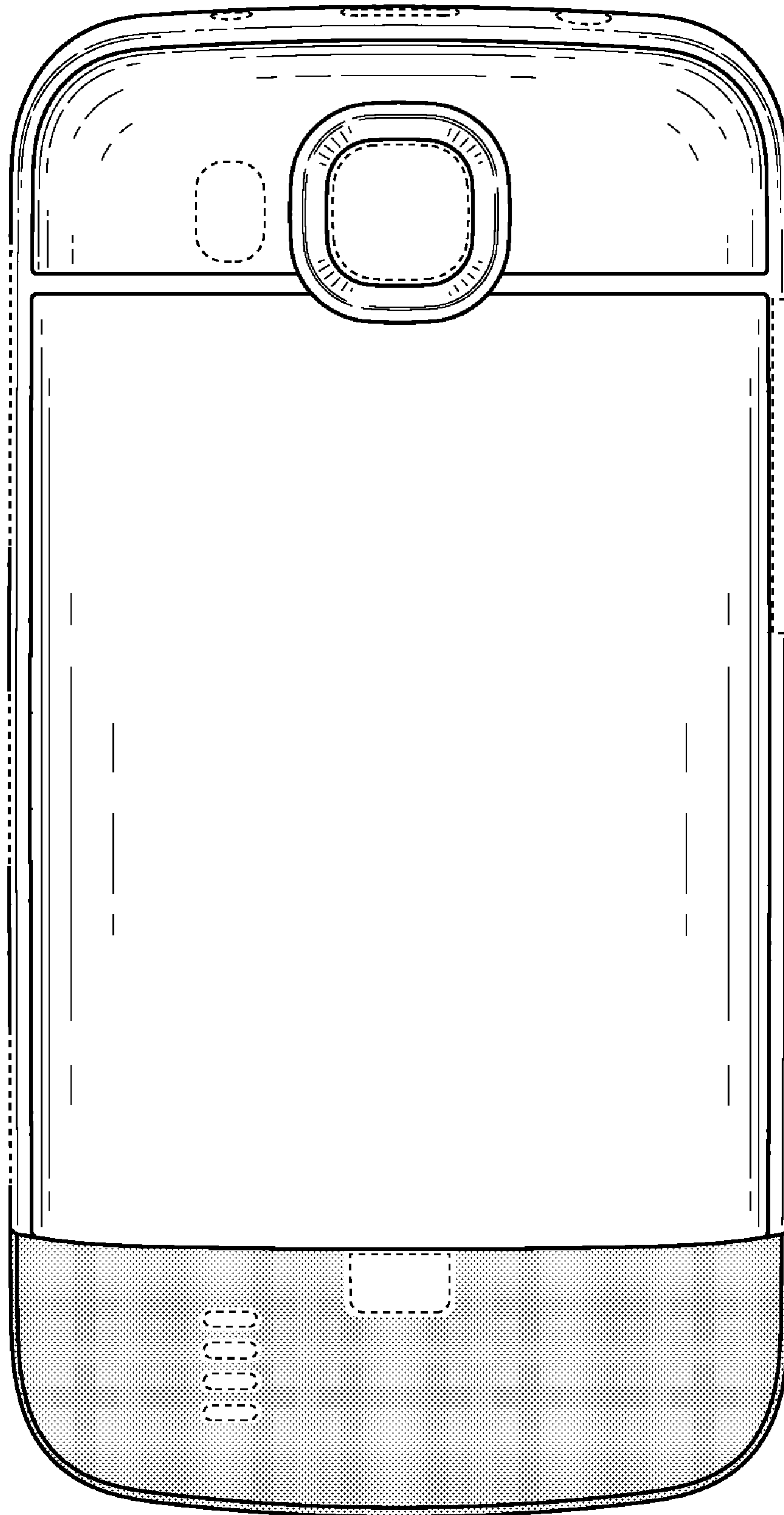


FIG. 3

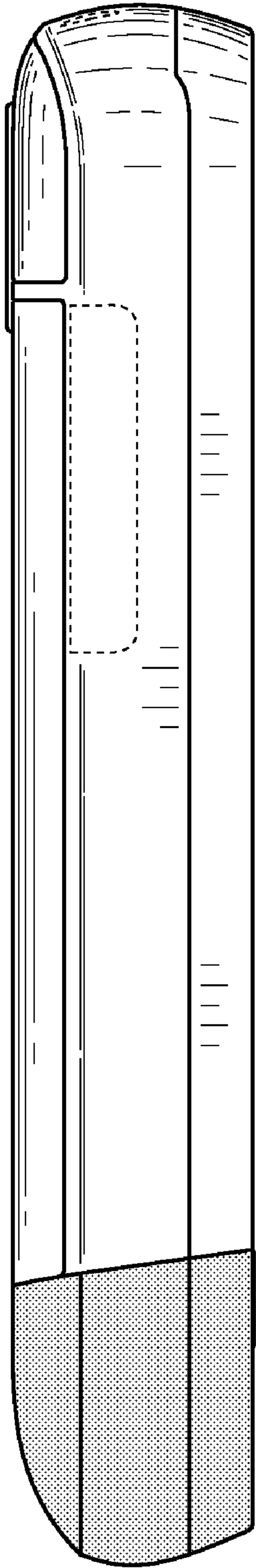


FIG. 4

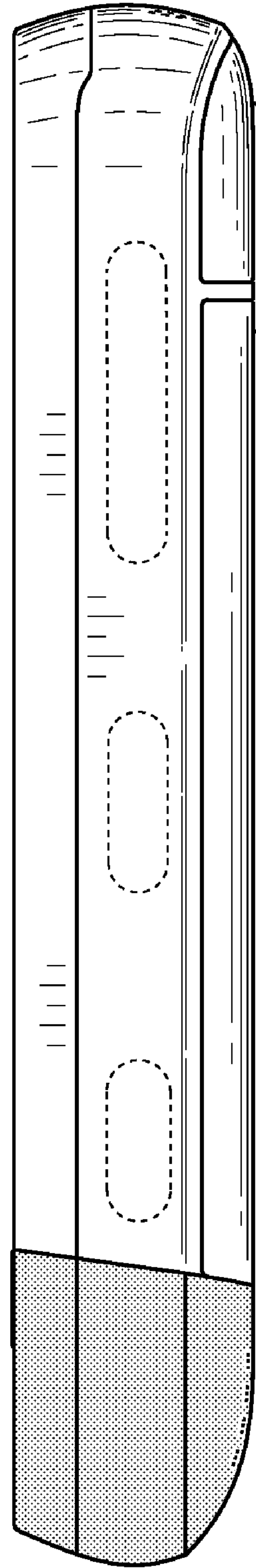


FIG. 5

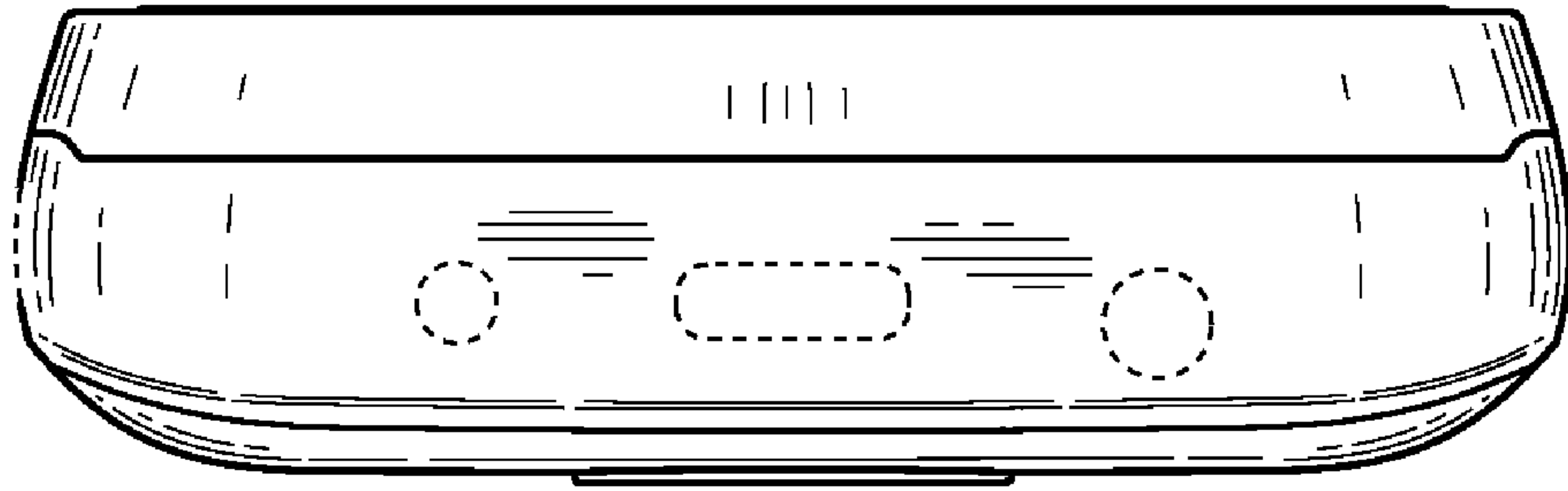


FIG. 6

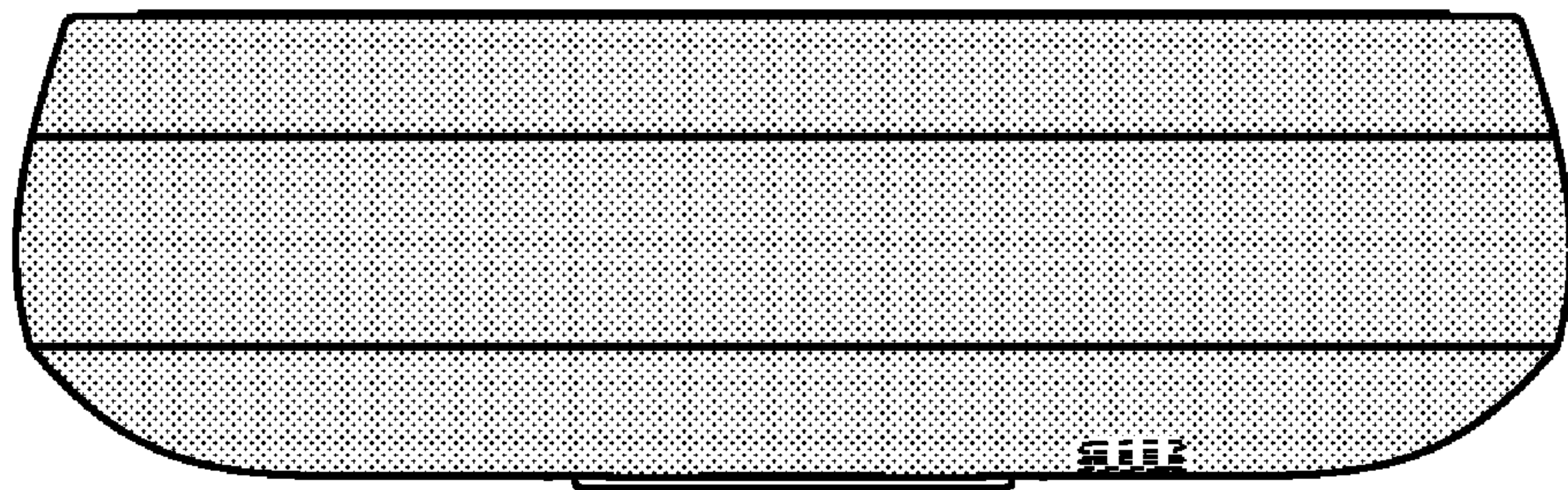


FIG. 7