



US00D640224S

(12) **United States Design Patent**  
**Sadatsuki**

(10) **Patent No.:** **US D640,224 S**  
(45) **Date of Patent:** **\*\* Jun. 21, 2011**

(54) **MOBILE PHONE**

(75) Inventor: **Koichi Sadatsuki**, Tokyo (JP)

(73) Assignee: **Sony Ericsson Mobile Communications AB**, Lund (SE)

(\*\*) Term: **14 Years**

(21) Appl. No.: **29/378,639**

(22) Filed: **Nov. 8, 2010**

(30) **Foreign Application Priority Data**

Jun. 21, 2010 (EM) ..... 001220834-0001  
Jun. 21, 2010 (EM) ..... 001220834-0002

(51) **LOC (9) Cl.** ..... **14-03**

(52) **U.S. Cl.** ..... **D14/138 AD; D14/138 G**

(58) **Field of Classification Search** ..... D14/138 R,  
D14/138 AD, 138 AC, 138 C, 138 G, 191,  
D14/203.1-203.8, 496, 138 AA, 138 AB,  
D14/137, 147, 218, 341-347, 247-248; D10/65,  
D10/78, 104; D13/168; D18/7; 455/566,  
455/575.1, 575.3, 575.4

See application file for complete search history.

(56) **References Cited**

**U.S. PATENT DOCUMENTS**

D529,493 S \* 10/2006 Ogasawara ..... D14/356  
D542,763 S \* 5/2007 Kim et al. .... D14/138 AA  
D554,635 S \* 11/2007 Chung et al. .... D14/341  
D558,719 S \* 1/2008 Choi et al. .... D14/138 AA  
D558,720 S \* 1/2008 Lee et al. .... D14/138 AD  
D571,234 S \* 6/2008 Reeson et al. .... D10/65  
D611,924 S \* 3/2010 Ou et al. .... D14/138 AD  
7,711,397 B2 \* 5/2010 Kim ..... 455/575.1  
D619,990 S \* 7/2010 Lai ..... D14/138 G  
D619,991 S \* 7/2010 Huang ..... D14/138 G  
D620,056 S \* 7/2010 Yano ..... D21/329  
D631,864 S \* 2/2011 Jung ..... D14/138 AB  
D633,459 S \* 3/2011 Suzuki ..... D14/138 G  
D633,882 S \* 3/2011 Sadatsuki ..... D14/138 G  
D633,885 S \* 3/2011 Kim ..... D14/138 G  
D634,292 S \* 3/2011 Sadatsuki ..... D14/138 AD  
2005/0107142 A1 \* 5/2005 Soejima ..... 455/575.3

2006/0098813 A1 \* 5/2006 Takamori et al. .... 379/433.13  
2007/0135181 A1 \* 6/2007 Ohki et al. .... 455/575.1  
2007/0184882 A1 \* 8/2007 Kim ..... 455/575.4

(Continued)

**OTHER PUBLICATIONS**

Acer neoTouch, announced Oct. 2009, [online], [retrieved on Oct. 28, 2009]. Retrieved from Internet ,<URL: http://www.gsmarena.com>.\*

(Continued)

*Primary Examiner* — Bridget L Eland

(74) *Attorney, Agent, or Firm* — Renner, Otto, Boisselle & Sklar, LLP

(57) **CLAIM**

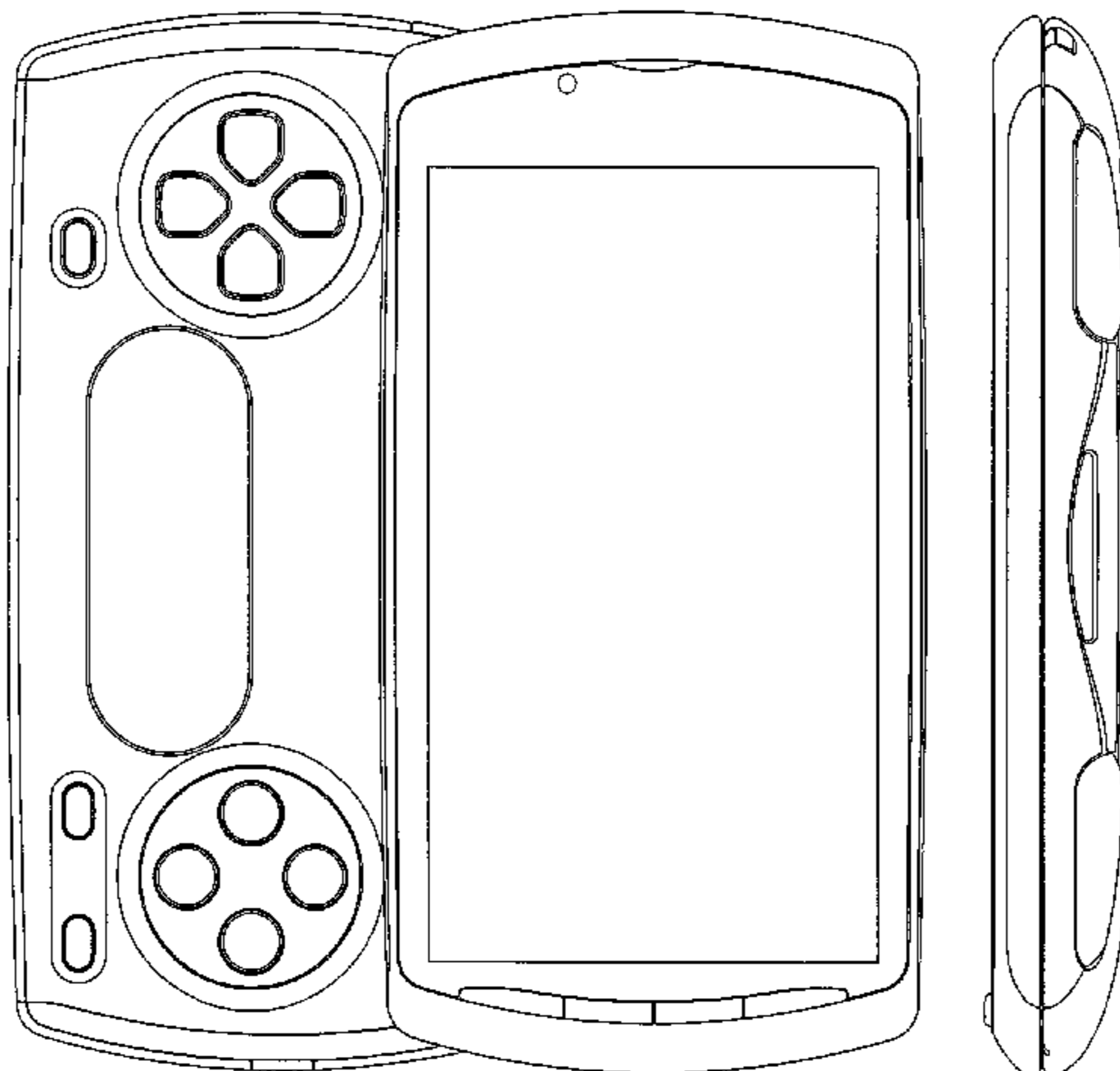
The ornamental design for a mobile phone, as shown and described.

**DESCRIPTION**

FIG. 1 is a perspective view of a mobile phone in a closed position showing my design;  
FIG. 2 is a front view thereof;  
FIG. 3 is a rear view thereof;  
FIG. 4 is a left side view thereof;  
FIG. 5 is a right side view thereof;  
FIG. 6 is a top view thereof;  
FIG. 7 is a bottom view thereof;  
FIG. 8 is a perspective view thereof in an open position;  
FIG. 9 is a front view thereof;  
FIG. 10 is a rear view thereof;  
FIG. 11 is a left side view thereof;  
FIG. 12 is a right side view thereof;  
FIG. 13 is a top view thereof; and,  
FIG. 14 is a bottom view thereof.

The broken lines immediately adjacent the claimed areas represent the bounds of the claimed design while all other broken lines are directed to environment and are for illustrative purposes only; the broken lines form no part of the claimed design.

**1 Claim, 10 Drawing Sheets**



U.S. PATENT DOCUMENTS

2007/0191078	A1*	8/2007	Kim .....	455/575.4
2007/0202956	A1*	8/2007	Ogasawara et al. ....	463/46
2008/0039157	A1*	2/2008	Park .....	455/575.1
2008/0132288	A1*	6/2008	Misawa .....	455/566
2008/0242359	A1*	10/2008	Seol et al. ....	455/566
2009/0024926	A1*	1/2009	Morotomi .....	715/716

OTHER PUBLICATIONS

Sony Ericsson PlayStation phone, comment posted Oct. 28, 2010, [online], [retrieved on Oct. 29, 2010]. Retrieved from Internet, <URL: <http://www.gsmarena.com>>.\*

Sony Ericsson Xperia Neo, comment posted Jan. 28, 2011, [online], [retrieved on Feb. 1, 2011]. Retrieved from Internet, <URL: <http://www.gsmarena.com>>.\*

Sony Ericsson Xperia Play CDMA, announced Feb. 2011, [online], [retrieved on Feb. 17, 2011]. Retrieved from Internet, <URL: <http://www.gsmarena.com>>.\*

Sony Ericsson Xperia Play, announced Feb. 2011, [online], [retrieved on Feb. 17, 2011]. Retrieved from Internet, <URL: <http://www.gsmarena.com>>.\*

\* cited by examiner

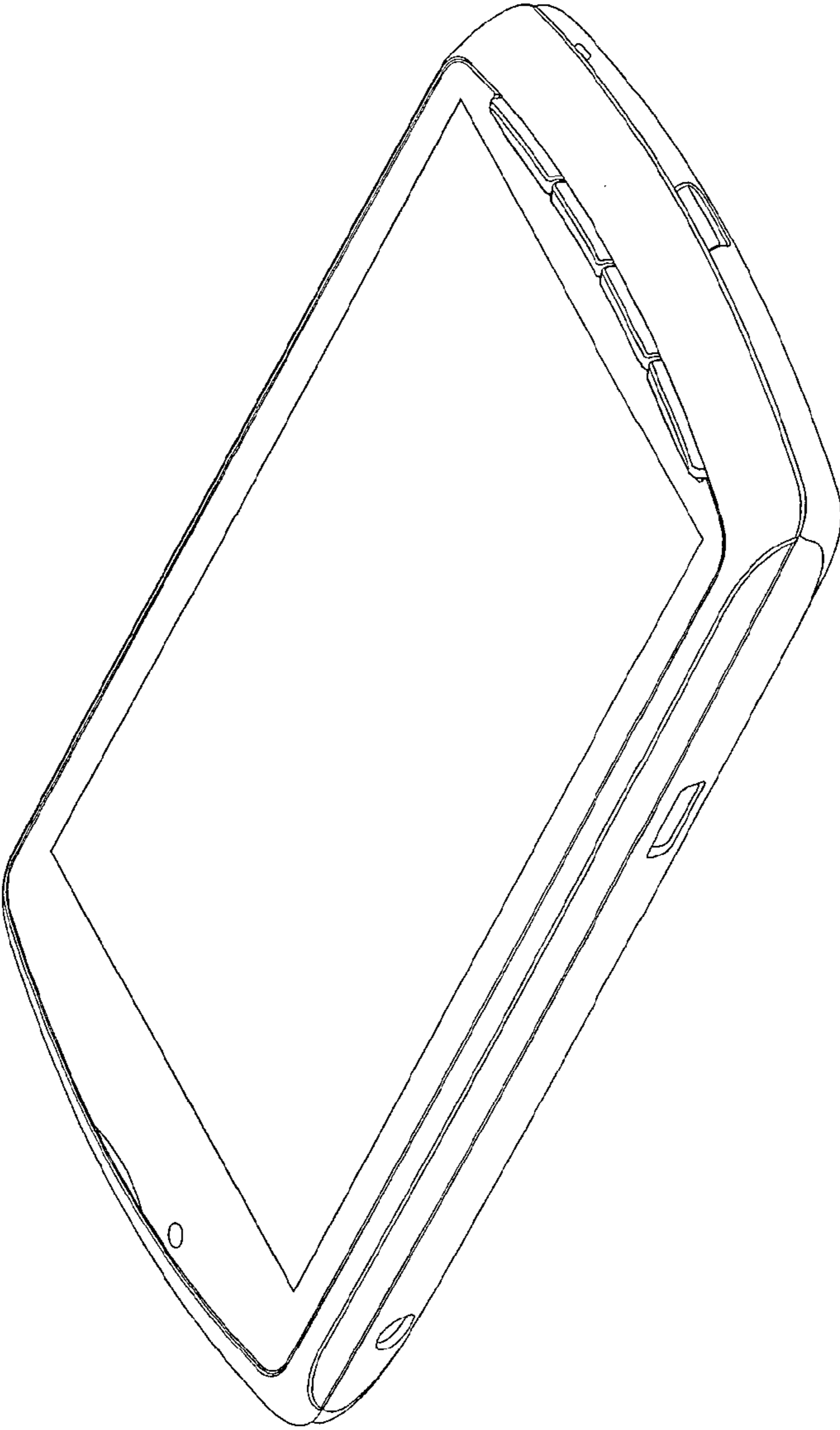


FIG. 1

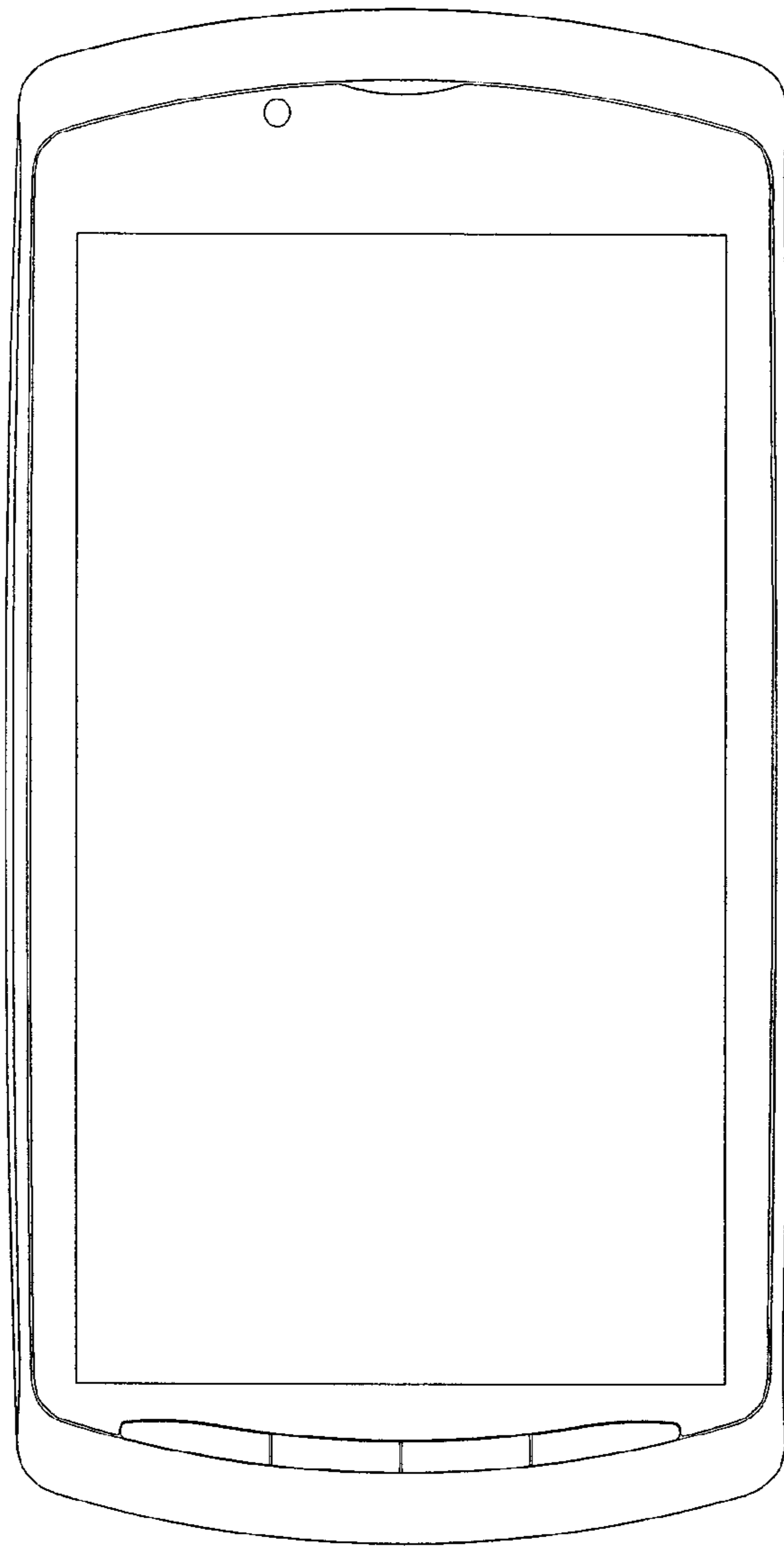


FIG. 2

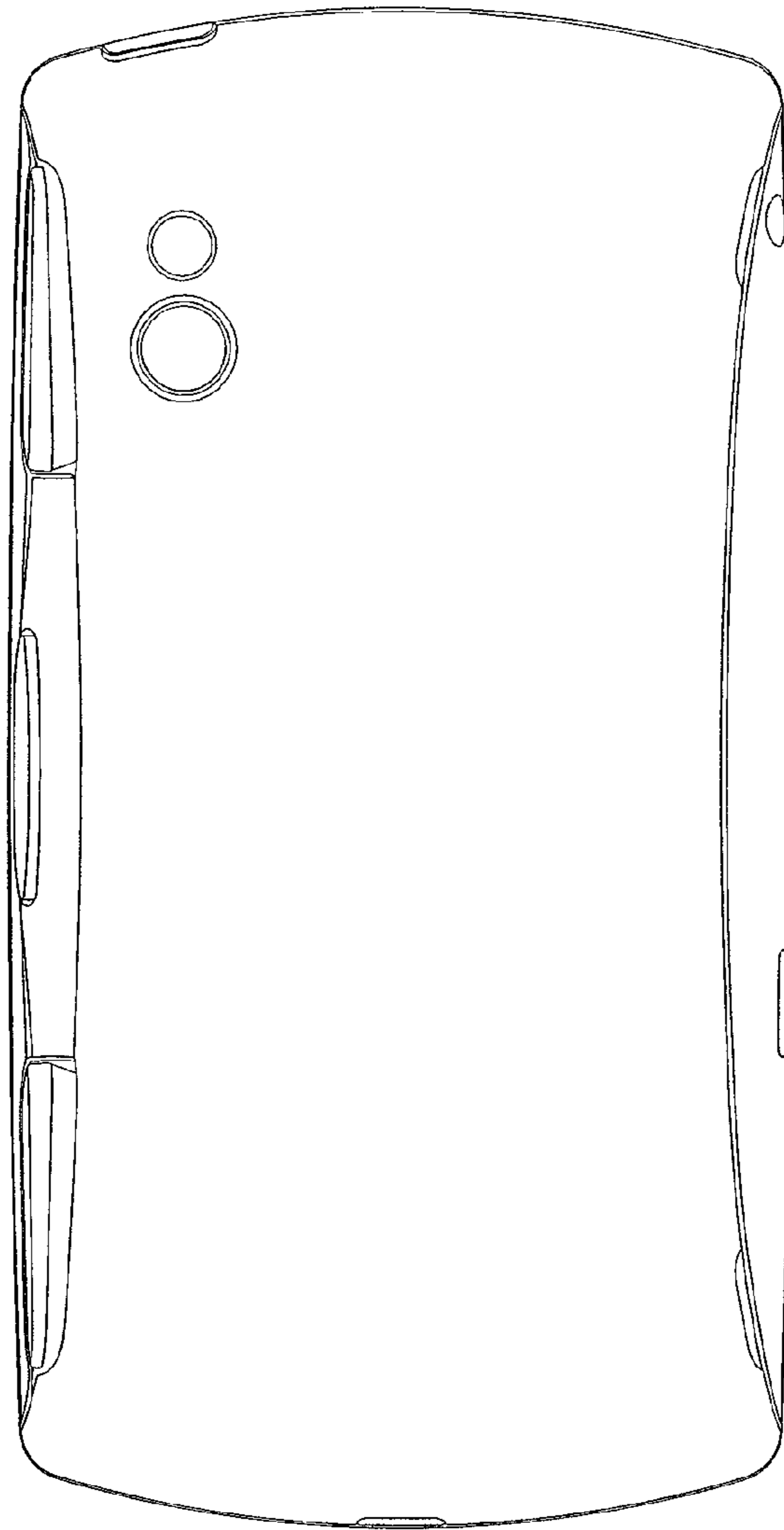


FIG. 3

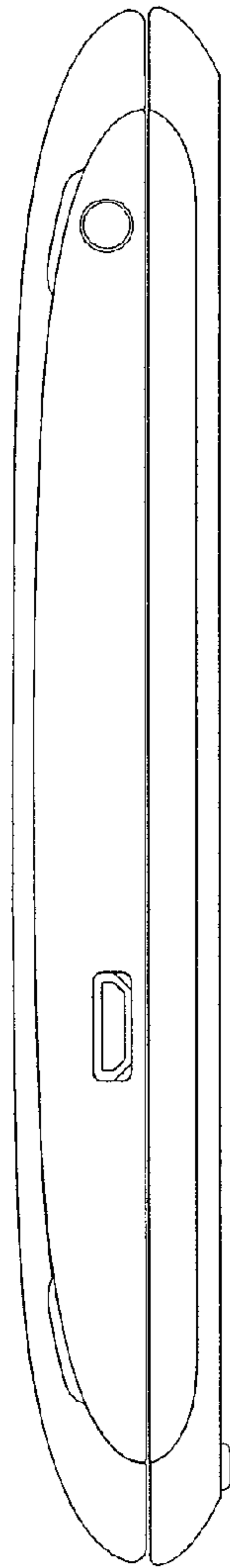


FIG. 4

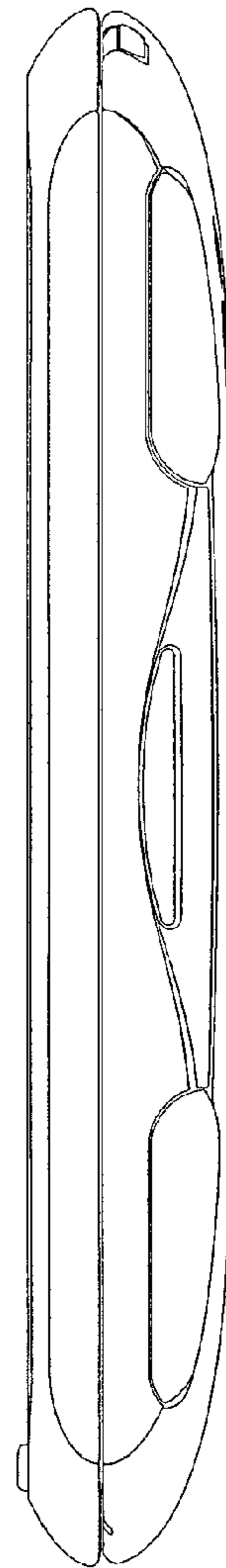


FIG. 5

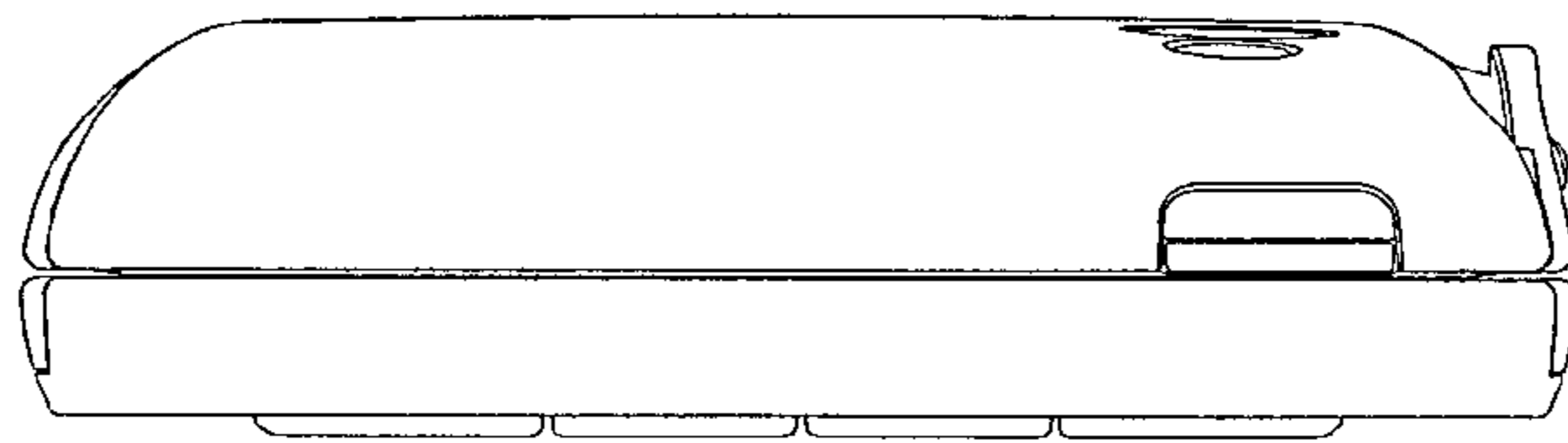


FIG. 6

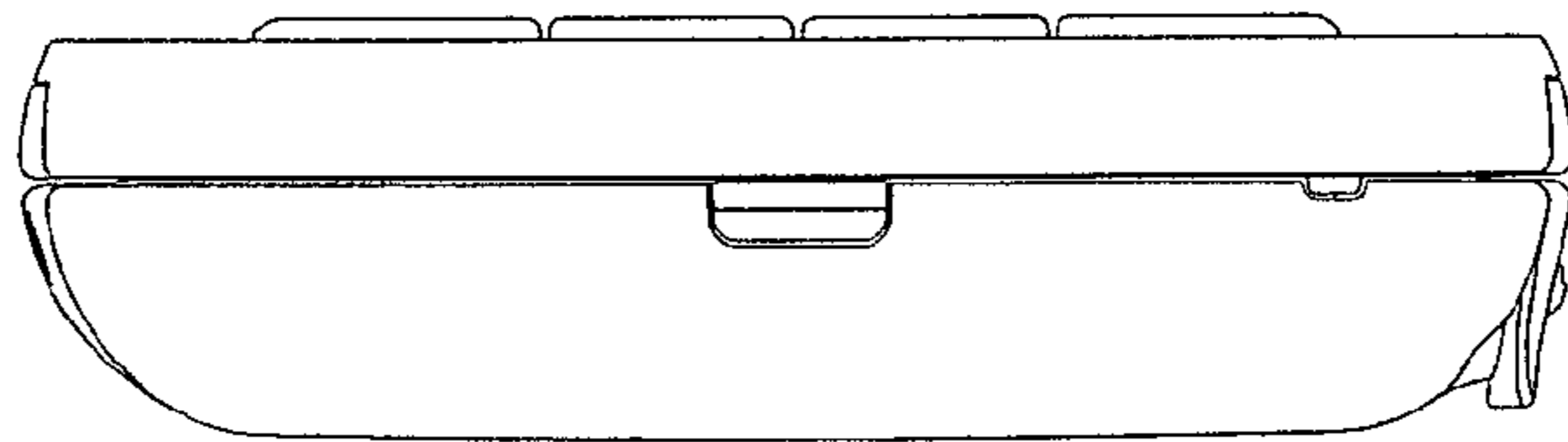


FIG. 7

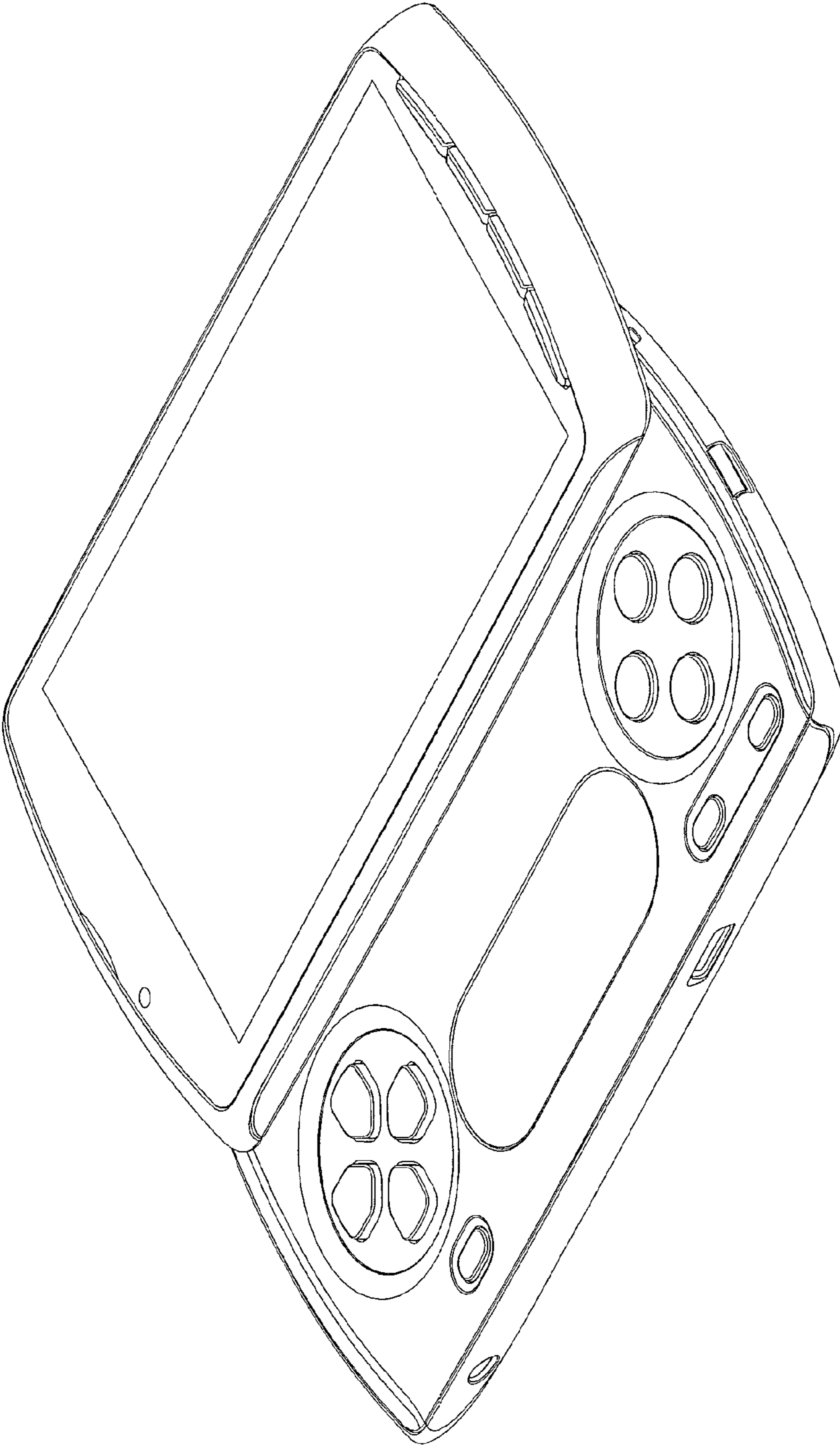


FIG. 8



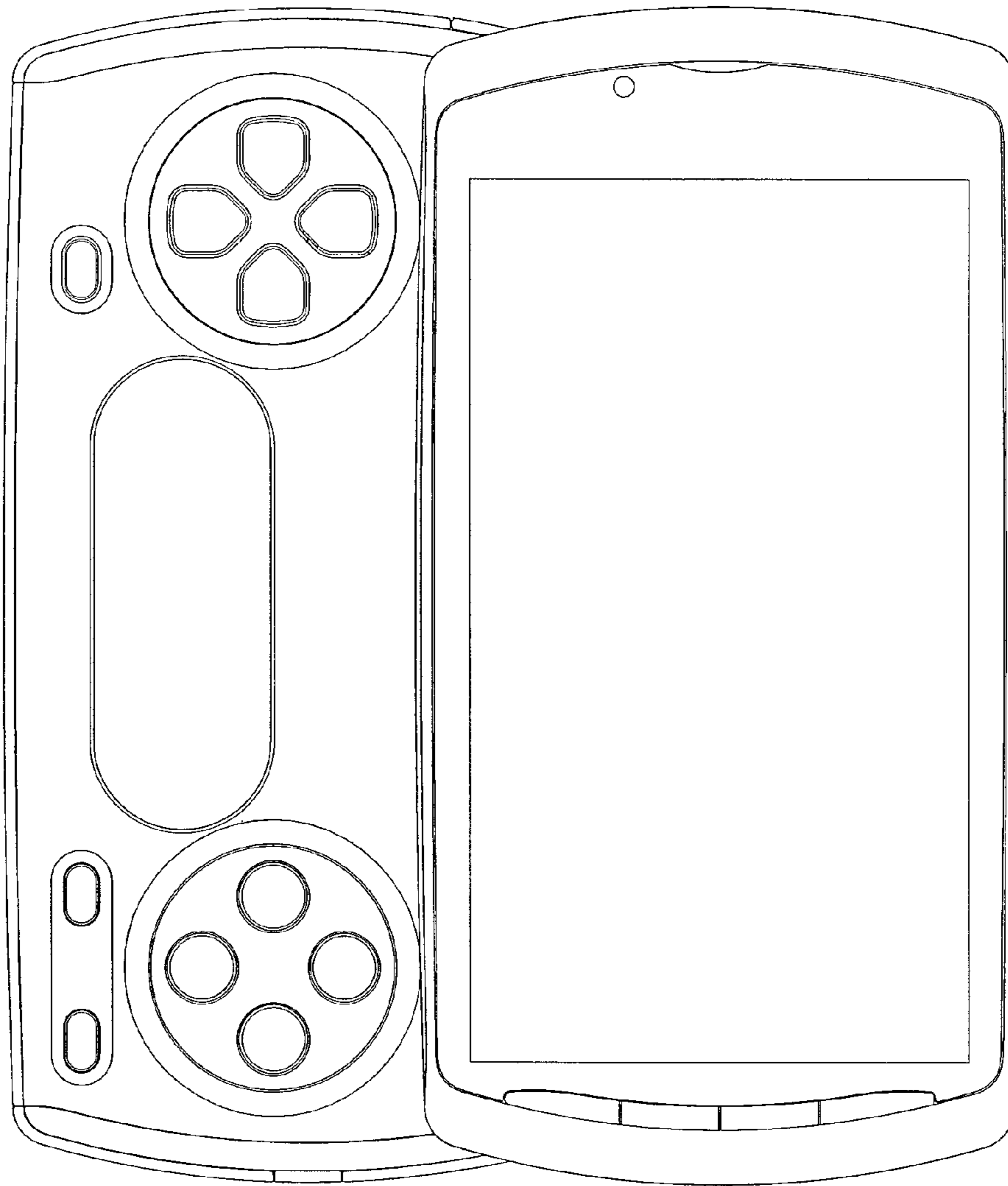


FIG. 9

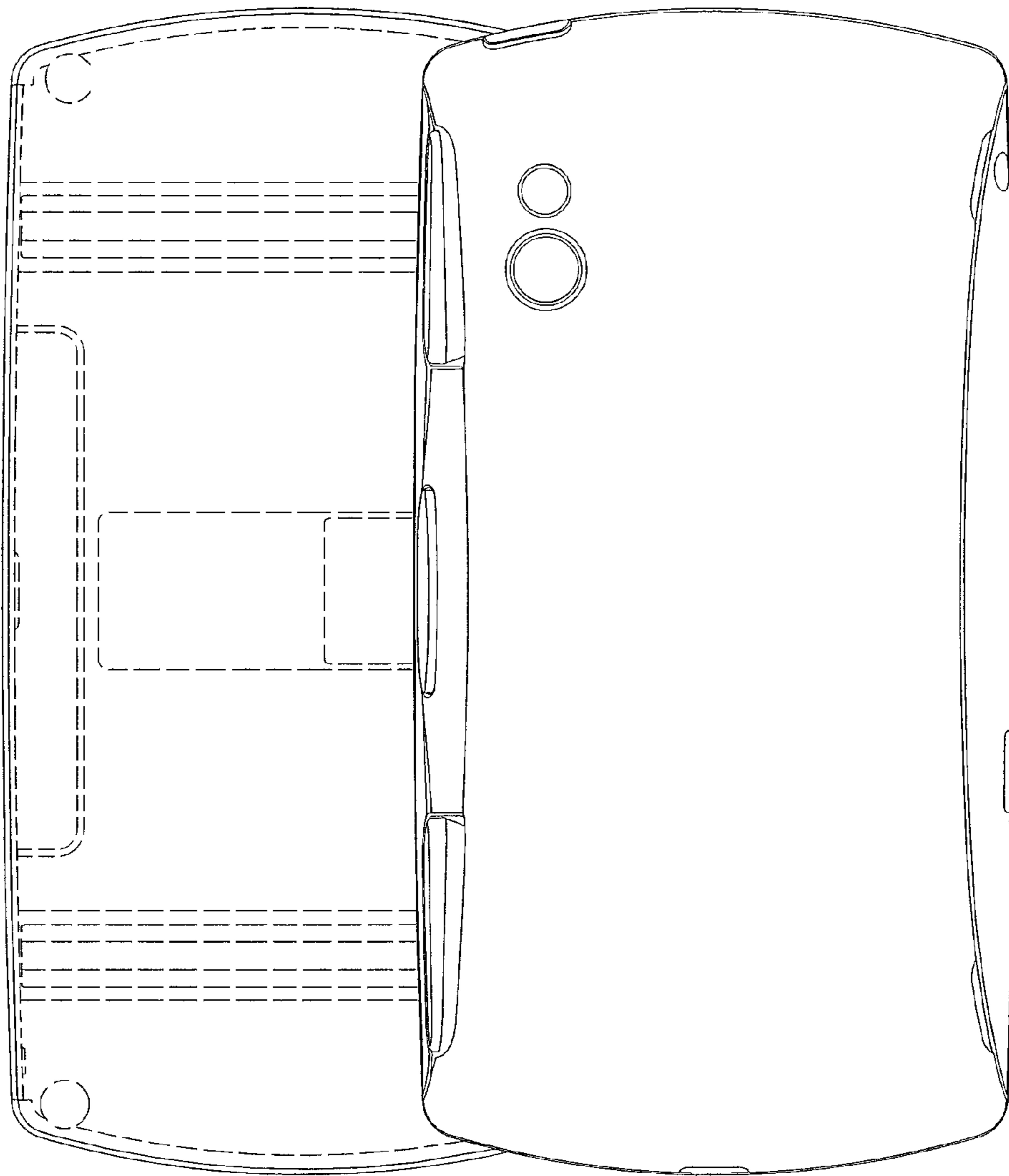


FIG. 10

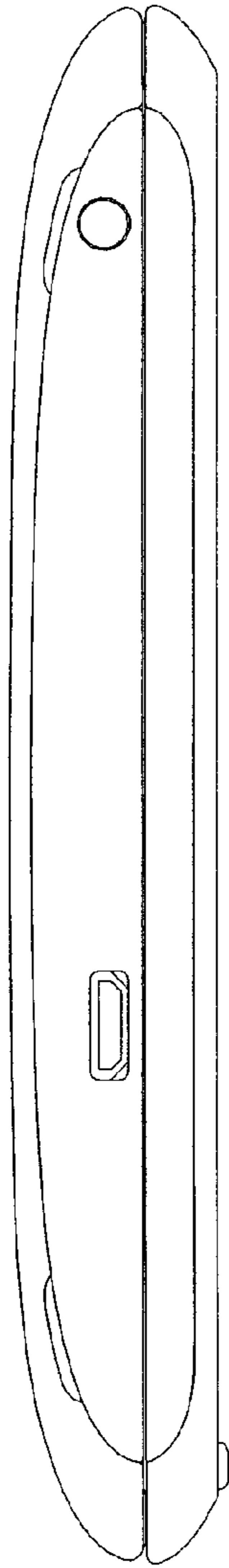


FIG. 11

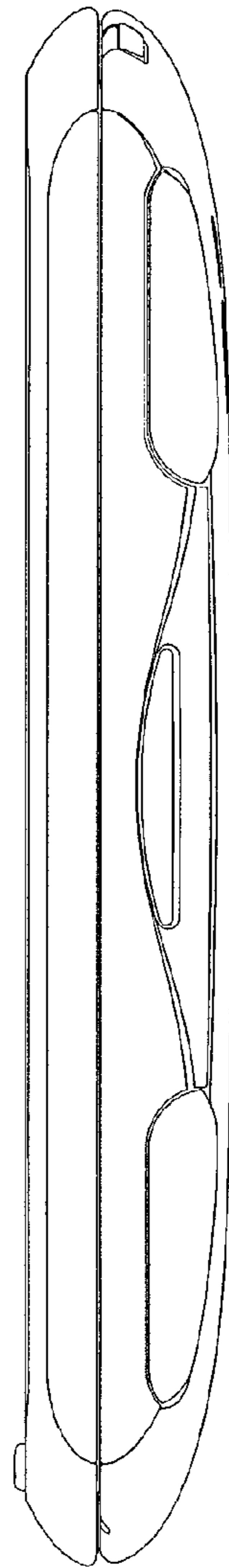


FIG. 12

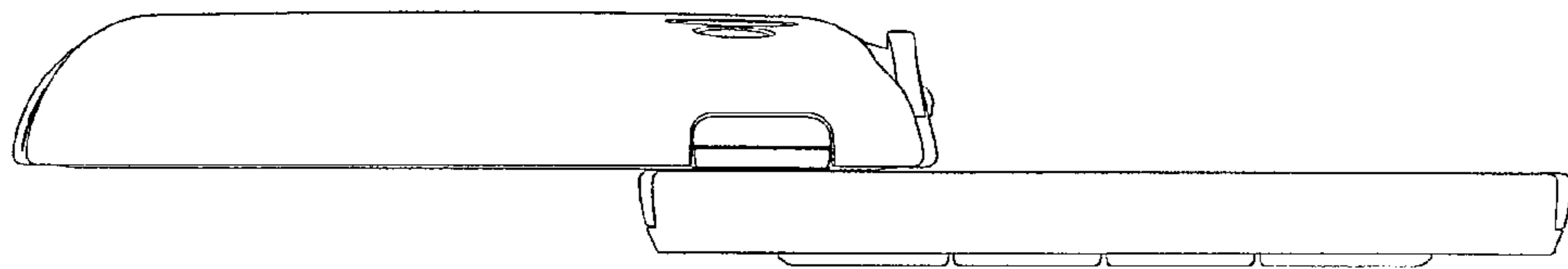


FIG. 13

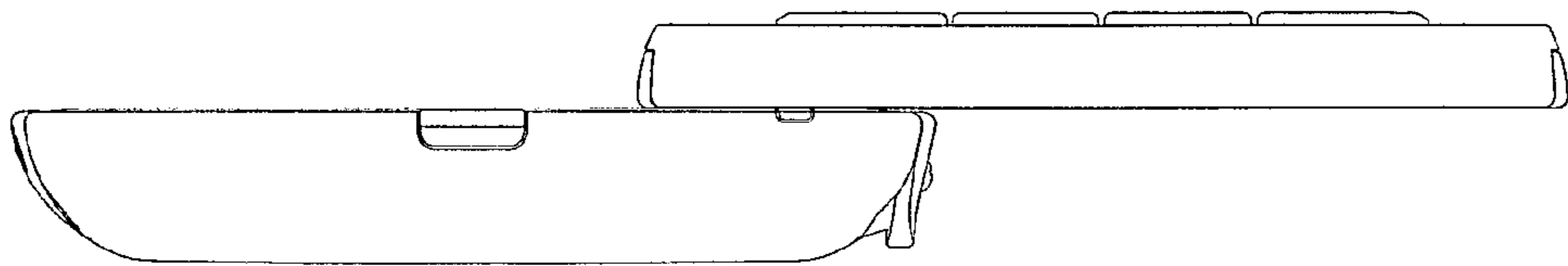


FIG. 14