



US00D640215S

(12) **United States Design Patent**  
**Hanson-Abbott**

(10) **Patent No.:** **US D640,215 S**  
(45) **Date of Patent:** **\*\* Jun. 21, 2011**

(54) **VIDEO MONITOR**

(75) Inventor: **Philip Hanson-Abbott**, Sevenoaks (GB)

(73) Assignee: **Brigade (Holdings) Limited**, South Darenth (GB)

(\*\*) Term: **14 Years**

(21) Appl. No.: **29/380,192**

(22) Filed: **Dec. 1, 2010**

(51) **LOC (9) Cl.** ..... **14-03**

(52) **U.S. Cl.** ..... **D14/126; D14/129**

(58) **Field of Classification Search** ..... D14/125-134, D14/239, 371, 136, 374-377, 440, 450, 448, D14/336, 342; 312/7.2; 348/836, 838, 180, 348/184, 325, 739; 341/12; 248/917-924, 248/465; 345/104, 133, 156, 168, 87, 173; 720/605, 669, 600, 655; 369/99, 197; 455/344, 455/347; D21/329, 515, 577, 622, 333, 433, D21/448, 452, 450, 331; D6/477, 479, 300; 273/148 B; 446/484, 175, 356; D10/15, D10/26

See application file for complete search history.

(56) **References Cited**

**U.S. PATENT DOCUMENTS**

D518,004 S *	3/2006	Peng	.....	D14/126
D564,991 S *	3/2008	Vitito	.....	D14/126
D596,595 S *	7/2009	Messner	.....	D14/126
D597,980 S *	8/2009	Vitito	.....	D14/129
D598,406 S *	8/2009	Wang	.....	D14/126

D608,315 S *	1/2010	Mitsubishi	.....	D14/126
D608,746 S *	1/2010	Tu	.....	D14/126
D623,616 S *	9/2010	Cho et al.	.....	D14/126
D627,749 S *	11/2010	Mitsubishi	.....	D14/126
2003/0137584 A1 *	7/2003	Norvell et al.	.....	348/61
2004/0032543 A1 *	2/2004	Chang	.....	348/837
2004/0227861 A1 *	11/2004	Schedivy	.....	348/837
2006/0148577 A1 *	7/2006	Vitito	.....	463/46

**FOREIGN PATENT DOCUMENTS**

WO DM/072262 9/2009

\* cited by examiner

*Primary Examiner* — Raphael Barkai

(74) *Attorney, Agent, or Firm* — Briggs and Morgan, P.A.

(57) **CLAIM**

The ornamental design for a video monitor, as shown and described.

**DESCRIPTION**

FIG. 1 is a front, top, and right side perspective view showing the design;

FIG. 2 is a front elevational view of the design;

FIG. 3 is a right side elevational view of the design;

FIG. 4 is a top view of the design;

FIG. 5 is a left side elevational view of the design;

FIG. 6 is a bottom view of the design; and,

FIG. 7 is a rear elevational view of the design.

It should be understood that the labels used herein for describing orientation (e.g., front, rear, top, bottom, right and left) are merely for reference, and the design may be disposed in any manner and still be within the scope of the present invention.

**1 Claim, 4 Drawing Sheets**

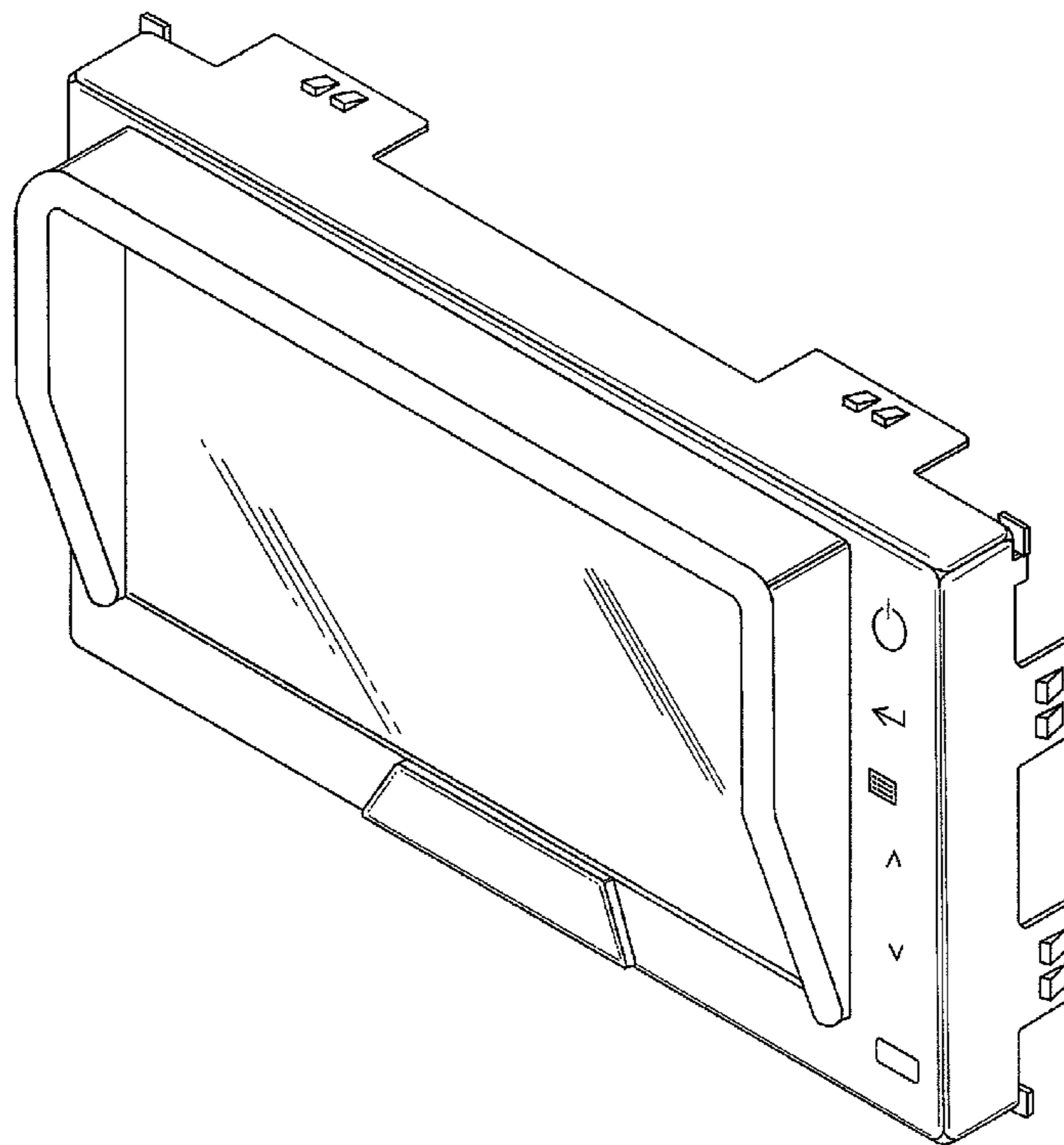


Fig.1

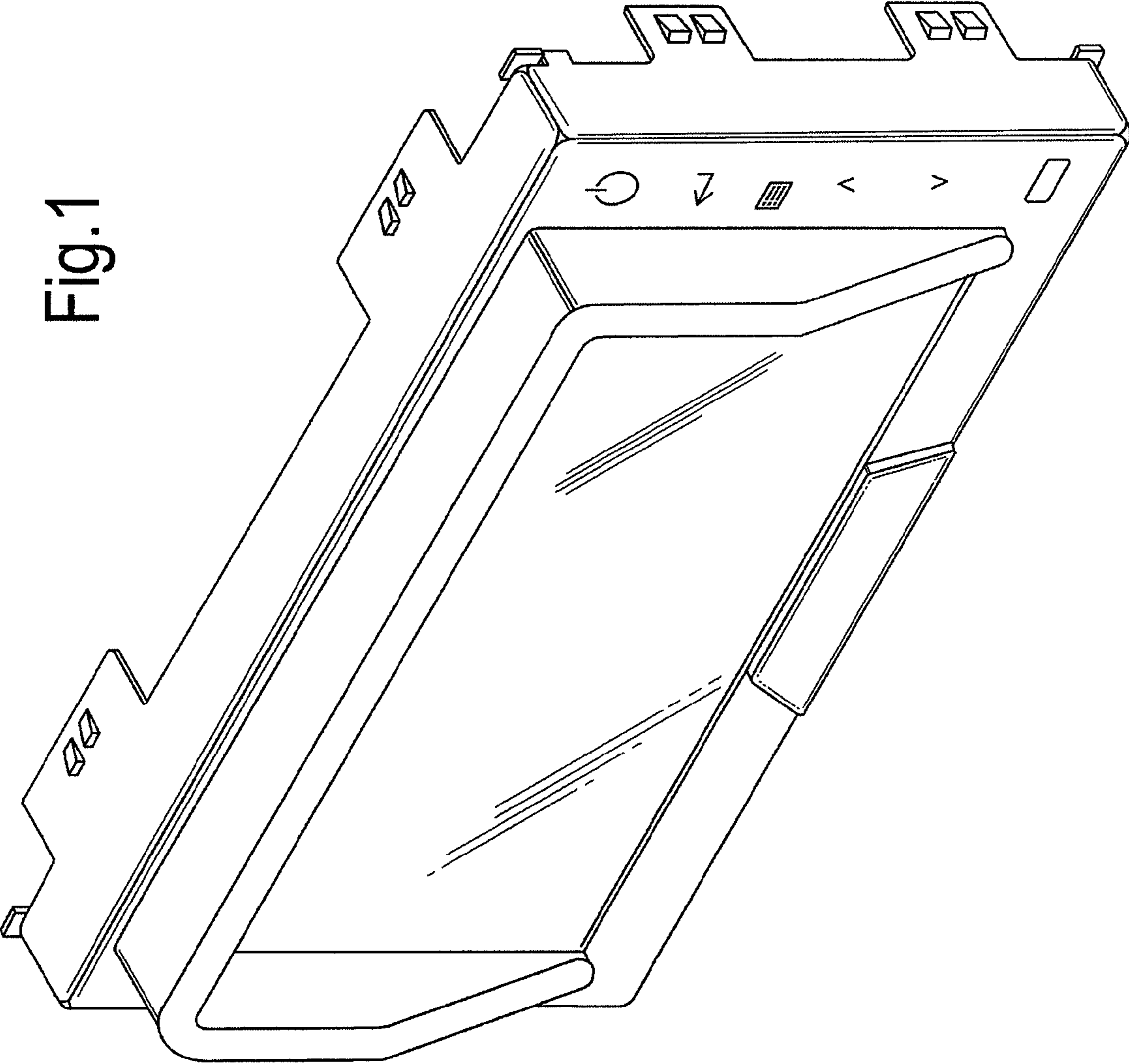


Fig.2

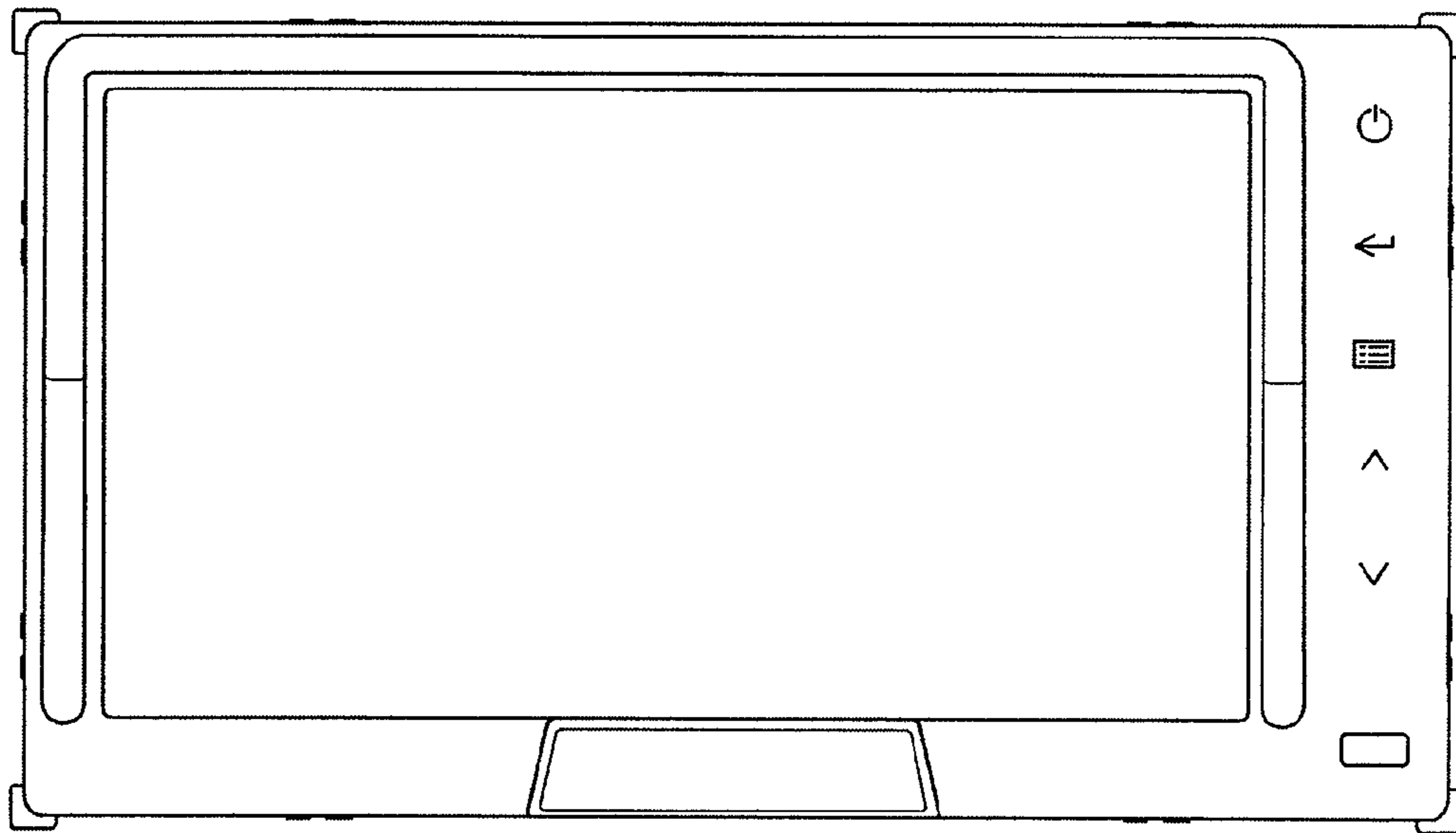


Fig.3

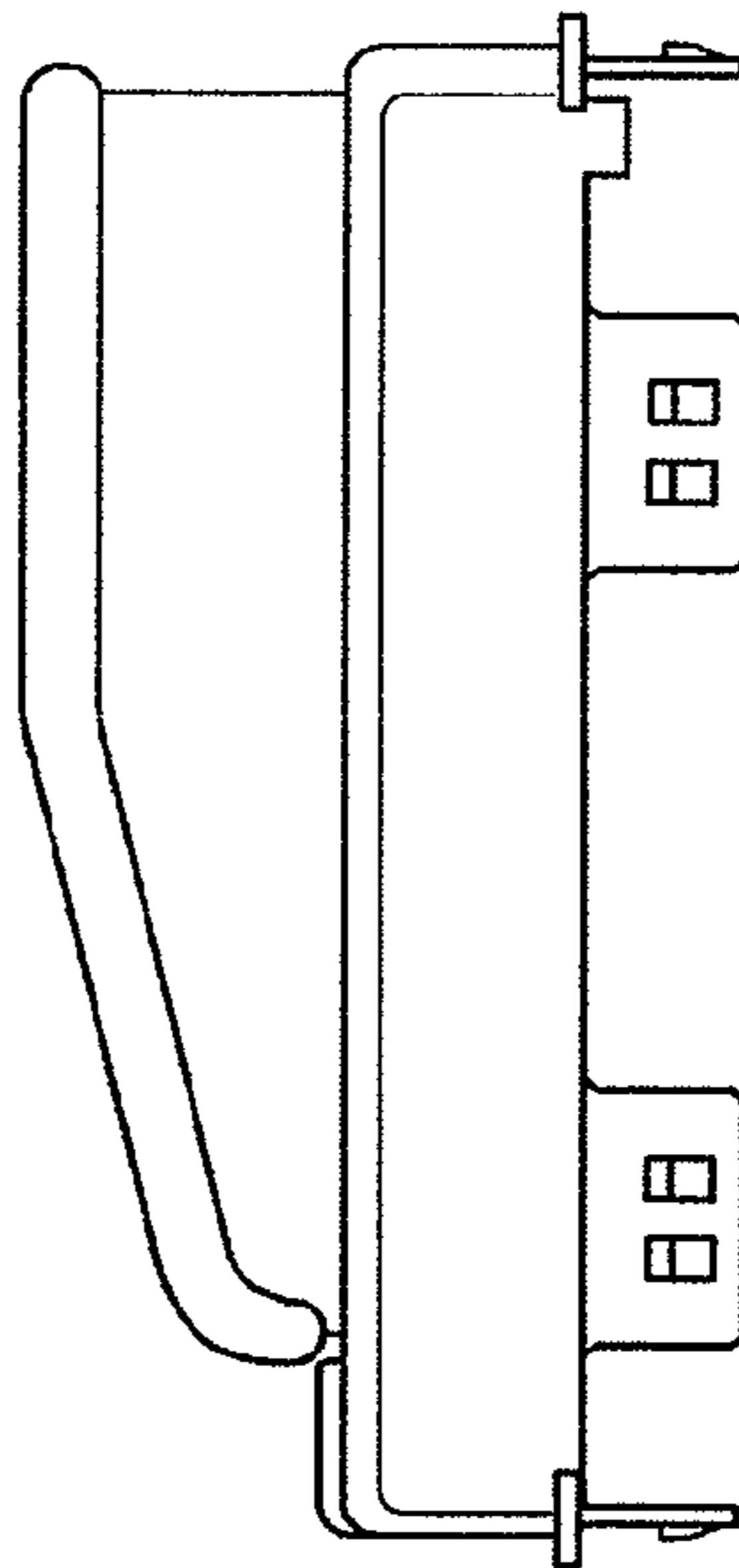


Fig.4

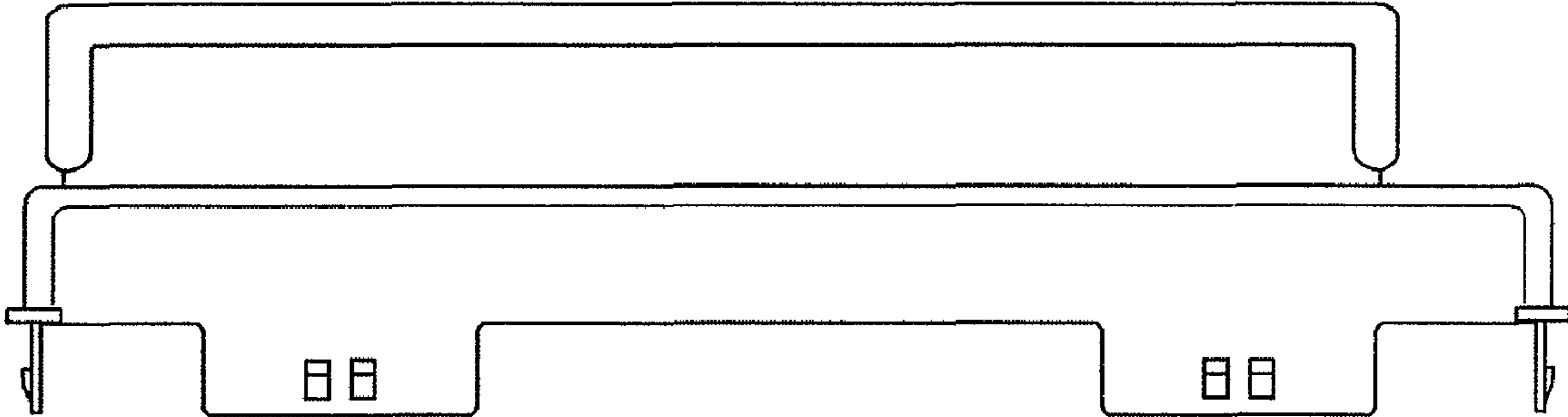


Fig.5

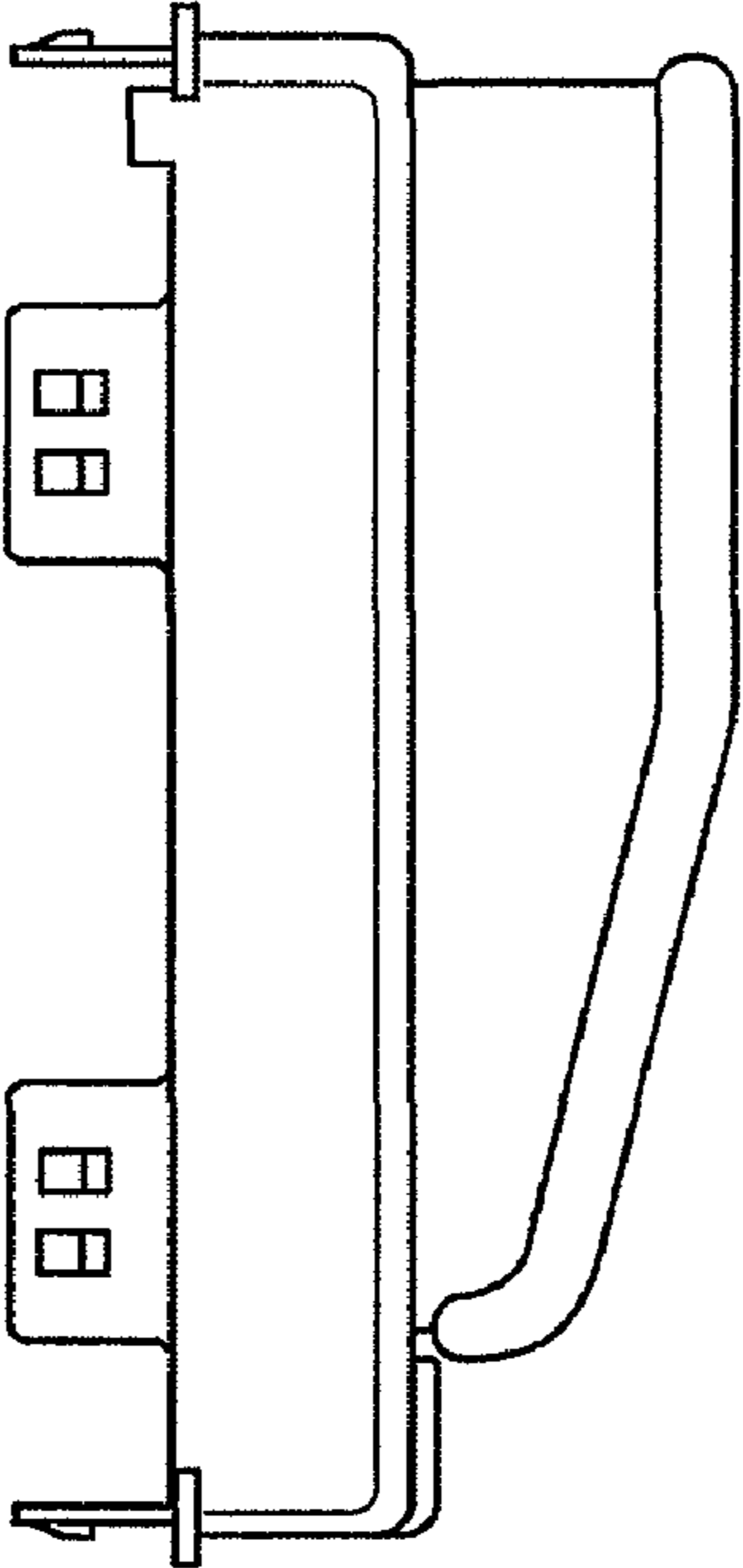


Fig.6

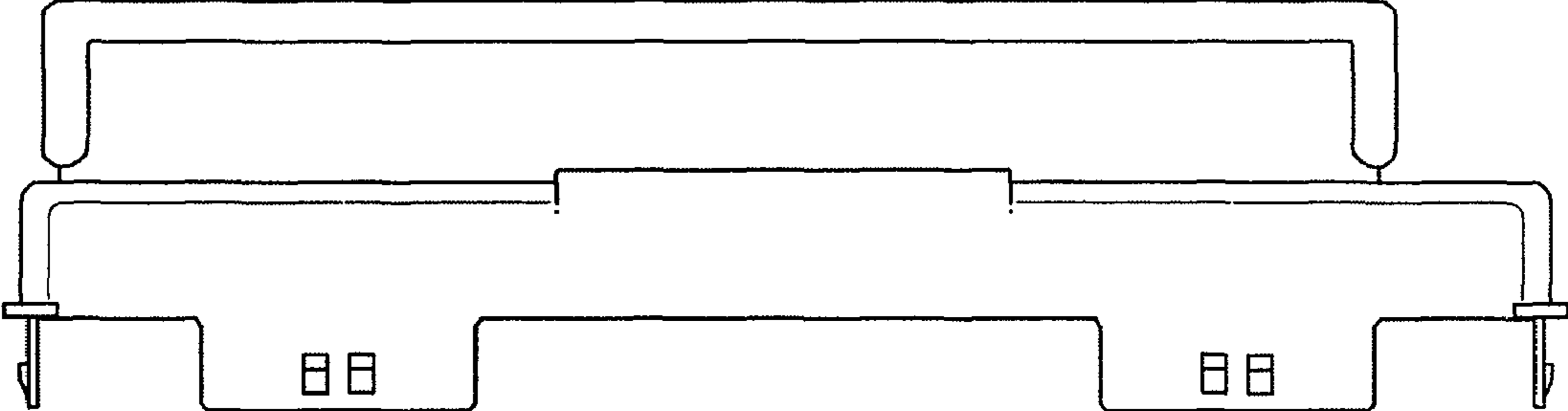
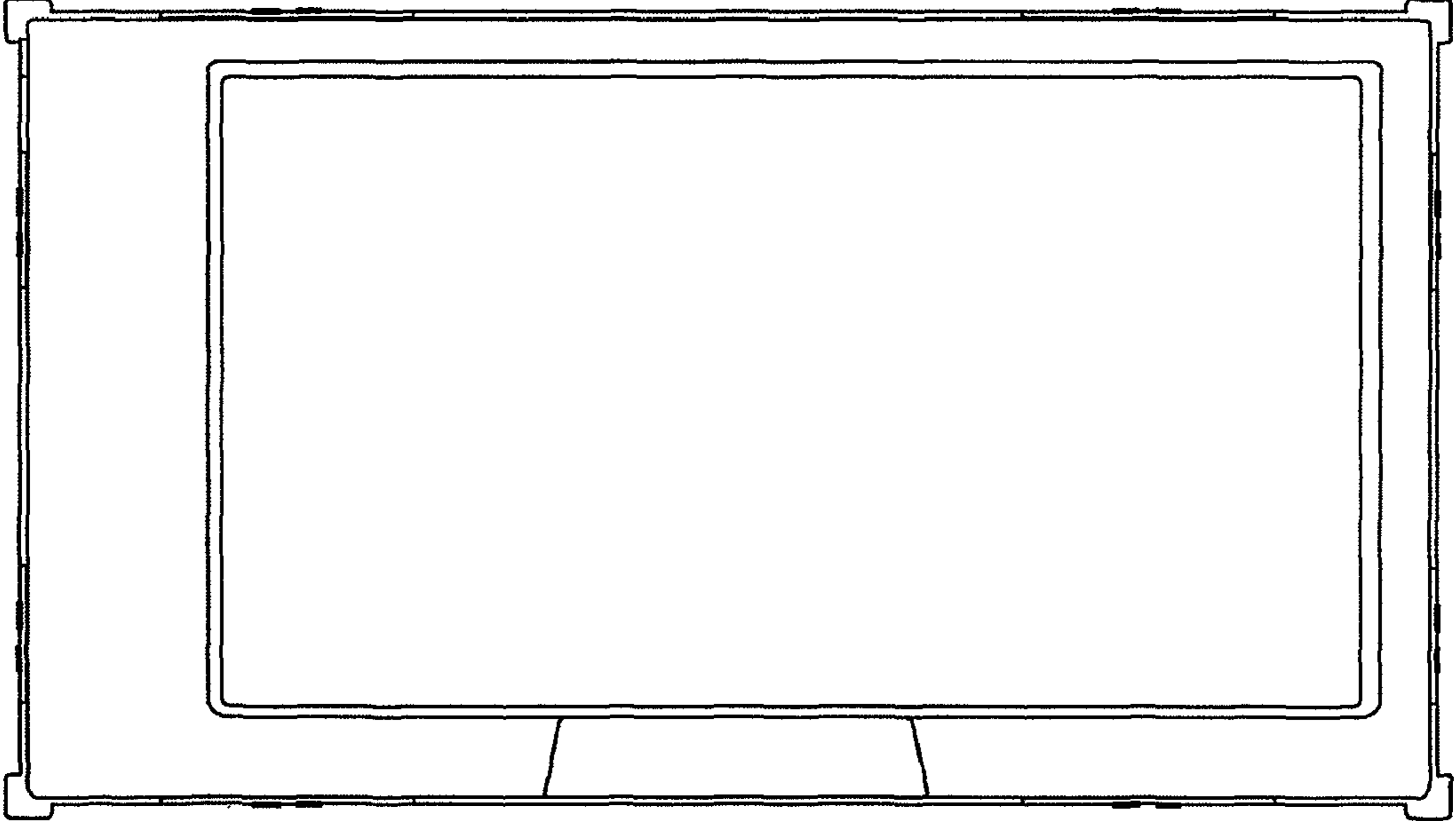


Fig.7



UNITED STATES PATENT AND TRADEMARK OFFICE  
**CERTIFICATE OF CORRECTION**

PATENT NO. : D640,215 S  
APPLICATION NO. : 29/380192  
DATED : June 21, 2011  
INVENTOR(S) : Hanson-Abbott

Page 1 of 1

It is certified that error appears in the above-identified patent and that said Letters Patent is hereby corrected as shown below:

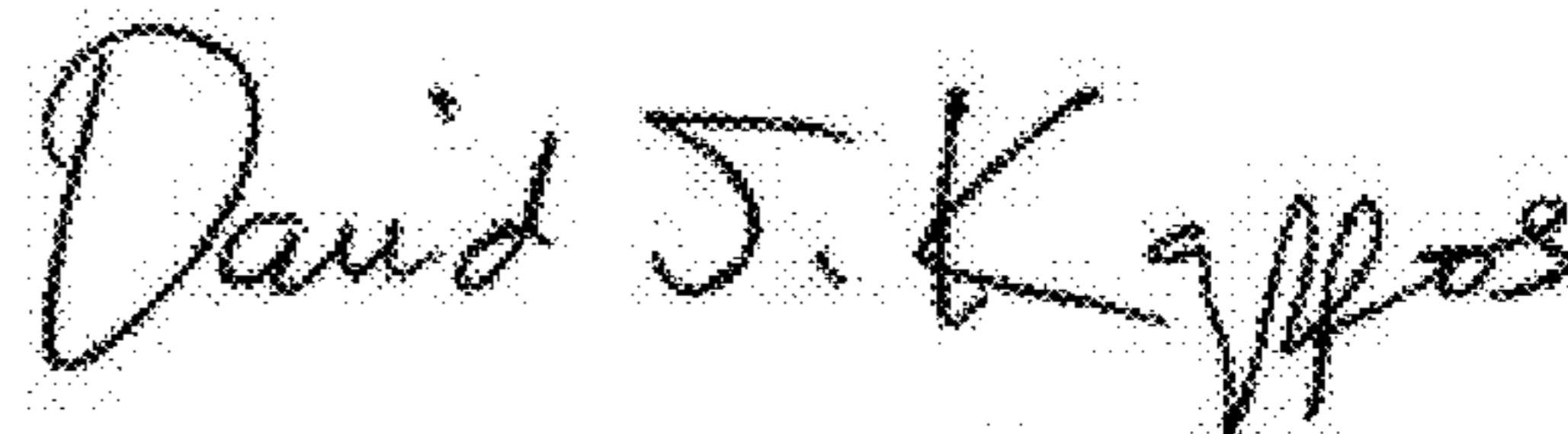
Title Page,

Item [30], Foreign Application Priority Data is missing and should read:

-- (30) Foreign Application Priority Data

August 6, 2010 (WO).....559217801 --

Signed and Sealed this  
Sixteenth Day of August, 2011



David J. Kappos  
*Director of the United States Patent and Trademark Office*