



US00D640213S

(12) **United States Design Patent**
Luo

(10) **Patent No.:** **US D640,213 S**

(45) **Date of Patent:** **** Jun. 21, 2011**

(54) **SET TOP BOX**

(75) Inventor: **Ting Luo**, Shenzhen (CN)

(73) Assignee: **Hon Hai Precision Industry Co., Ltd.**,
Tu-Cheng, New Taipei (TW)

(**) Term: **14 Years**

(21) Appl. No.: **29/381,992**

(22) Filed: **Dec. 27, 2010**

(51) **LOC (9) Cl.** **14-03**

(52) **U.S. Cl.** **D14/125**

(58) **Field of Classification Search** D14/125-134,
D14/168, 188, 197, 198, 371, 374-377; 312/7.1,
312/7.2; 348/836, 838, 180, 184, 325, 739;
341/12; 349/58; 720/600, 619, 646, 647,
720/655; 455/347-351; 369/75.11, 75.21
See application file for complete search history.

(56) **References Cited**

U.S. PATENT DOCUMENTS

D599,754	S	*	9/2009	Xie et al.	D14/125
D605,627	S	*	12/2009	Andre et al.	D14/203.7
D606,543	S	*	12/2009	Wong et al.	D14/358
D615,526	S	*	5/2010	Andre et al.	D14/203.7
D615,554	S	*	5/2010	Andre et al.	D14/496
D616,465	S	*	5/2010	Jones et al.	D14/496

D616,863	S	*	6/2010	Andre et al.	D14/496
D616,864	S	*	6/2010	Andre et al.	D14/203.7
D623,154	S	*	9/2010	Tu	D14/125
2002/0085342	A1	*	7/2002	Chen et al.	361/683

* cited by examiner

Primary Examiner — Raphael Barkai

Assistant Examiner — Randall Gholson

(74) *Attorney, Agent, or Firm* — Zhigang Ma

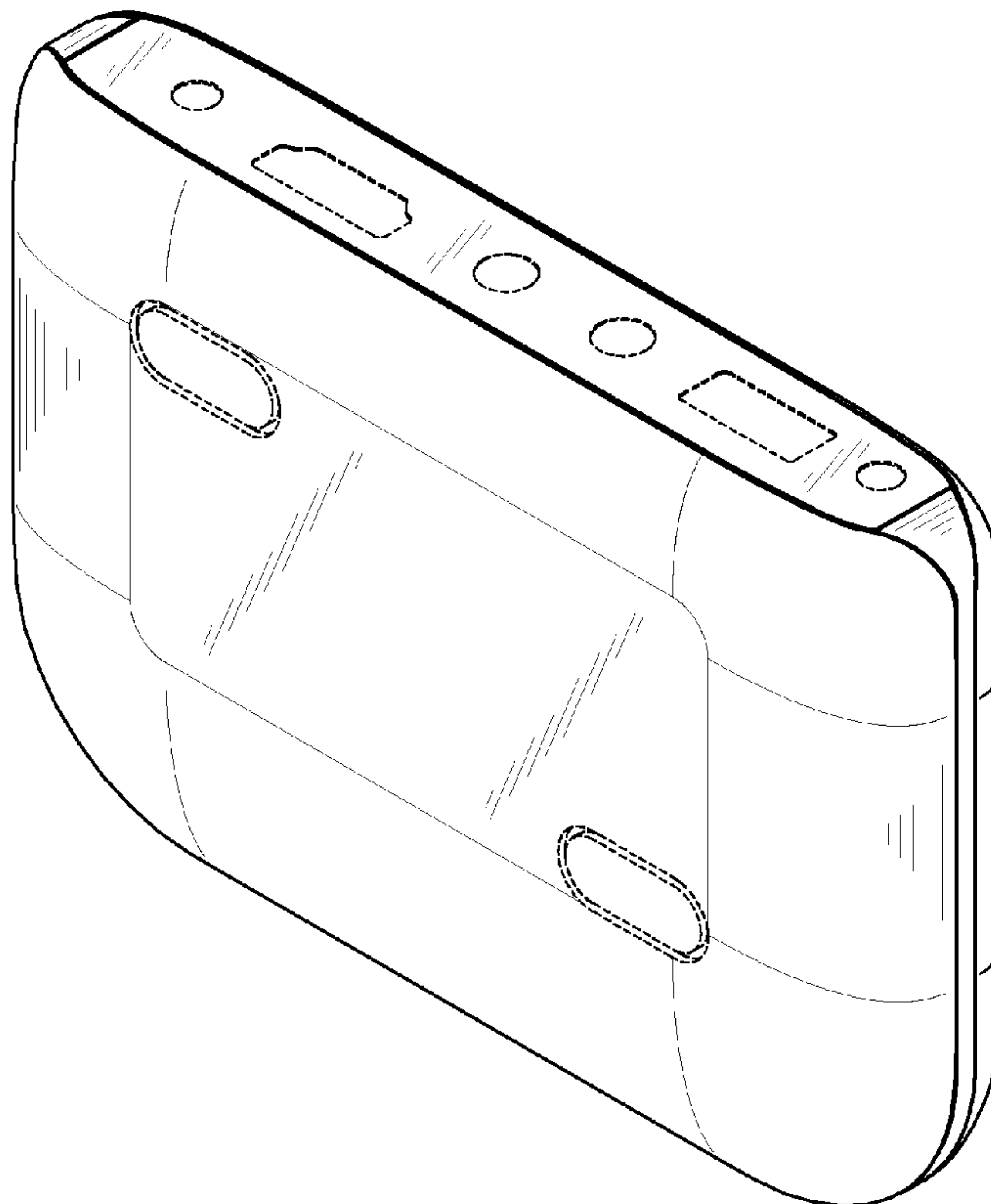
(57) **CLAIM**

The ornamental design for a set top box, as shown and described.

DESCRIPTION

FIG. 1 is a perspective view of a set top box showing my new design;
FIG. 2 is a front elevational view thereof;
FIG. 3 is a rear elevational view thereof.
FIG. 4 is a left side elevational view thereof;
FIG. 5 is a right side elevational view thereof;
FIG. 6 is a top plan view thereof; and,
FIG. 7 is a bottom plan view thereof.
The broken lines shown in the drawings are included for the purpose of illustrating environmental structure and forms no part of the claimed design.

1 Claim, 7 Drawing Sheets



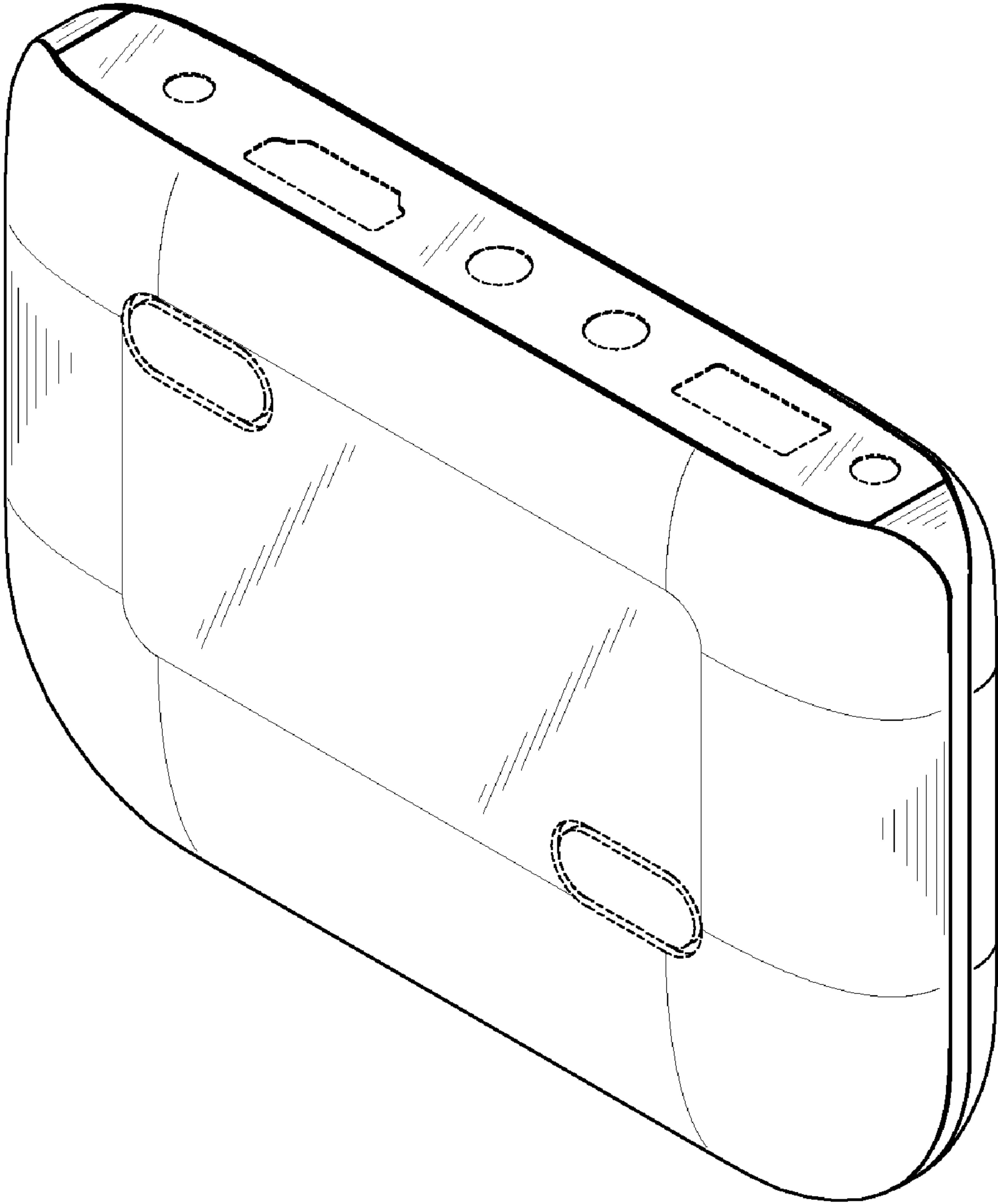


FIG. 1

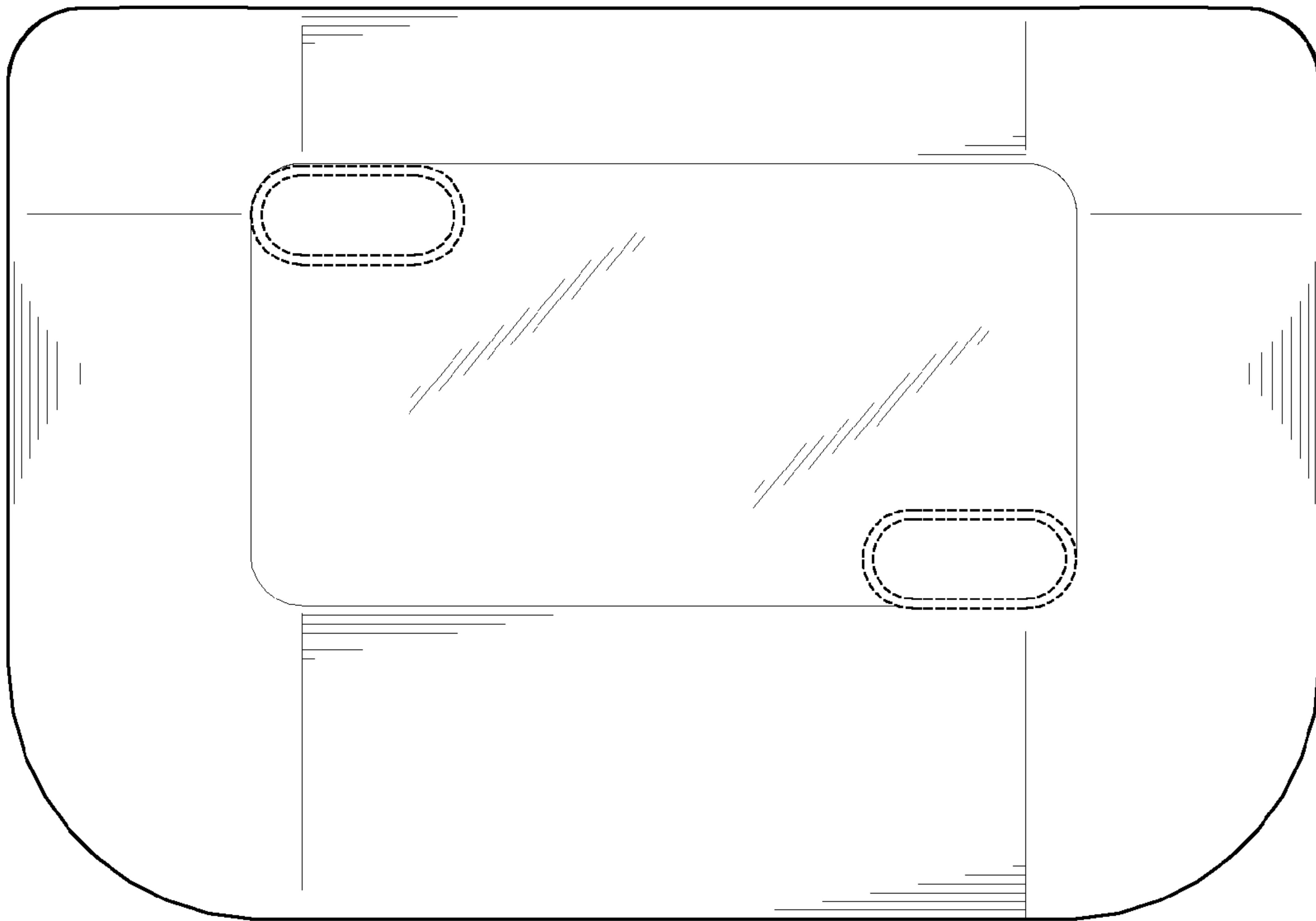


FIG. 2

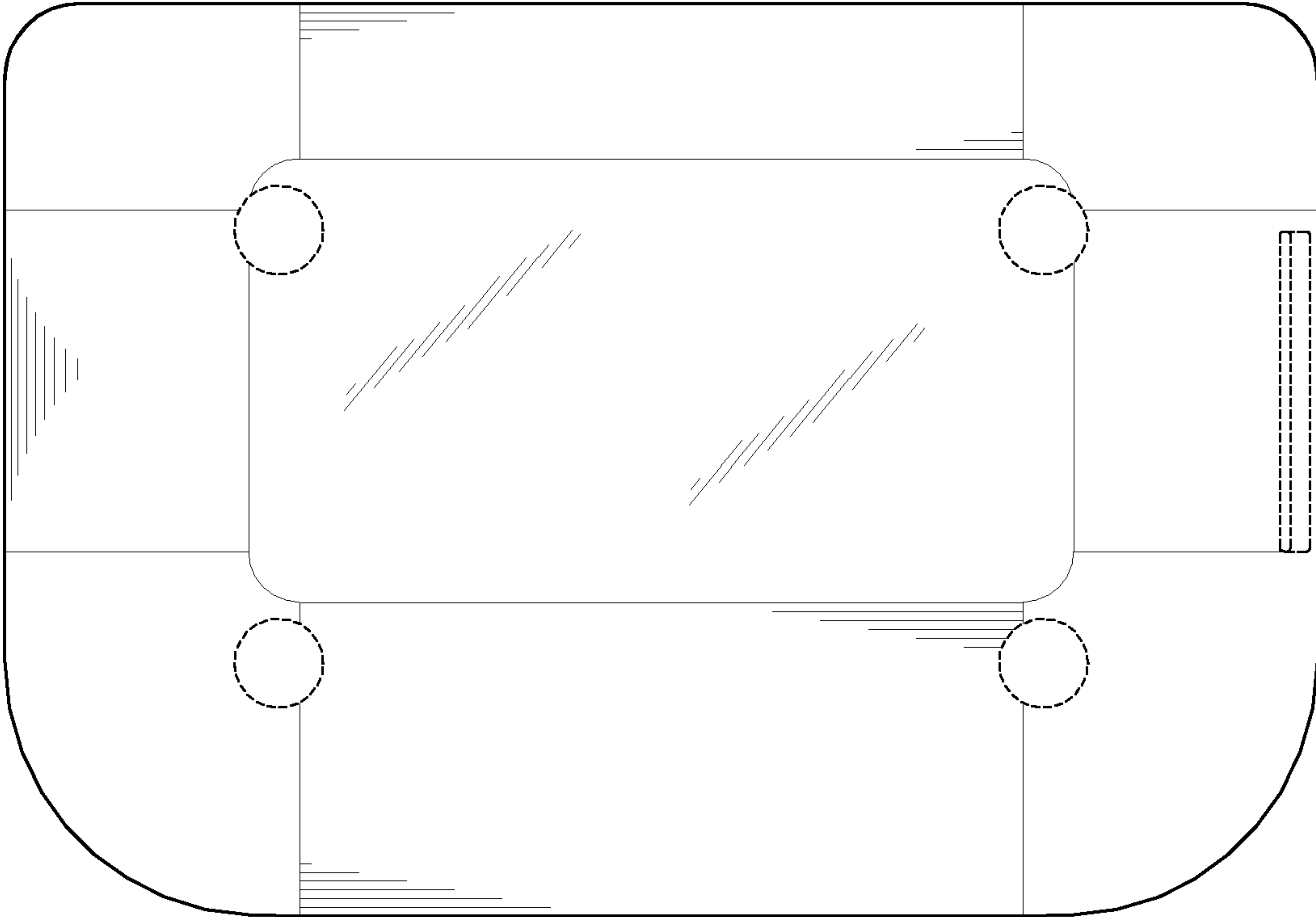


FIG. 3

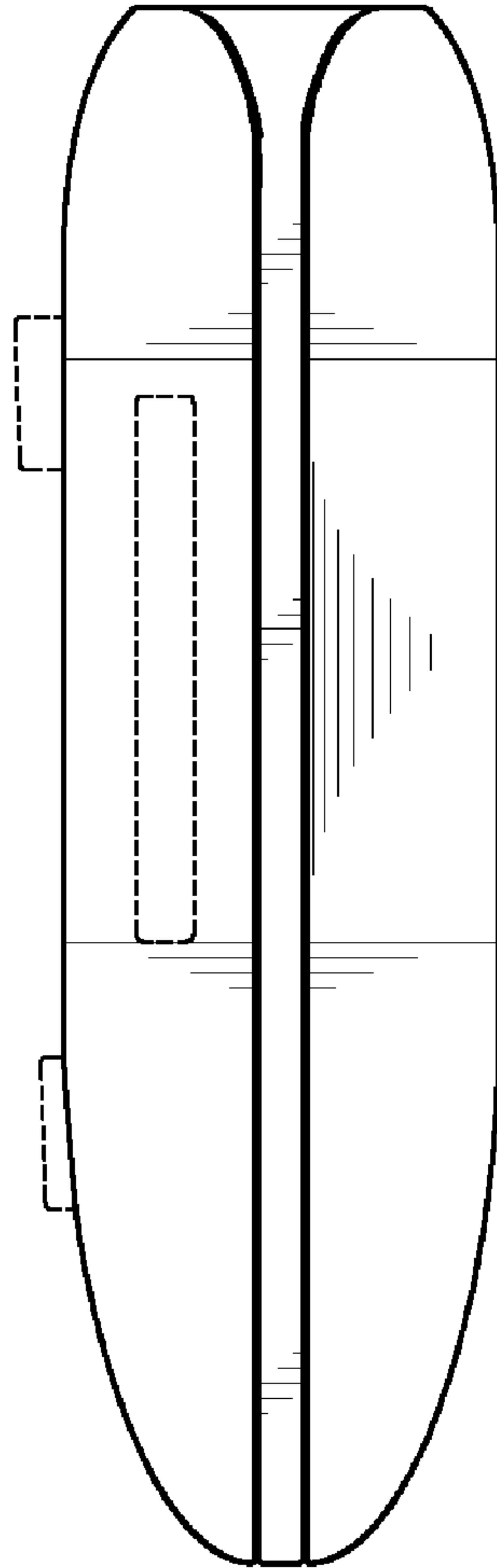


FIG. 4

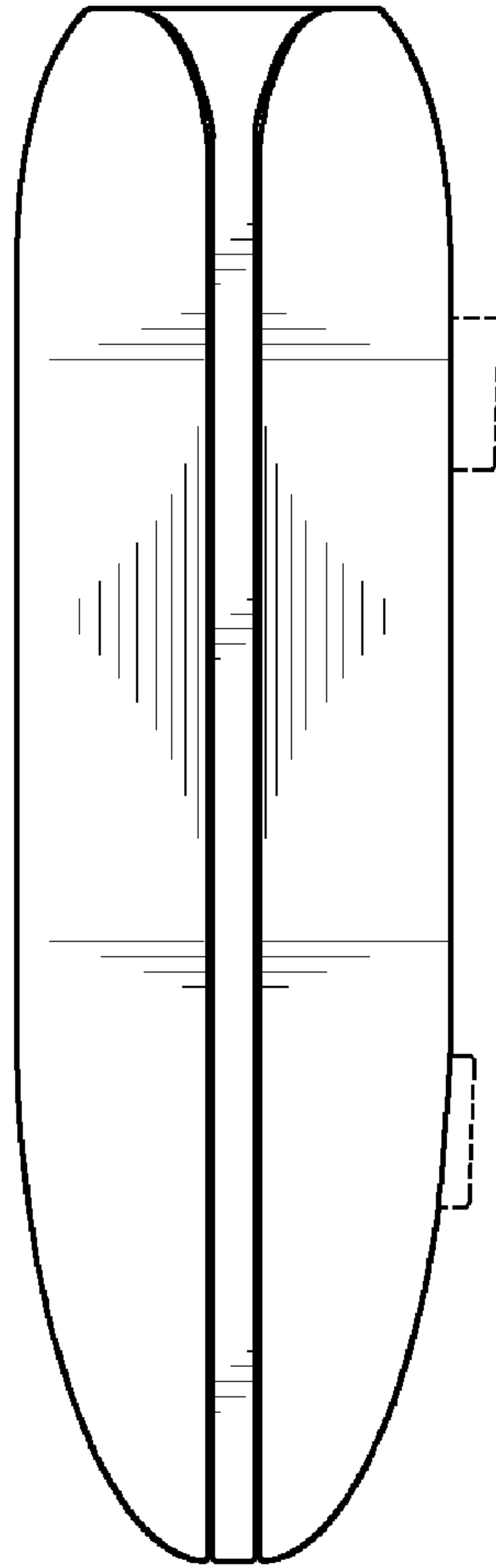


FIG. 5

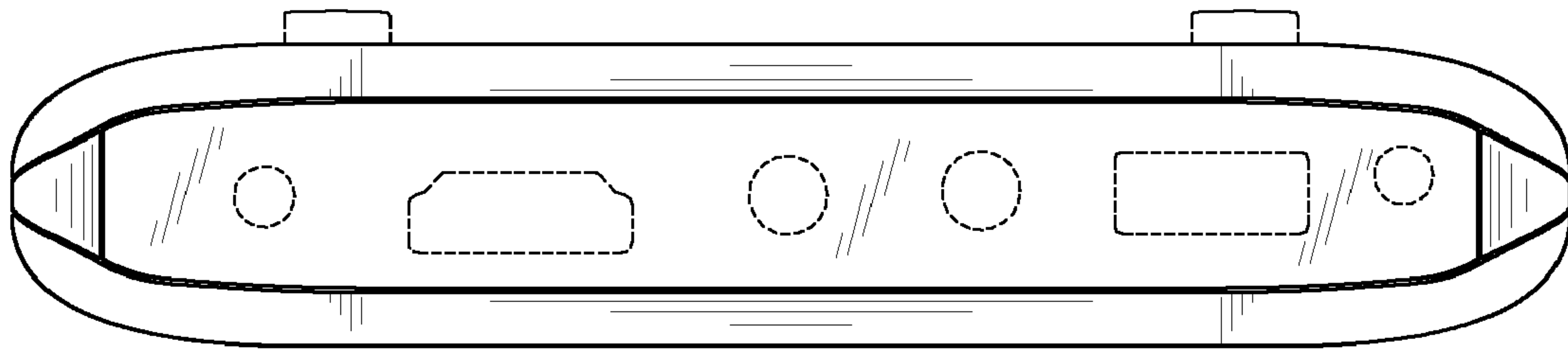


FIG. 6

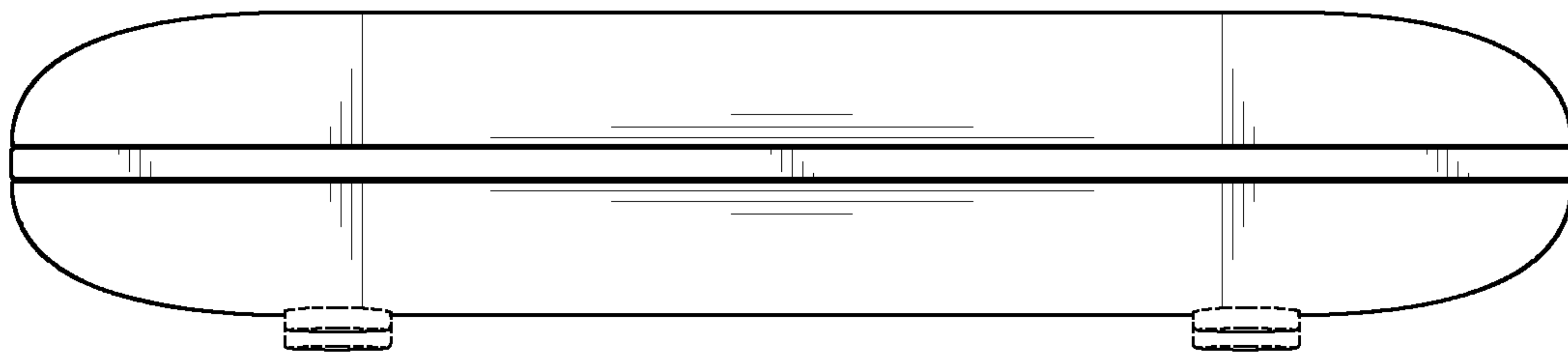


FIG. 7