



US00D640211S

(12) **United States Design Patent**
Kokubu et al.

(10) **Patent No.:** **US D640,211 S**

(45) **Date of Patent:** **** Jun. 21, 2011**

(54) **LIGHT EMITTING DIODE**

(75) Inventors: **Hideki Kokubu**, Kiyosu (JP);
Toshimasa Hayashi, Kiyosu (JP);
Yukihiro Demukai, Kiyosu (JP)

(73) Assignee: **Toyoda Gosei Co., Ltd.**, Kiyosu-Shi,
Aichi-Ken (JP)

(**) Term: **14 Years**

(21) Appl. No.: **29/347,647**

(22) Filed: **Mar. 26, 2010**

(30) **Foreign Application Priority Data**

Sep. 28, 2009 (JP) 2009-022300
Sep. 28, 2009 (JP) 2009-022301

(51) **LOC (9) Cl.** **13-03**

(52) **U.S. Cl.** **D13/180**

(58) **Field of Classification Search** D13/180;
D26/2; 257/79, 80, 81, 88, 89, 95, 98, 99,
257/100, E33.058; 313/483, 498, 500; 362/555,
362/800

See application file for complete search history.

(56) **References Cited**

U.S. PATENT DOCUMENTS

D494,550 S *	8/2004	Hoshiba	D13/180
D495,304 S *	8/2004	Kim et al.	D13/180
D573,114 S *	7/2008	Min et al.	D13/180
D595,244 S *	6/2009	In et al.	D13/180
D595,245 S *	6/2009	Kim et al.	D13/180
D595,674 S *	7/2009	Wang et al.	D13/180
D595,675 S *	7/2009	Wang et al.	D13/180
D596,591 S *	7/2009	In et al.	D13/180
D597,970 S *	8/2009	Kobayakawa et al.	D13/180
D608,309 S *	1/2010	Kim	D13/180
D611,012 S *	3/2010	Hsieh	D13/180

FOREIGN PATENT DOCUMENTS

JP	D 1318029	12/2007
JP	D 1351098	2/2009

* cited by examiner

Primary Examiner — Selina Sikder

(74) *Attorney, Agent, or Firm* — McGinn IP Law Group,
PLLC

(57) **CLAIM**

The ornamental design for a light emitting diode, as shown and described.

DESCRIPTION

FIG. 1 is a perspective view of the top, front and left side of a light emitting diode showing our new design of a first embodiment;

FIG. 2 is a perspective view of the bottom, front and right side thereof;

FIG. 3 is a front view thereof;

FIG. 4 is a rear view thereof;

FIG. 5 is a top plan view thereof;

FIG. 6 is a bottom view thereof;

FIG. 7 is a right side view thereof;

FIG. 8 is a left side view thereof;

FIG. 9 is a cross sectional view thereof at 9—9 in FIG. 5;

FIG. 10 is a cross sectional view thereof at 10—10 in FIG. 5;

FIG. 11 is a perspective view of a second embodiment of a light emitting diode showing our new design;

FIG. 12 is a perspective view of the bottom, front and right side thereof;

FIG. 13 is a front view thereof;

FIG. 14 is a rear view thereof;

FIG. 15 is a top plan view thereof;

FIG. 16 is a bottom view thereof;

FIG. 17 is a right side view thereof;

FIG. 18 is a left side view thereof;

FIG. 19 is a cross sectional view thereof at 19—19 in FIG. 15; and,

FIG. 20 is a cross sectional view thereof at 20—20 in FIG. 15.

1 Claim, 8 Drawing Sheets

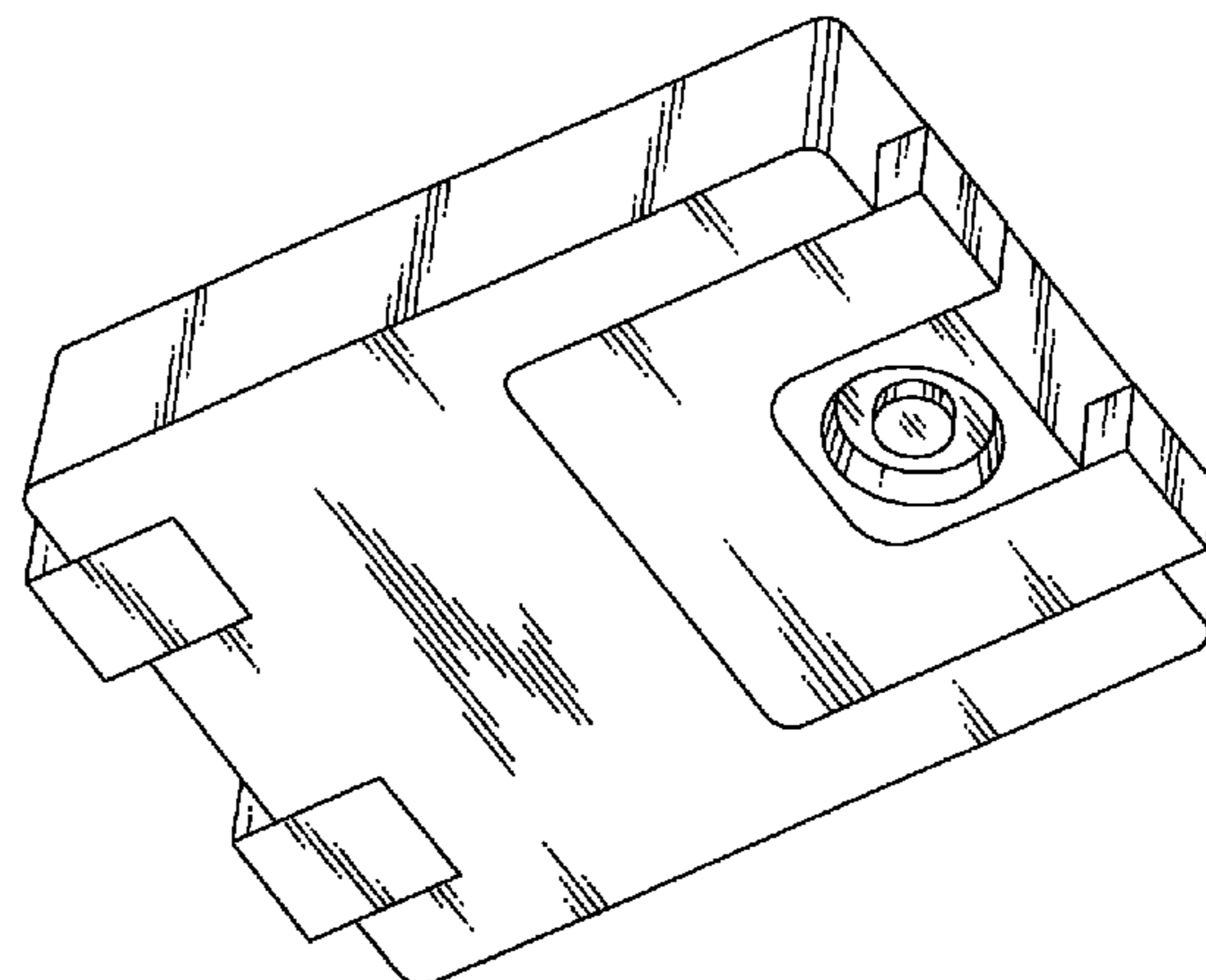
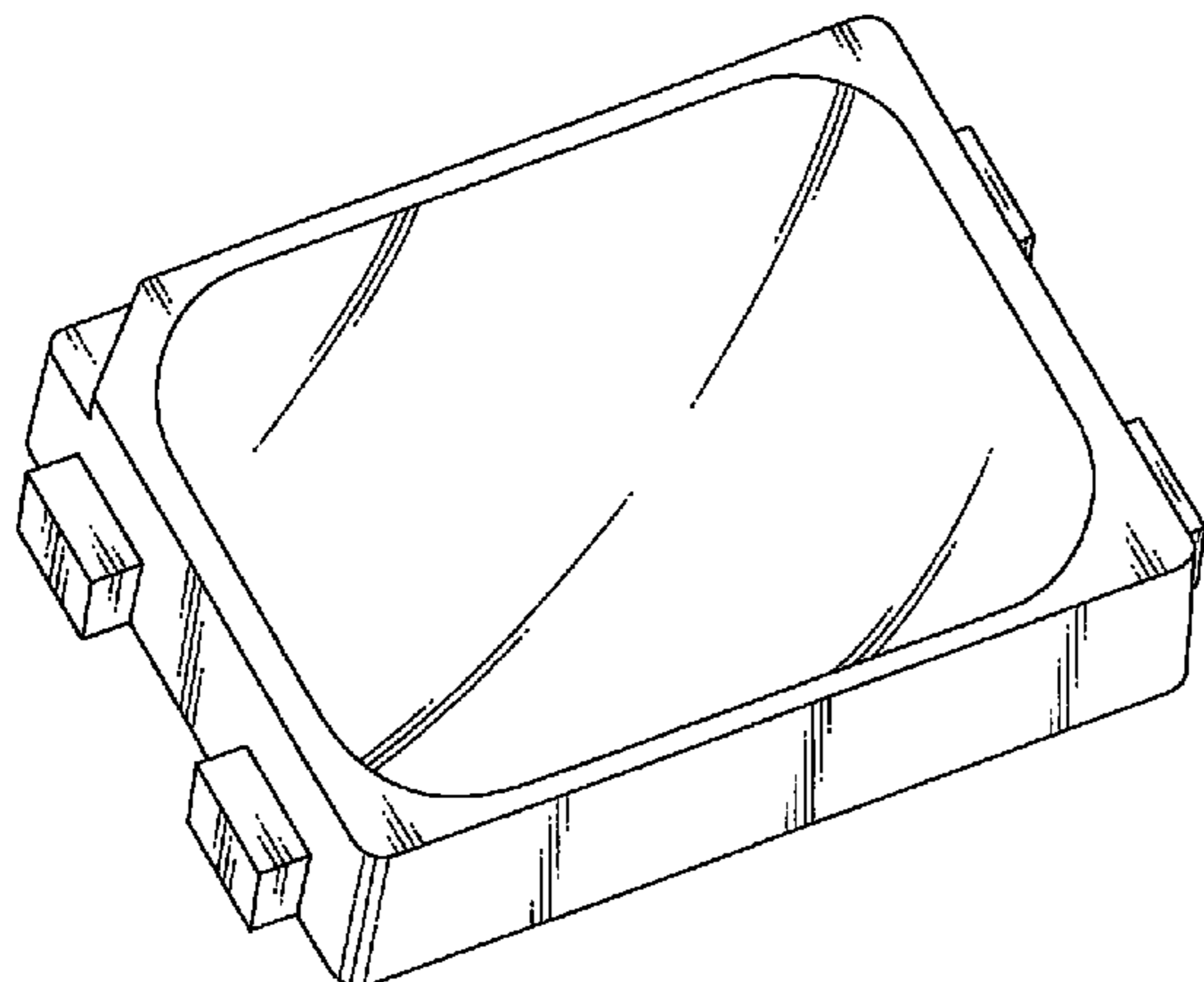


FIG.1

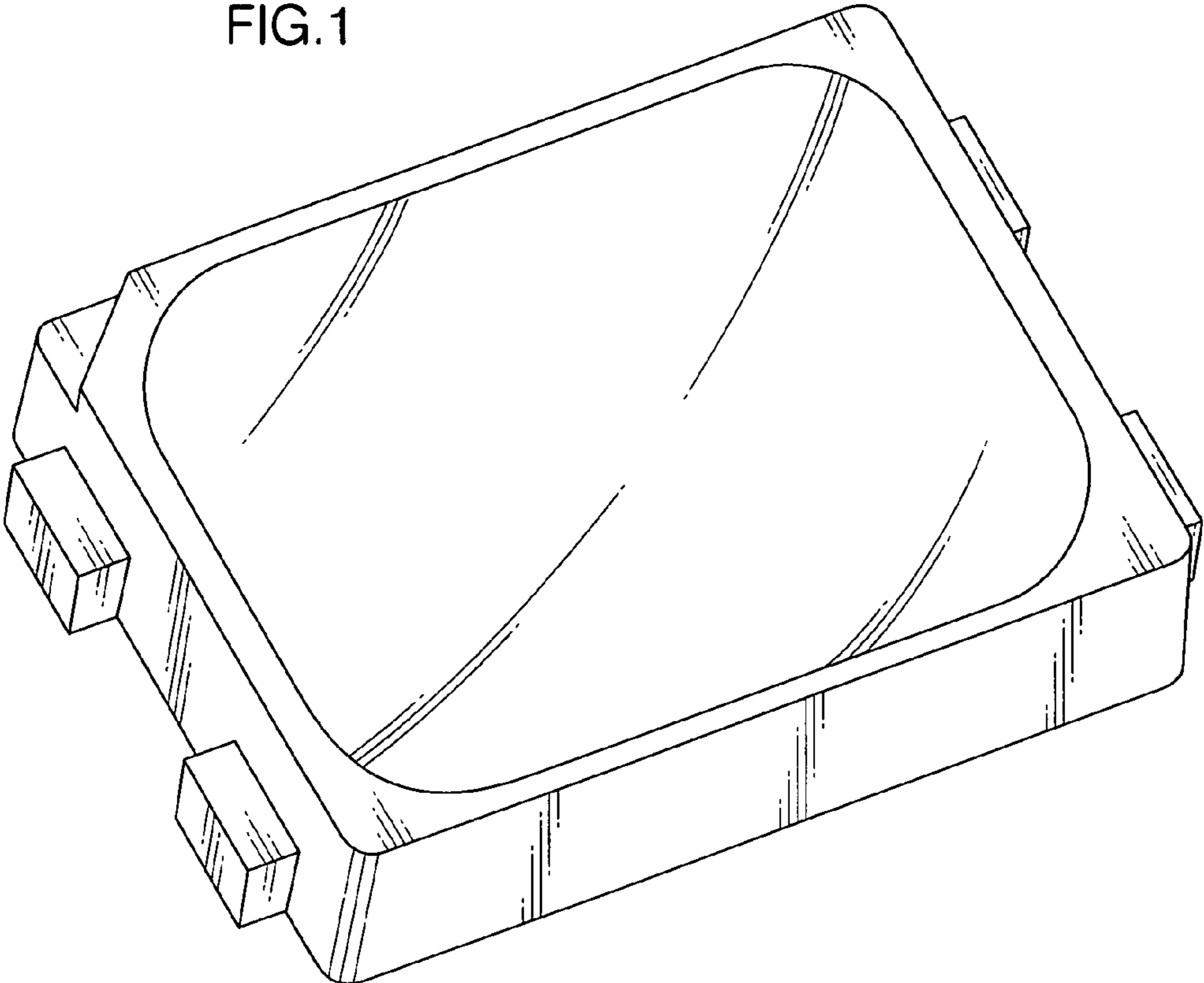


FIG.2

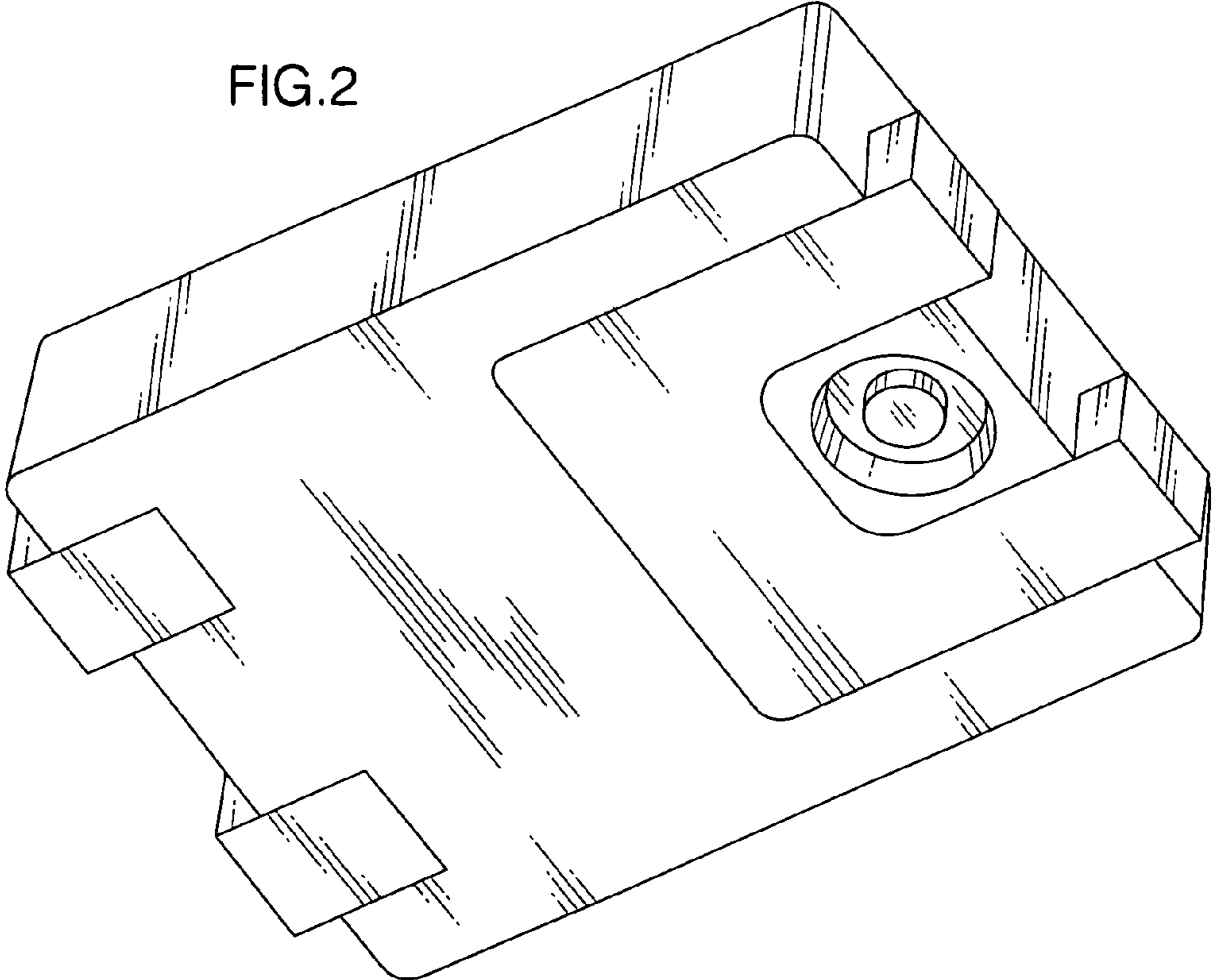


FIG.3

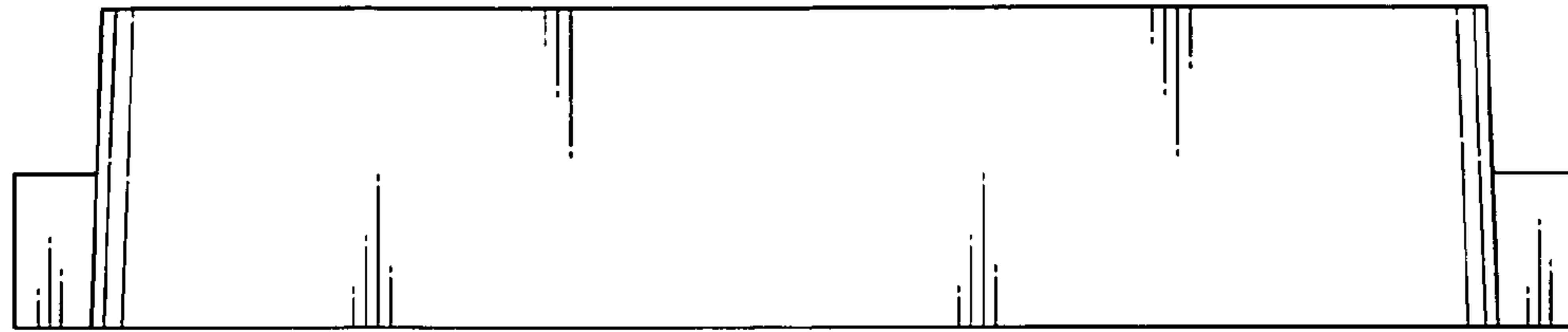


FIG.4

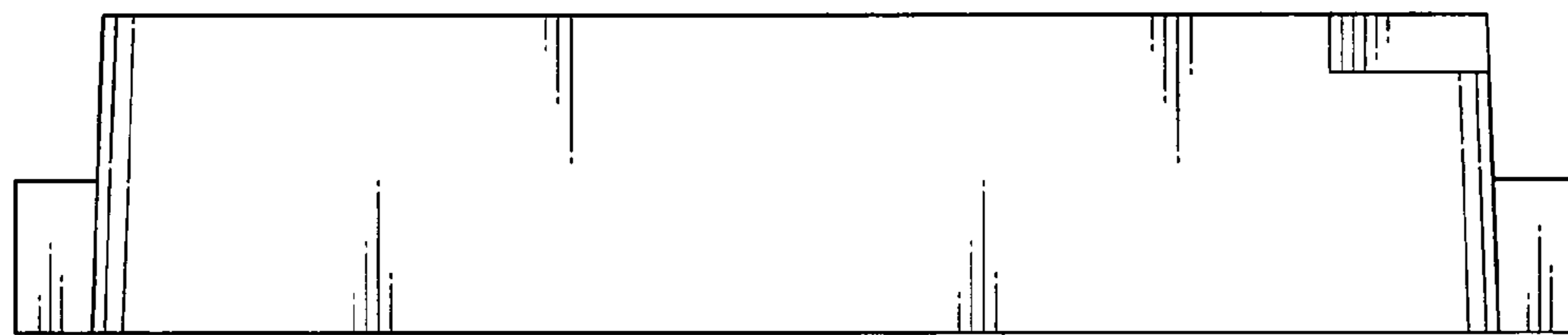


FIG.5

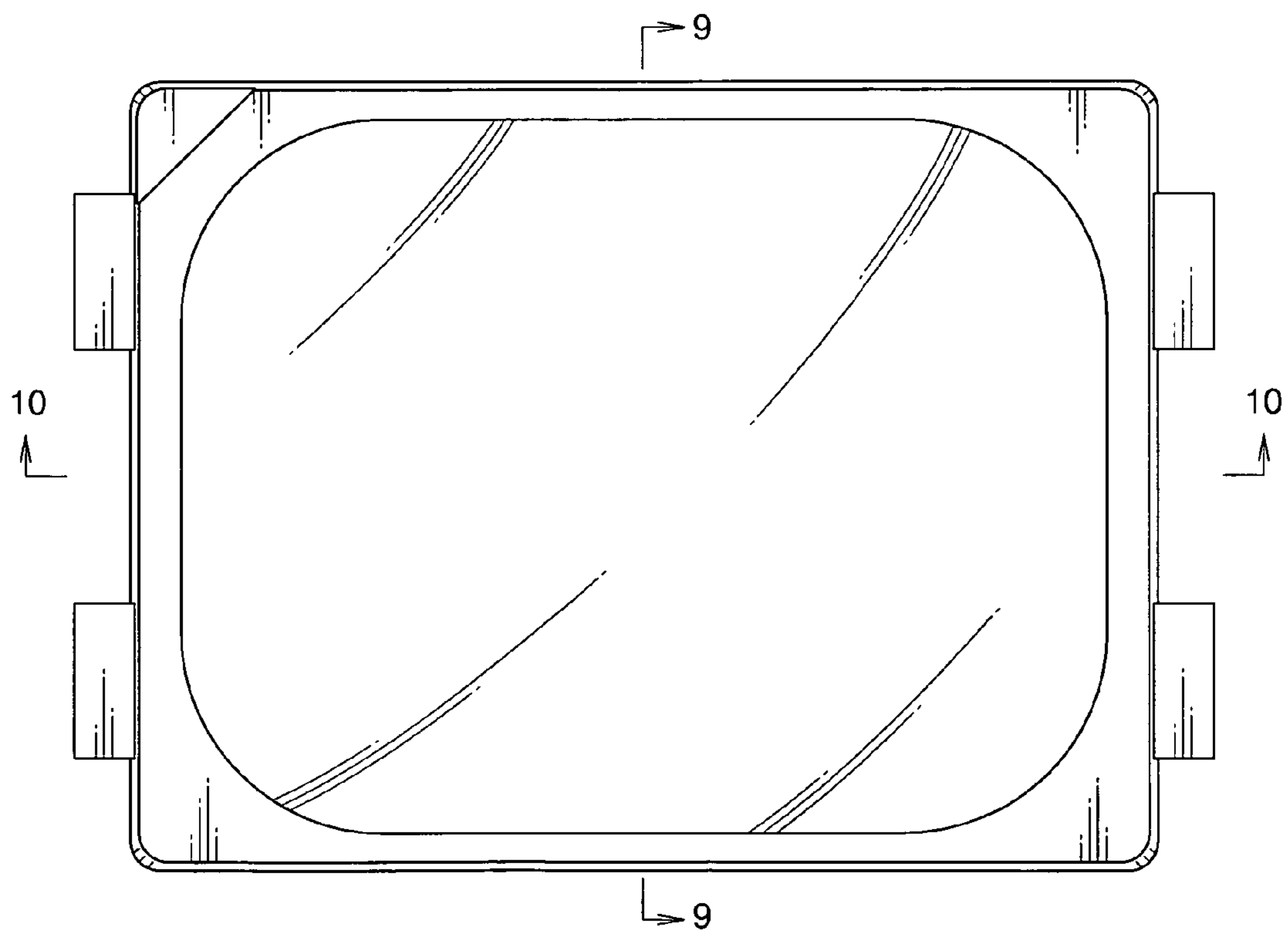


FIG.6

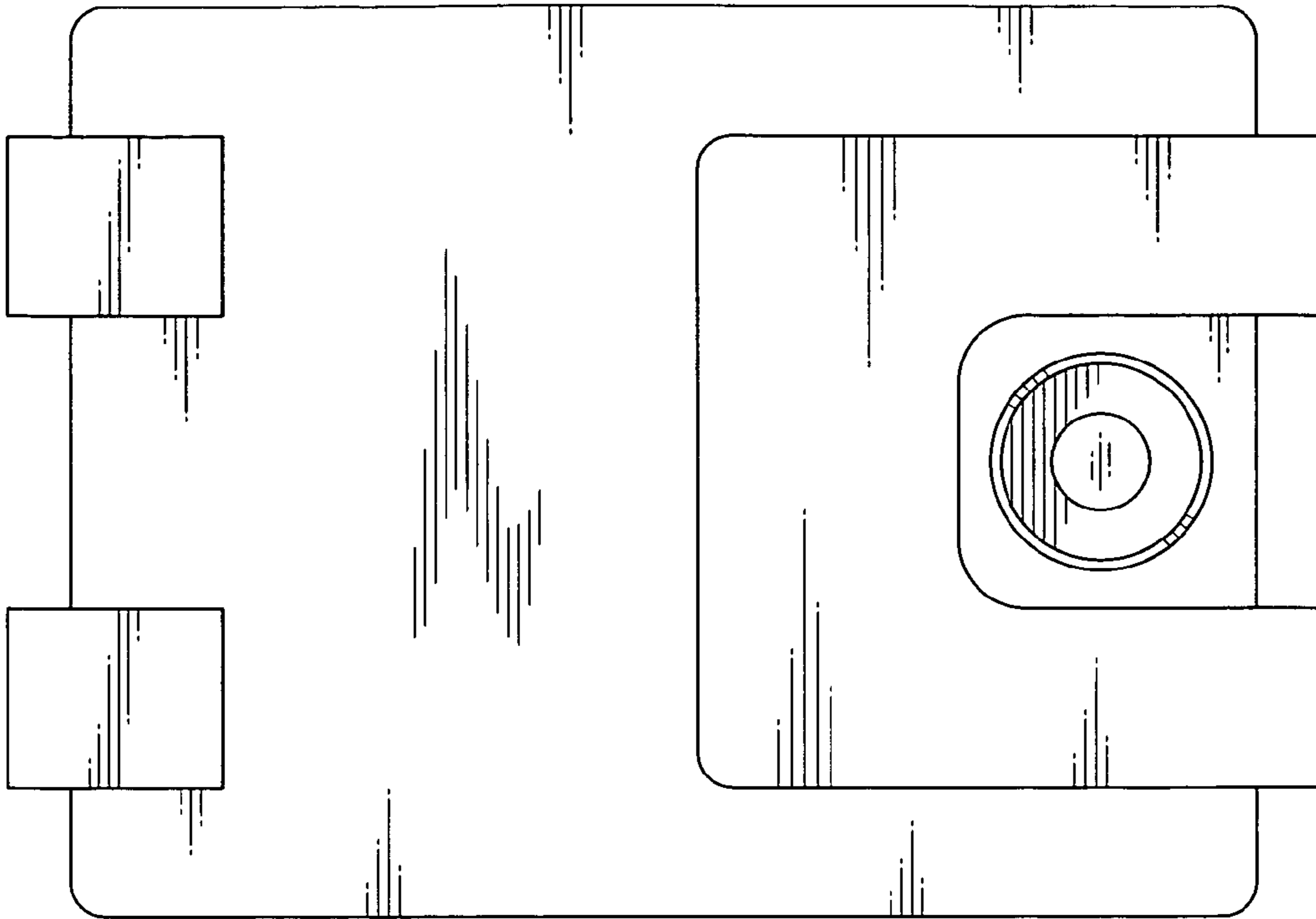


FIG.7

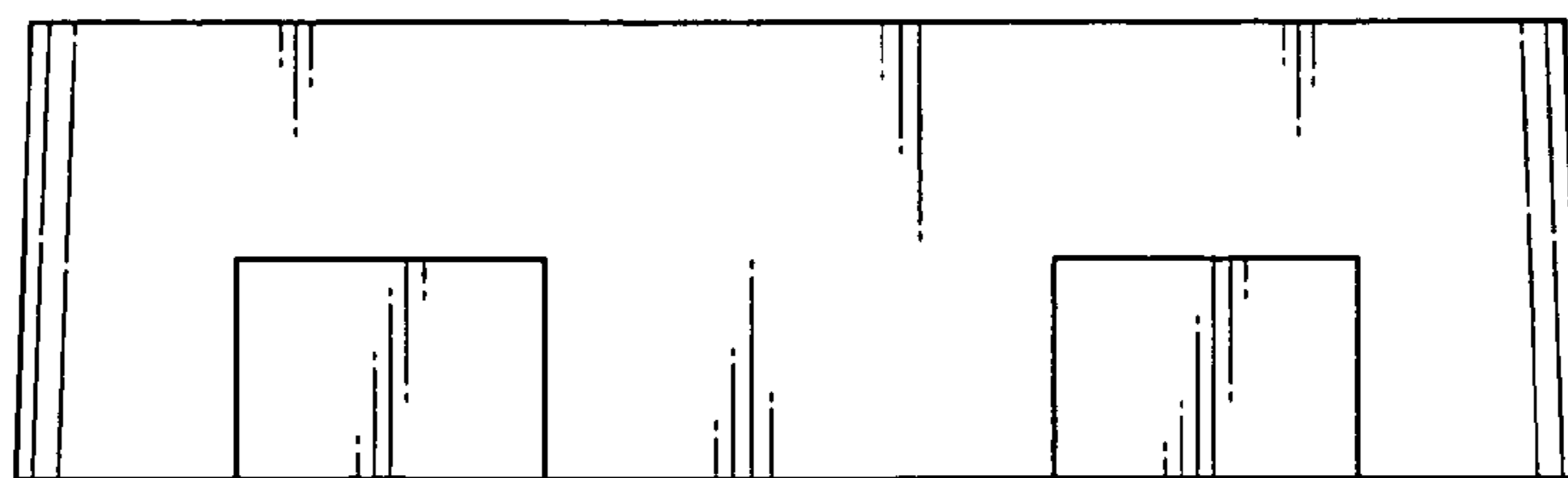


FIG.8

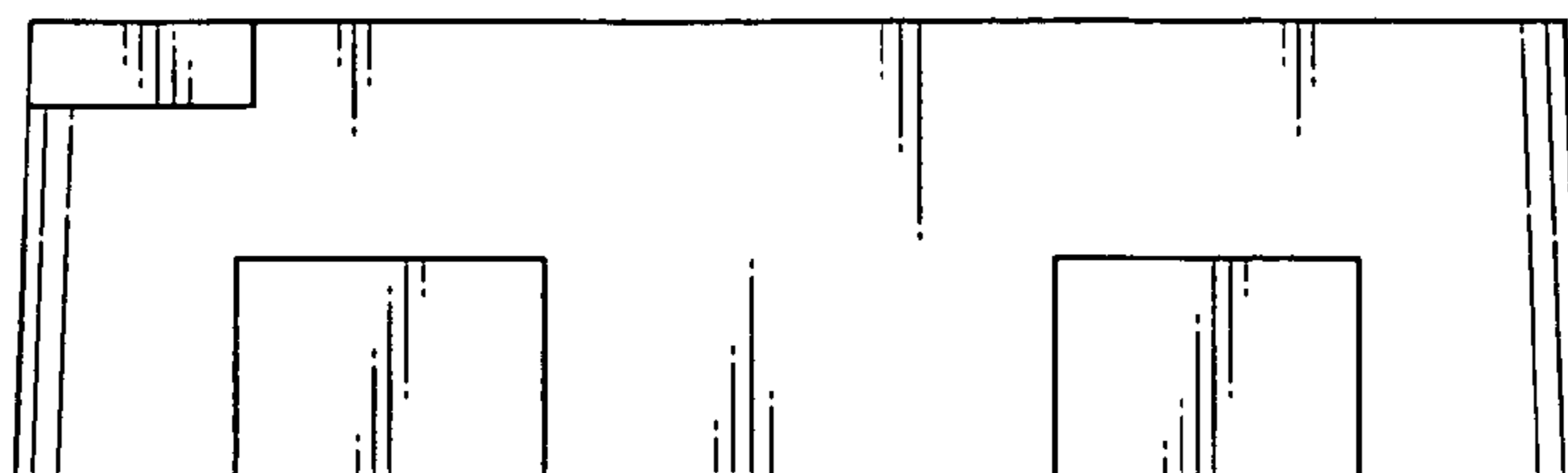


FIG.9

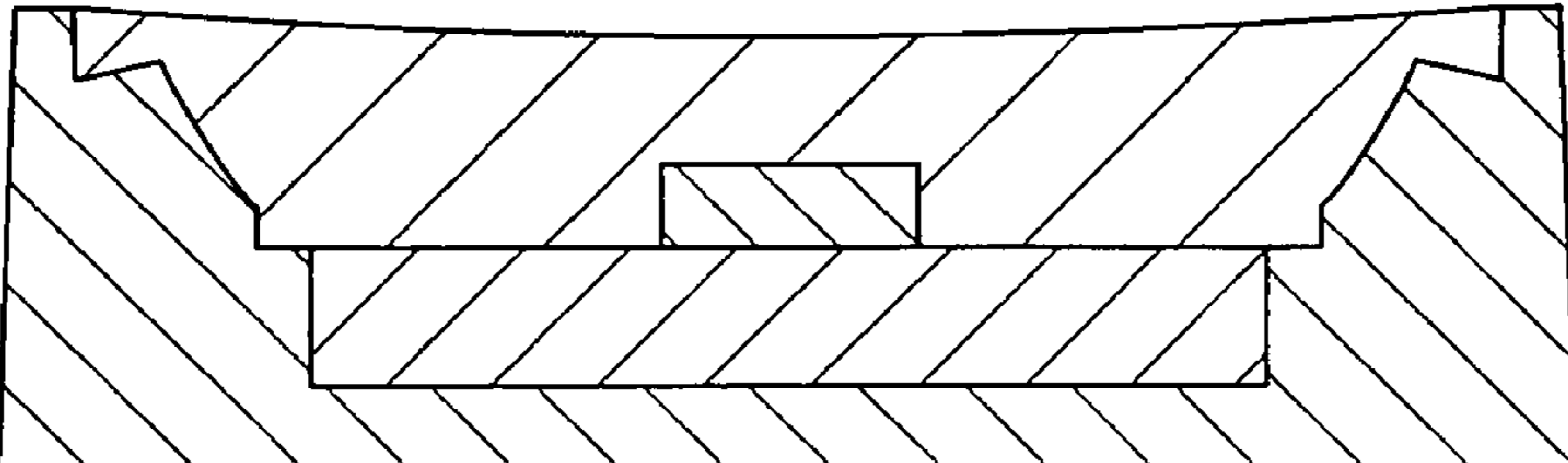


FIG.10

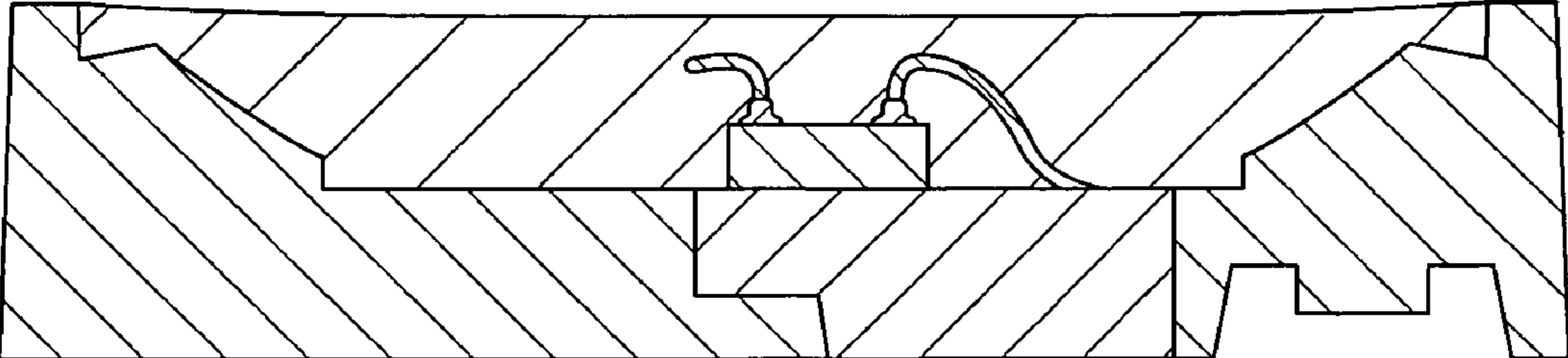


FIG.11

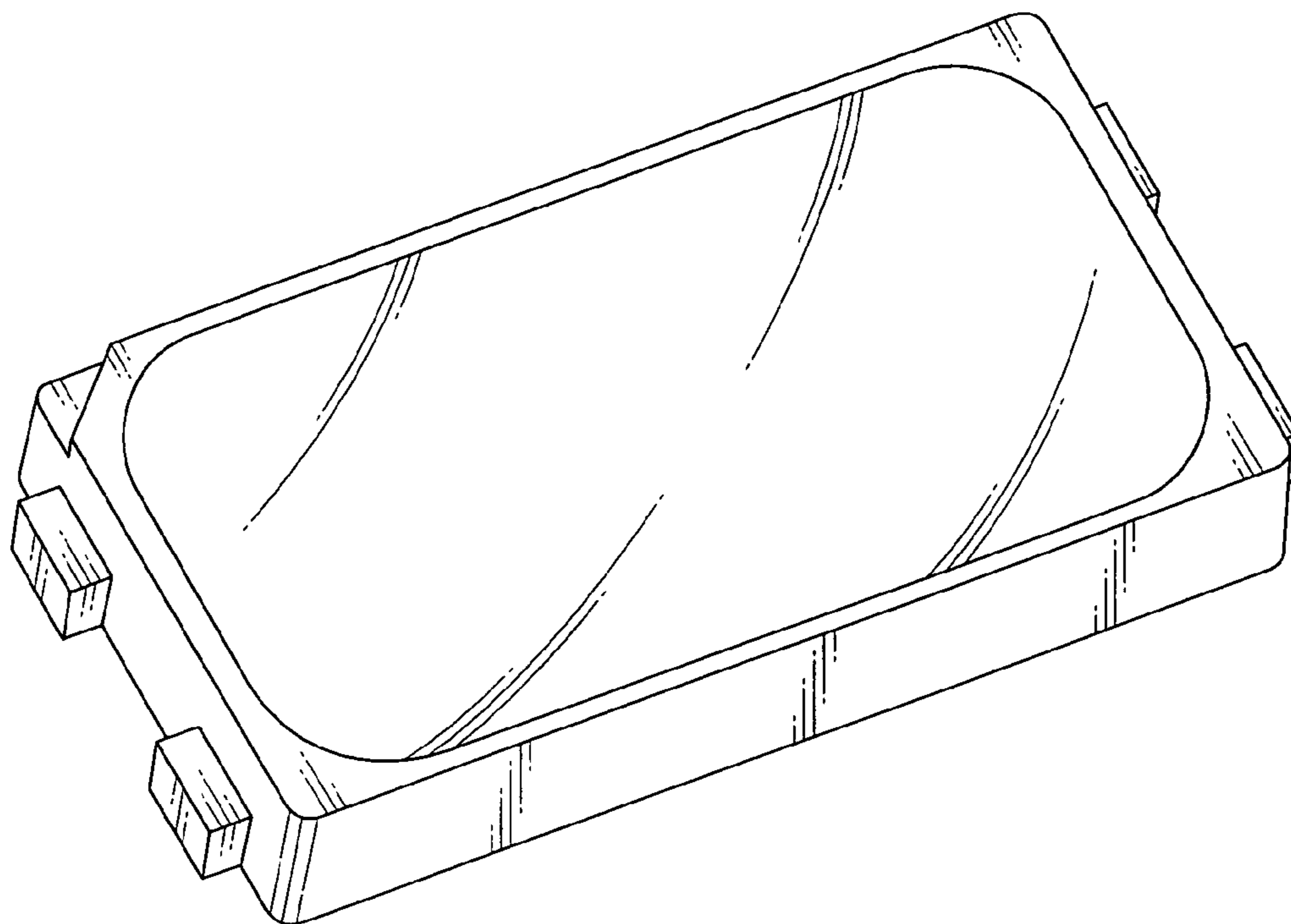


FIG.12

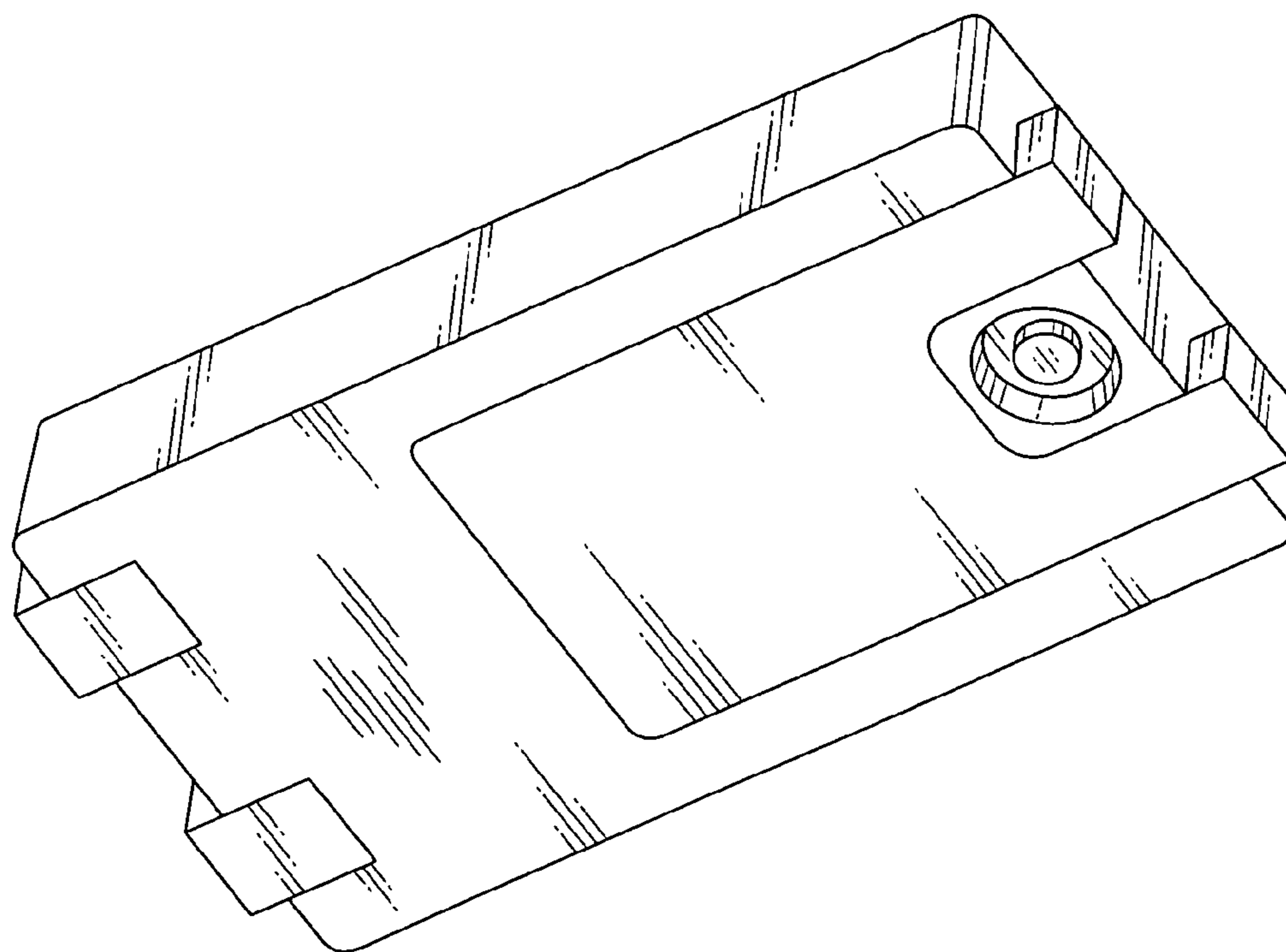


FIG.13

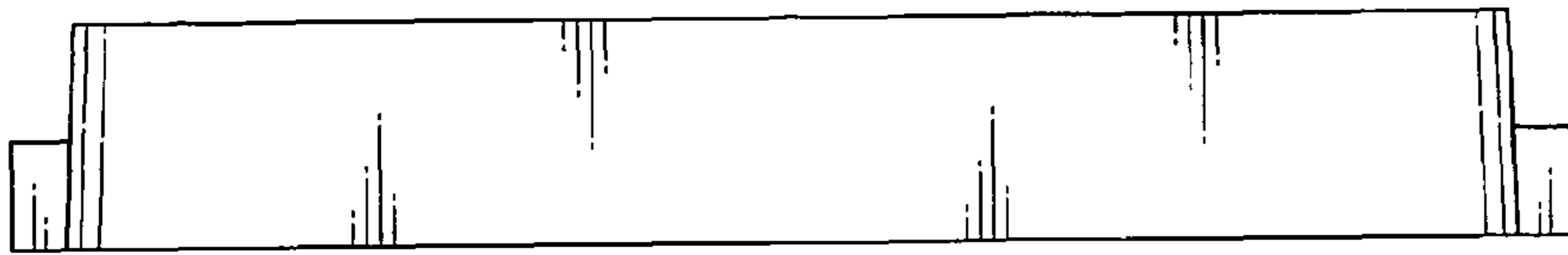


FIG.14

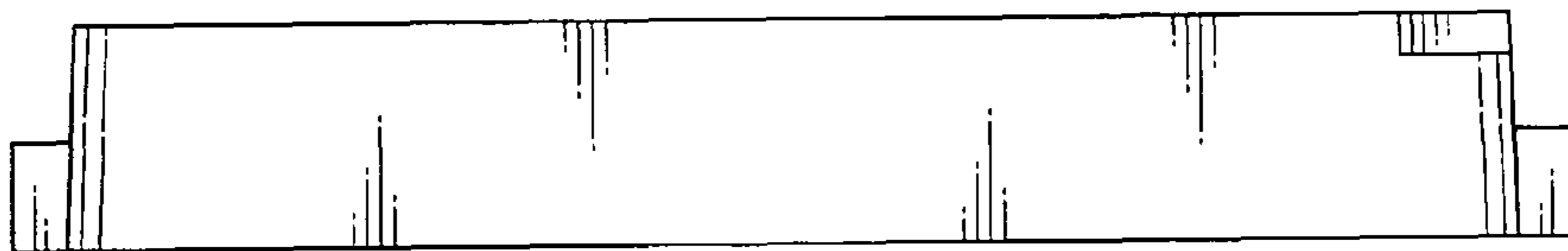


FIG.15

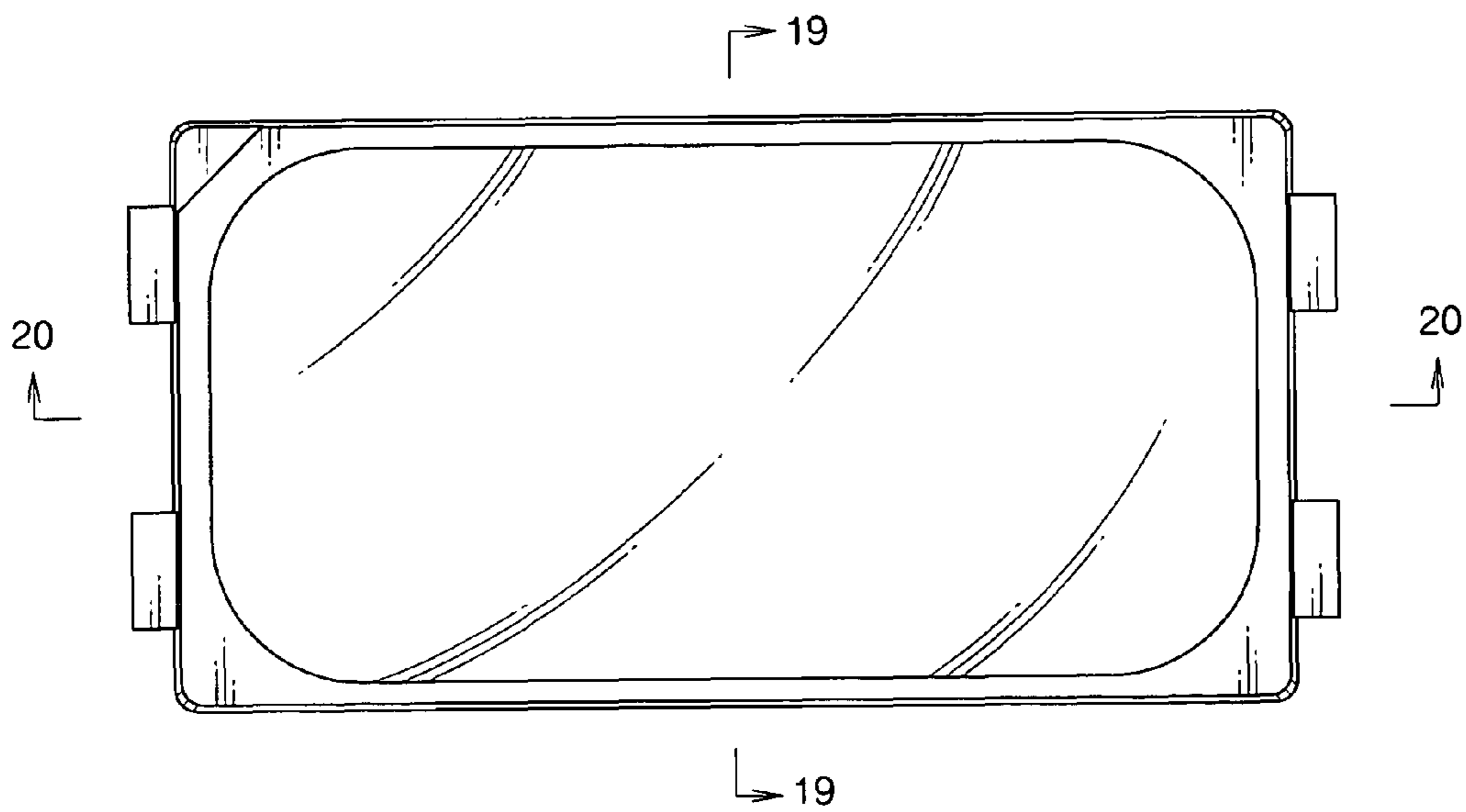


FIG.16

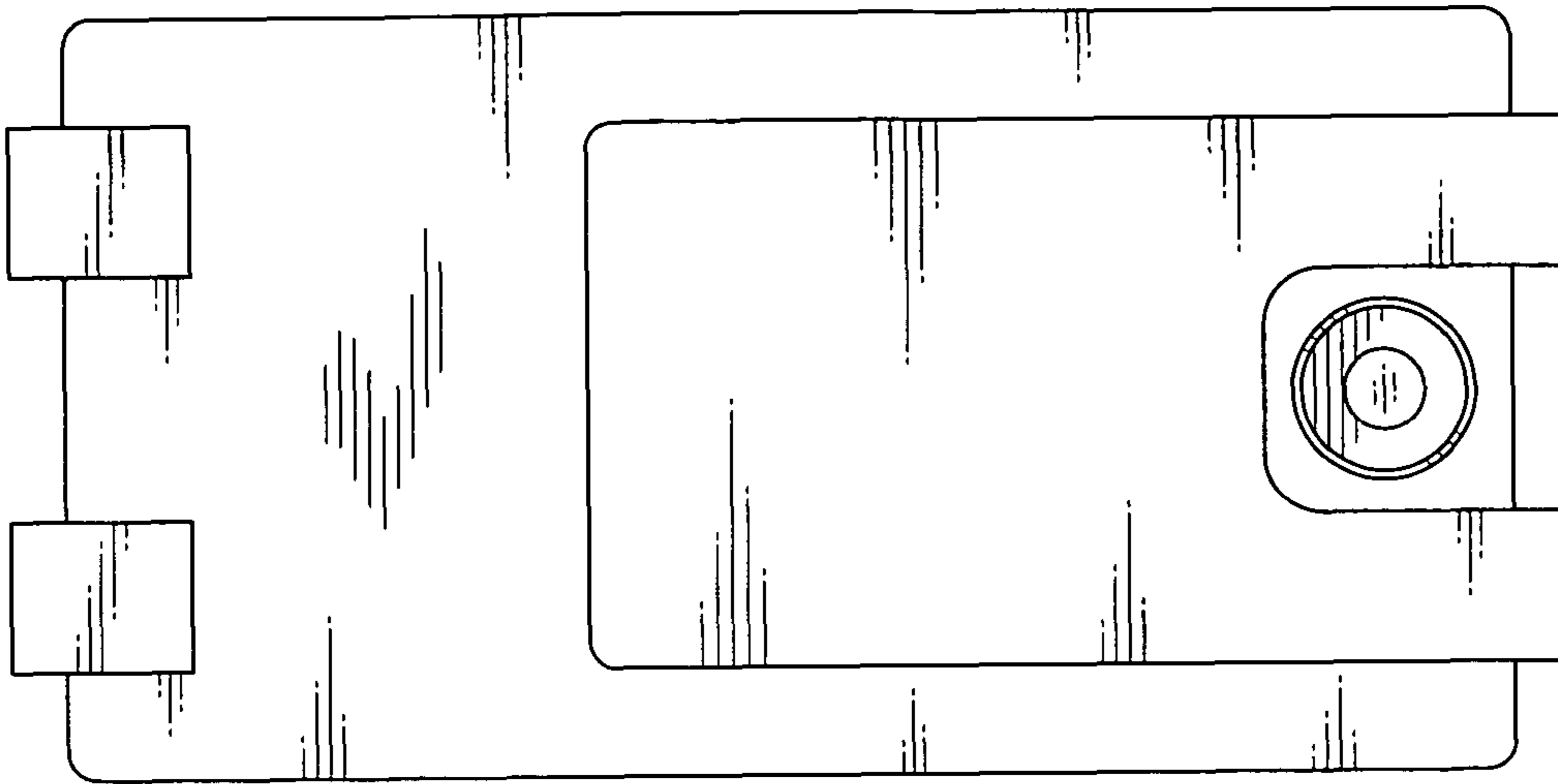


FIG.17

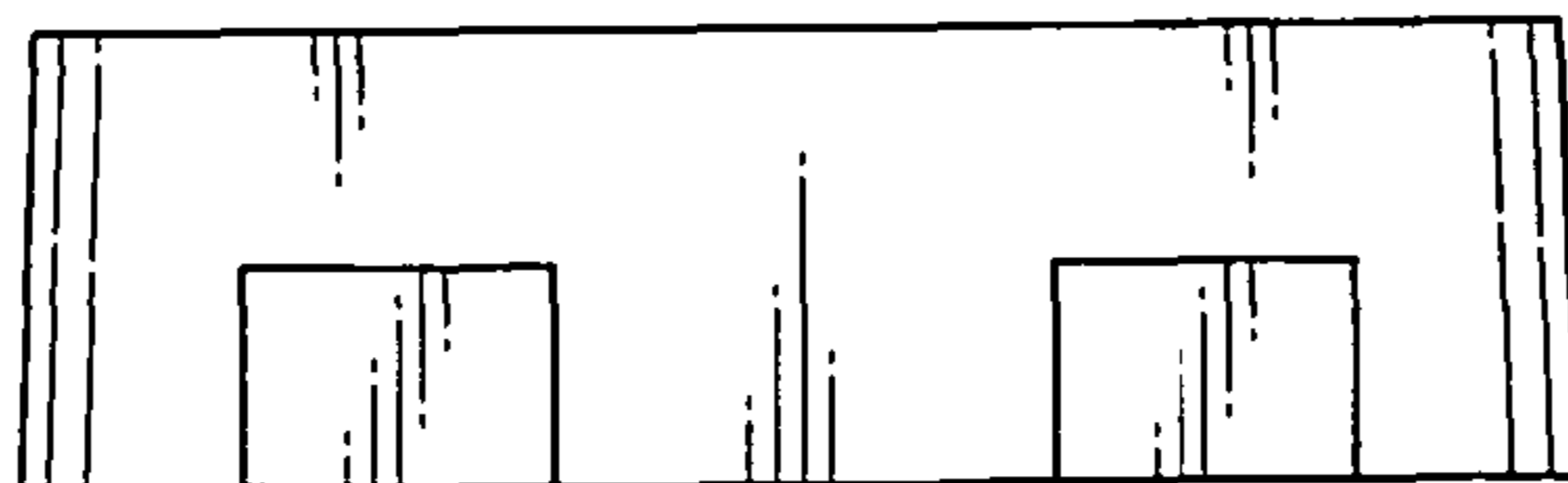


FIG.18

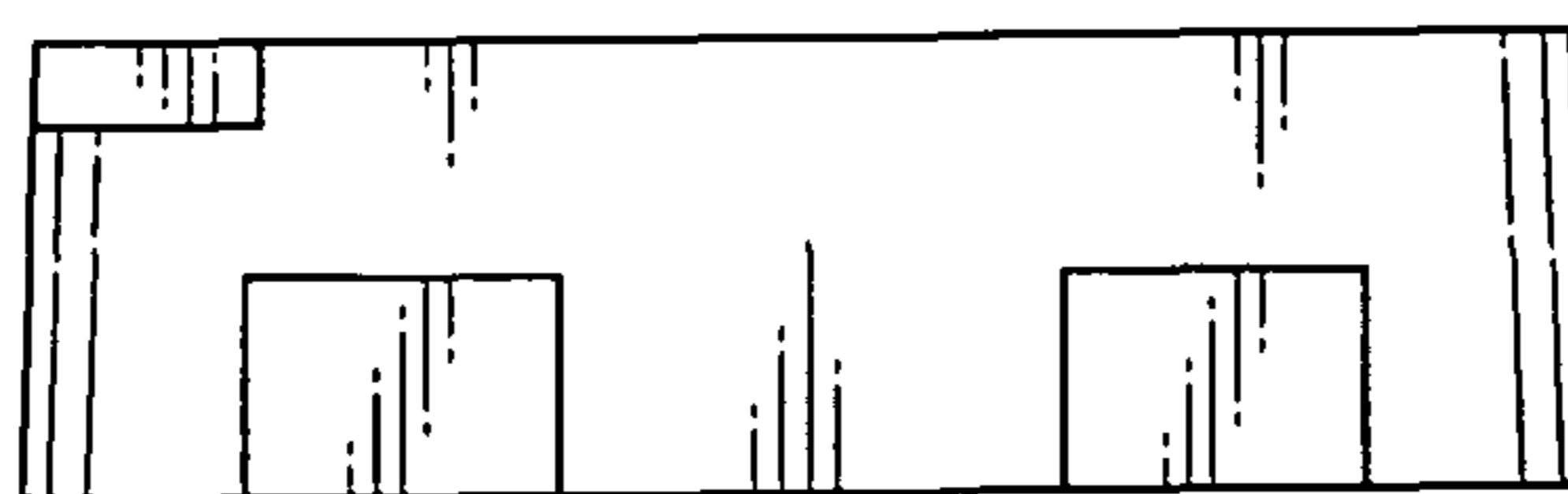


FIG.19

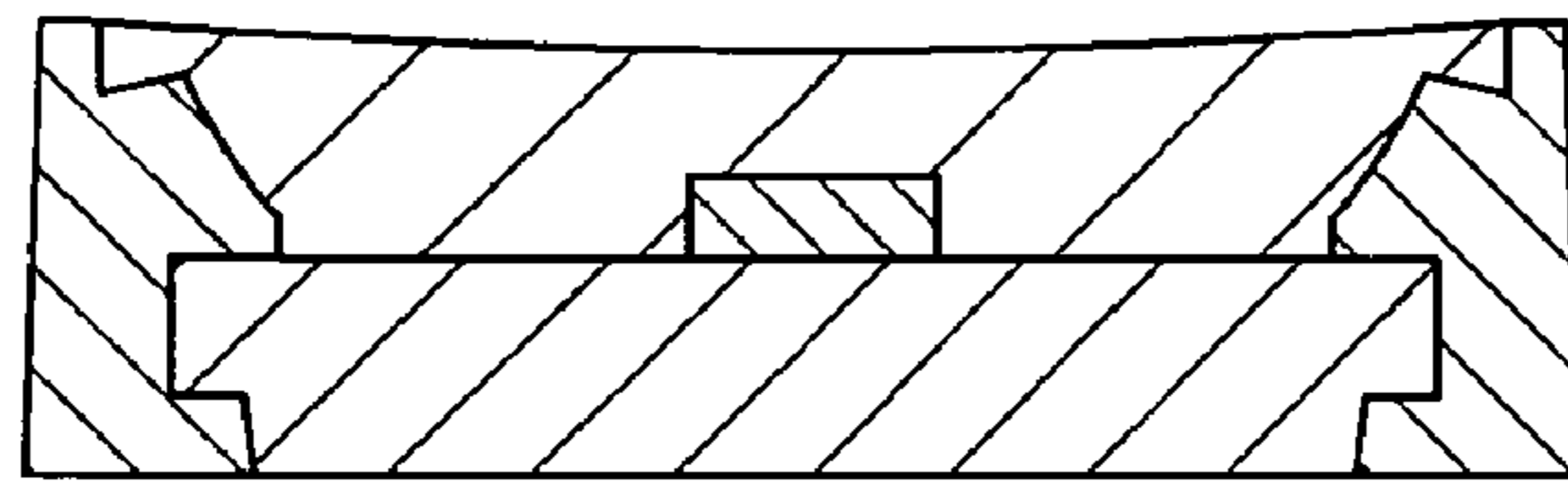


FIG.20

