



US00D640210S

(12) **United States Design Patent**  
**Kokubu et al.**

(10) **Patent No.:** **US D640,210 S**  
(45) **Date of Patent:** **\*\* Jun. 21, 2011**

(54) **LIGHT EMITTING DIODE**

(75) Inventors: **Hideki Kokubu**, Kiyosu (JP);  
**Toshimasa Hayashi**, Kiyosu (JP);  
**Yukihiro Demukai**, Kiyosu (JP)

(73) Assignee: **Toyoda Gosei Co., Ltd.**, Kiyosu-Shi,  
Aichi-Ken (JP)

(\*\*) Term: **14 Years**

(21) Appl. No.: **29/347,360**

(22) Filed: **Dec. 14, 2009**

(30) **Foreign Application Priority Data**

Jun. 15, 2009 (JP) ..... 2009-013485

(51) **LOC (9) Cl.** ..... **13-03**

(52) **U.S. Cl.** ..... **D13/180**

(58) **Field of Classification Search** ..... D13/180;  
D26/124, 120; D8/310, 312; D16/101; 362/308,  
362/326, 355, 555, 800; 257/79, 80, 81,  
257/88, 89, 95, 98, 99, 100, E33.058; 313/483,  
313/498, 500; 359/642, 648, 649, 708, 709,  
359/712, 718, 727  
See application file for complete search history.

(56) **References Cited**

**U.S. PATENT DOCUMENTS**

2,254,962	A *	9/1941	Bitner et al.	362/327
D137,085	S *	1/1944	Cressaty	D26/124
D243,394	S *	2/1977	Nerad et al.	D16/135
4,195,210	A *	3/1980	Pounds et al.	200/516
4,455,804	A *	6/1984	Francovitch	52/698
6,052,232	A *	4/2000	Iwaki	359/642
6,055,111	A *	4/2000	Nomura et al.	359/642
6,798,584	B2 *	9/2004	Matsumoto et al.	359/738
D512,694	S *	12/2005	Kim et al.	D13/180
D517,027	S *	3/2006	Suenaga	D13/180
7,181,378	B2 *	2/2007	Benitez et al.	703/2
D556,228	S *	11/2007	Lam	D16/101

7,349,161	B1 *	3/2008	Shyu et al.	359/642
D570,797	S *	6/2008	Song	D13/180
D573,113	S *	7/2008	Bando	D13/180
7,411,738	B1 *	8/2008	Chang	359/652
7,473,013	B2 *	1/2009	Shimada	362/327
7,547,115	B2 *	6/2009	Chou	362/244
7,618,163	B2 *	11/2009	Wilcox	362/336
7,658,515	B2 *	2/2010	Park et al.	362/311.02
7,799,586	B2 *	9/2010	Leung et al.	438/28
7,830,610	B2 *	11/2010	Nishizawa et al.	359/642
2002/0008918	A1 *	1/2002	Hirata et al.	359/649
2003/0026007	A1 *	2/2003	Yamamoto et al.	359/811
2006/0083003	A1 *	4/2006	Kim et al.	362/327
2007/0171535	A1 *	7/2007	Shyu et al.	359/642
2007/0284993	A1 *	12/2007	Kim et al.	313/483
2008/0279541	A1 *	11/2008	Montgomery et al.	396/62
2009/0168204	A1 *	7/2009	Nishizawa et al.	359/796
2009/0268471	A1 *	10/2009	Chen et al.	362/335

\* cited by examiner

*Primary Examiner* — Selina Sikder

(74) *Attorney, Agent, or Firm* — McGinn IP Law Group, PLLC

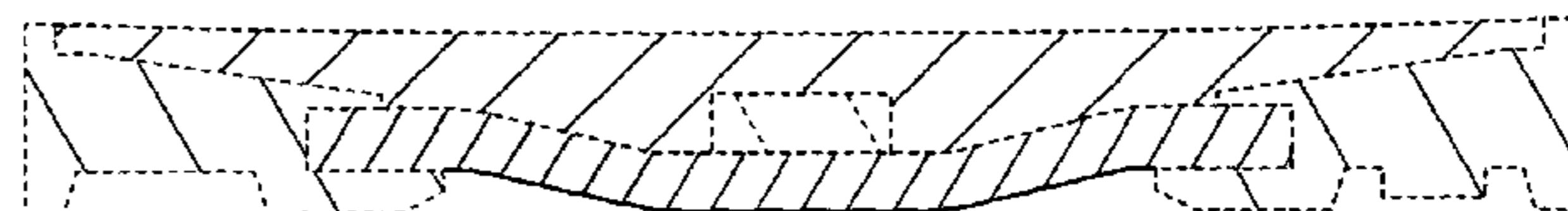
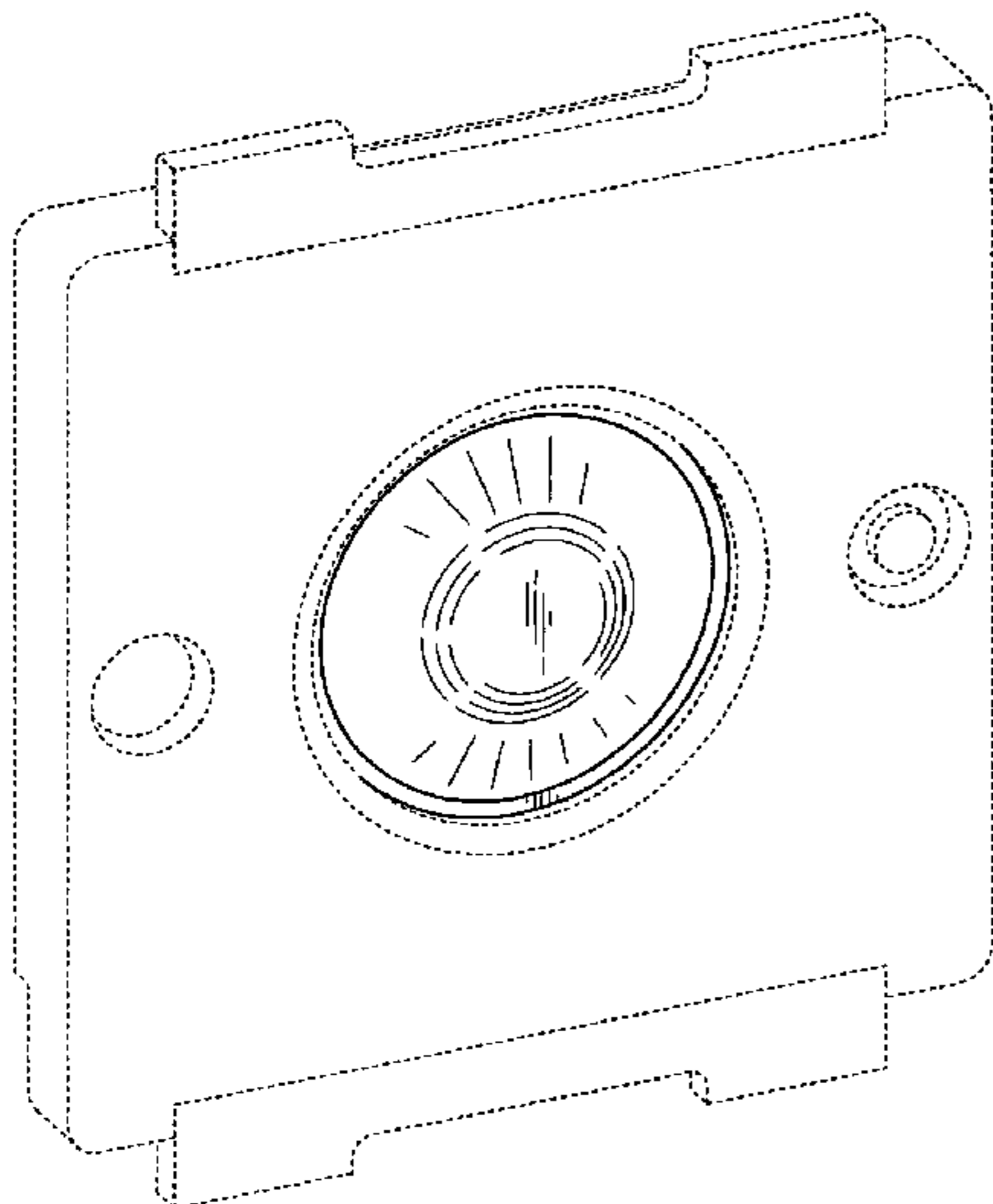
(57) **CLAIM**

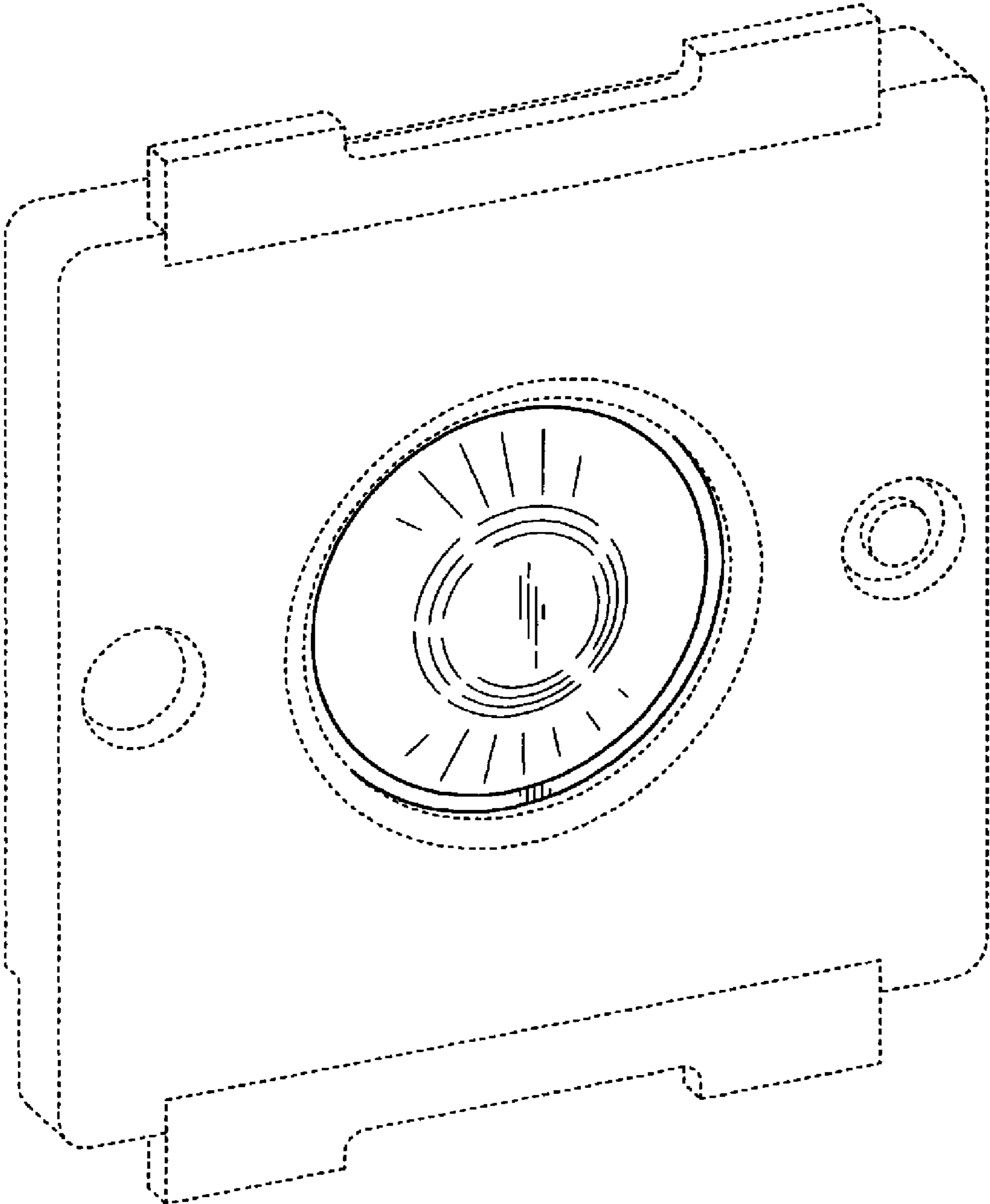
The ornamental design for a light emitting diode, as shown and described.

**DESCRIPTION**

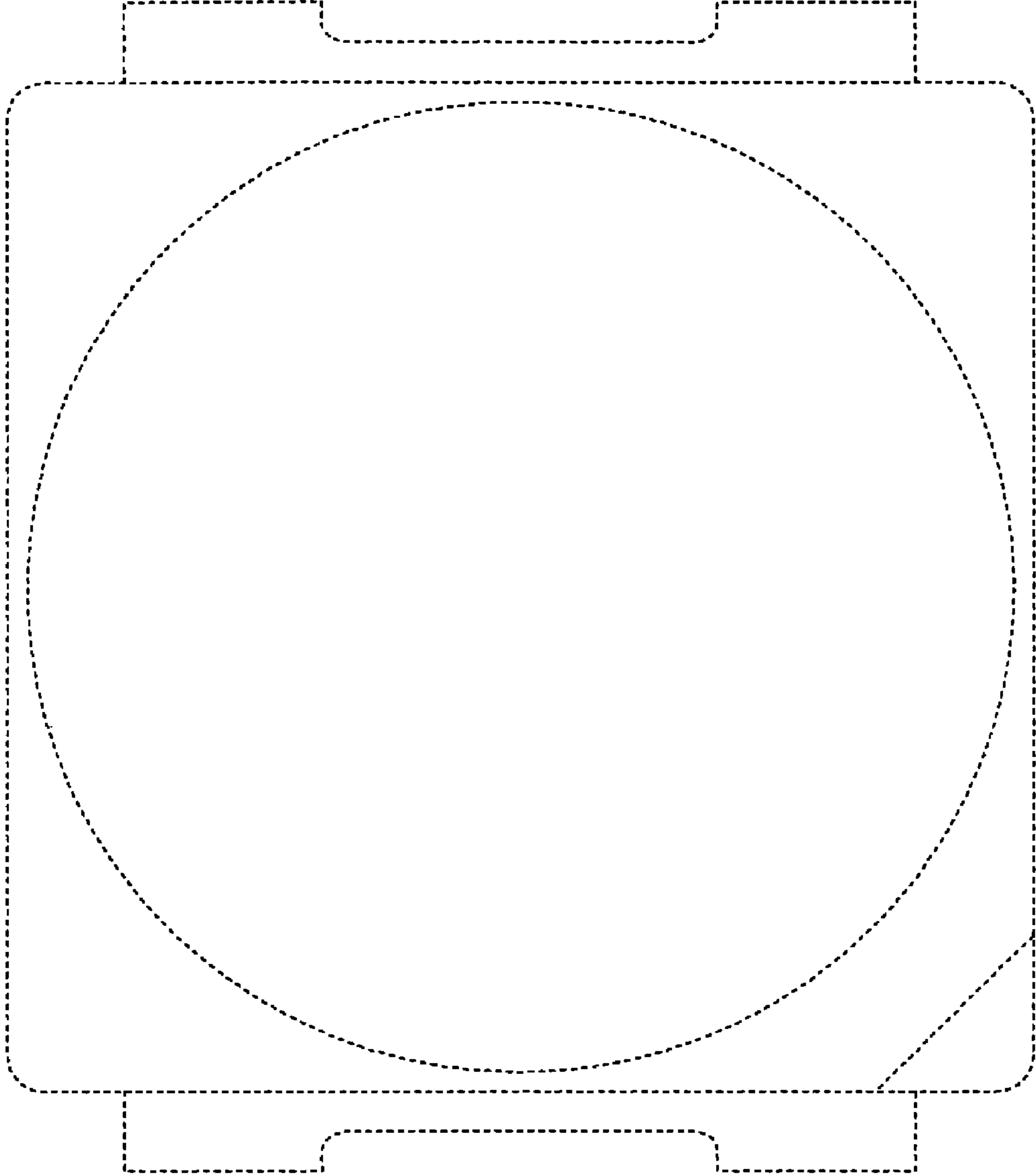
FIG. 1 is a perspective view of top, rear and right side of a light emitting diode showing our new design;  
FIG. 2 is a front view thereof;  
FIG. 3 is a rear view thereof;  
FIG. 4 is a top plan view thereof;  
FIG. 5 is a bottom view thereof;  
FIG. 6 is a left side view thereof;  
FIG. 7 is a right side view thereof; and,  
FIG. 8 is an end view at 8—8 shown in FIG. 3 thereof.  
The portions of the article in broken lines are shown for illustrative purposes only and form no part of the claimed design.

**1 Claim, 5 Drawing Sheets**





**FIG. 1**



**FIG. 2**

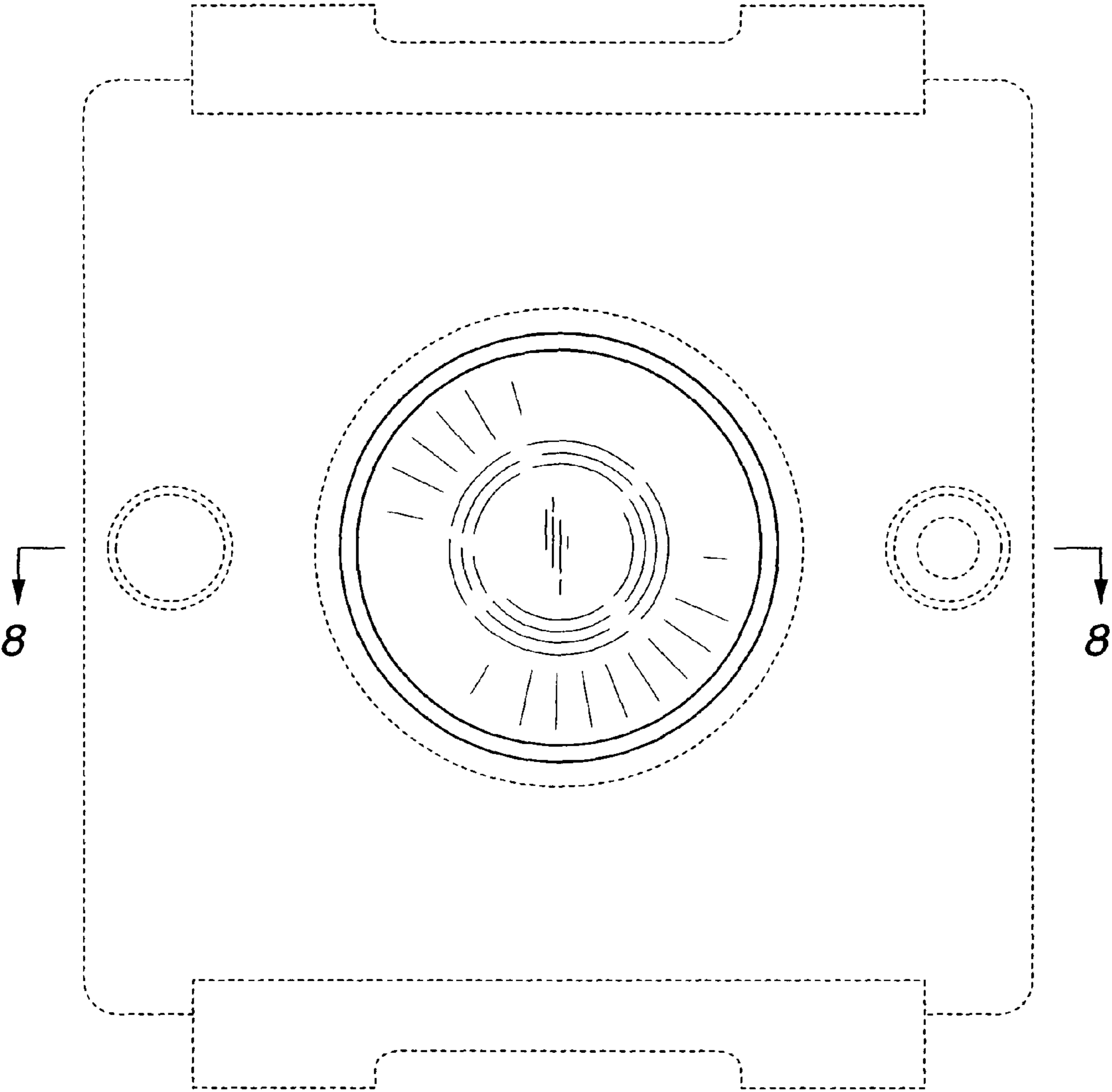
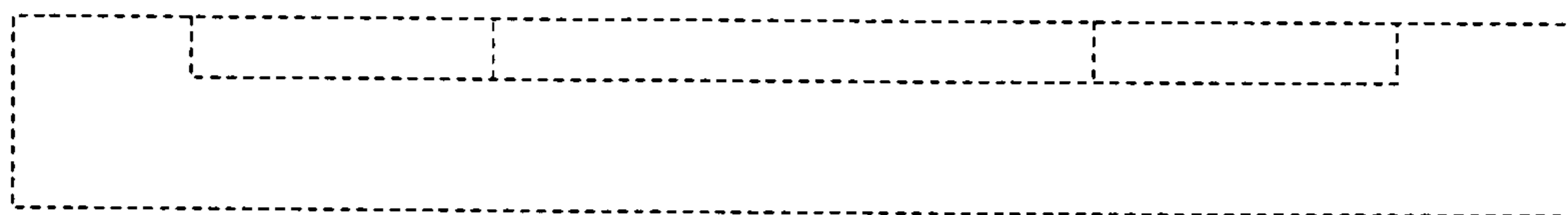
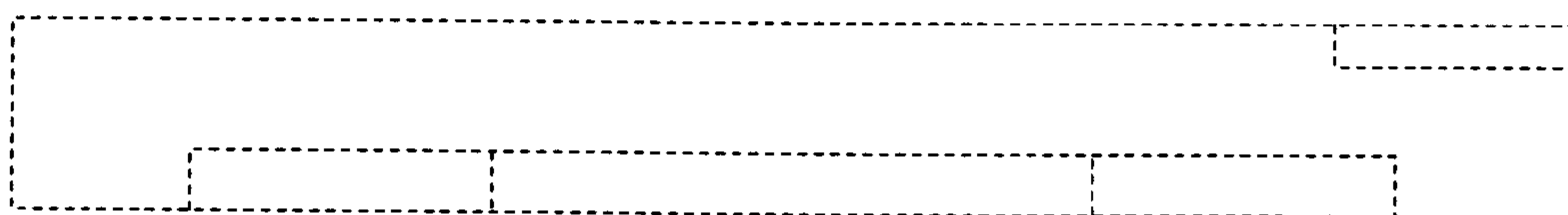


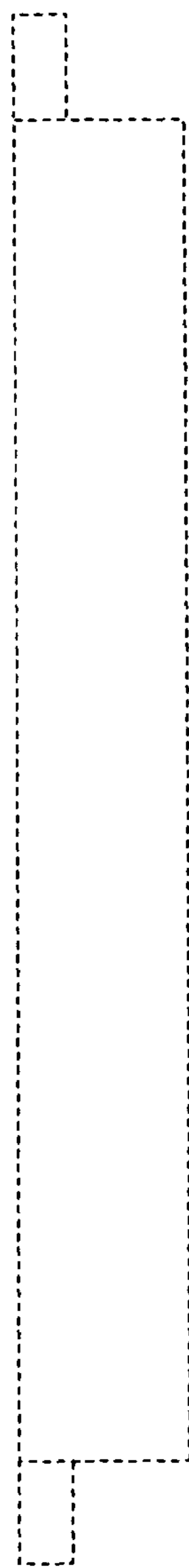
FIG. 3



*FIG. 4*



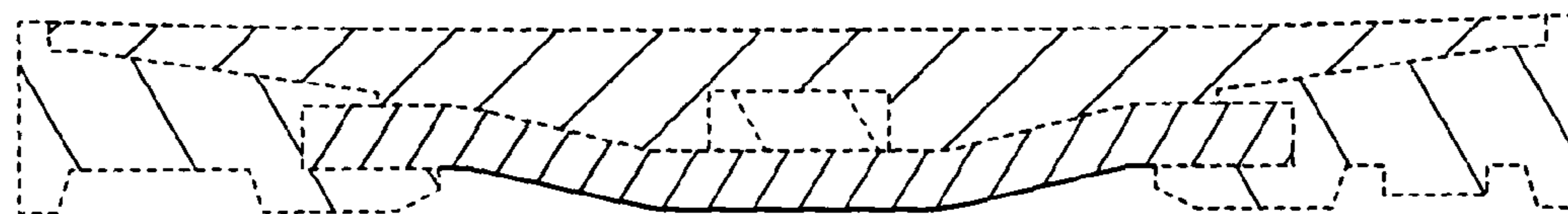
*FIG. 5*



**FIG. 6**



**FIG. 7**



**FIG. 8**