



US00D640209S

(12) **United States Design Patent**  
**Felegy, Jr. et al.**

(10) **Patent No.:** **US D640,209 S**  
(45) **Date of Patent:** **\*\* \*Jun. 21, 2011**

(54) **TABLETOP REMOTE LOAD CONTROL DEVICE**

(75) Inventors: **Edward M. Felegy, Jr.**, Macungie, PA (US); **David William Petrillo**, Bethlehem, PA (US); **Gregory M. Snyder**, Germansville, PA (US); **Gregory Altonen**, Easton, PA (US); **Elliot G. Jacoby**, Glenside, PA (US); **Noel Mayo**, Philadelphia, PA (US); **Joel S. Spira**, Coopersburg, PA (US)

D453,742 S 2/2002 Butler et al.  
D461,782 S 8/2002 Butler et al.  
D462,332 S 9/2002 Mayo et al.  
D464,635 S 10/2002 Oyama, Jr. et al.  
D490,780 S 6/2004 Mayo et al.  
D505,922 S 6/2005 Mayo et al.  
D507,244 S 7/2005 Mayo et al.  
D518,447 S 4/2006 Spira  
D527,711 S 9/2006 Spira et al.  
D538,756 S 3/2007 Mayo et al.

(Continued)

(73) Assignee: **Lutron Electronics Co., Inc.**, Coopersburg, PA (US)

(\* ) Notice: This patent is subject to a terminal disclaimer.

(\*\*) Term: **14 Years**

(21) Appl. No.: **29/360,752**

(22) Filed: **Apr. 30, 2010**

(51) **LOC (9) Cl.** ..... **14-03**

(52) **U.S. Cl.** ..... **D13/168**

(58) **Field of Classification Search** ..... D13/168;  
D10/104, 106; D14/218, 247; 340/825.22,  
340/825.24, 825.25, 825.31, 825.36, 825.69,  
340/825.72; 341/176; 455/352; 345/156,  
345/169; 348/734

See application file for complete search history.

(56) **References Cited**

**U.S. PATENT DOCUMENTS**

D320,786 S 10/1991 Darnell et al.  
D323,488 S 1/1992 Darnell et al.  
D370,663 S 6/1996 Swain et al.  
D378,814 S 4/1997 Adams et al.  
D395,037 S 6/1998 Mayo et al.  
D397,996 S 9/1998 Smith  
D436,579 S 1/2001 Mayo et al.  
D437,585 S 2/2001 Mayo et al.  
D450,043 S 11/2001 Mosebrook

**OTHER PUBLICATIONS**

U.S. Appl. No. 29/360,748, filed Apr. 30, 2010, Felegy, Jr. et al.

(Continued)

*Primary Examiner* — Selina Sikder

(74) *Attorney, Agent, or Firm* — Mark E. Rose; Philip N. Smith; Bridget L. McDonough

(57) **CLAIM**

We claim the ornamental design for a tabletop remote load control device, as shown and described.

**DESCRIPTION**

FIG. 1 is a perspective view of a tabletop remote load control device according to a first embodiment of our new design.

FIG. 2 is a front view thereof.

FIG. 3 is a left side view thereof.

FIG. 4 is a right side view thereof.

FIG. 5 is a top view thereof.

FIG. 6 is a bottom view thereof.

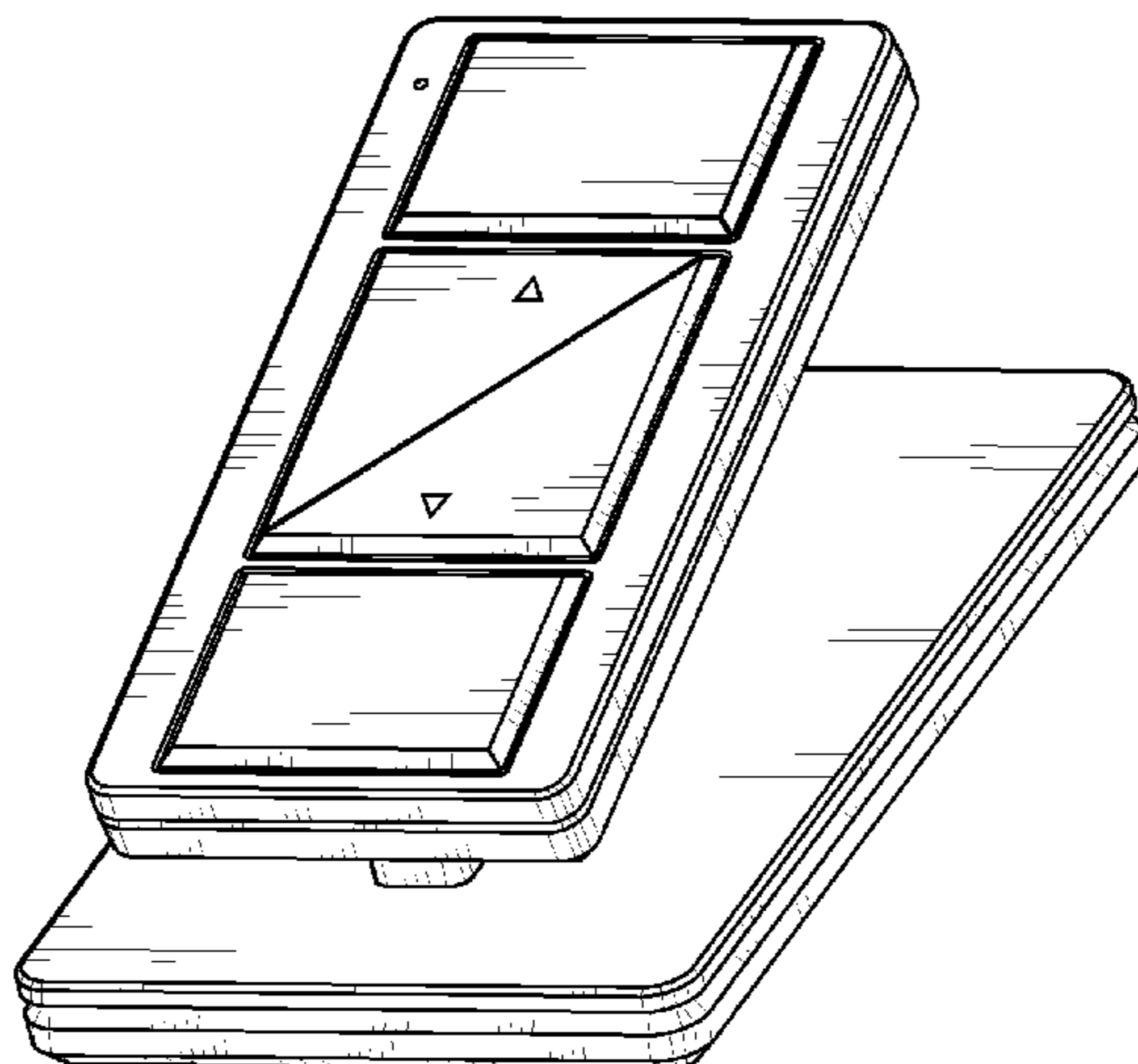
FIG. 7 is a perspective view of a tabletop remote load control device according to a second embodiment of our new design.

FIG. 8 is a front view thereof; and,

FIG. 9 is a bottom view thereof, the left side, right side, and top views, respectively, of the second embodiment being identical to the left side, right side, and top views of the first embodiment.

The rear views form no part of the design and are omitted.

**1 Claim, 7 Drawing Sheets**



# US D640,209 S

Page 2

## U.S. PATENT DOCUMENTS

D539,238 S 3/2007 Mayo et al.  
D546,280 S 7/2007 Marchetto et al.  
D553,123 S 10/2007 Solland  
D554,107 S 10/2007 Calco et al.  
D557,259 S 12/2007 Hirsch  
D592,606 S 5/2009 Felegy, Jr. et al.  
D592,607 S \* 5/2009 Felegy et al. .... D13/168  
D592,608 S 5/2009 Felegy, Jr. et al.  
D592,609 S 5/2009 Felegy, Jr. et al.  
D592,611 S 5/2009 Altonen et al.  
D596,143 S 7/2009 Felegy, Jr. et al.  
D604,702 S 11/2009 Felegy, Jr. et al.  
D606,030 S 12/2009 Felegy, Jr. et al.  
D614,146 S 4/2010 Felegy, Jr. et al.  
D614,147 S 4/2010 Snyder et al.  
D614,589 S 4/2010 Altonen et al.  
D615,046 S 5/2010 Felegy, Jr. et al.  
D616,835 S 6/2010 Felegy, Jr. et al.  
D616,836 S 6/2010 Felegy, Jr. et al.  
D619,105 S 7/2010 Felegy, Jr. et al.  
D619,106 S 7/2010 Felegy, Jr. et al.  
D619,544 S 7/2010 Petrillo et al.

D619,971 S 7/2010 Felegy, Jr. et al.  
D619,972 S 7/2010 Felegy, Jr. et al.  
2009/0251352 A1\* 10/2009 Altonen et al. .... 341/176

## OTHER PUBLICATIONS

U.S. Appl. No. 29/360,753, filed Apr. 30, 2010, Altonen et al.  
U.S. Appl. No. 29/360,755, filed Apr. 30, 2010, Felegy, Jr. et al.  
U.S. Appl. No. 29/360,782, filed Apr. 30, 2010, Lind, III et al.  
U.S. Appl. No. 29/360,784, filed Apr. 30, 2010, Lind, III et al.  
U.S. Appl. No. 29/363,118, filed Jun. 4, 2010, Blair et al.  
U.S. Appl. No. 29/363,120, filed Jun. 4, 2010, Blair et al.  
Lutron Electronics Co., Inc., RadioRA Visor Control Transmitter Specification Submittal Sheet, Jan. 2002, 2 pages.  
Lutron Electronics Co., Inc., RadioRA Visor Control Transmitter Installation Instruction Sheet, Nov. 2001, 2 pages.  
Lutron Electronics Co., Inc., Aurora Wireless Lighting Control Brochure, Nov. 2006, 2 pages.  
Lutron Electronics Co., Inc., Maestro Wireless Remote Lighting Control Brochure, Sep. 2007, 2 pages.

\* cited by examiner

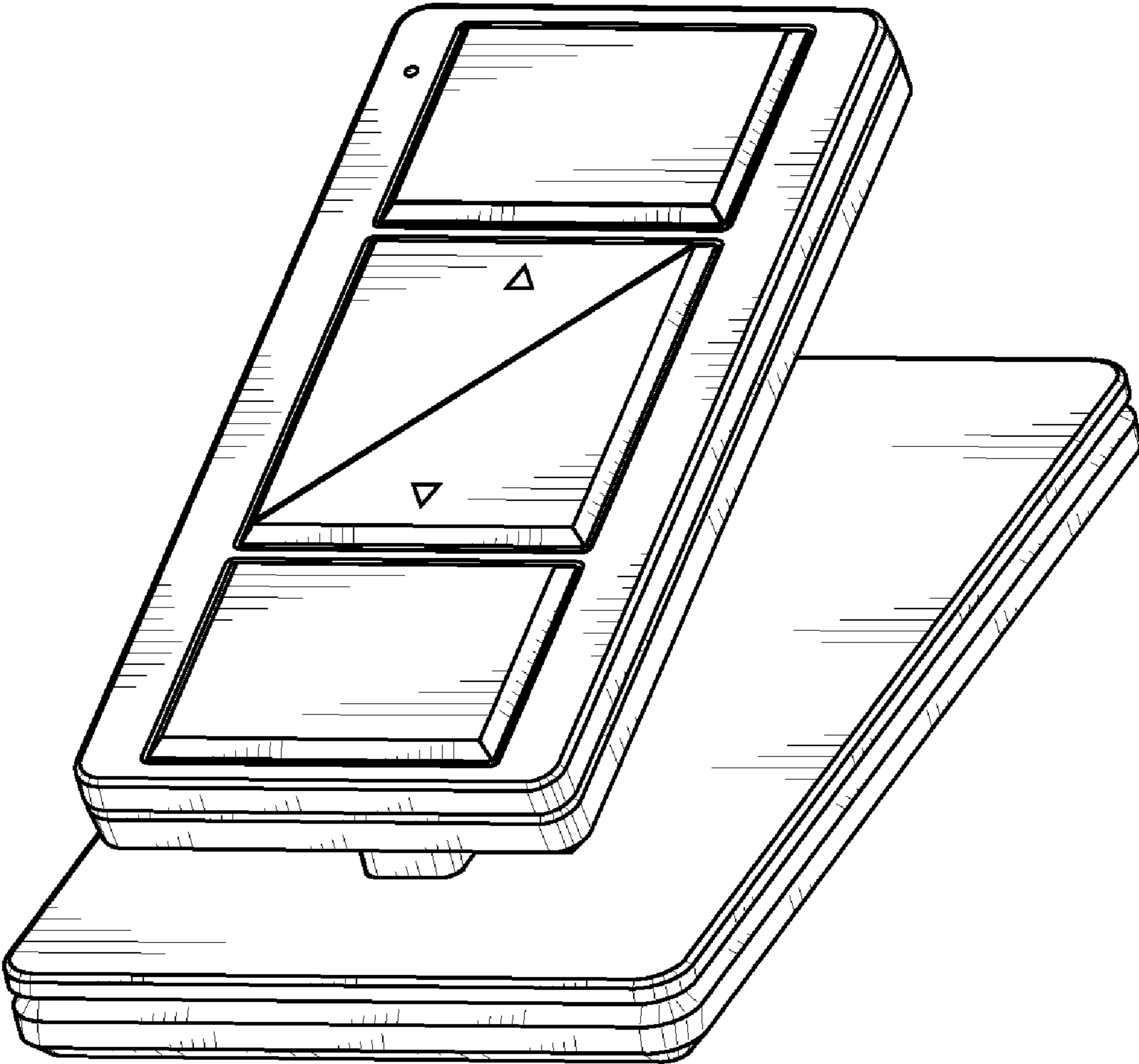


Fig. 1

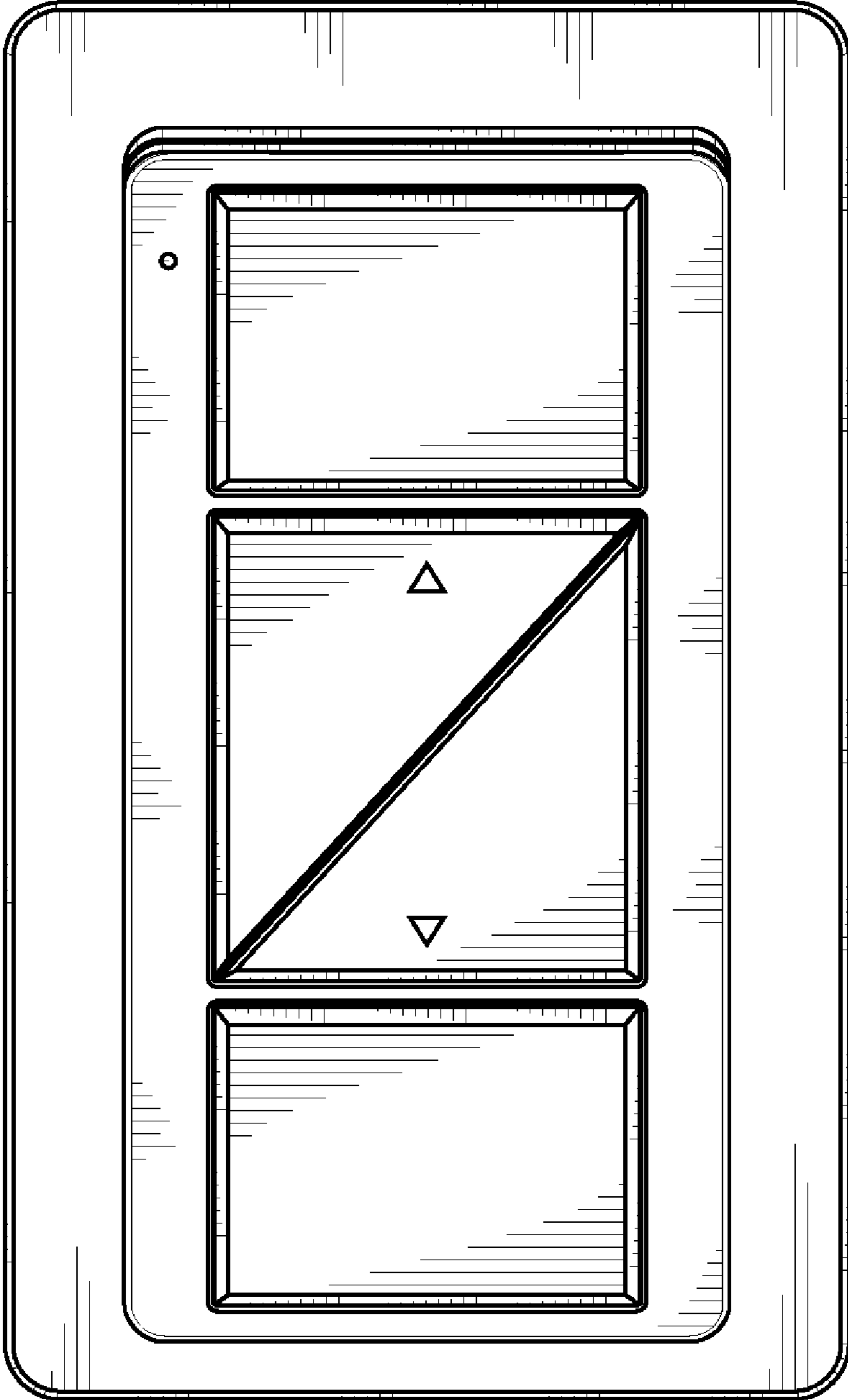


Fig. 2

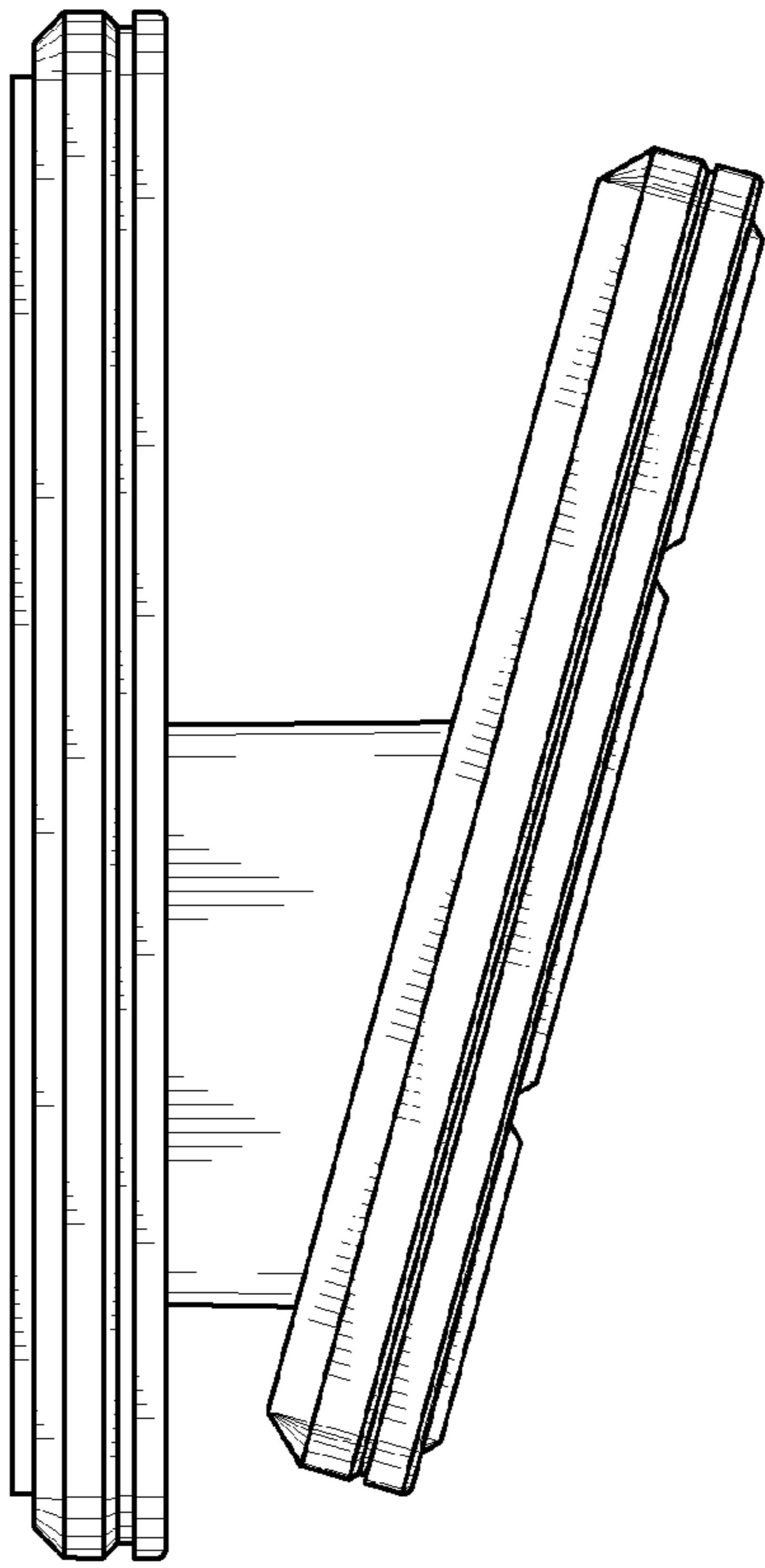


Fig. 3

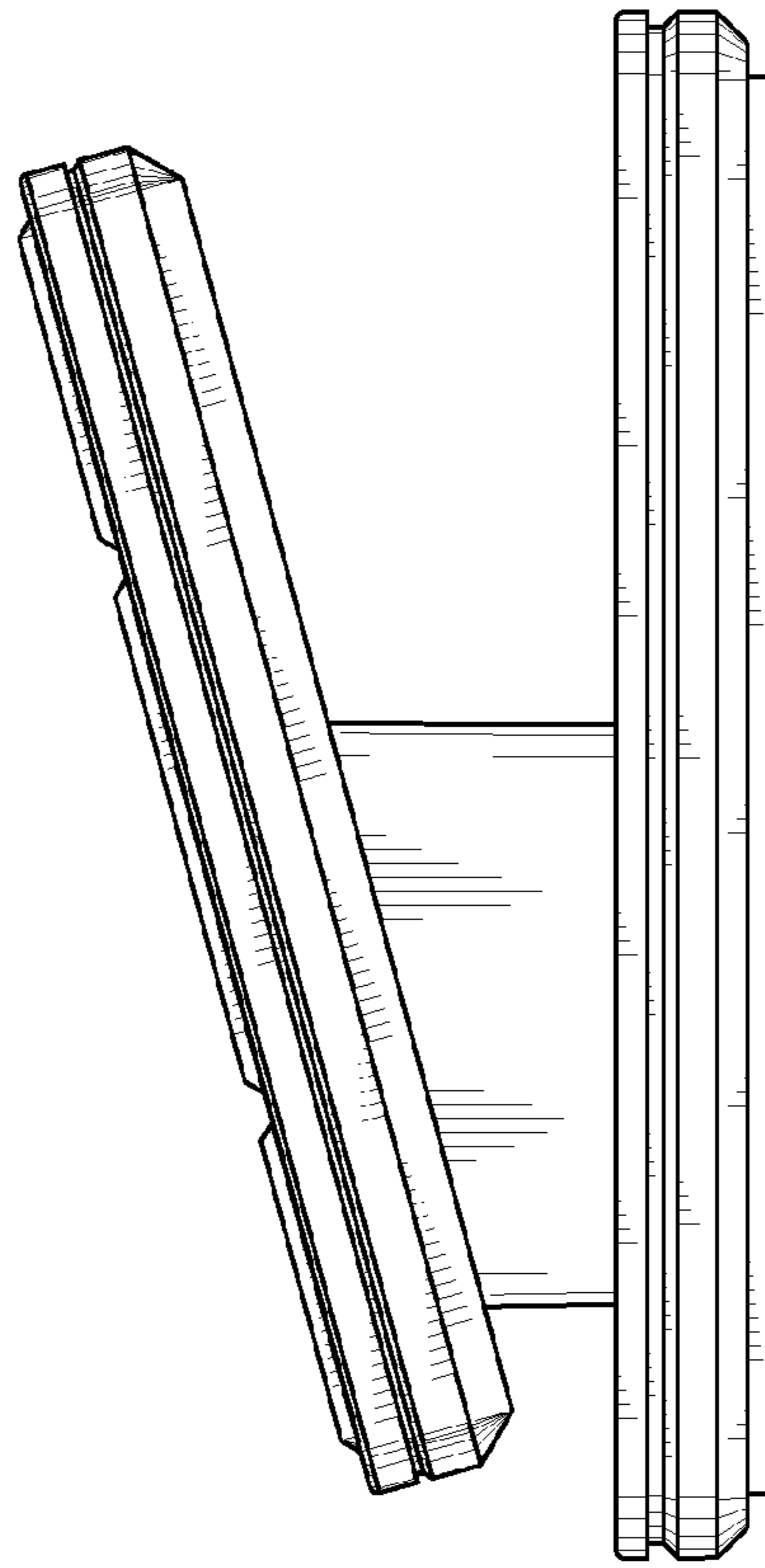


Fig. 4

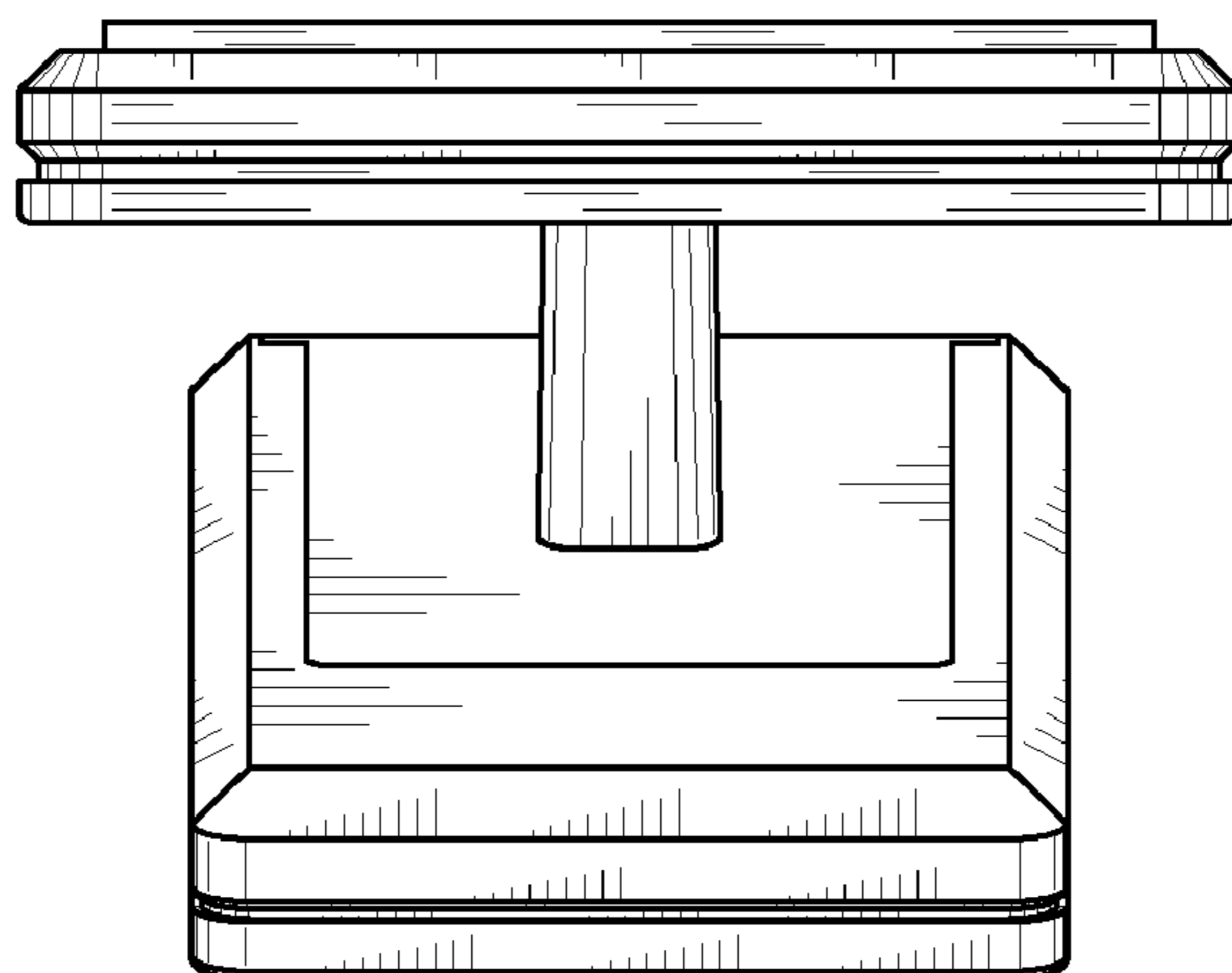


Fig. 5

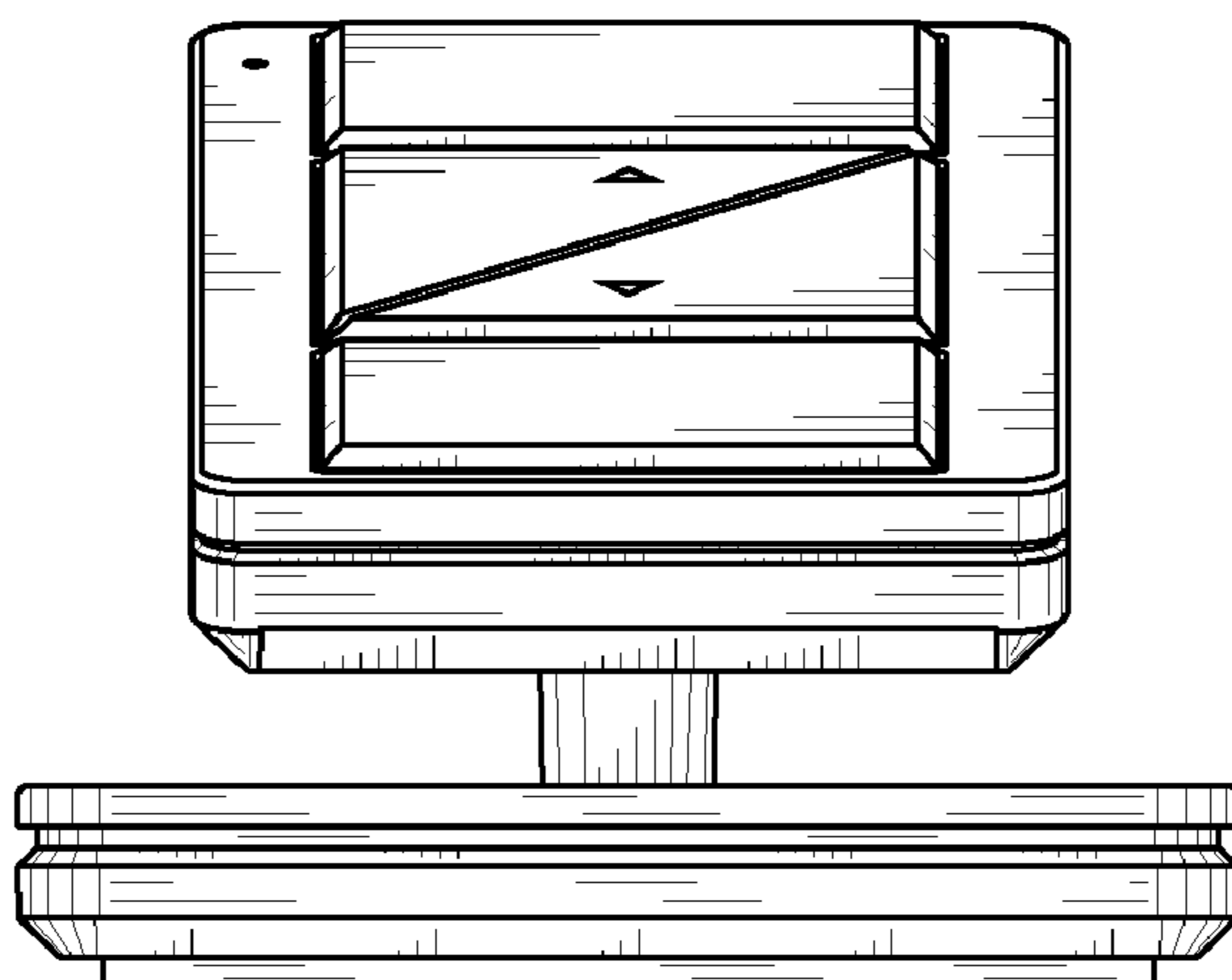


Fig. 6

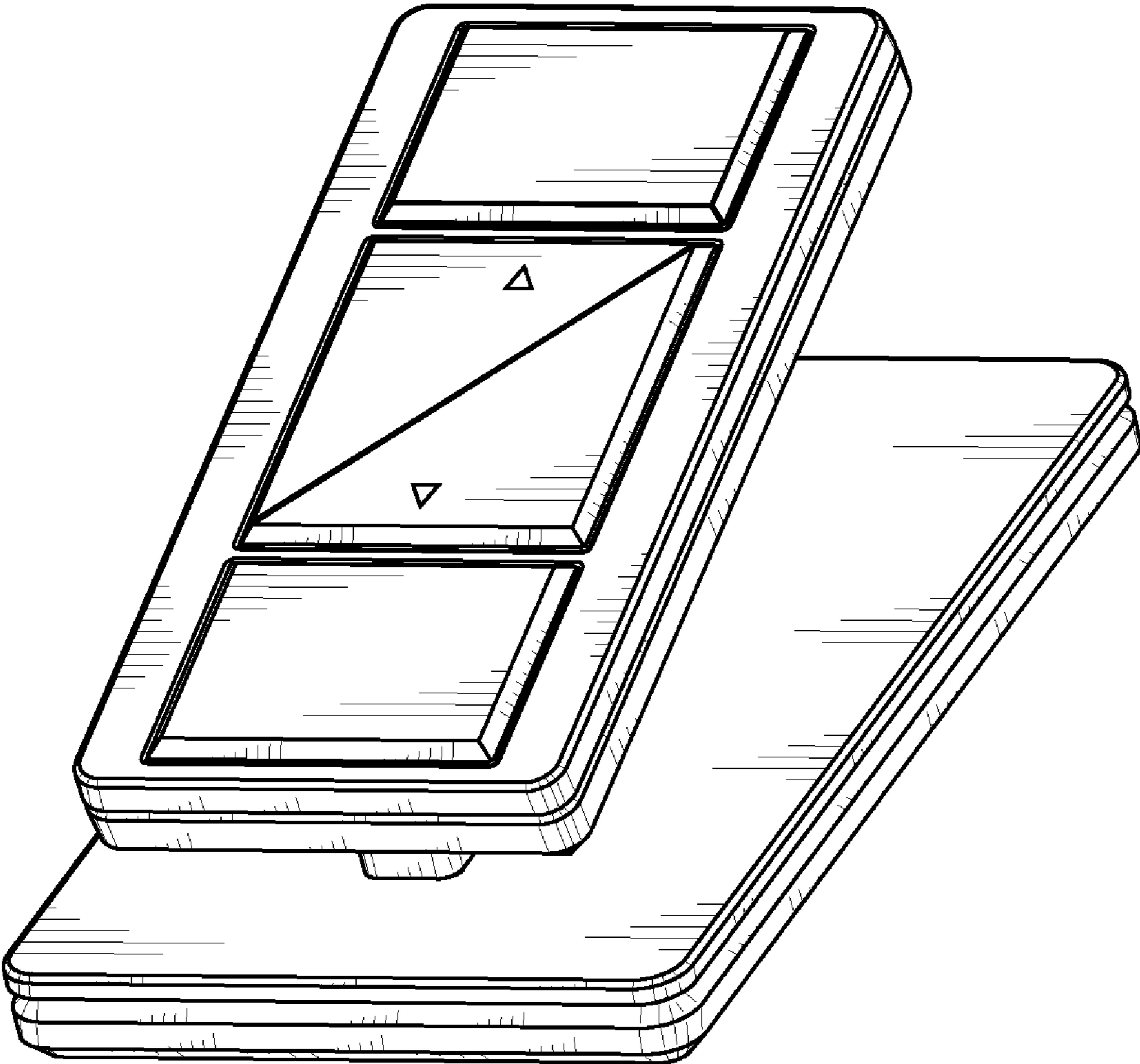


Fig. 7

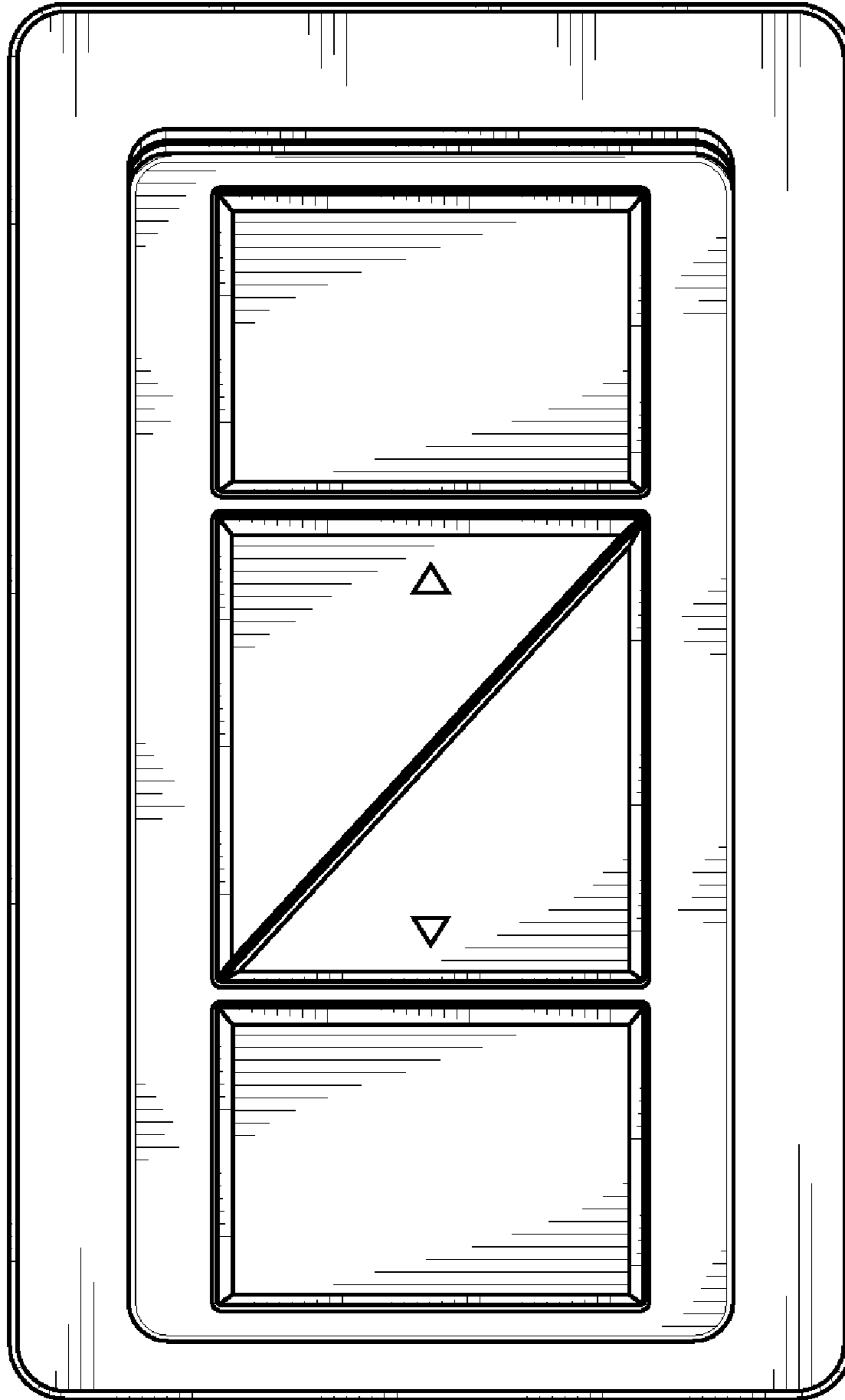


Fig. 8



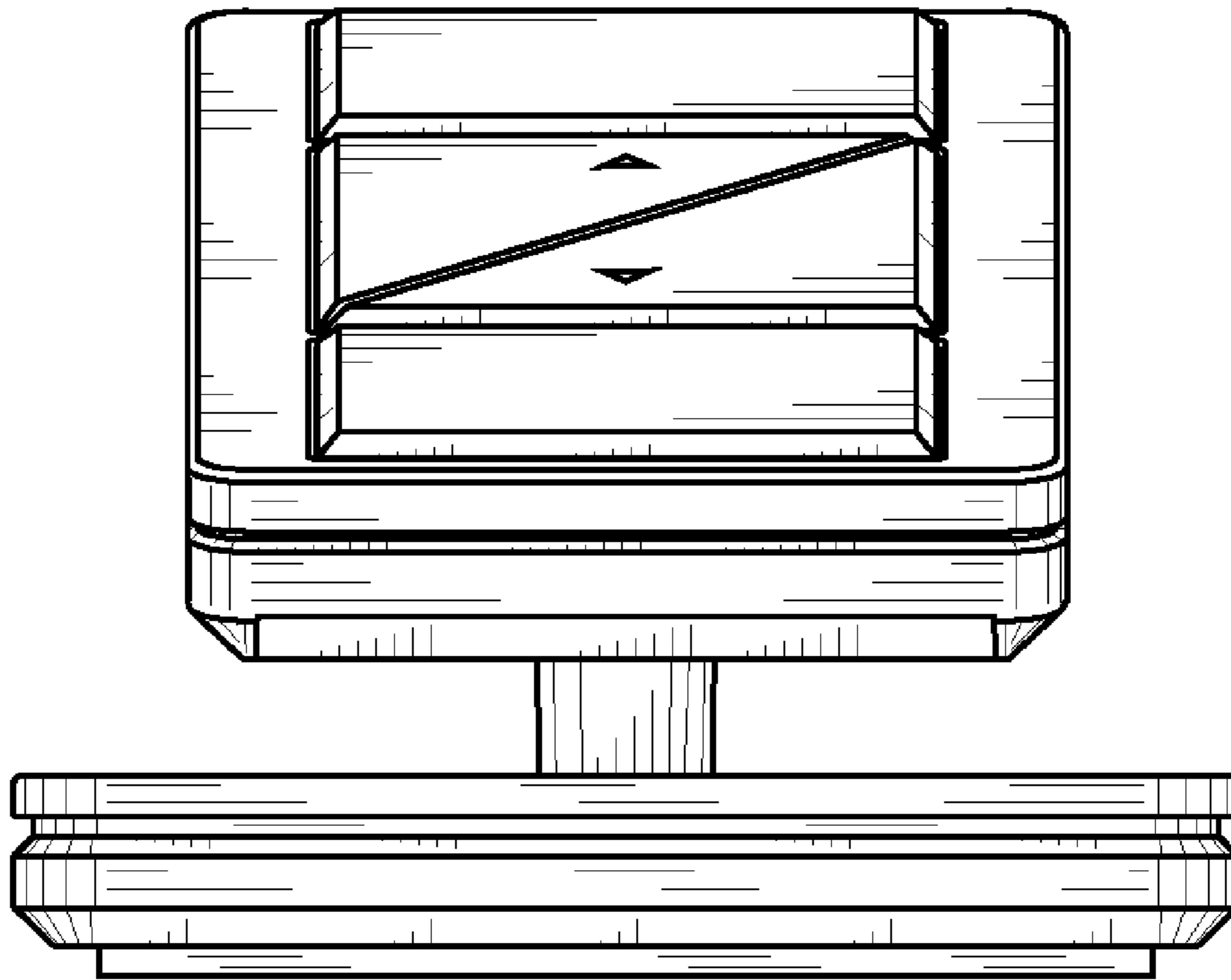


Fig. 9