

US00D640205S

(12) **United States Design Patent**
Stirling

(10) **Patent No.:** **US D640,205 S**

(45) **Date of Patent:** **** Jun. 21, 2011**

(54) **FEMALE CONNECTOR**

(75) **Inventor:** **Andrew Christopher Stirling**, Phoenix, AZ (US)

(73) **Assignee:** **iGo, Inc.**, Scottsdale, AZ (US)

(**) **Term:** **14 Years**

(21) **Appl. No.:** **29/341,576**

(22) **Filed:** **Aug. 7, 2009**

Related U.S. Application Data

(63) Continuation of application No. 29/265,439, filed on Aug. 31, 2006, now Pat. No. Des. 601,508, and a continuation of application No. 29/265,441, filed on Aug. 31, 2006, now Pat. No. Des. 597,961.

(51) **LOC (9) Cl.** **13-03**

(52) **U.S. Cl.** **D13/154**

(58) **Field of Classification Search** D13/147, D13/154, 184, 199; 439/214, 262, 344, 347, 439/350, 353, 357, 378, 380, 489, 587, 595, 439/660, 680, 682, 685, 752, 892

See application file for complete search history.

(56) **References Cited**

U.S. PATENT DOCUMENTS

D506,981 S *	7/2005	Lord	D13/147
D507,536 S *	7/2005	Lord	D13/147
D507,537 S *	7/2005	Lord	D13/147
D508,022 S *	8/2005	Lord	D13/147
D508,678 S *	8/2005	Lord	D13/147
D510,070 S *	9/2005	Lord	D13/147
6,976,885 B2 *	12/2005	Lord	439/680

D517,012 S *	3/2006	Lord	D13/147
D530,281 S *	10/2006	Lord	D13/147
D597,961 S *	8/2009	Stirling	D13/154
D598,393 S *	8/2009	Stirling	D13/154
D598,394 S *	8/2009	Stirling	D13/154
D601,508 S *	10/2009	Stirling	D13/154
2005/0197018 A1 *	9/2005	Lord	439/680
2007/0099519 A1 *	5/2007	Lord	439/680
2010/0273361 A1 *	10/2010	Lord	439/680

* cited by examiner

Primary Examiner — Daniel D Bui

(74) *Attorney, Agent, or Firm* — Snell & Wilmer L.L.P.

(57) **CLAIM**

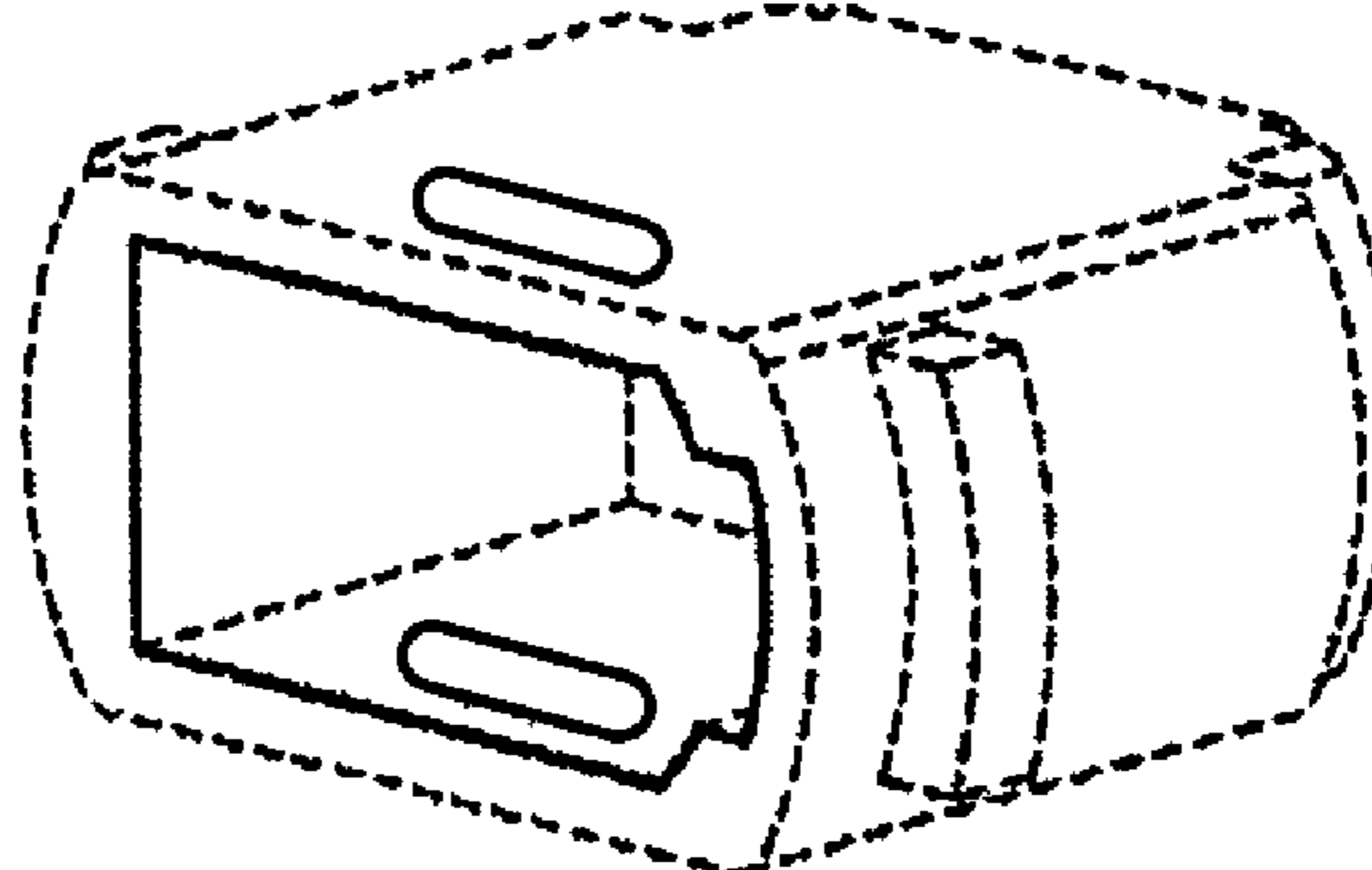
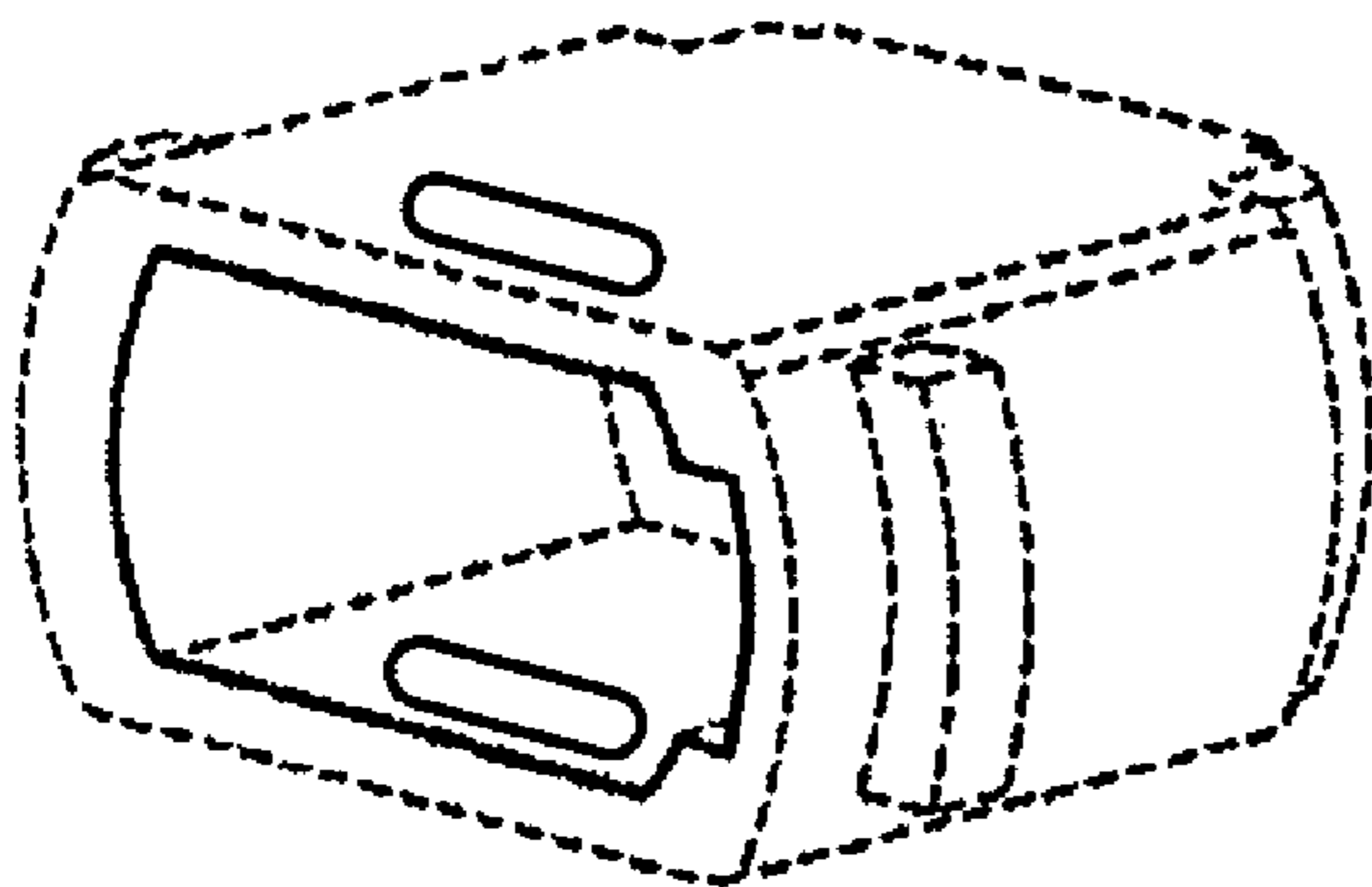
The ornamental design for the female connector, as shown and described.

DESCRIPTION

FIG. 1 is a perspective view of a first embodiment of a female connector, showing my new design; FIG. 2 is a front elevation view thereof; FIG. 3 is a top plan view thereof; FIG. 4 is a bottom plan view thereof; FIG. 5 is a right side view thereof; FIG. 6 is a left side view thereof; FIG. 7 is a perspective view of a second embodiment of a female connector, showing my new design; FIG. 8 is a front elevation view thereof; FIG. 9 is a top plan view thereof; FIG. 10 is a bottom plan view thereof; FIG. 11 is a right side view thereof; and, FIG. 12 is a left side view thereof.

The broken line shown in the drawing views is unclaimed subject matter and forms no part of the claimed design.

1 Claim, 2 Drawing Sheets



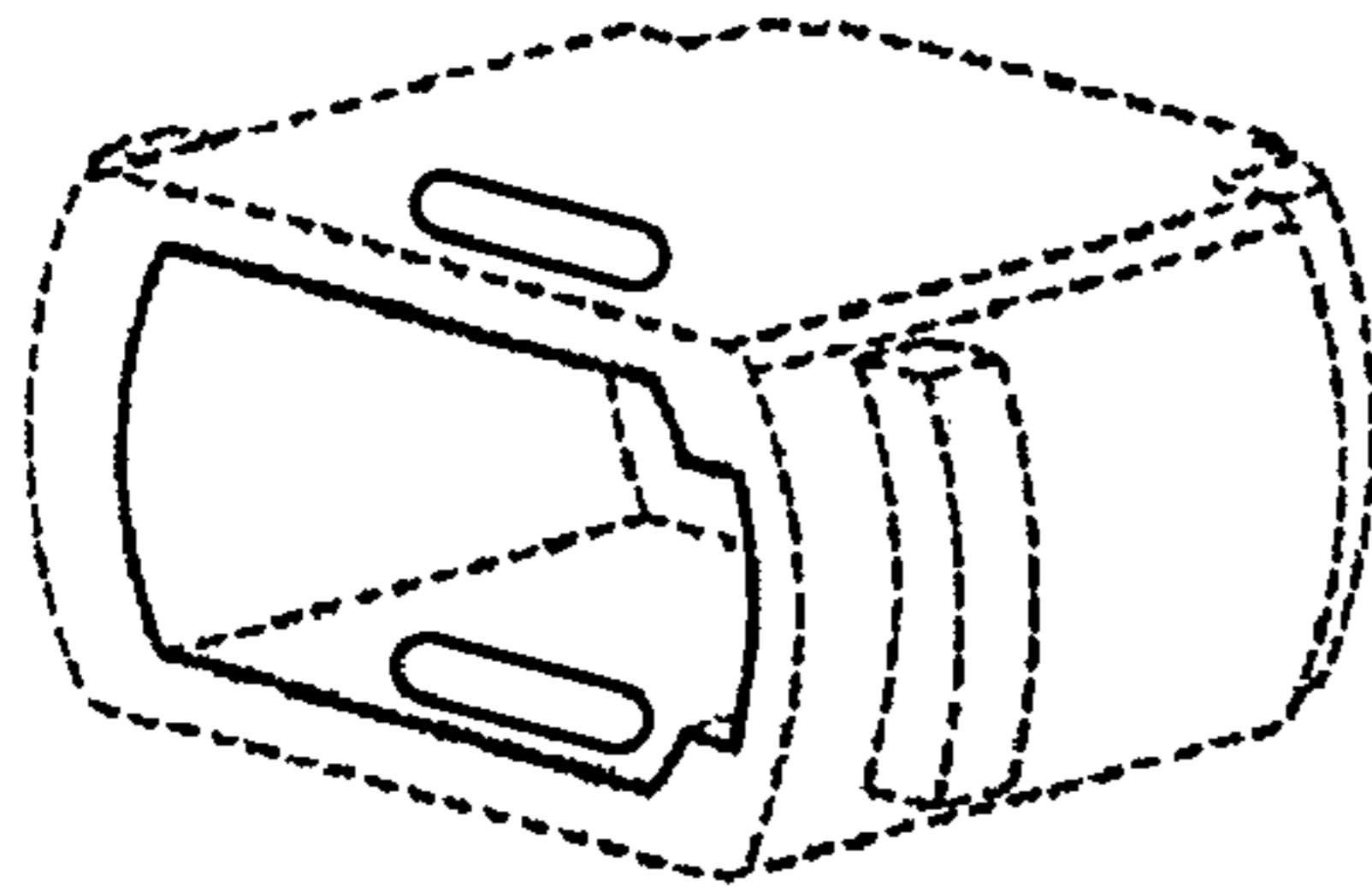


Figure 1

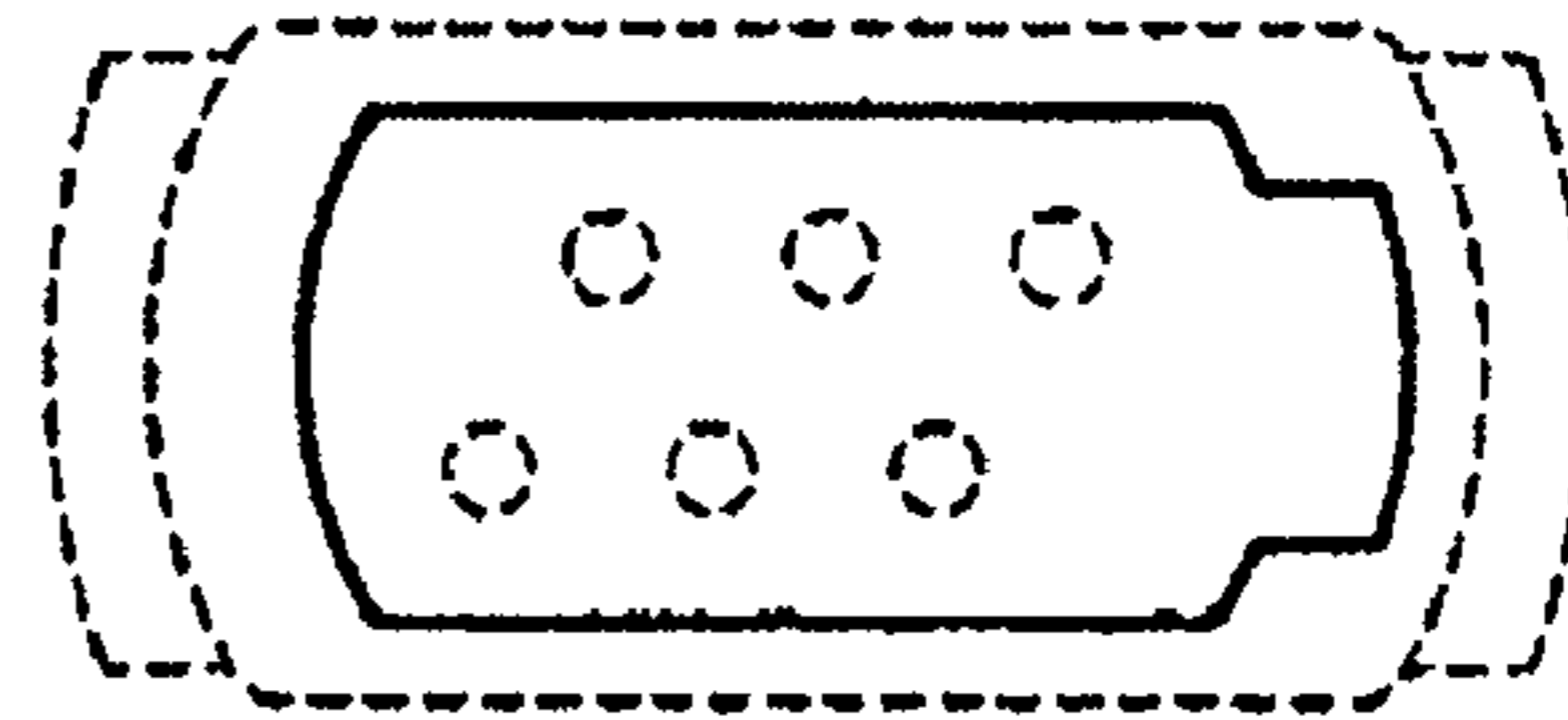


Figure 2

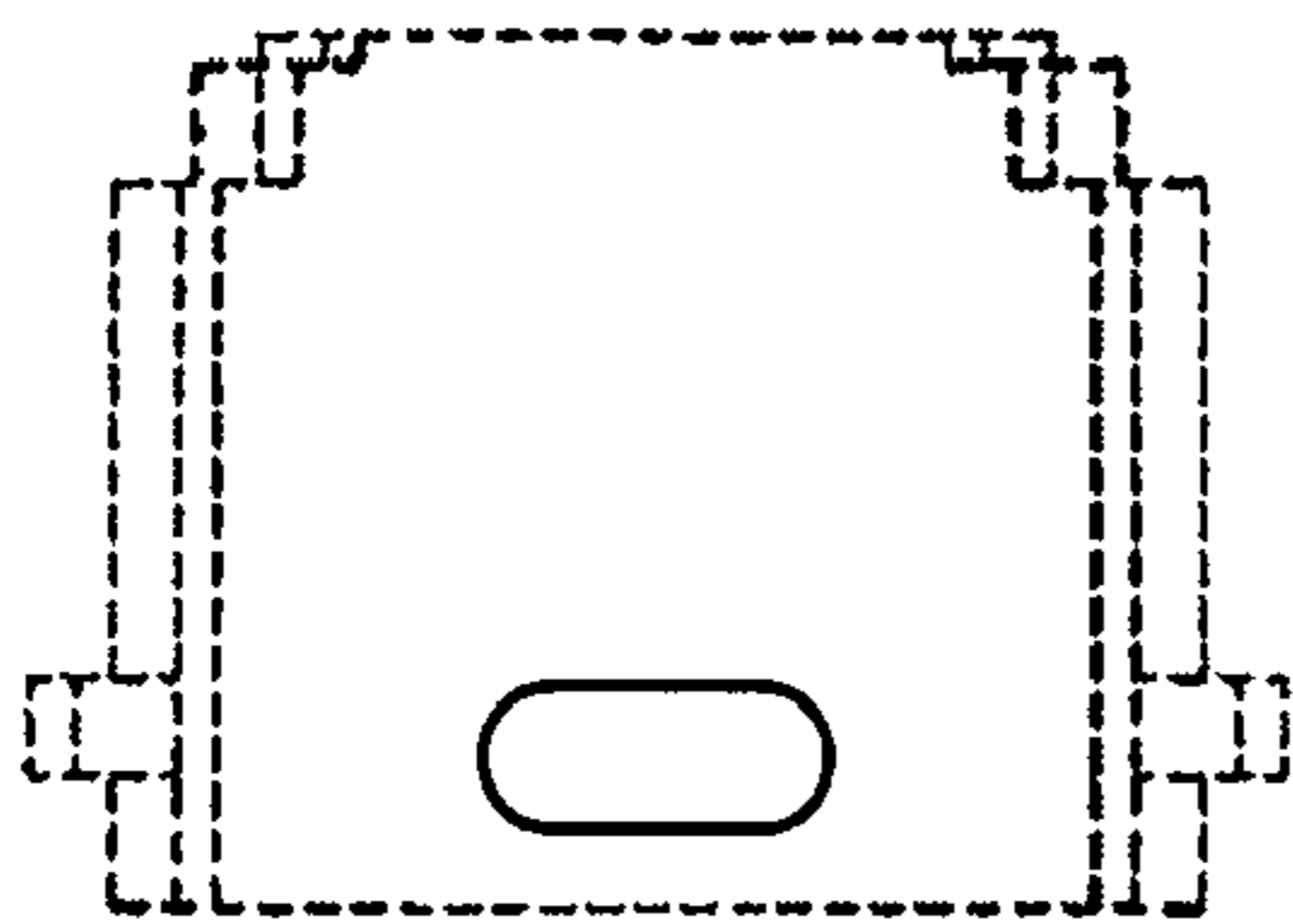


Figure 3

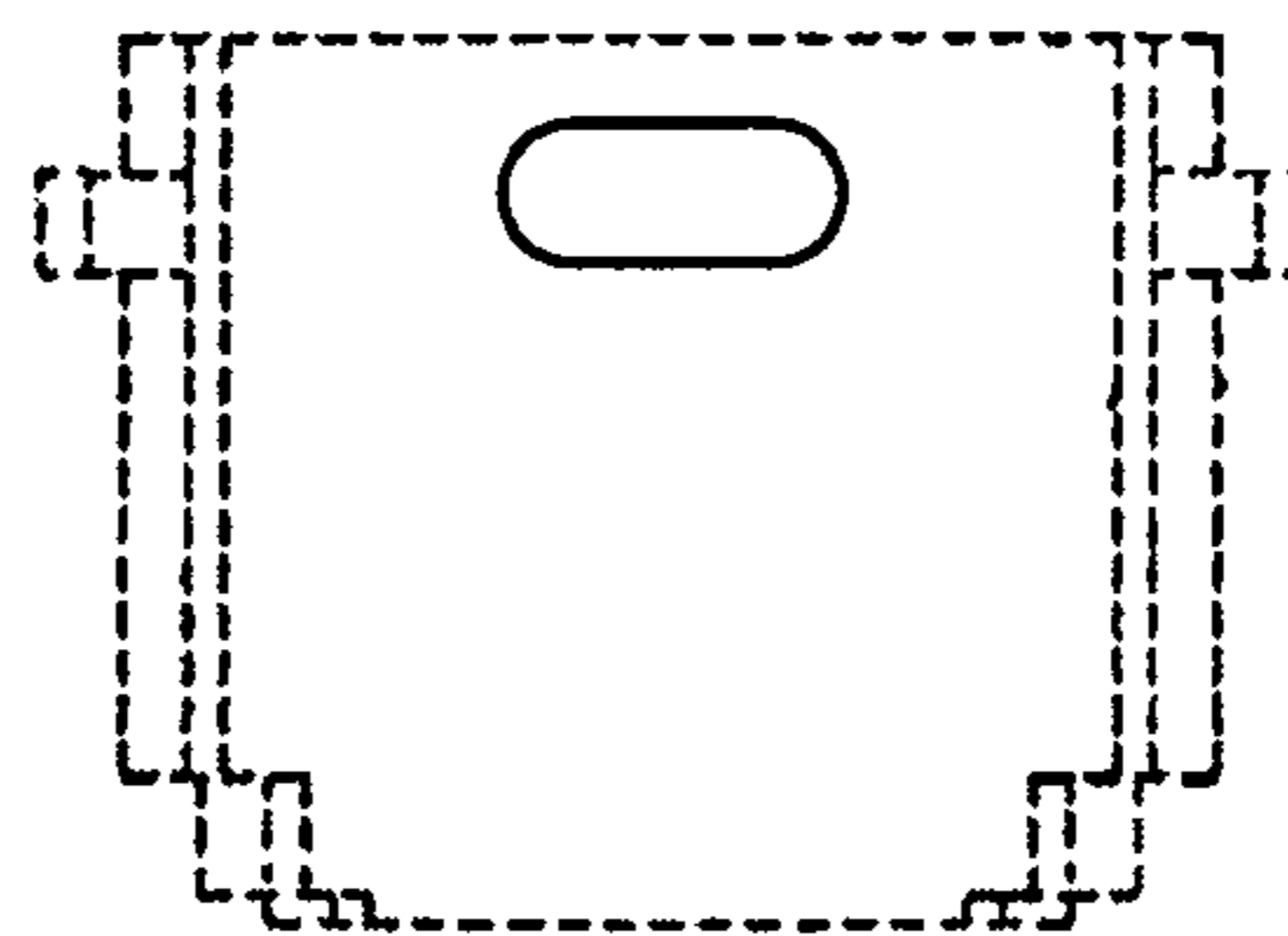


Figure 4



Figure 5

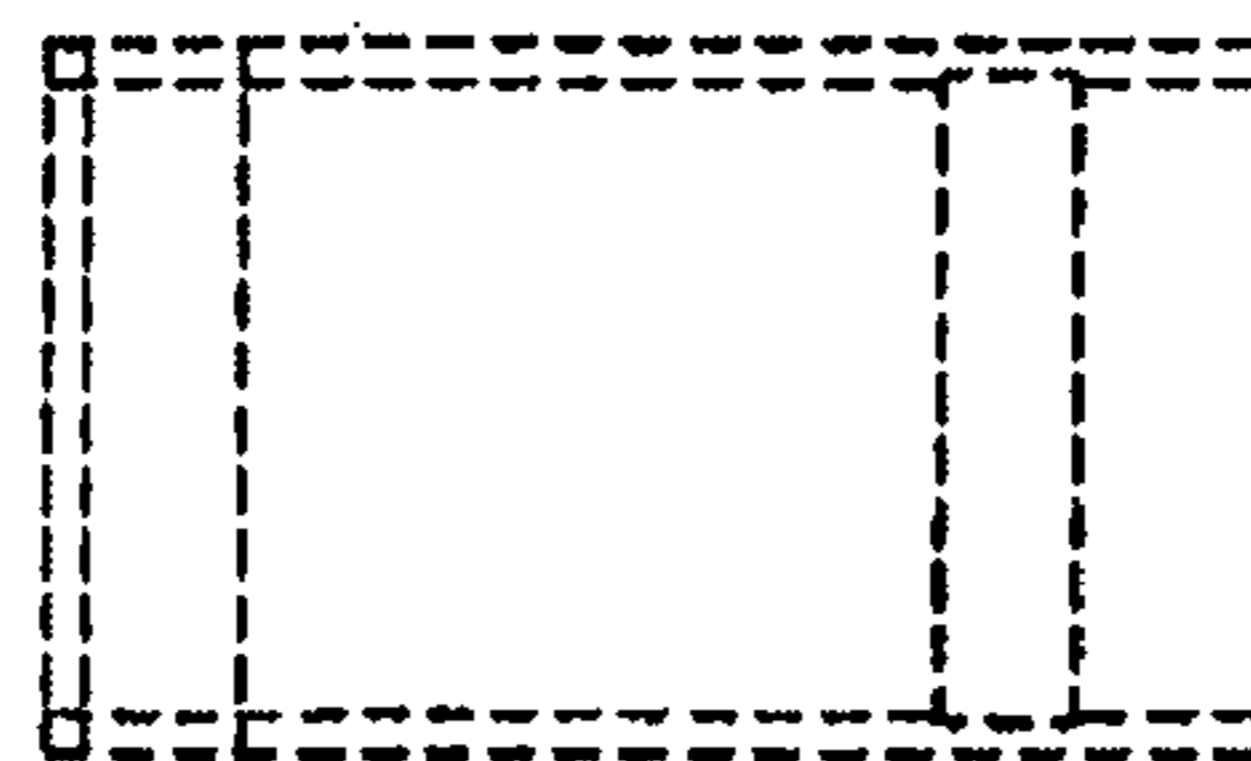


Figure 6

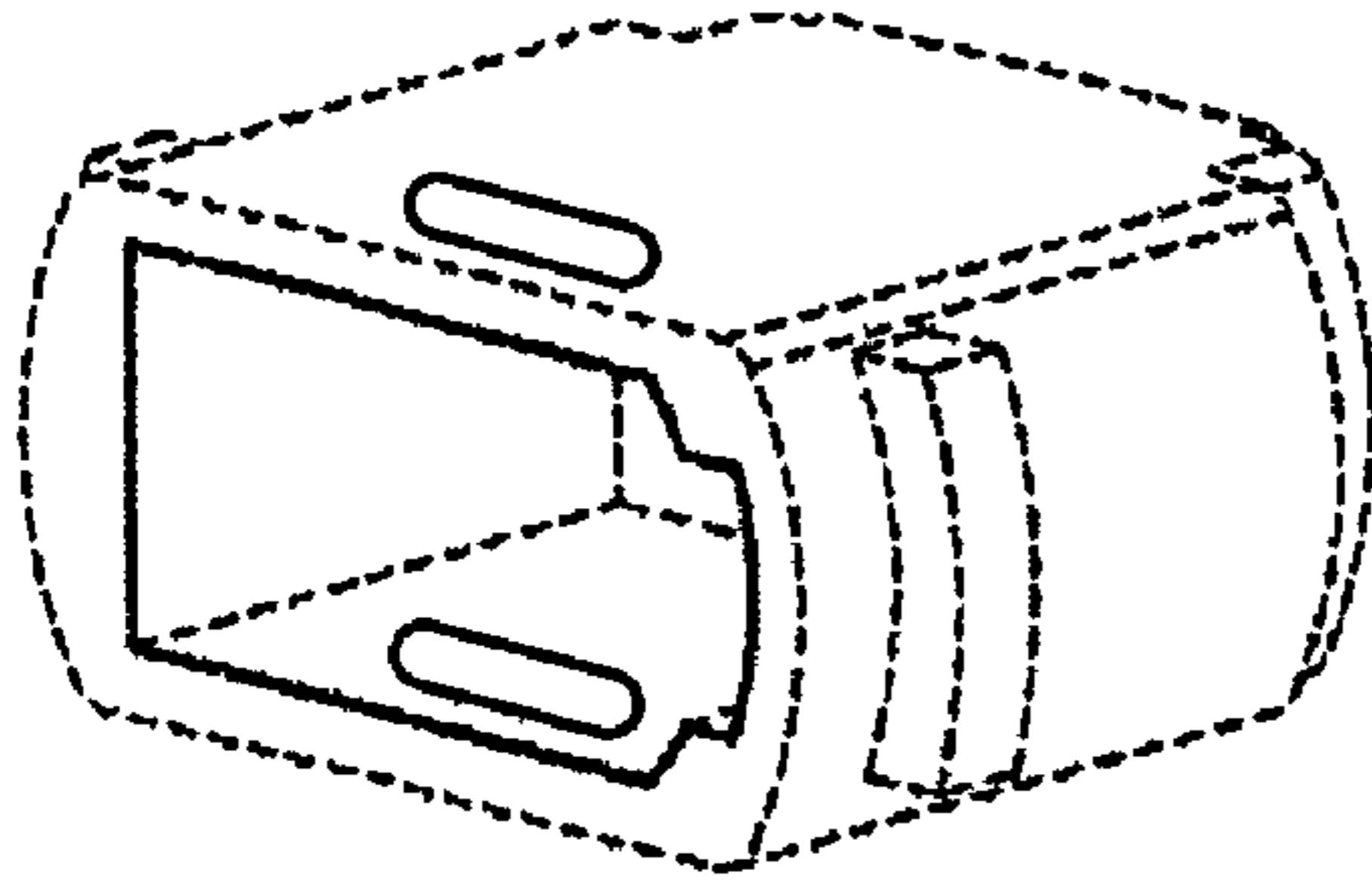


Figure 7

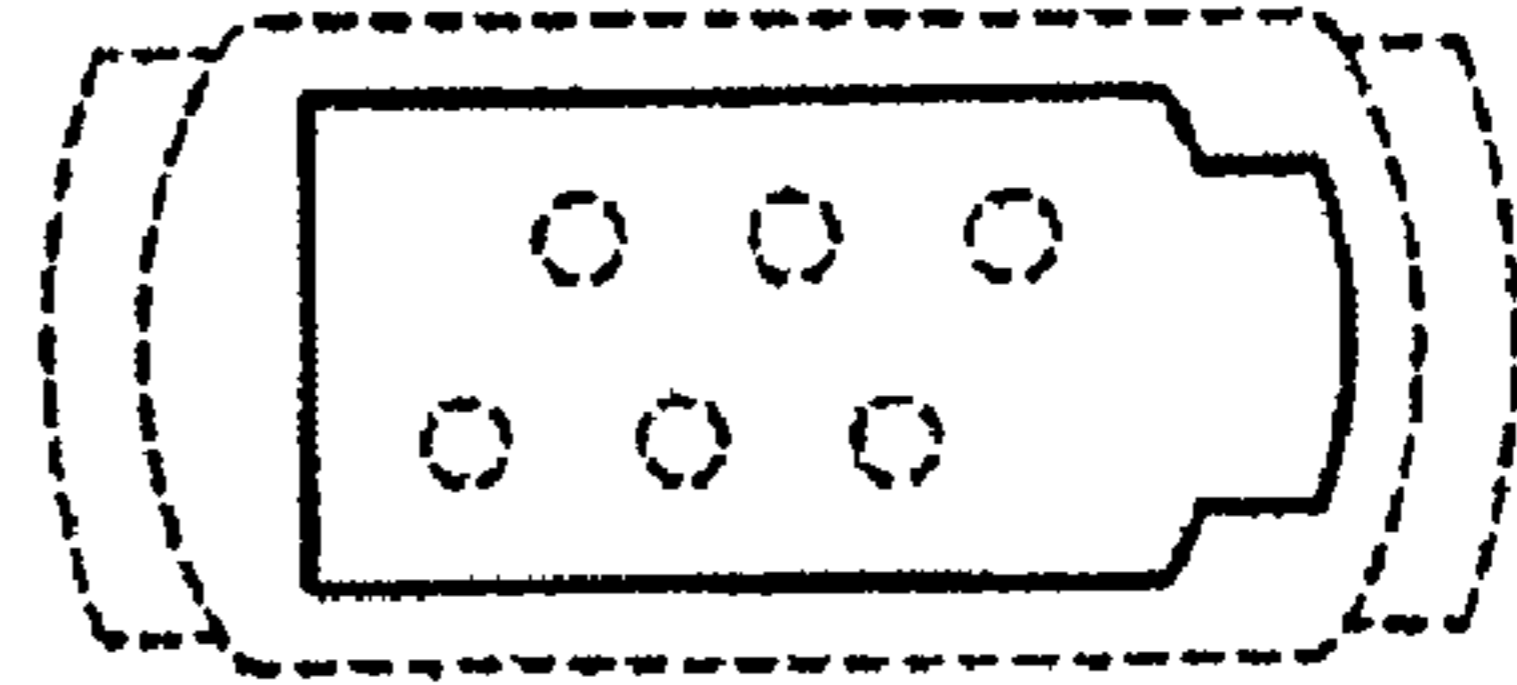


Figure 8

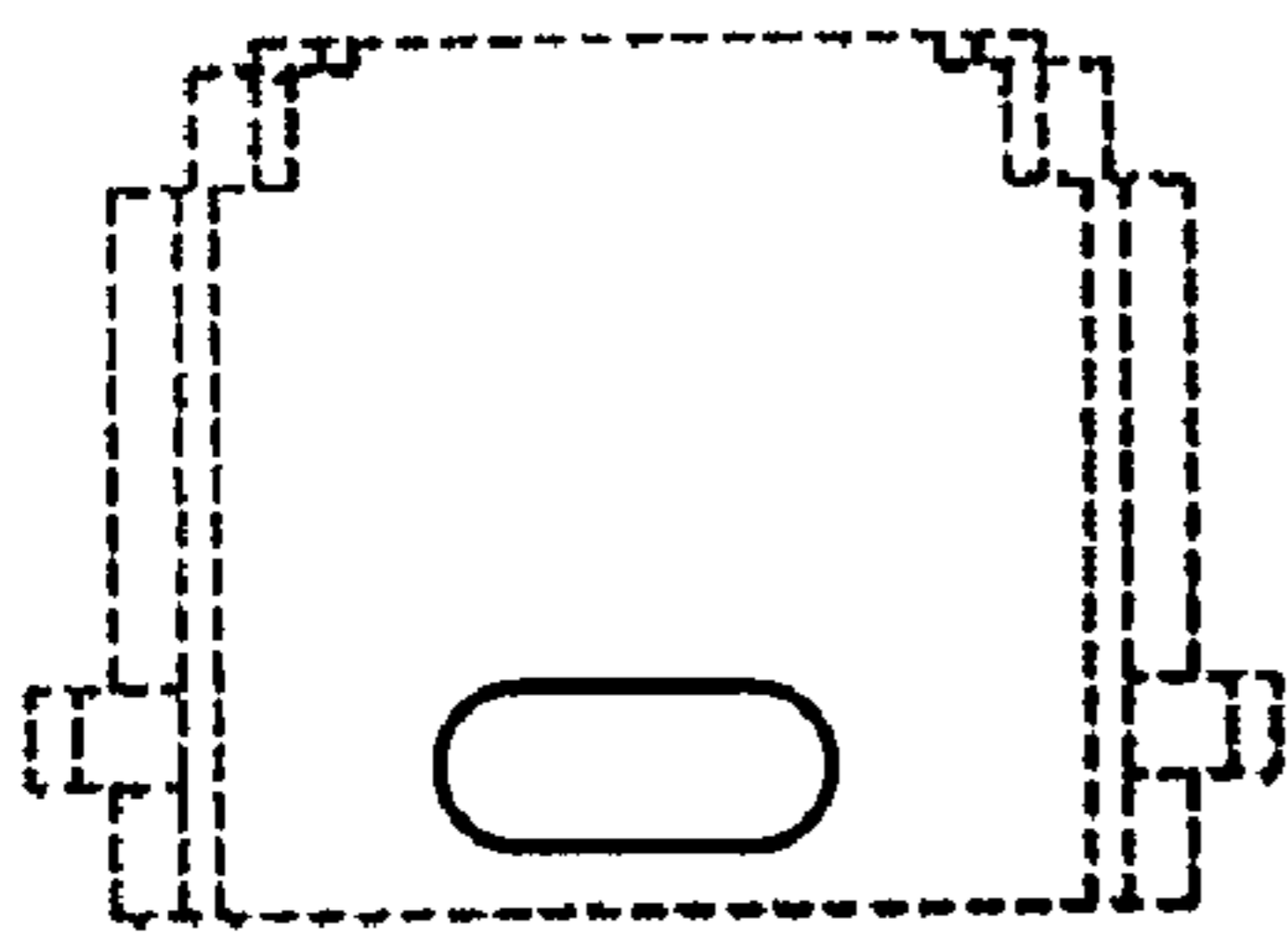


Figure 9

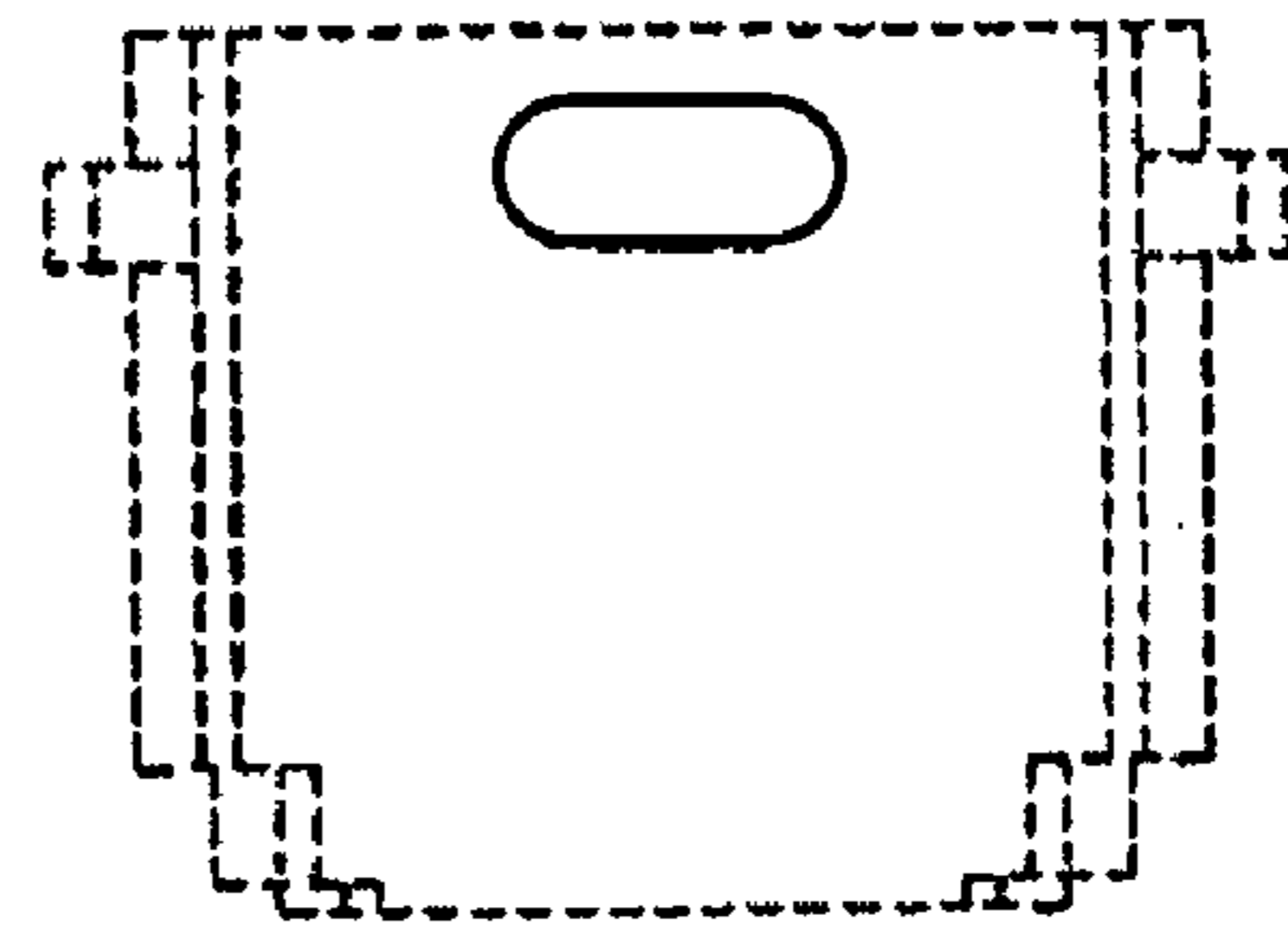


Figure 10

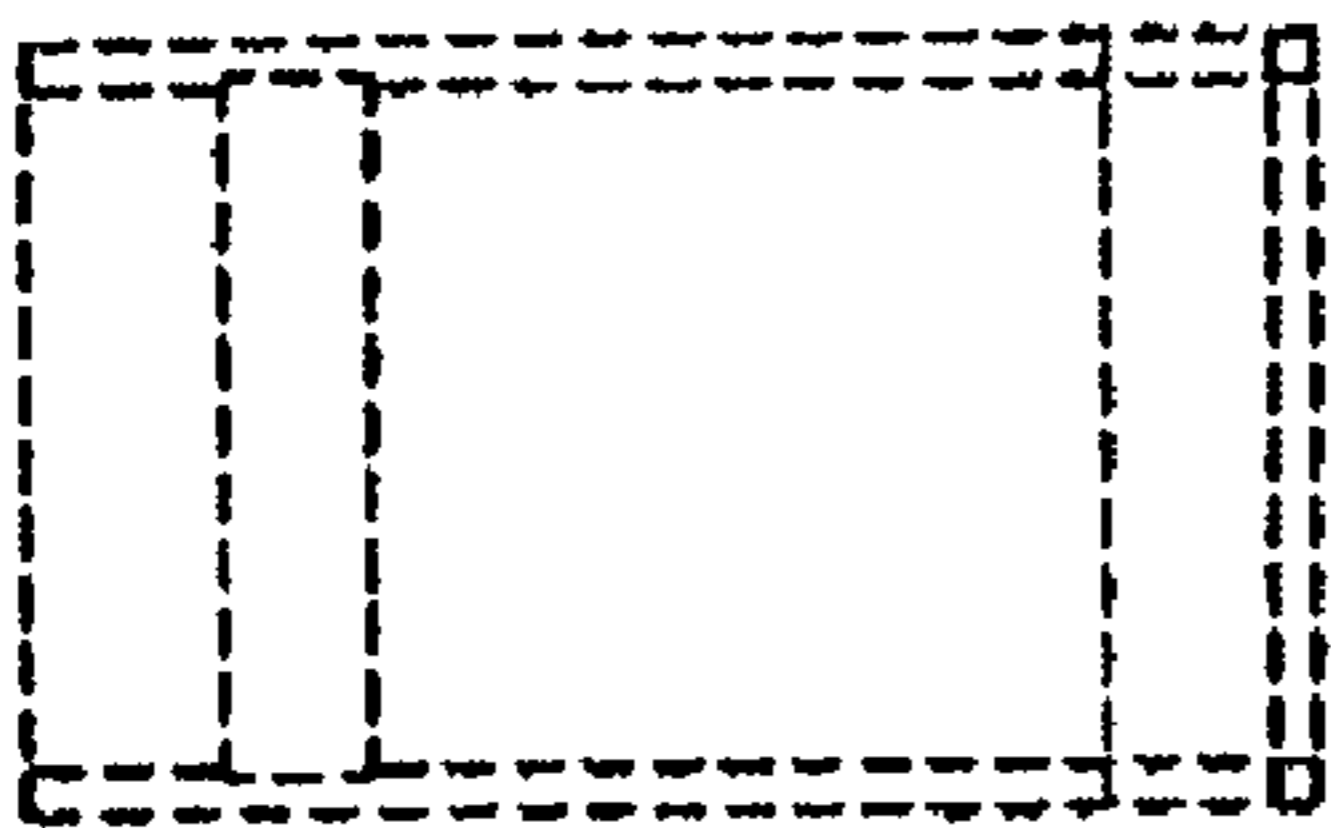


Figure 11

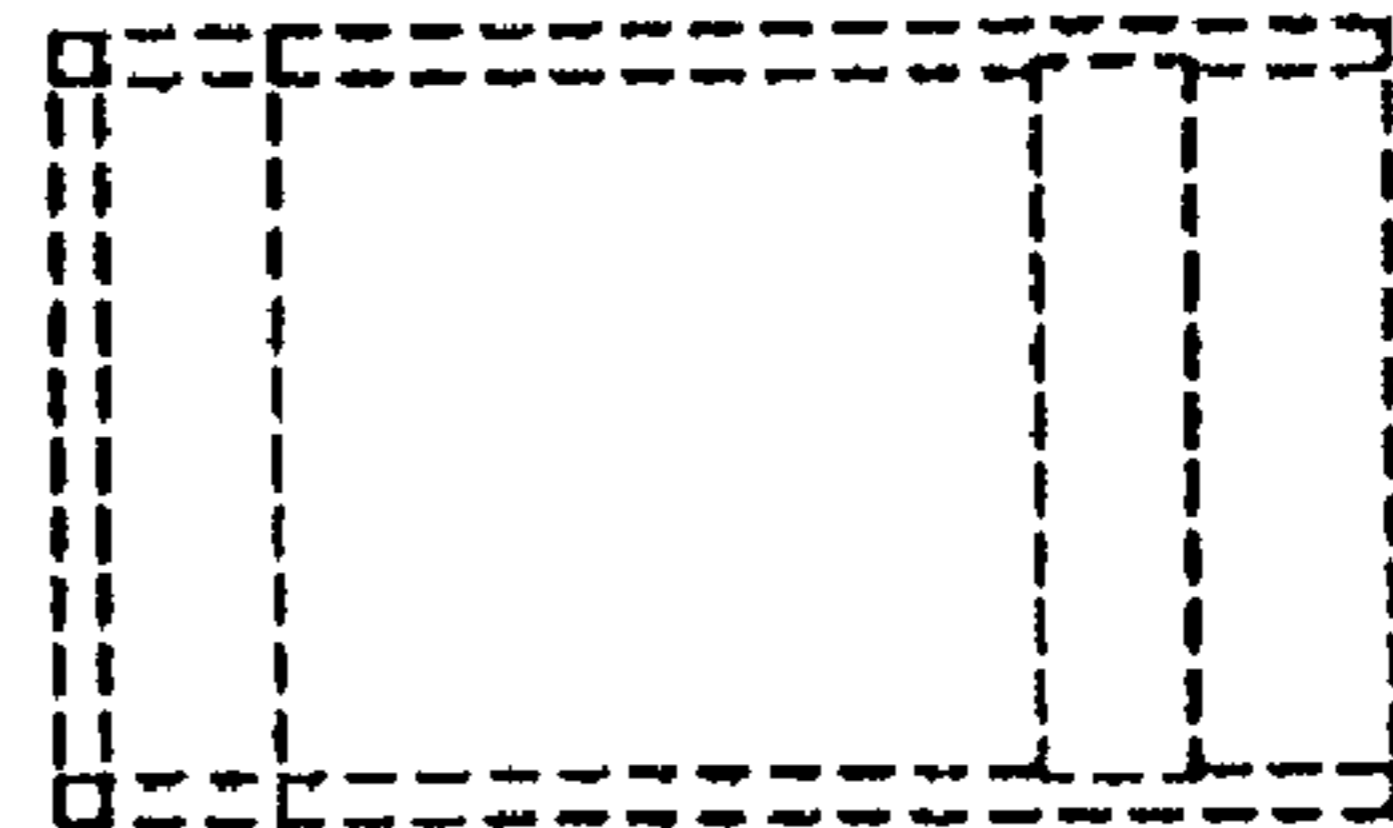


Figure 12