



US00D640204S

(12) **United States Design Patent**  
**Albag**

(10) **Patent No.:** **US D640,204 S**

(45) **Date of Patent:** **\*\* \*Jun. 21, 2011**

(54) **CABLE TAP BOX WITH FOUR TAPS**

(75) Inventor: **Yehezkel Albag**, Nordia (IL)

(73) Assignee: **Xtend Networks Ltd.**, Lod (IL)

(\*) Notice: This patent is subject to a terminal disclaimer.

(\*\*) Term: **14 Years**

(21) Appl. No.: **29/355,998**

(22) Filed: **Feb. 18, 2010**

(51) **LOC (9) Cl.** ..... **13-03**

(52) **U.S. Cl.** ..... **D13/152**

(58) **Field of Classification Search** ..... D13/139.4,  
D13/152, 156, 184, 199; 174/50, 53-55,  
174/58, 60, 66, 67; 220/3.2, 3.3, 3.6-3.9,  
220/241, 242, 244, 315, 4.02; 248/906; 439/135,  
439/136, 138, 142, 166, 367, 373, 535, 536,  
439/537, 541, 892, 893, 578; D14/217; 333/100  
See application file for complete search history.

(56) **References Cited**

**U.S. PATENT DOCUMENTS**

D311,723	S	*	10/1990	Eggleston et al.	.....	D13/162
D312,244	S	*	11/1990	Collins et al.	.....	D13/152
D396,692	S	*	8/1998	Shen	.....	D13/147
D401,226	S	*	11/1998	Inoko	.....	D13/184
D402,293	S	*	12/1998	Kodaira et al.	.....	D14/217
D404,712	S	*	1/1999	Hsiang	.....	D13/147
D410,630	S	*	6/1999	Kodaira et al.	.....	D13/151
5,914,863	A	*	6/1999	Shen	.....	361/752
D412,313	S	*	7/1999	Hughes	.....	D13/152
D506,183	S	*	6/2005	Hull et al.	.....	D13/152

D507,241	S	*	7/2005	Koessler	.....	D13/152
7,053,297	B2	*	5/2006	Hull et al.	.....	174/50
7,057,106	B2	*	6/2006	Hull et al.	.....	174/50
D545,765	S	*	7/2007	Cockburn	.....	D13/147
D579,417	S	*	10/2008	Stuckmann et al.	.....	D13/152

\* cited by examiner

*Primary Examiner* — Rosemary K Tarcza

(74) *Attorney, Agent, or Firm* — Pearl Cohen Zedek Latzer, LLP

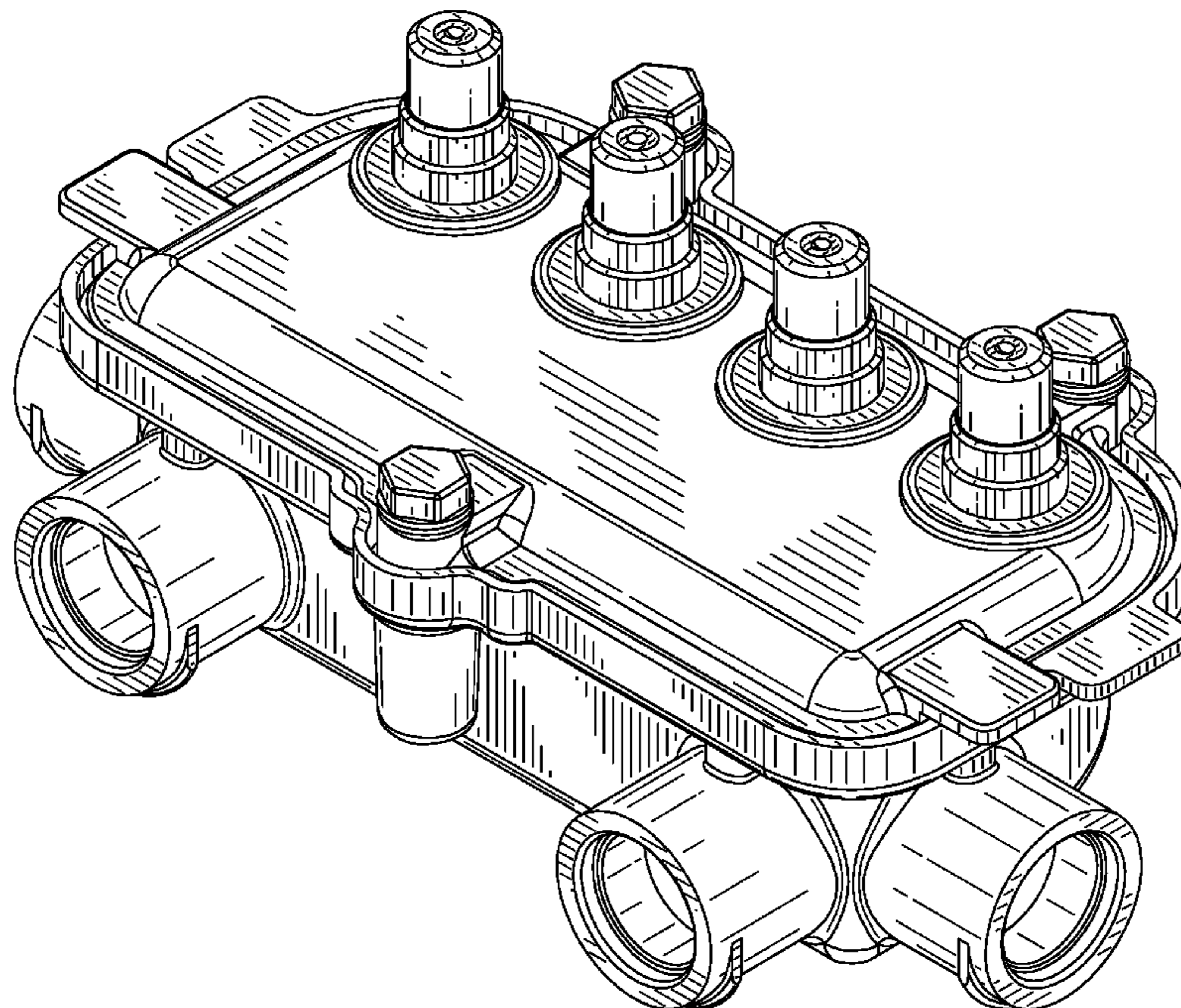
(57) **CLAIM**

The ornamental design for a cable tap box with four taps, as shown and described.

**DESCRIPTION**

FIG. 1 is a top, front side perspective view of the cable tap box with four taps;  
 FIG. 2 is a top plan view of the cable tap box with four taps shown in FIG. 1;  
 FIG. 3 is a bottom plan view of the cable tap box with four taps shown in FIG. 1;  
 FIG. 4 is a front side elevational view of the cable tap box with four taps shown in FIG. 1;  
 FIG. 5 is a rear side elevational view of the cable tap box with four taps shown in FIG. 1;  
 FIG. 6 is a right side elevational view of the cable tap box with four taps shown in FIG. 1; and,  
 FIG. 7 is a left side elevational view of the cable tap box with four taps shown in FIG. 1.  
 The broken lines shown in the drawings are included for the purpose of illustrating unclaimed portions of the cable tap box with four taps and form no part of the claimed design.

**1 Claim, 7 Drawing Sheets**



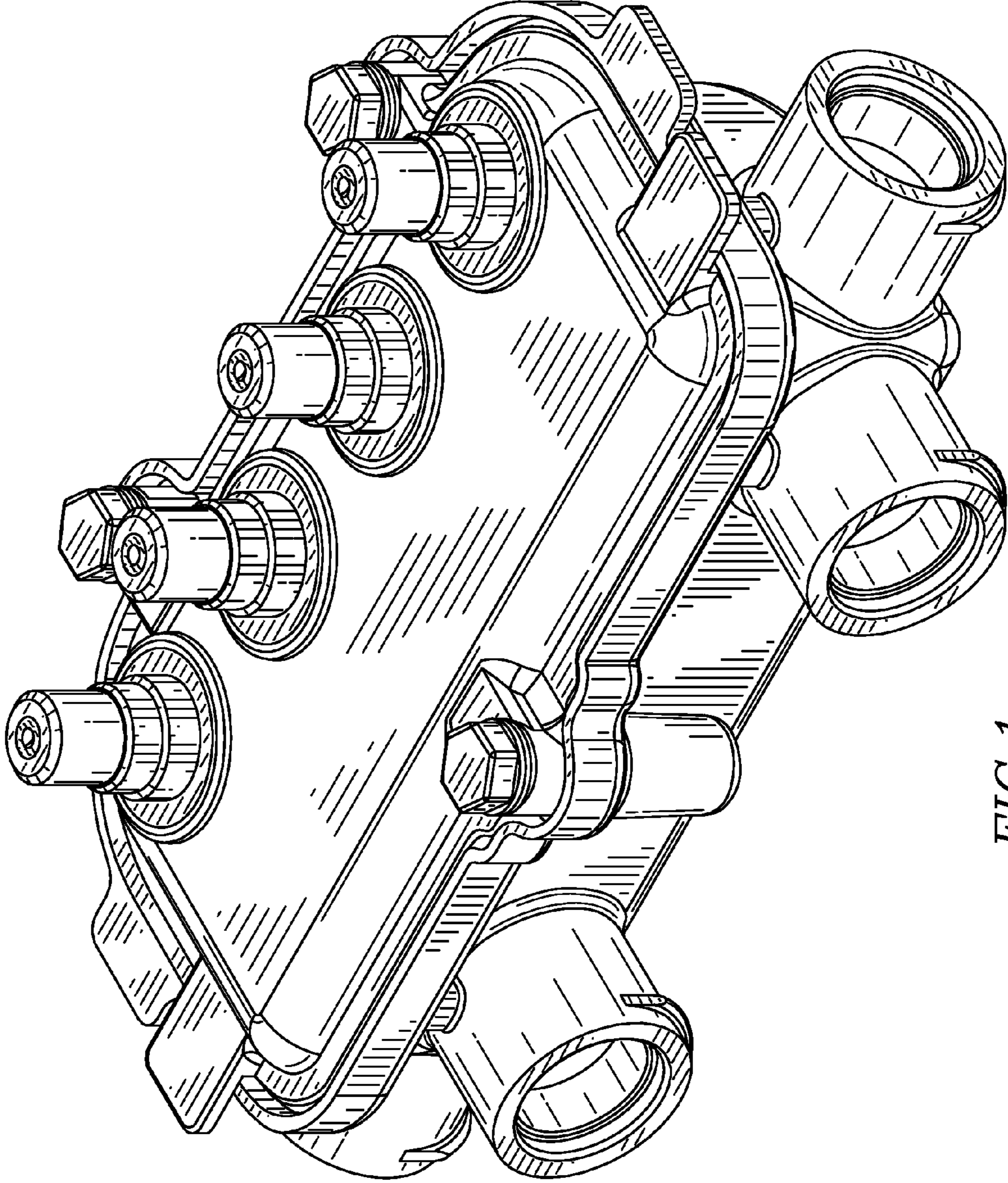


FIG. 1

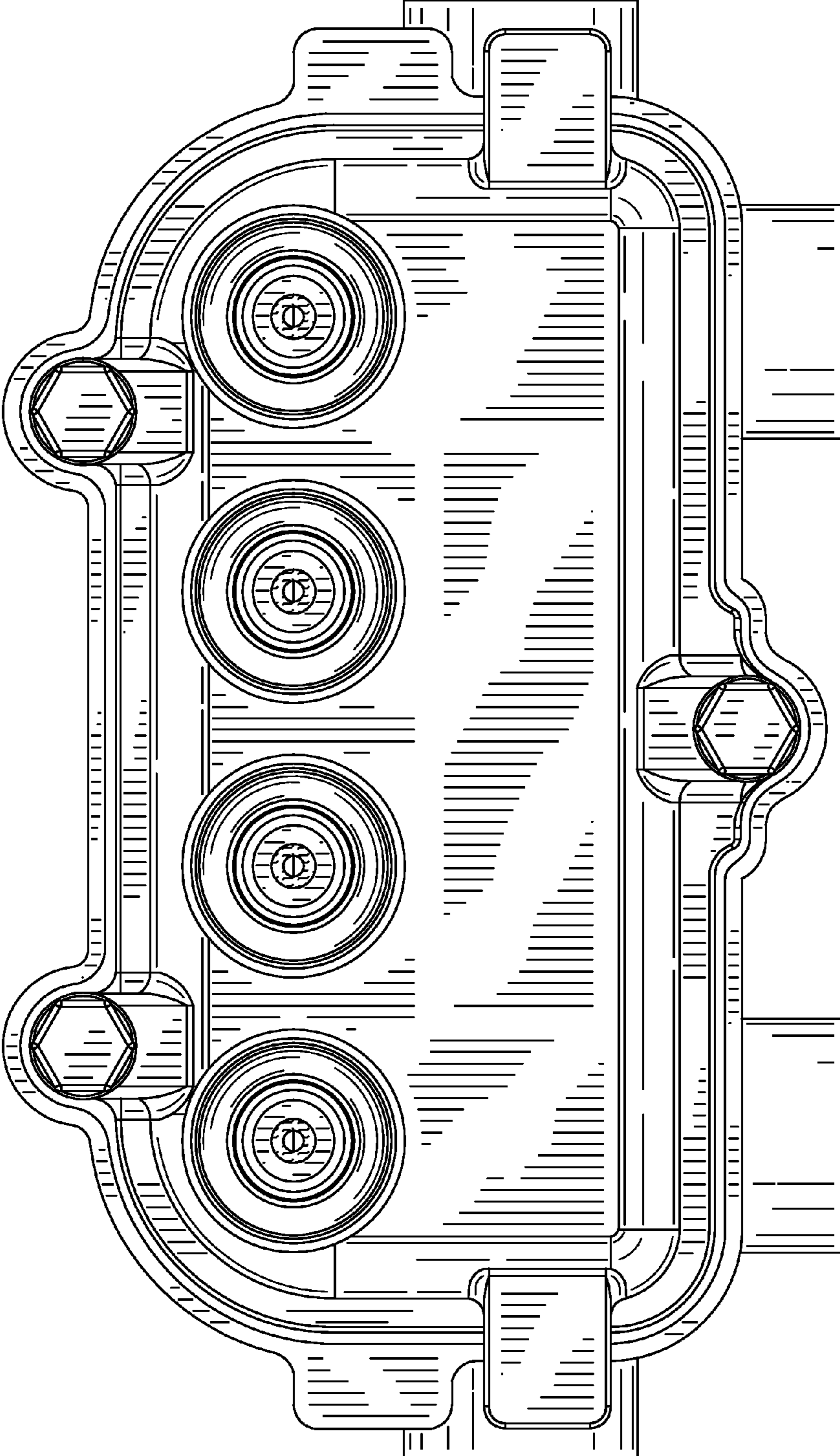


FIG. 2

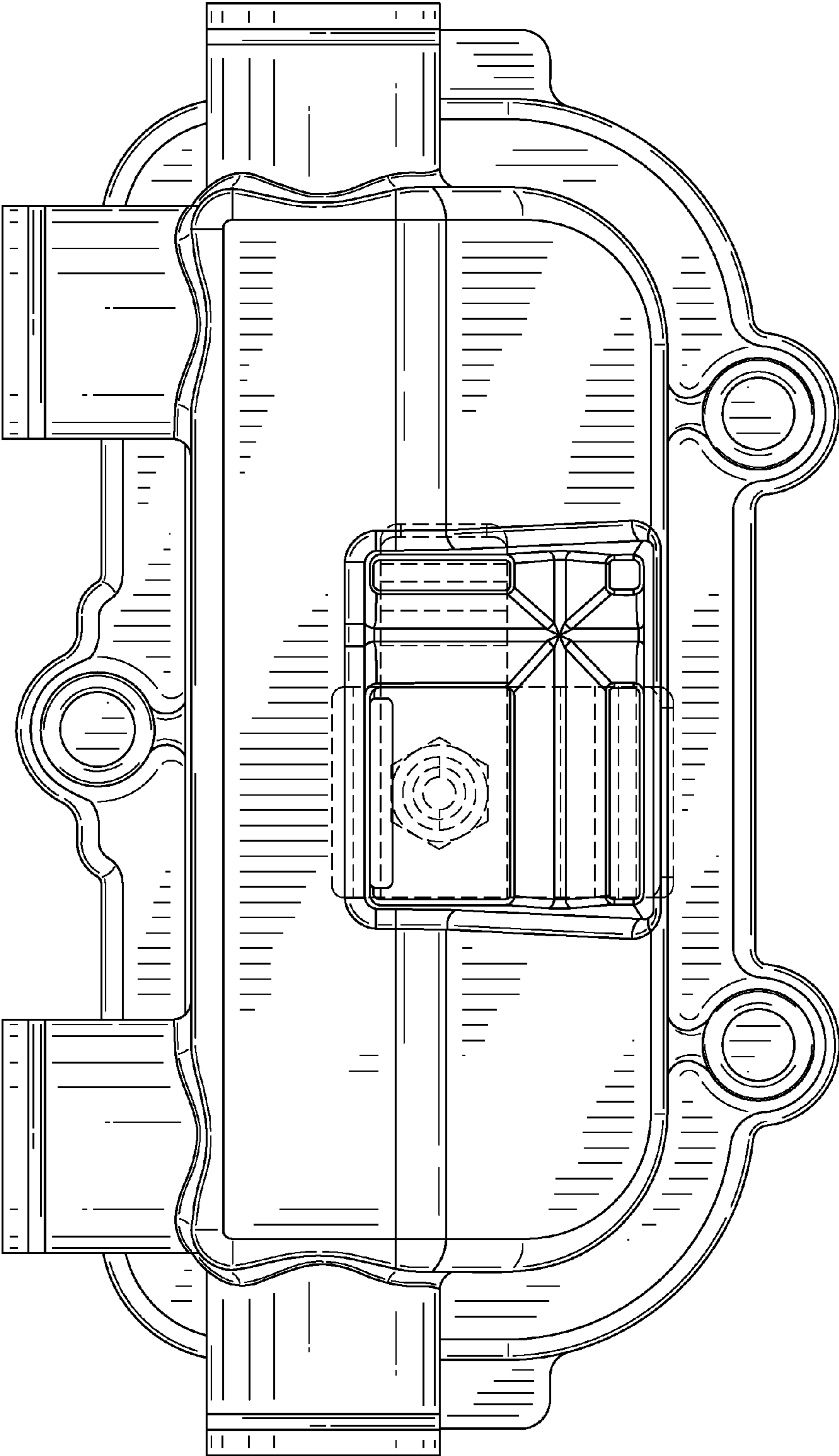


FIG. 3

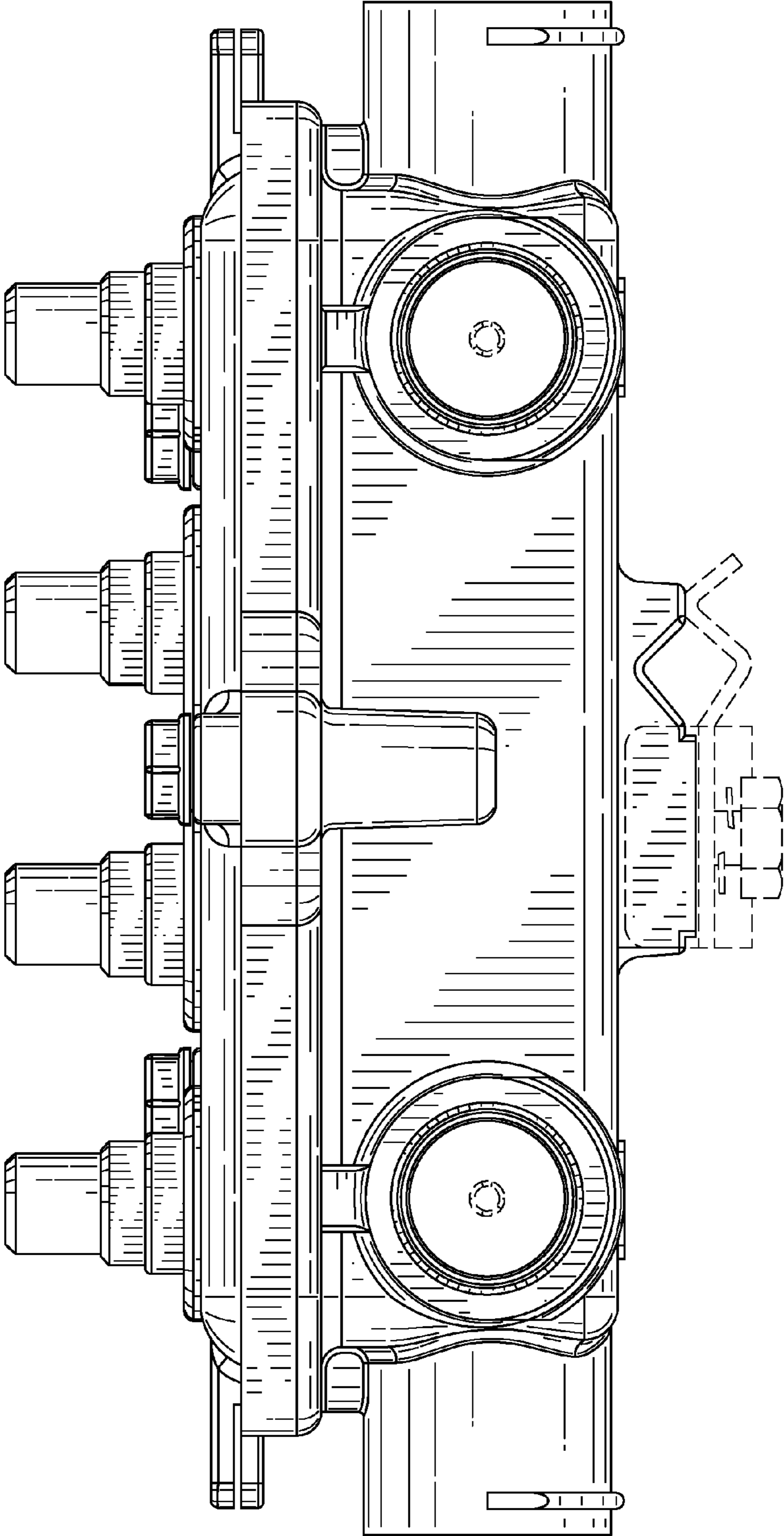


FIG. 4

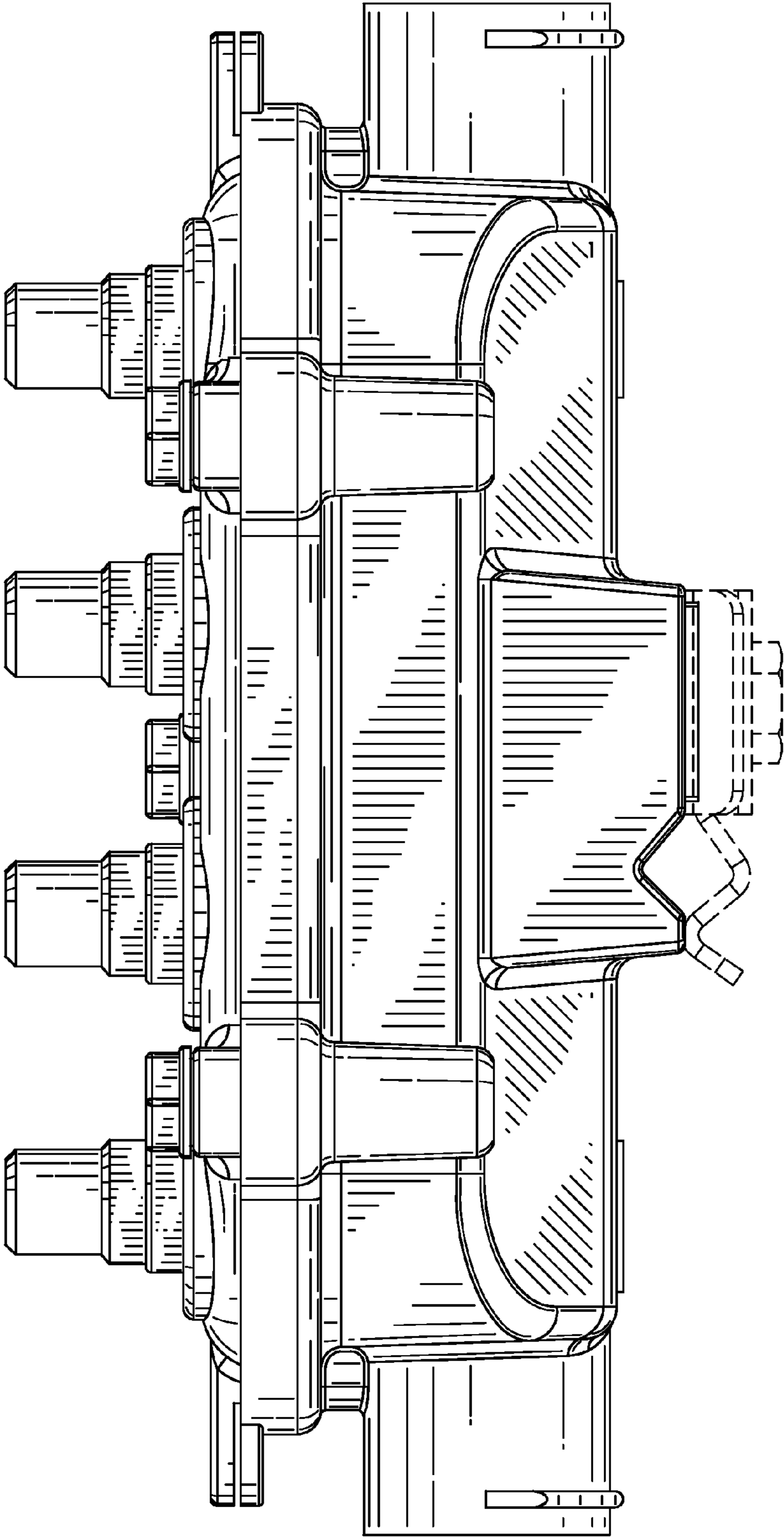


FIG. 5

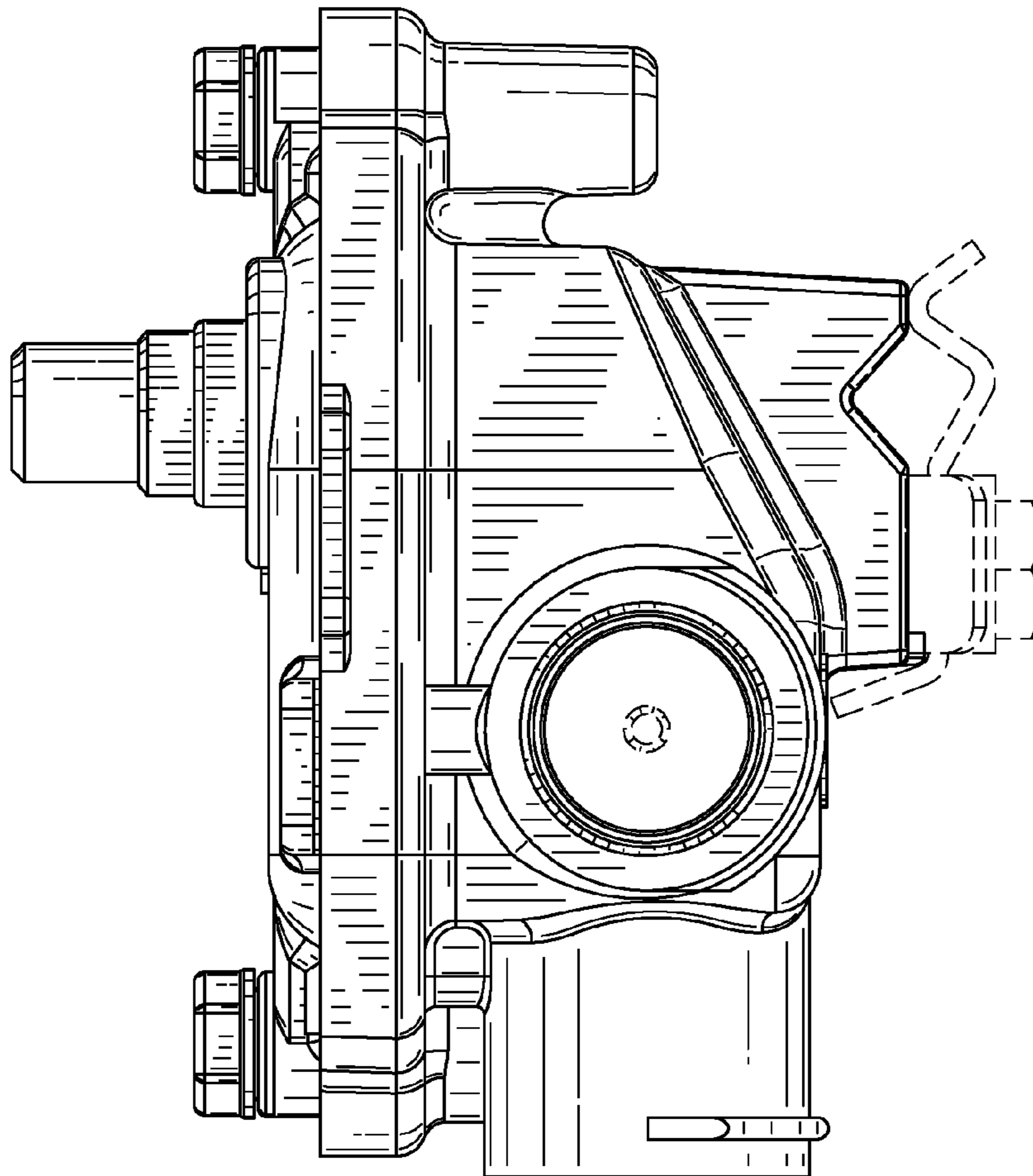


FIG. 6

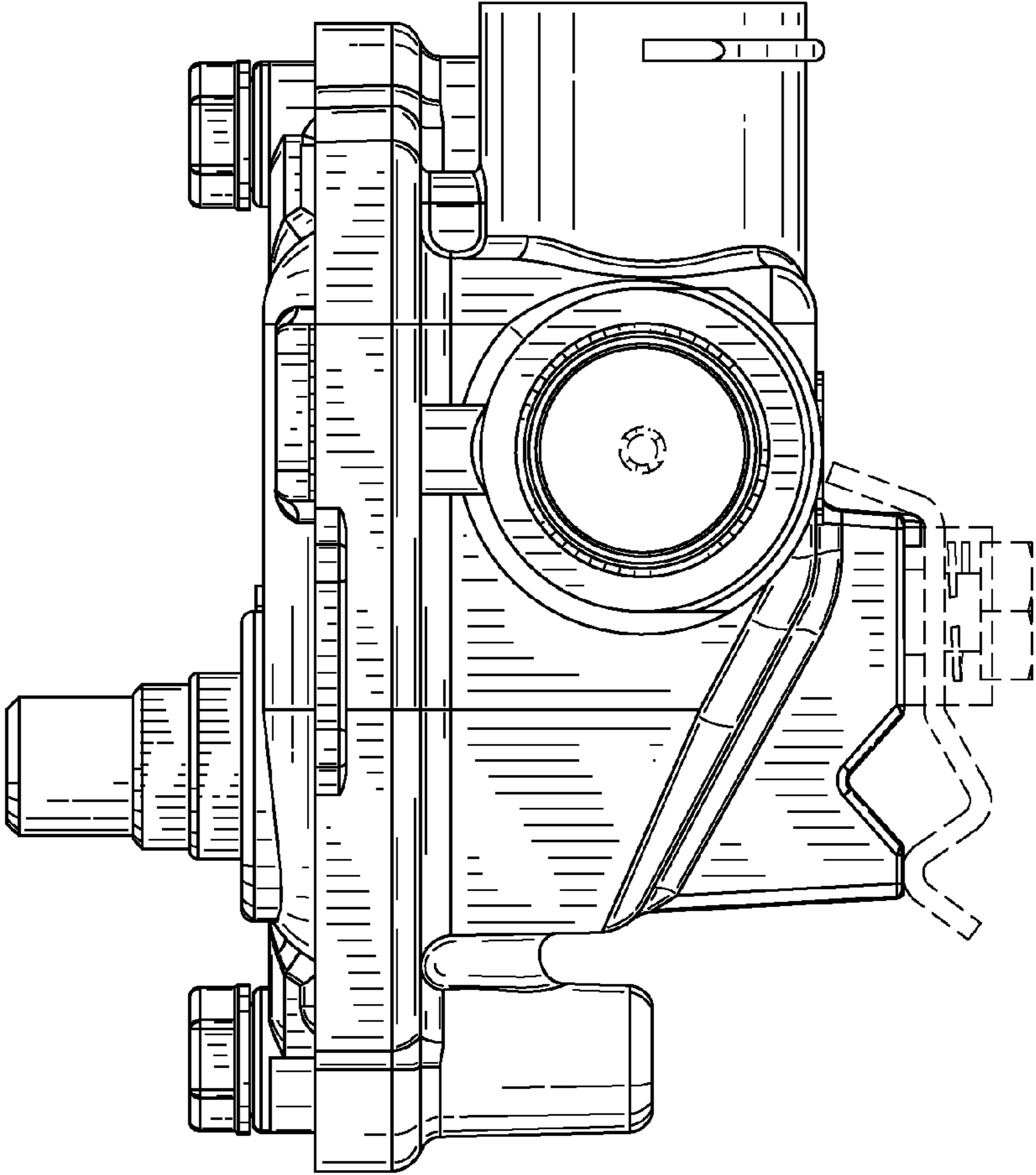


FIG. 7