



US00D640201S

(12) **United States Design Patent**  
**Ngo**

(10) **Patent No.:** **US D640,201 S**  
(45) **Date of Patent:** **\*\* \*Jun. 21, 2011**

(54) **ELECTRICAL CARD-EDGE CONNECTOR**

(75) Inventor: **Hung Viet Ngo**, Harrisburg, PA (US)

(73) Assignee: **FCI Americas Technology LLC**,  
Carson City, NV (US)

(\*\*) Term: **14 Years**

(21) Appl. No.: **29/363,267**

(22) Filed: **Jun. 7, 2010**

(51) **LOC (9) Cl.** ..... **13-03**

(52) **U.S. Cl.** ..... **D13/147**

(58) **Field of Classification Search** ..... D13/147,  
D13/154, 184; 439/188, 607.01, 607.04,  
439/607.05, 607.17, 607.25, 607.34, 607.41,  
439/607.53, 668, 540.1, 541.5, 939, 525,  
439/526, 607.07, 607.08, 607.09, 607.11,  
439/607.13, 607.14, 607.31, 607.32, 607.36,  
439/607.4, 607.46, 945, 947, 951

See application file for complete search history.

(56) **References Cited**

**U.S. PATENT DOCUMENTS**

5,971,775	A	10/1999	Tor et al.	
7,014,475	B1	3/2006	Mongold	
D540,264	S *	4/2007	Zhang	D13/147
D606,496	S *	12/2009	Ngo	D13/147
D606,497	S *	12/2009	Ngo	D13/147
D608,293	S *	1/2010	Ngo	D13/147
D610,548	S *	2/2010	Ngo	D13/147
D621,364	S *	8/2010	Kasahara	D13/147
D623,138	S *	9/2010	Ngo	D13/147
2003/0224654	A1 *	12/2003	Wu	439/573
2010/0124848	A1 *	5/2010	Atkinson et al.	439/620.09
2010/0184339	A1 *	7/2010	Ngo et al.	439/682

**OTHER PUBLICATIONS**

U.S. Appl. No. 12/687,237, filed Jan. 14, 2010, Ngo.

U.S. Appl. No. 61/205,276, filed Jan. 16, 2009, Ngo.

\* cited by examiner

*Primary Examiner* — Daniel D Bui

(74) *Attorney, Agent, or Firm* — Woodcock Washburn LLP

(57) **CLAIM**

The ornamental design for an electrical card-edge connector, as shown and described.

**DESCRIPTION**

This application is related by subject matter to U.S. Provisional Patent Application No. 61/352,231, filed Jun. 7, 2010, entitled "Electrical Card-Edge Connector", U.S. Provisional Patent Application No. 61/352,245, filed Jun. 7, 2010, entitled "Electrical Card-Edge Connector", U.S. Design patent application Ser. No. 29/363,269, filed Jun. 7, 2010, entitled "Electrical Card-Edge Connector", and U.S. Design patent application Ser. No. 29/363,270, filed Jun. 7, 2010, entitled "Electrical Card-Edge Connector".

FIG. 1 is a bottom, left, front perspective view of an electrical card-edge connector according to my design;

FIG. 2 is a top, right, rear perspective view thereof;

FIG. 3 is a rear elevation view thereof;

FIG. 4 is a top plan view thereof;

FIG. 5 is a front elevation view thereof;

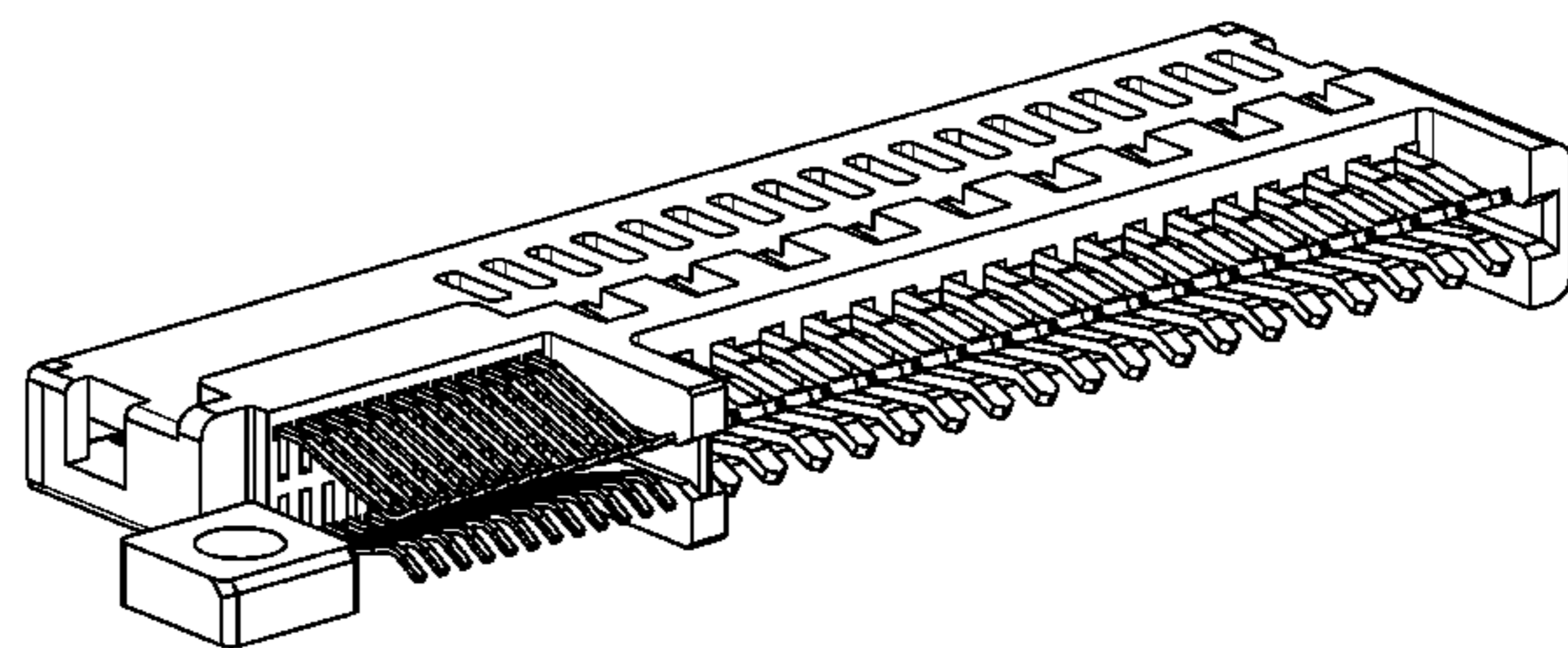
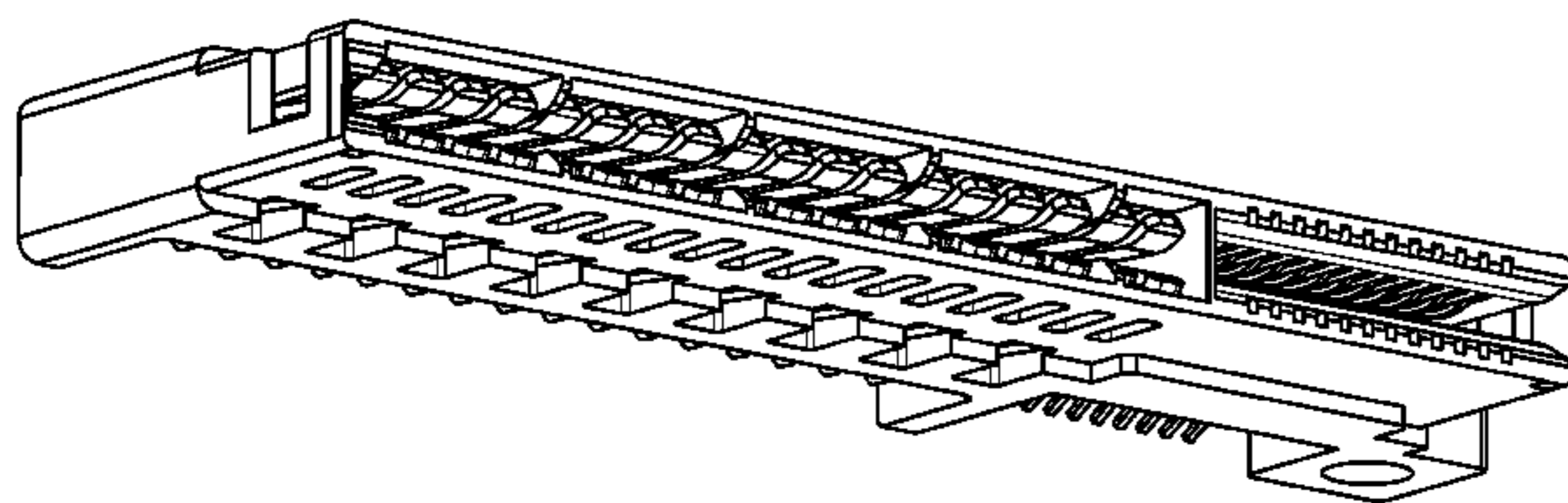
FIG. 6 is a bottom plan view thereof;

FIG. 7 is a left side elevation view thereof; and,

FIG. 8 is a right side elevation view thereof.

In a preferred embodiment, the nature of this product is an electrical card-edge connector in the form of an electrical connector housing that retains a plurality of electrical contacts, such that the electrical card-edge connector is configured to mount to a first circuit board and mate with a second circuit board.

**1 Claim, 4 Drawing Sheets**



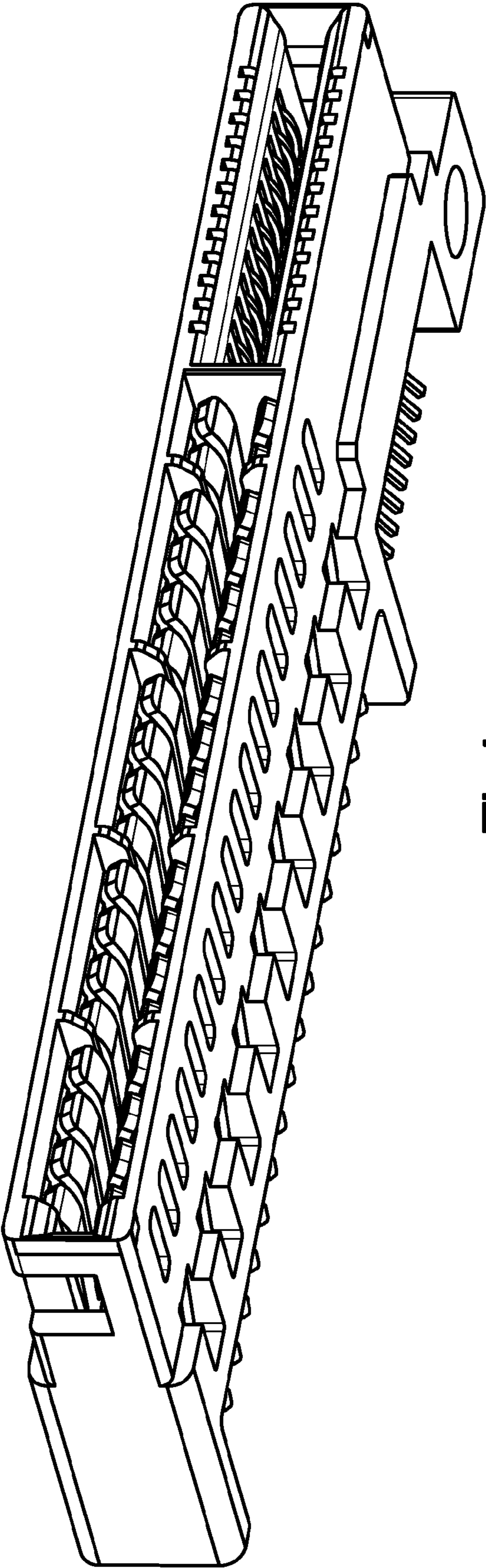


Fig.1

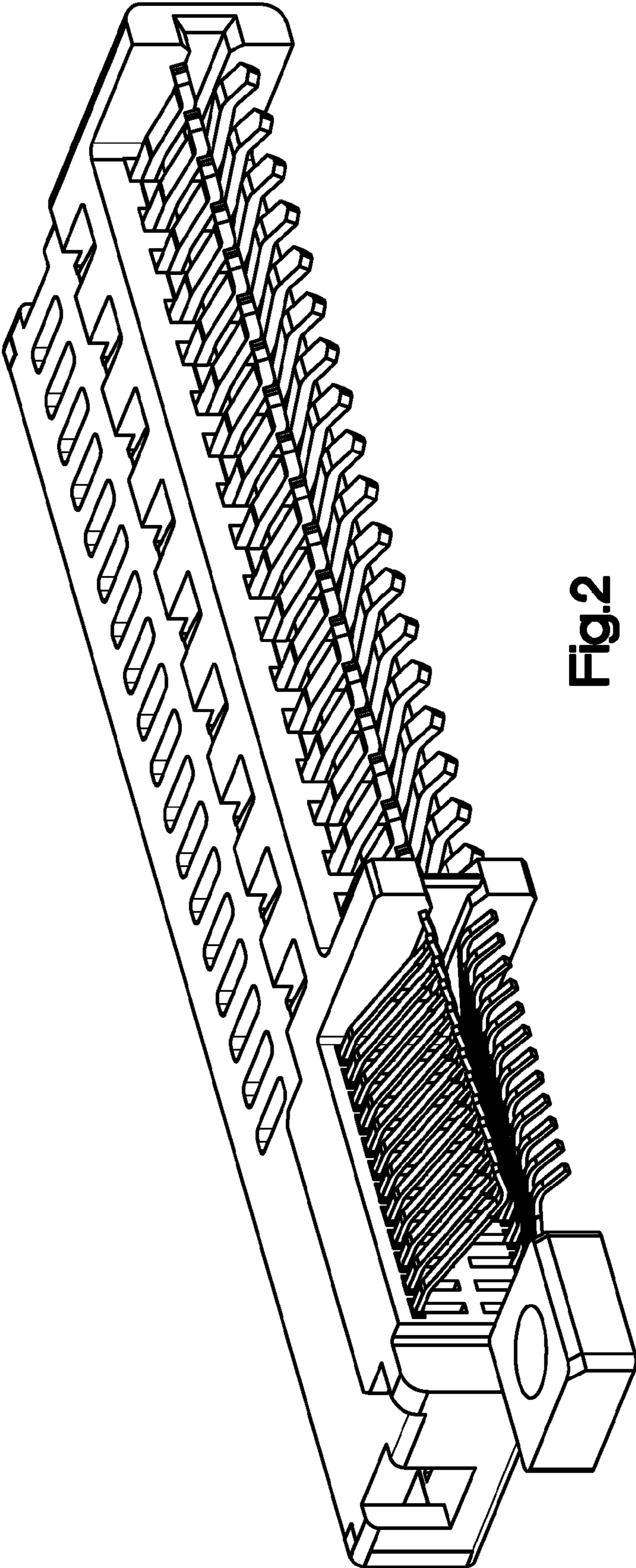


Fig. 2

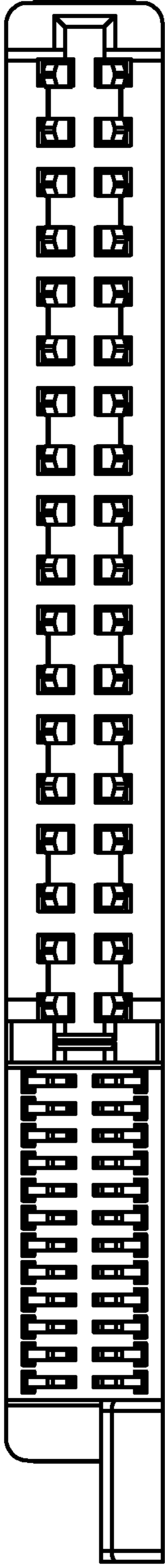


Fig. 3

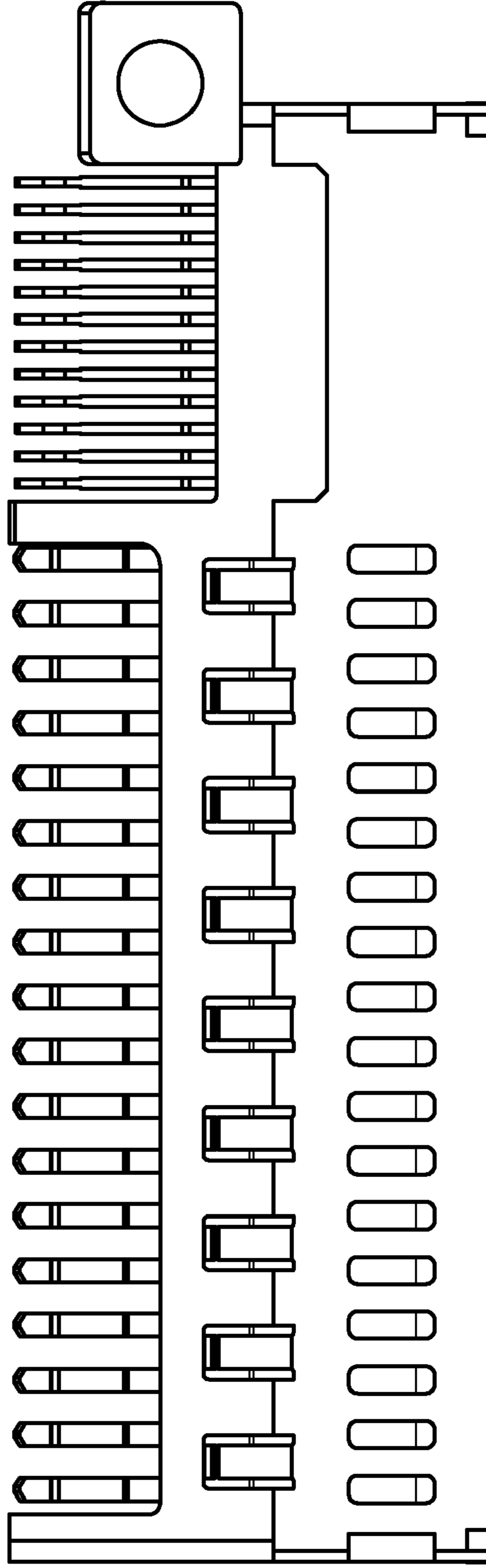


Fig. 4

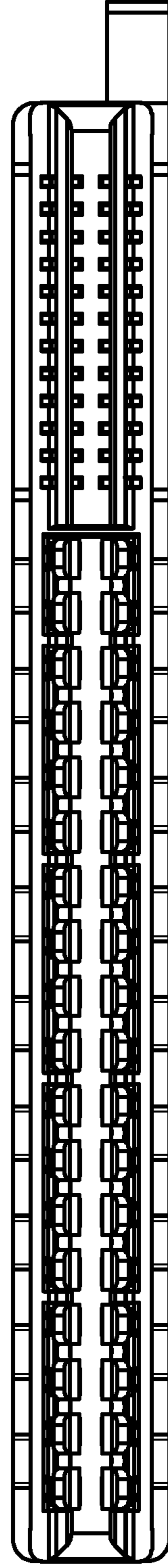


Fig. 5

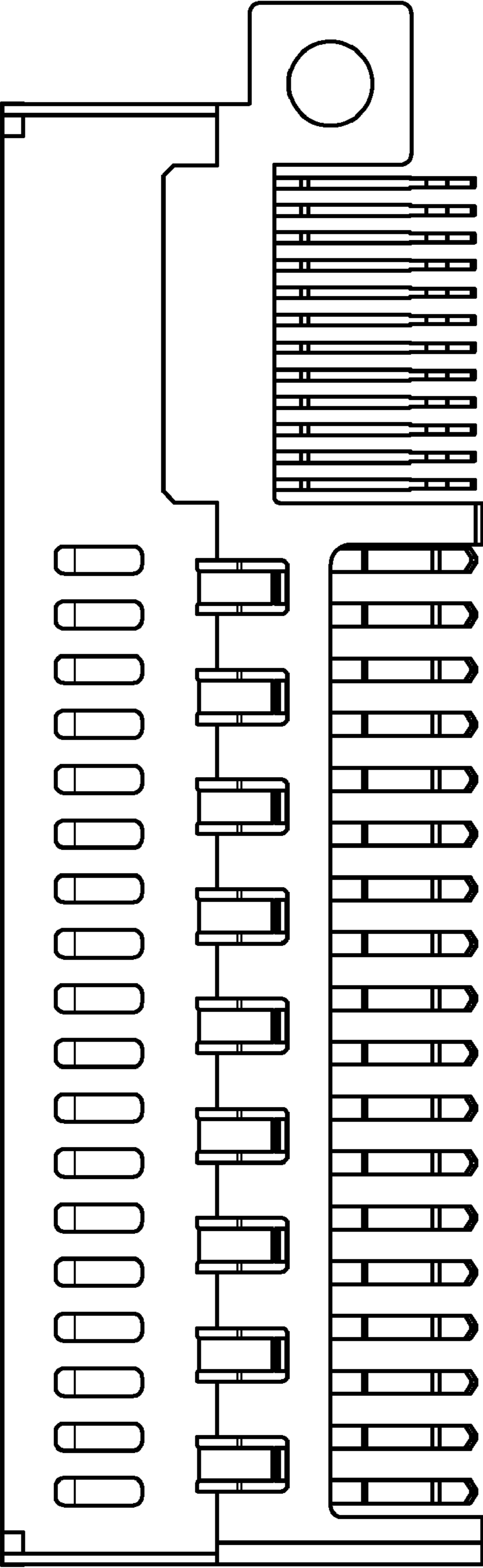


Fig.6

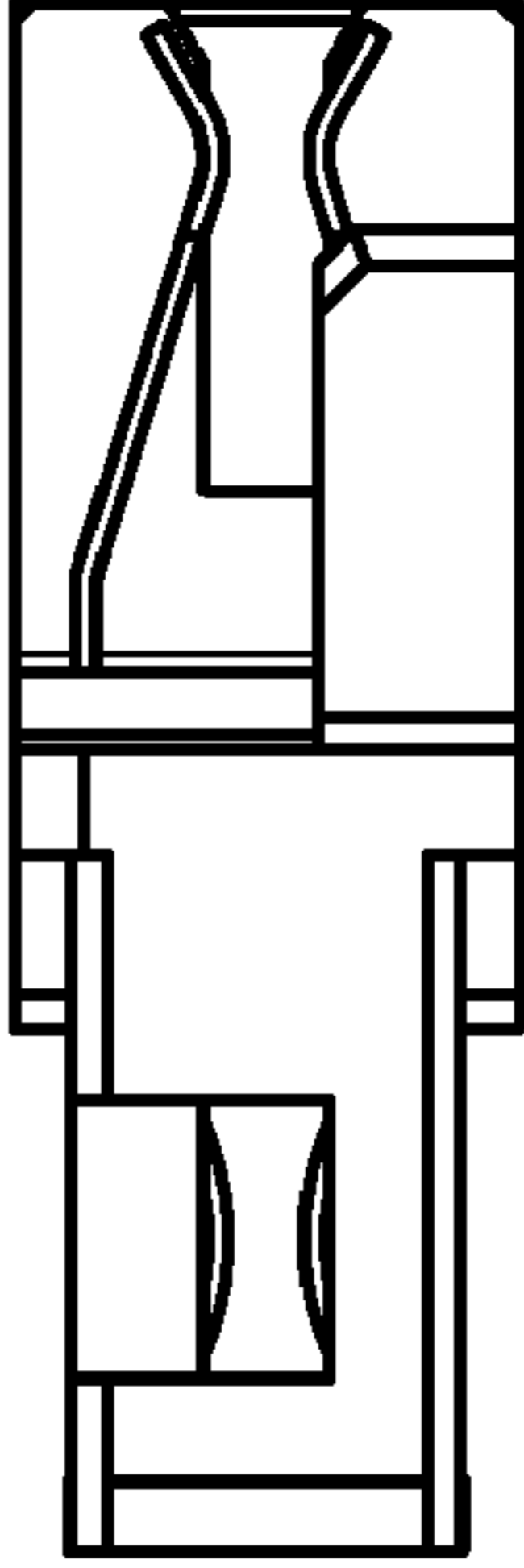


Fig.7

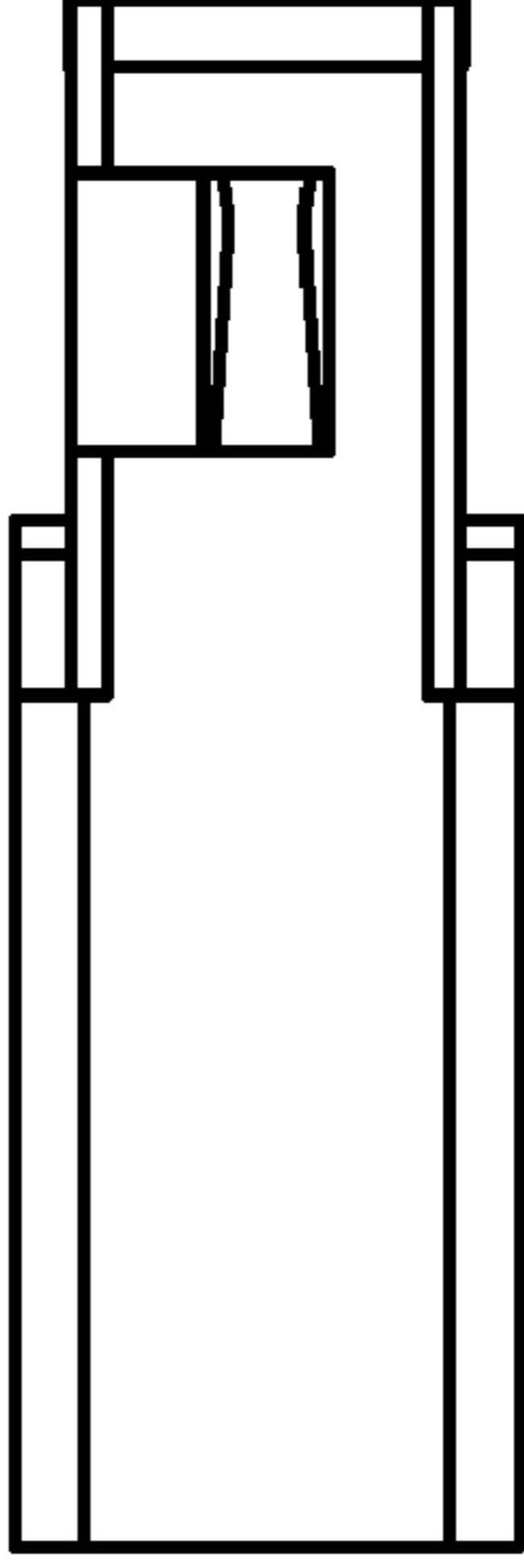


Fig.8