



US00D640199S

(12) **United States Design Patent**  
**Wilson**

(10) **Patent No.:** **US D640,199 S**

(45) **Date of Patent:** **\*\* Jun. 21, 2011**

(54) **POWER OUTLET**

(75) Inventor: **Scott Wilson**, Chicago, IL (US)

(73) Assignee: **Steelcase Inc.**, Grand Rapids, MI (US)

(\*\*) Term: **14 Years**

(21) Appl. No.: **29/359,397**

(22) Filed: **Apr. 9, 2010**

(51) **LOC (9) Cl.** ..... **13-03**

(52) **U.S. Cl.** ..... **D13/139.7**

(58) **Field of Classification Search** ... D13/137.1–137.4,  
D13/139.1–139.8, 160, 162, 164, 178, 184,  
D13/199; 361/118, 119; 439/106–108, 188,  
439/535, 650–654

See application file for complete search history.

D418,815 S	1/2000	Byrne	
D432,499 S *	10/2000	Stekelenburg	..... D13/139.6
D433,994 S	11/2000	Jobs et al.	
D448,365 S	9/2001	Kerestegian et al.	
D459,307 S *	6/2002	Nieto	..... D13/139.8
D462,998 S	9/2002	Slater et al.	
D468,305 S	1/2003	Ma et al.	
D477,636 S	7/2003	Chen	
D479,825 S	9/2003	Hung	
D480,376 S	10/2003	Ma	
D480,427 S	10/2003	Chen	
D481,009 S *	10/2003	Stekelenburg	..... D13/137.4
D481,357 S *	10/2003	Stekelenburg	..... D13/139.8
D482,326 S *	11/2003	Stekelenburg	..... D13/137.4
D482,653 S	11/2003	Cho	
D483,724 S *	12/2003	Wu	..... D13/139.7
D492,279 S	6/2004	Lee	
D494,633 S	8/2004	Nussberger et al.	
D504,122 S	4/2005	Zeitman	
D504,123 S	4/2005	Katsuraku	

(Continued)

(56) **References Cited**

**U.S. PATENT DOCUMENTS**

D78,966 S *	7/1929	Conner	..... D13/139.7
D118,411 S	1/1940	Dolgorukov	
D122,497 S *	9/1940	McCarthy	..... D13/139.4
D244,550 S	5/1977	Zuroski	
D274,048 S	5/1984	Wong et al.	
D300,678 S	4/1989	Barrault	
D311,213 S	10/1990	Ancona et al.	
D323,853 S	2/1992	Evenson	
D331,225 S	11/1992	Mooneyhan	
D336,703 S	6/1993	Mason, Jr. et al.	
D342,281 S	12/1993	Lin	
D350,727 S	9/1994	Landry et al.	
D358,364 S	5/1995	Siddoway	
D359,052 S	6/1995	Nagele et al.	
D372,146 S	7/1996	Svee	
D381,315 S *	7/1997	Harold	..... D13/139.4
5,705,772 A *	1/1998	Brown	..... 174/487
D391,943 S	3/1998	Han	
D391,944 S	3/1998	Han	
5,793,352 A	8/1998	Greenberg et al.	
D408,355 S *	4/1999	Welsh et al.	..... D13/139.4
D409,980 S	5/1999	Byrne	

*Primary Examiner* — Rosemary K Tarcza

(74) *Attorney, Agent, or Firm* — Quarles & Brady LLP

(57) **CLAIM**

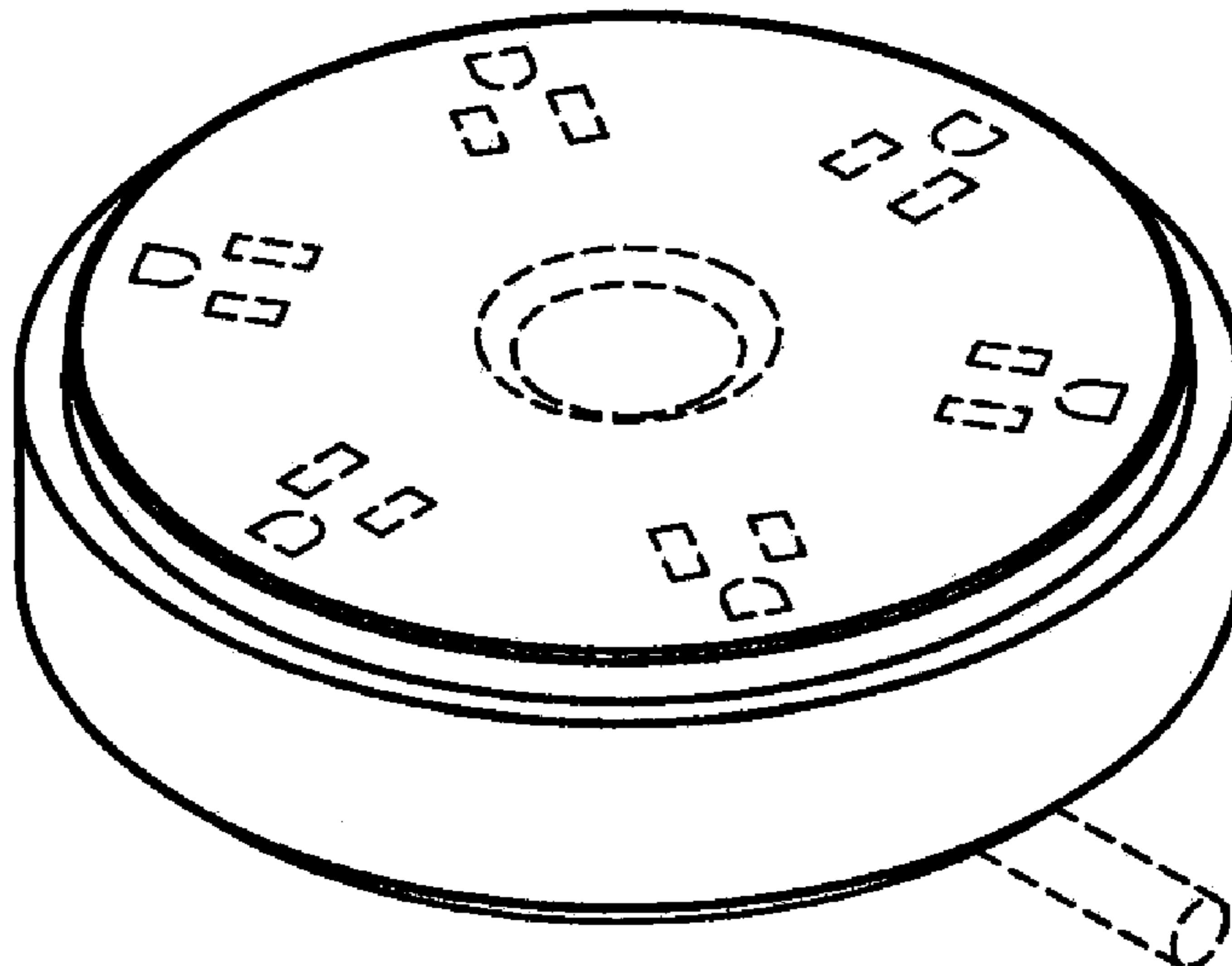
The ornamental design for a power outlet, as shown and described.

**DESCRIPTION**

FIG. 1 is a right, top, front perspective view of a power outlet embodying my new design;  
 FIG. 2 is a front elevational view thereof;  
 FIG. 3 is a right side elevational view thereof;  
 FIG. 4 is a rear elevational view thereof;  
 FIG. 5 is a left side elevational view thereof;  
 FIG. 6 is a top plan view thereof; and,  
 FIG. 7 is a bottom plan view thereof.

The broken line representations in the figures are for the purpose of illustration only, and form no part of the claimed design.

**1 Claim, 2 Drawing Sheets**



# US D640,199 S

Page 2

---

## U.S. PATENT DOCUMENTS

D508,458 S	8/2005	Solland et al.	D553,123 S	10/2007	Solland
D511,546 S	11/2005	Trombly	D555,651 S	11/2007	Pascucci
D512,718 S	12/2005	Mori et al.	D561,732 S	2/2008	Motoishi
D516,031 S	2/2006	Han et al.	D567,558 S	4/2008	Rubin
D518,016 S	3/2006	Hirano	D568,304 S	5/2008	Park
D519,504 S	4/2006	Tagliabue et al.	D572,662 S *	7/2008	Haber ..... D13/139.8
D519,918 S	5/2006	Wilson et al.	D575,289 S	8/2008	Kuo et al.
D520,448 S	5/2006	Lodato et al.	D577,009 S	9/2008	Wilson et al.
D522,995 S	6/2006	Iijima	D589,046 S	3/2009	Pascucci
D525,234 S	7/2006	Yokoyama	D591,678 S	5/2009	Whitley et al.
D542,786 S	5/2007	Karlsson et al.	D594,404 S	6/2009	Kuo et al.
D546,283 S	7/2007	Cho	D598,003 S	8/2009	Park
D546,607 S	7/2007	Dretzka	D601,150 S	9/2009	Romero

\* cited by examiner

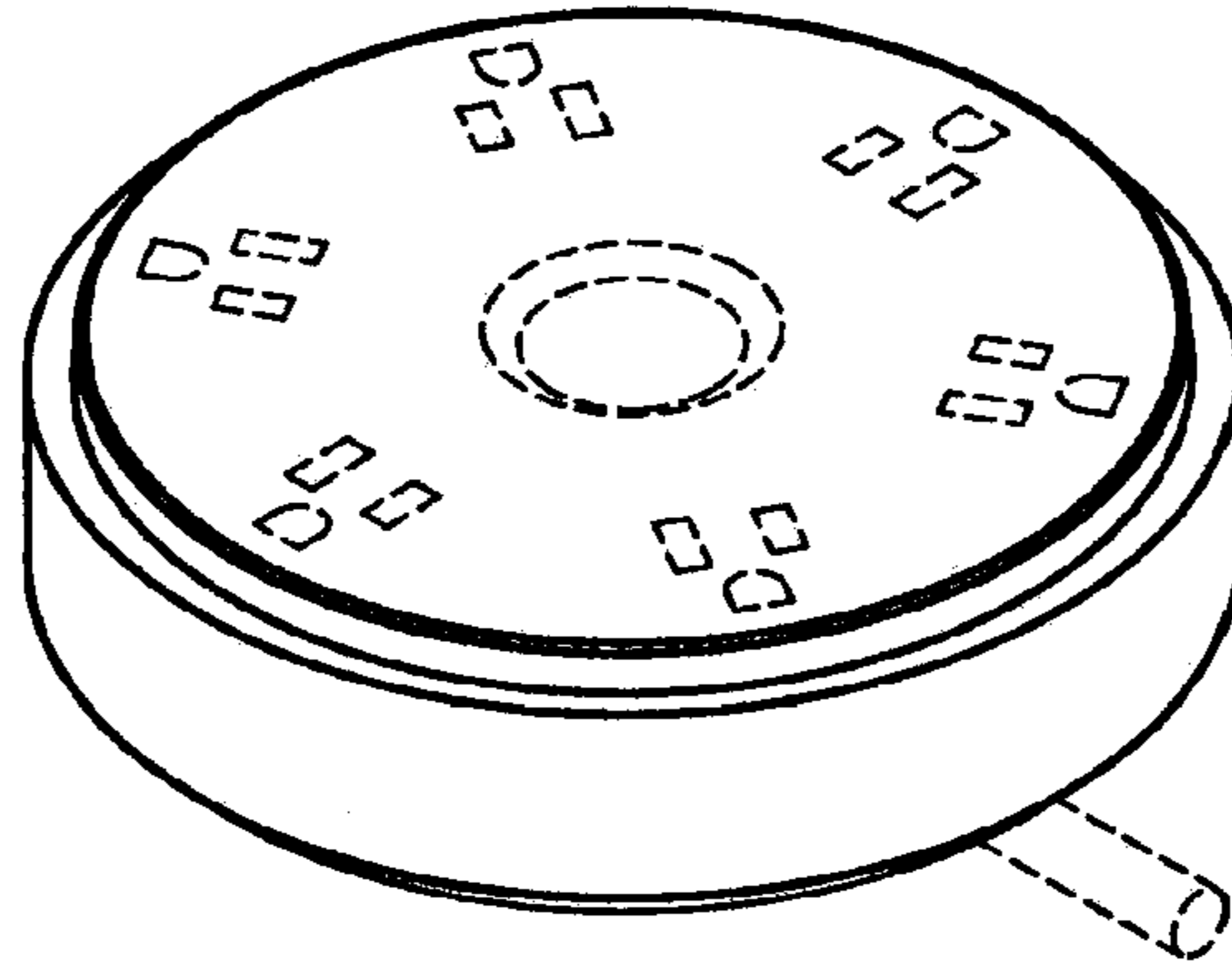


FIG. 1

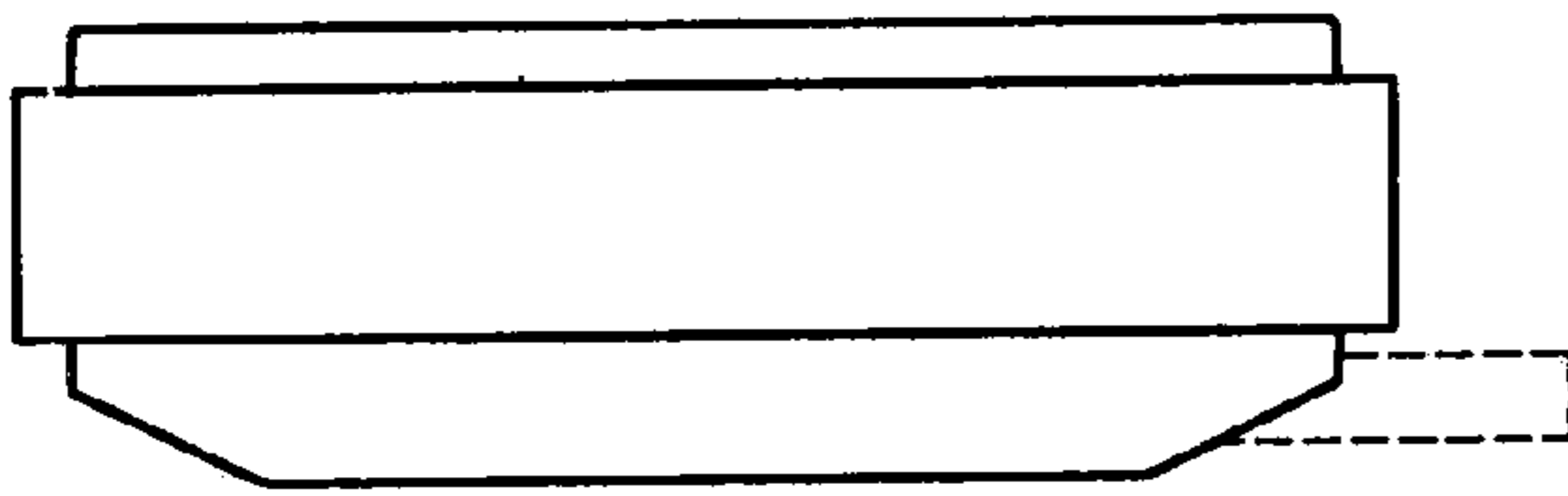


FIG. 2

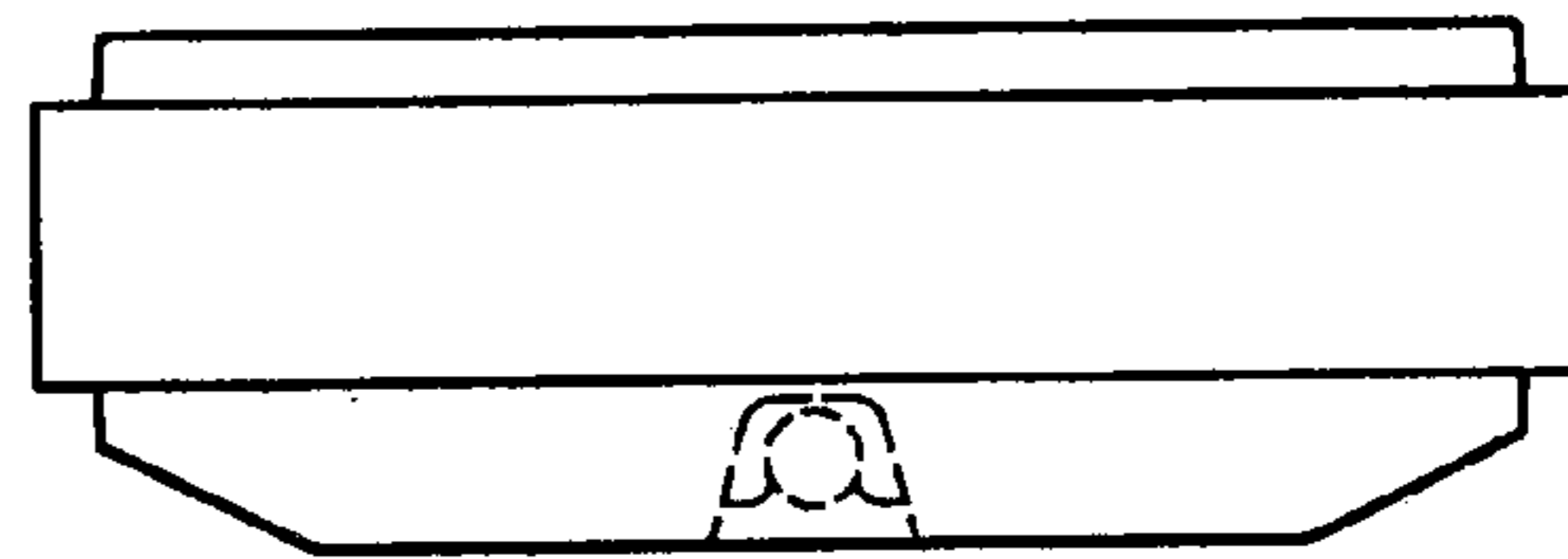


FIG. 3

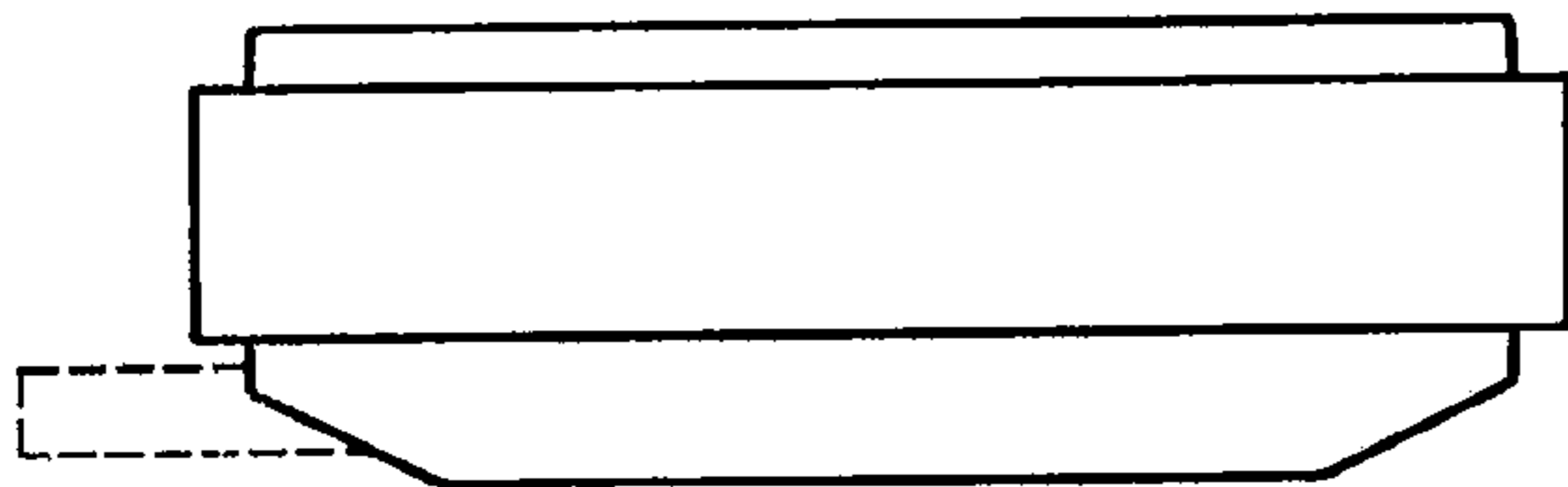


FIG. 4

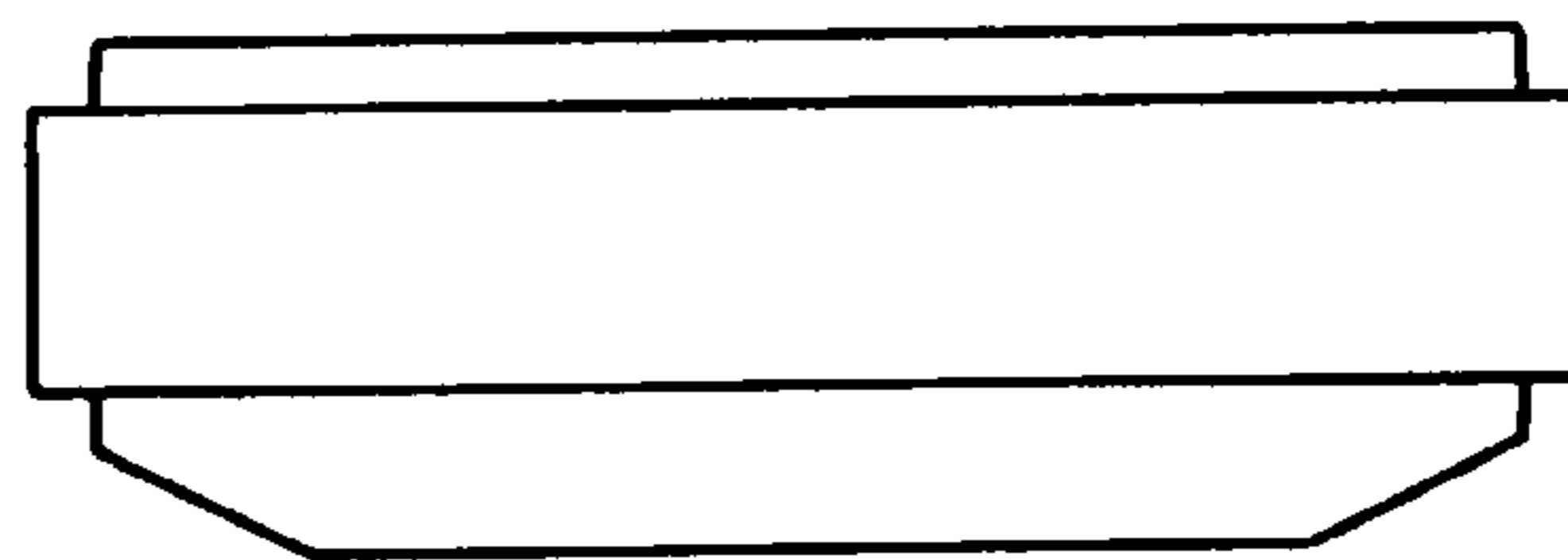


FIG. 5

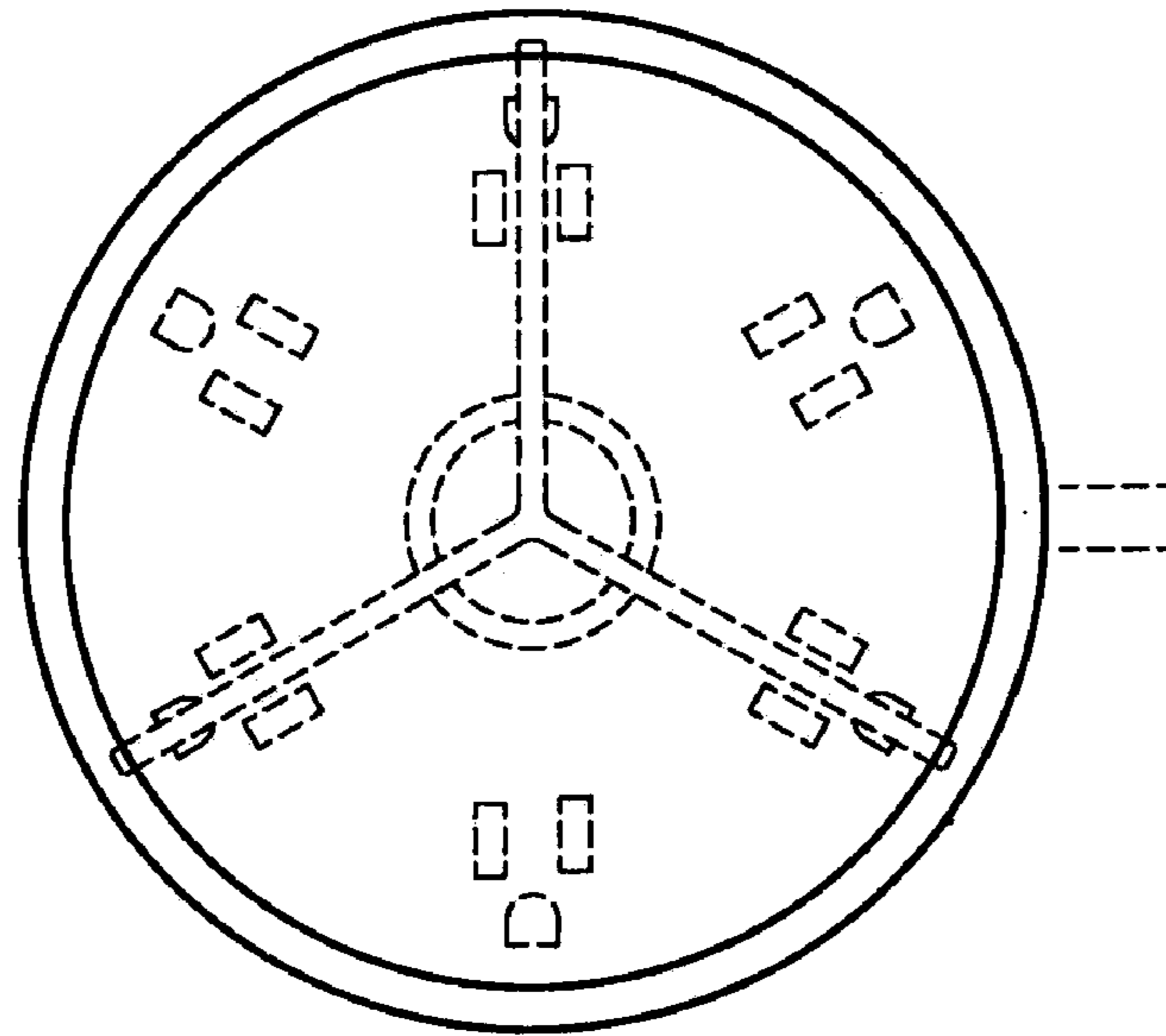


FIG. 6

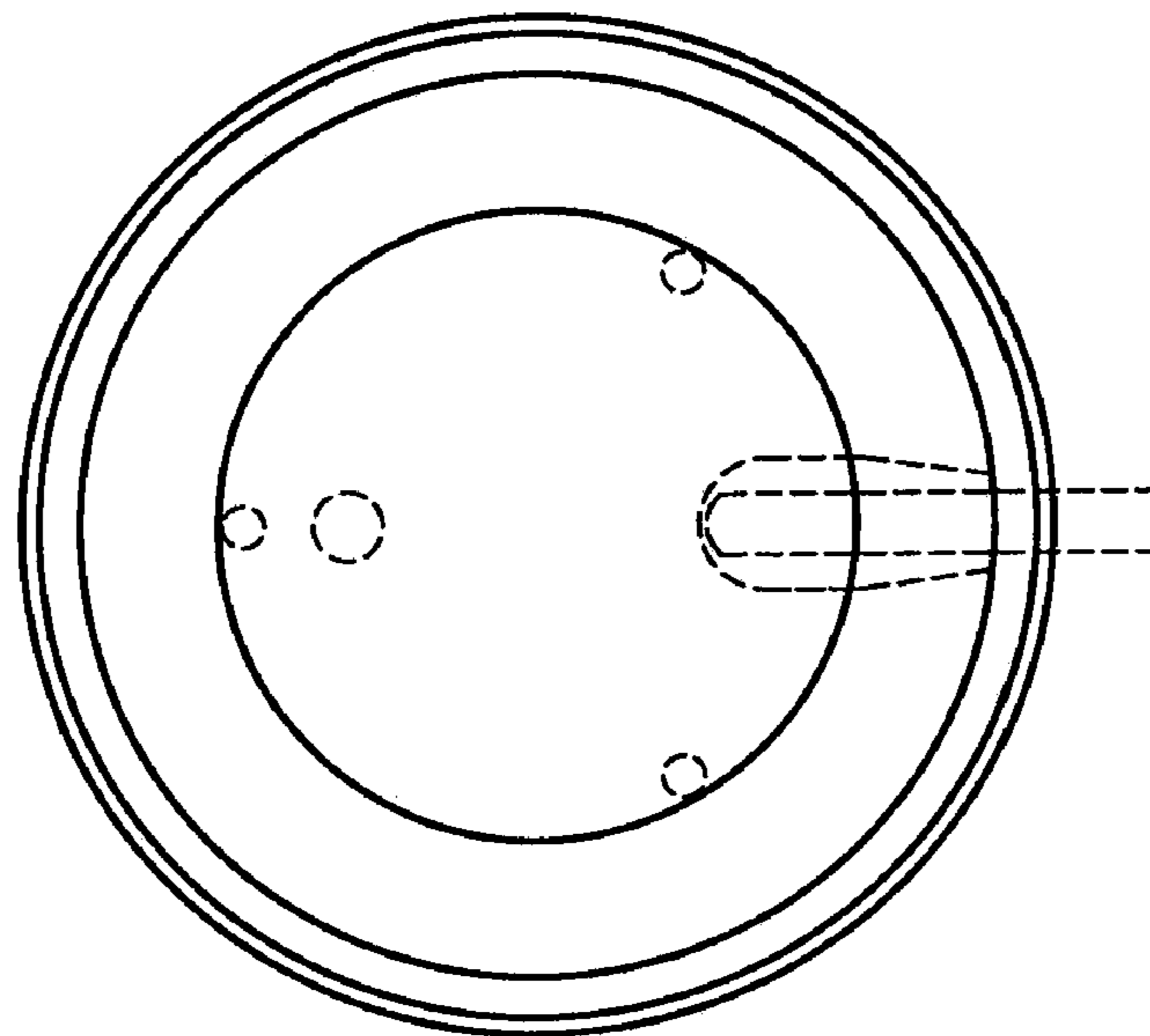


FIG. 7