



US00D640194S

(12) **United States Design Patent**
Kim et al.

(10) **Patent No.:** **US D640,194 S**

(45) **Date of Patent:** **** Jun. 21, 2011**

(54) **CHARGER FOR VACUUM CLEANER**

(75) Inventors: **Joo Hyung Kim**, Seoul (KR); **Dae Kyun Lee**, Seoul (KR)

(73) Assignee: **Samsung Electronics Co., Ltd.**, Suwon-Si (KR)

(**) Term: **14 Years**

(21) Appl. No.: **29/366,263**

(22) Filed: **Jul. 22, 2010**

(51) **LOC (9) Cl.** **13-02**

(52) **U.S. Cl.** **D13/108; D32/31**

(58) **Field of Classification Search** D13/107–110, D13/118–119, 184, 199; D32/25, 31; 320/107–115; 15/300.1, 344–345, 323; D14/251, 253, D14/432, 434

See application file for complete search history.

(56) **References Cited**

U.S. PATENT DOCUMENTS

D308,267 S *	5/1990	Bradd	D32/31
D335,861 S *	5/1993	Tattari	D13/108
D455,397 S *	4/2002	Weiner et al.	D13/108
D462,950 S *	9/2002	Waffensmith et al.	D14/251
D549,232 S *	8/2007	Li et al.	D14/447

D559,484 S *	1/2008	Fjellman	D32/31
D559,485 S *	1/2008	Fjellman	D32/31
D566,352 S *	4/2008	Ågren et al.	D32/31
D597,939 S *	8/2009	Tkachuk	D13/108
D628,961 S *	12/2010	Kim et al.	D13/108

* cited by examiner

Primary Examiner — Rosemary K Tarcza

(74) *Attorney, Agent, or Firm* — Ladas & Parry LLP

(57) **CLAIM**

The ornamental design for a charger for vacuum cleaner, as shown and described.

DESCRIPTION

FIG. 1 is a front/right-side/top perspective view of a charger for vacuum cleaner our new design; FIG. 2 is a front-side elevational view thereof; FIG. 3 is a rear-side elevational view thereof; FIG. 4 is a left-side elevational view thereof; FIG. 5 is a right-side elevational view thereof; FIG. 6 is a top-side elevational view thereof; and, FIG. 7 is a bottom-side elevational view thereof.

The broken lines shown in the drawings are included for the purpose of illustrating unclaimed portions of the charger for vacuum cleaner and form no part of the claimed design.

1 Claim, 7 Drawing Sheets

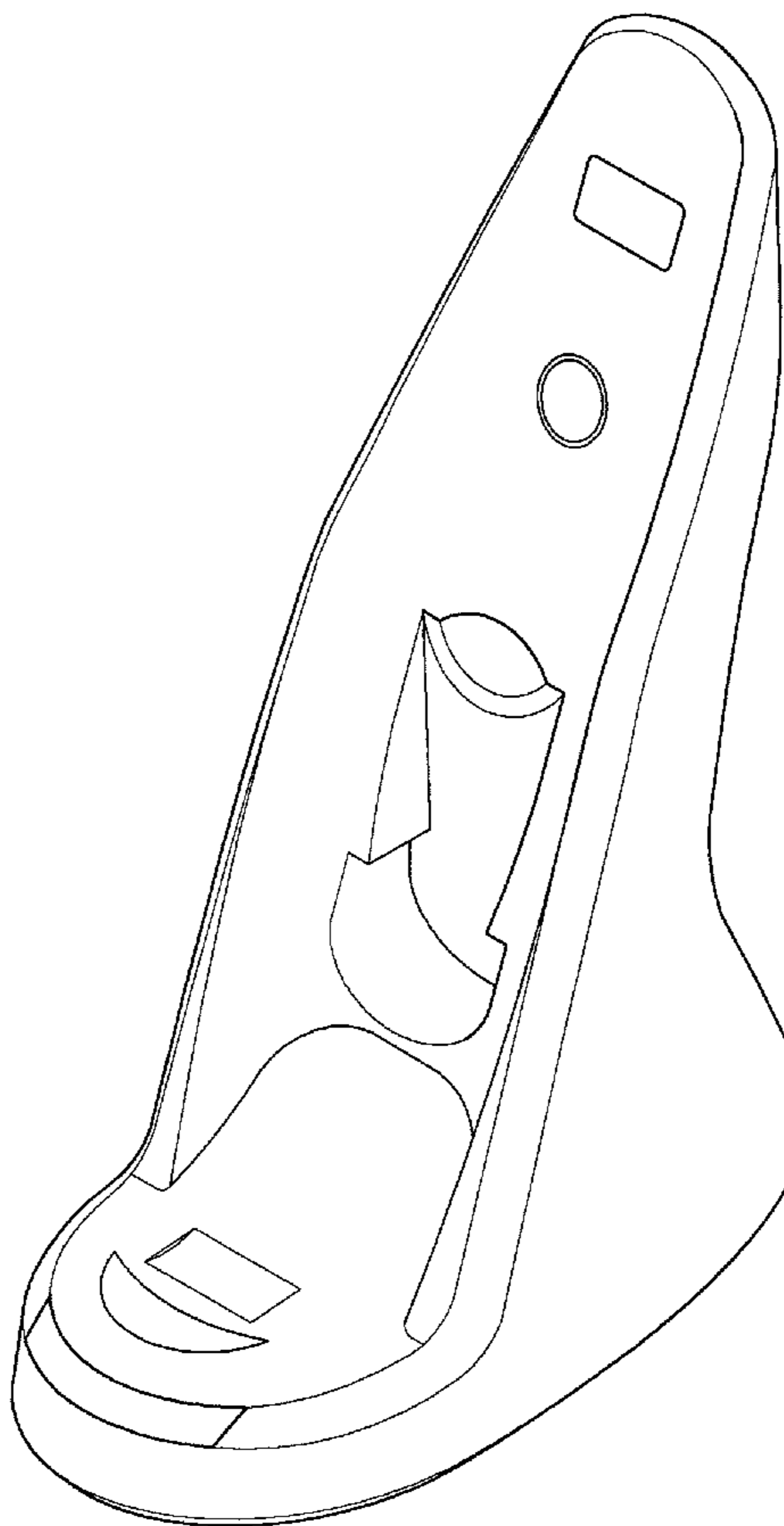


FIG. 1

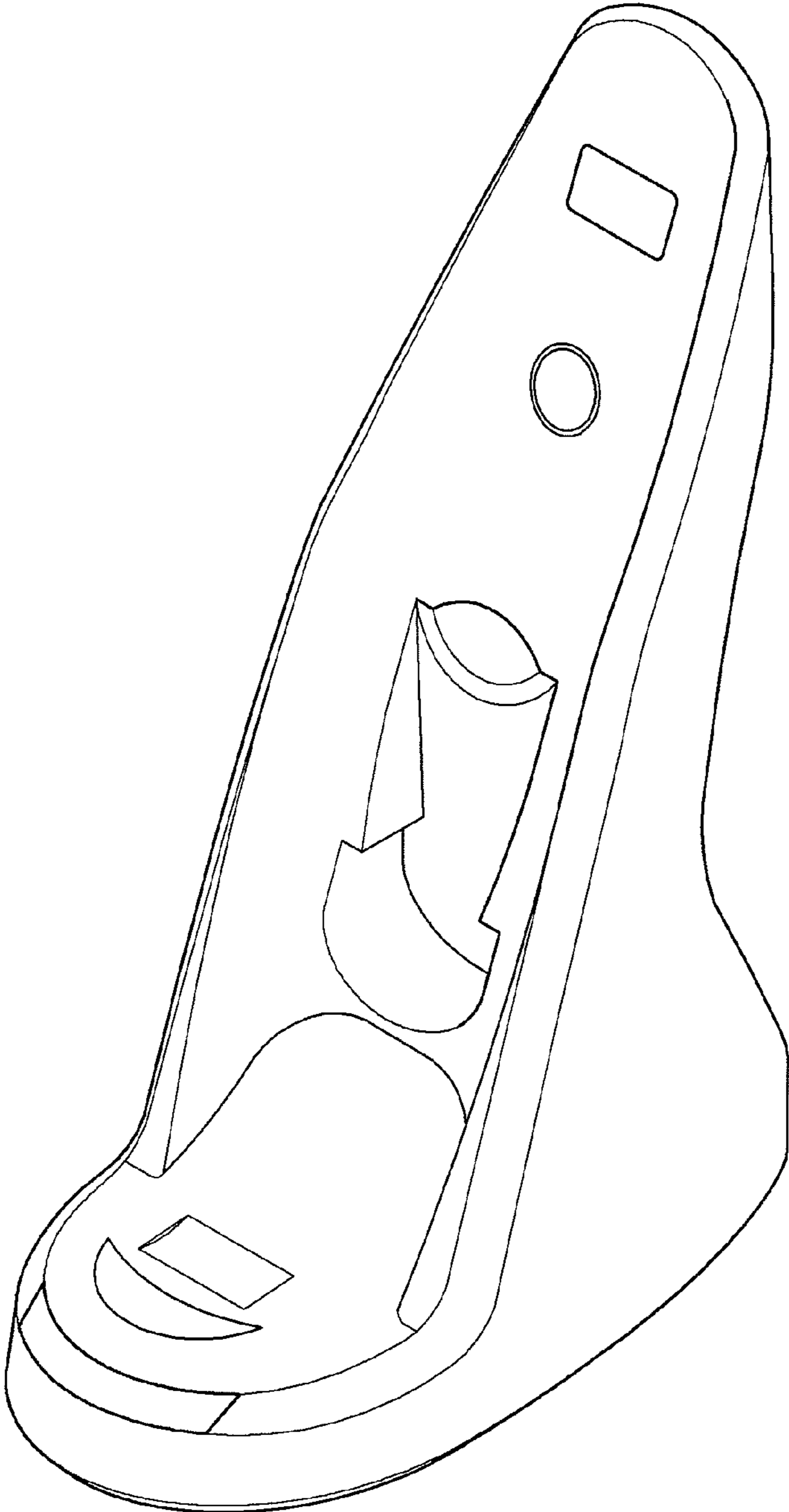


FIG. 2

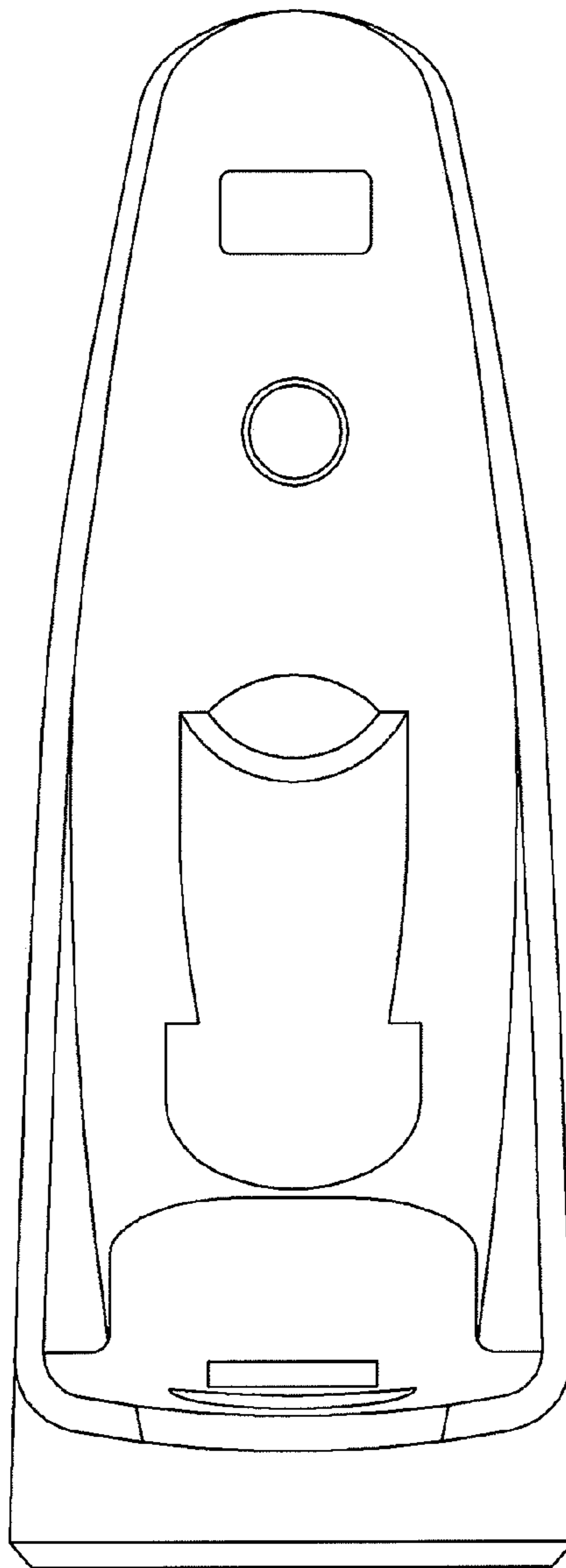


FIG. 3

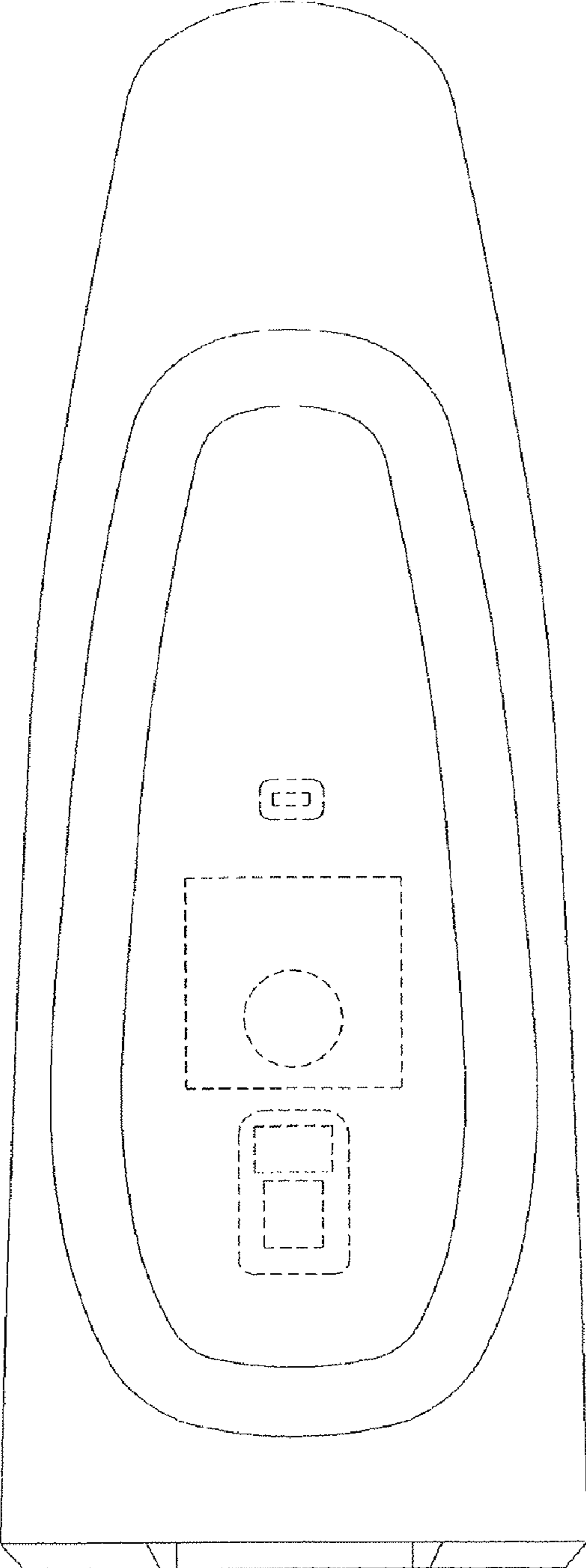


FIG. 4

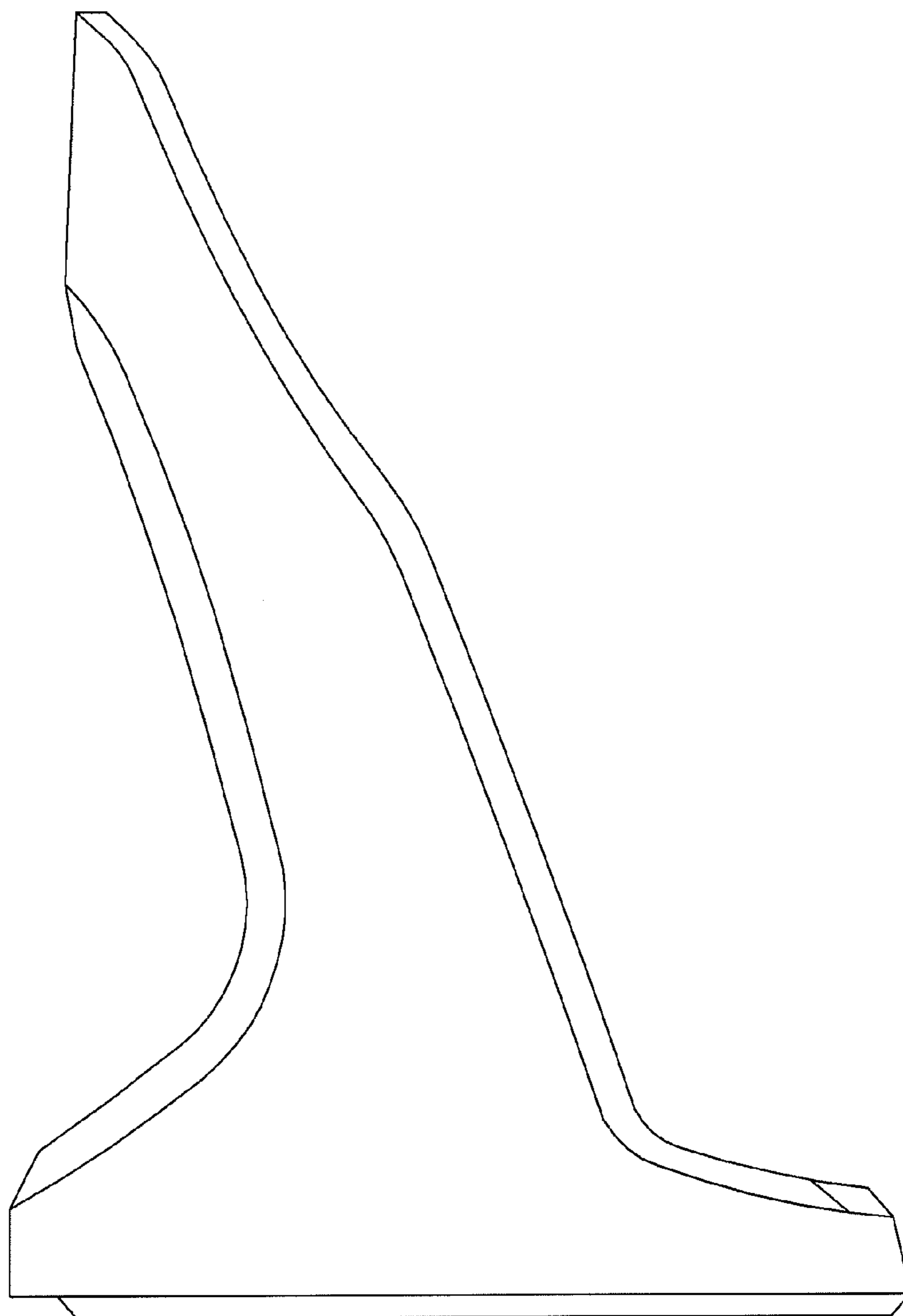


FIG. 5

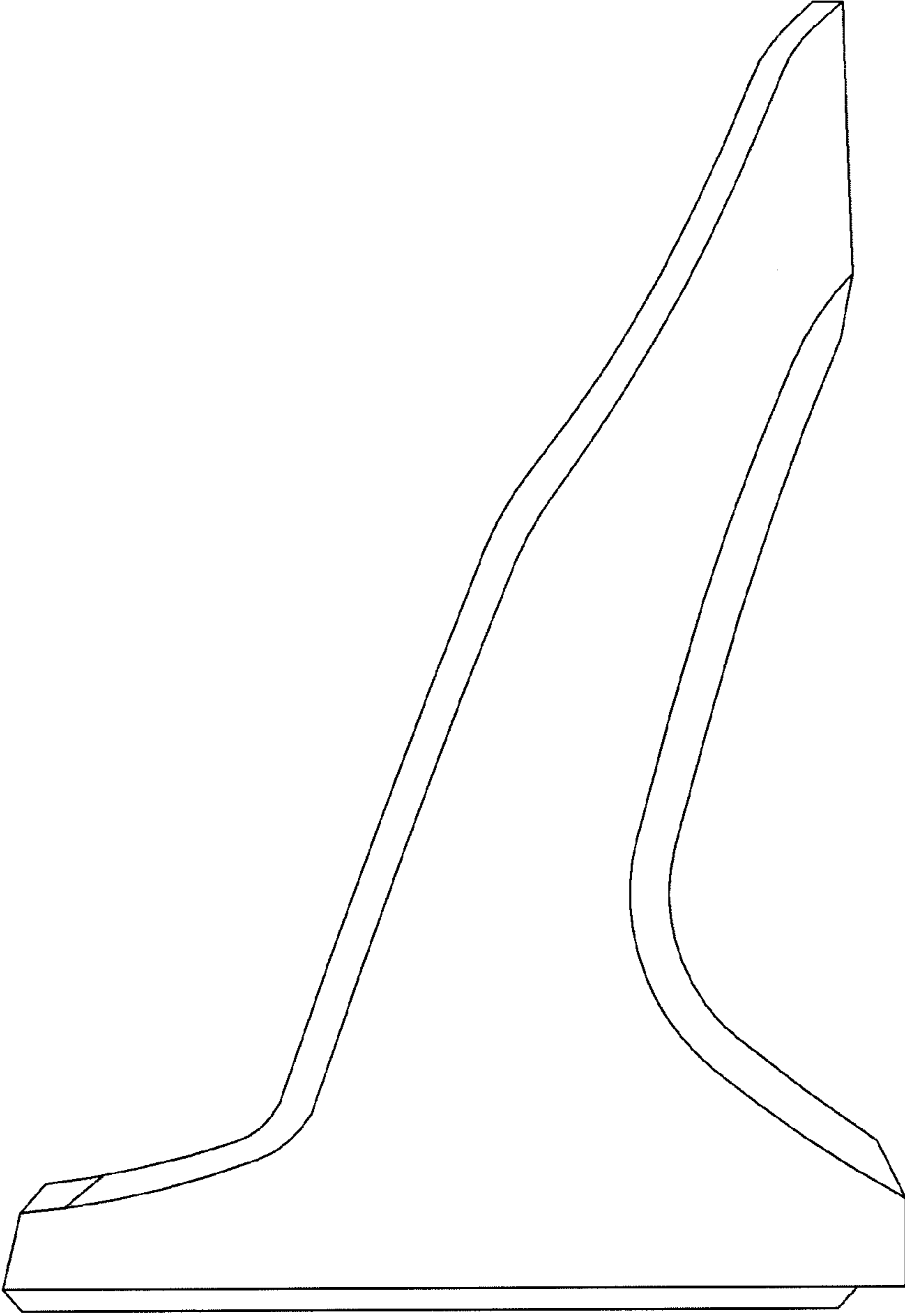


FIG. 6

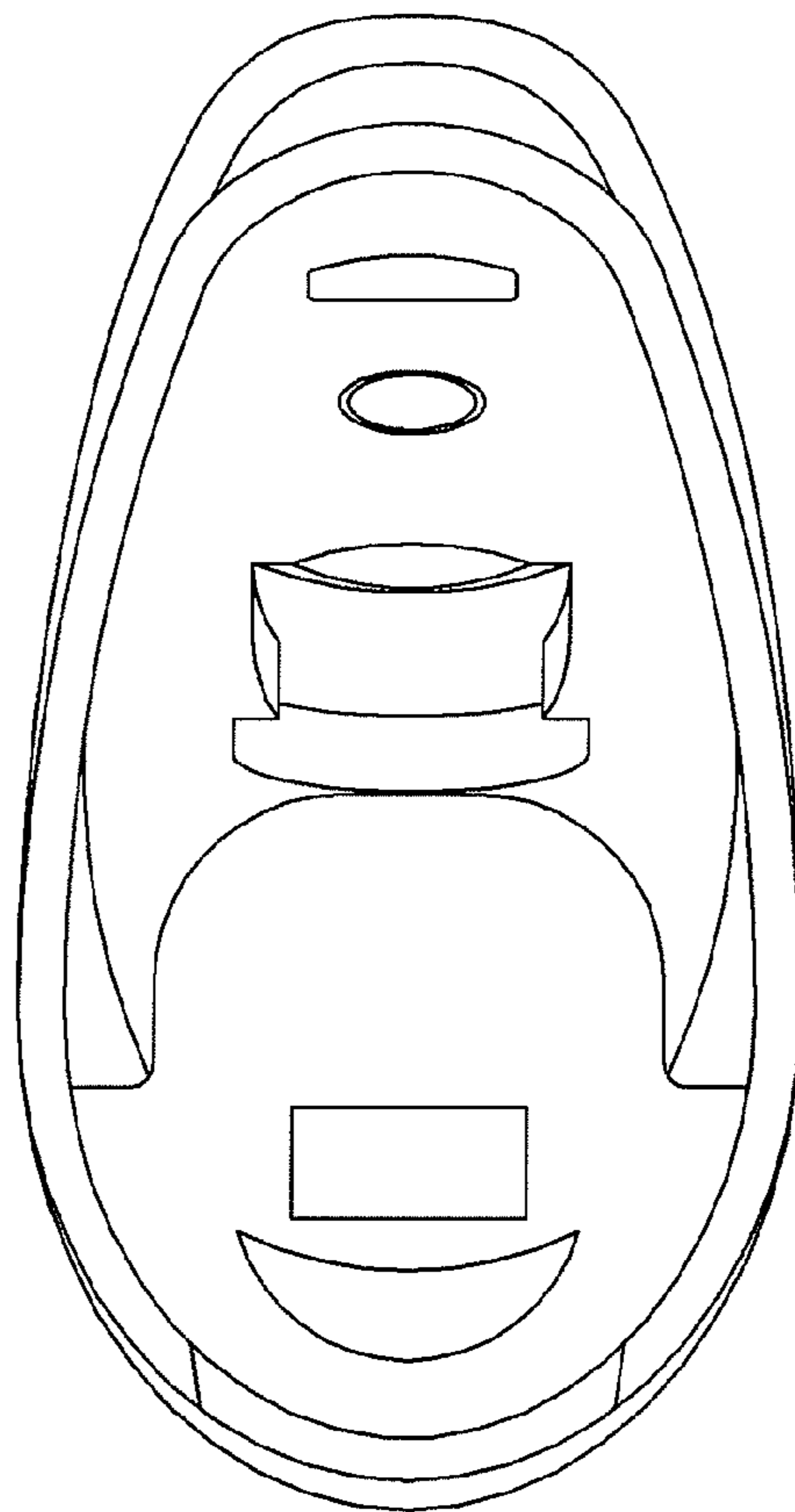


FIG. 7

