



US00D640192S

(12) **United States Design Patent**
Robinson et al.

(10) **Patent No.:** **US D640,192 S**

(45) **Date of Patent:** **** Jun. 21, 2011**

(54) **PORTABLE POWER MANAGER ENCLOSURE**

(75) Inventors: **Philip T. Robinson**, Harvard, MA (US);
Matthew P. Steinbroner, North Grafton,
MA (US)

(73) Assignee: **Protonex Technology Corporation**,
Southborough, MA (US)

(**) Term: **14 Years**

(21) Appl. No.: **29/363,833**

(22) Filed: **Jun. 15, 2010**

(51) **LOC (9) Cl.** **13-03**

(52) **U.S. Cl.** **D13/107; D13/103**

(58) **Field of Classification Search** D13/103,
D13/107, 162; 307/150; 320/107, 128, 137,
320/162, 164; 323/297, 300; 713/300
See application file for complete search history.

(56) **References Cited**

U.S. PATENT DOCUMENTS

4,331,883	A *	5/1982	Vitaloni	307/150
4,620,111	A *	10/1986	McArthur et al.	307/150
5,019,767	A *	5/1991	Shirai et al.	320/112
D321,168	S *	10/1991	Usami	D13/107
5,939,858	A *	8/1999	Dodd et al.	320/107
6,137,280	A	10/2000	Ackermann et al.	
6,326,764	B1 *	12/2001	Virtudes	320/101
6,376,938	B1 *	4/2002	Williams	307/150
6,784,570	B1 *	8/2004	Walls et al.	307/150
D541,214	S *	4/2007	Ino et al.	D13/107
7,247,954	B1 *	7/2007	Dowdle	307/150
7,814,348	B2	10/2010	Krajcovic et al.	
2005/0200206	A1 *	9/2005	Hussaini et al.	307/150
2006/0071558	A1	4/2006	Smith	
2008/0258677	A1 *	10/2008	Lee	320/101
2009/0327768	A1 *	12/2009	Chen	713/300

OTHER PUBLICATIONS

Greg Cipriano & Phil Robinson, "Joint Service Power Expo" (May 7, 2009).

"Soldier-worn portable power management system," Energy Harvesting Journal (Apr. 21, 2009).

Smart Fuel Cell, Press Release, "SFC Smart Fuel Cell Launches Joint Power Manager" (Jun. 4, 2009).

Kyle Sherer, "Protonex Soldier-Worn portable power management systems," Gizmag (Feb. 22, 2009), available at <http://www.gizmag.com/protonex-power-management/11063/>.

eMarine Systems, "Battery Charge Controllers for Solar PV Systems", Jun. 19, 2009.

Reserve Power Cell, "Intellicell Technology Platform", Nov. 3, 2007.

Direct Industry, "SFC Smart Fuel Cell Launches Joint Power Manager", Jun. 19, 2009.

SFC, Power Manager, "The SFC Power Manager—The technology", Feb. 20, 2009.

* cited by examiner

Primary Examiner — Selina Sikder

(74) *Attorney, Agent, or Firm* — Edwards Angell Palmer & Dodge LLP; Christine C. O'Day; Brian R. Landry

(57) **CLAIM**

We claim the ornamental design for a portable power manager enclosure, as shown and described.

DESCRIPTION

FIG. 1 is a perspective view of the top, front, and left side of a portable power manager enclosure showing the new design; FIG. 2 is a top view thereof;

FIG. 3 is a left side view thereof;

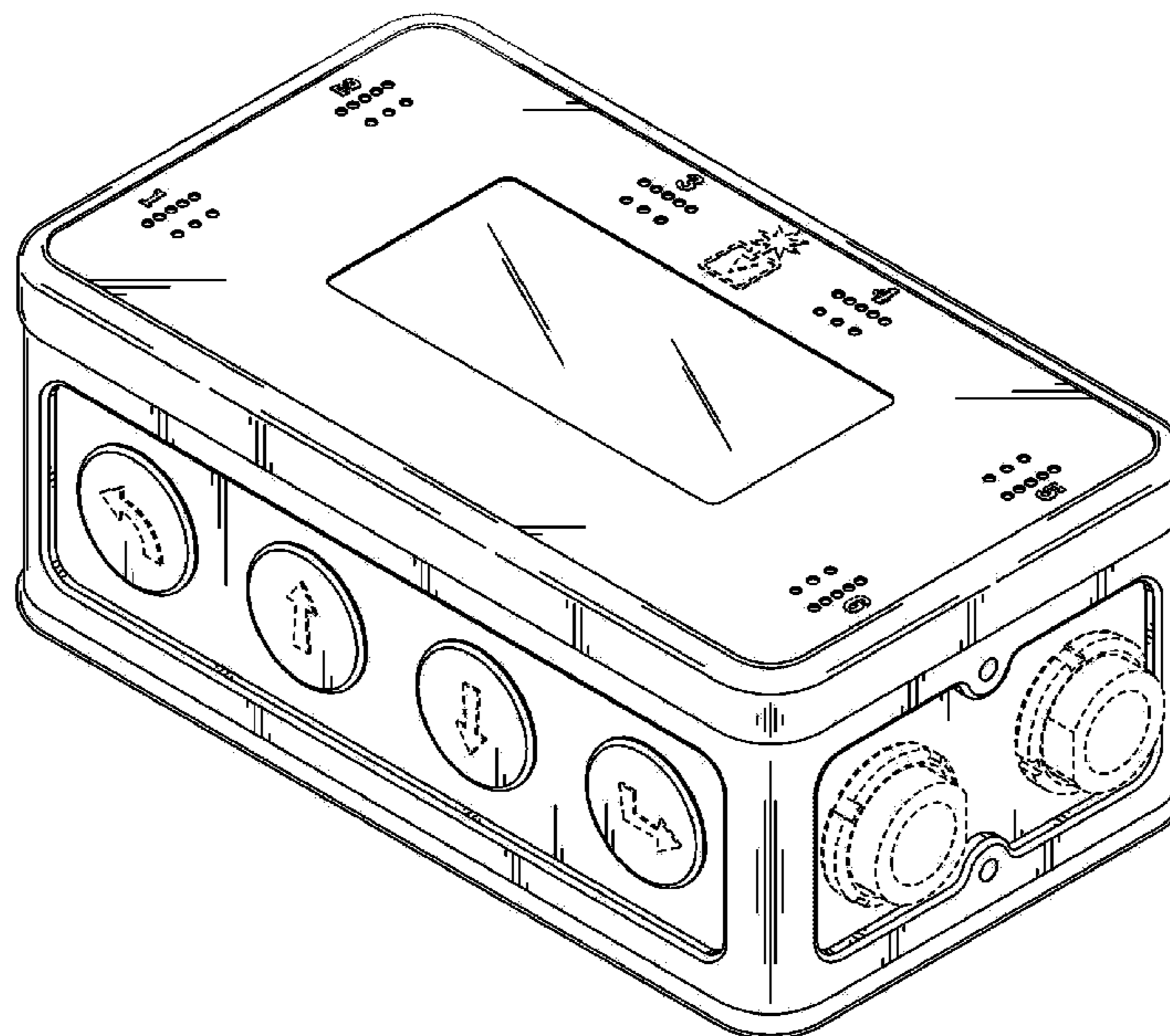
FIG. 4 is a front view thereof;

FIG. 5 is a right side view thereof; and,

FIG. 6 is a bottom view thereof.

The broken lines define portions of the portable power manager enclosure that form no part of the claimed design.

1 Claim, 6 Drawing Sheets



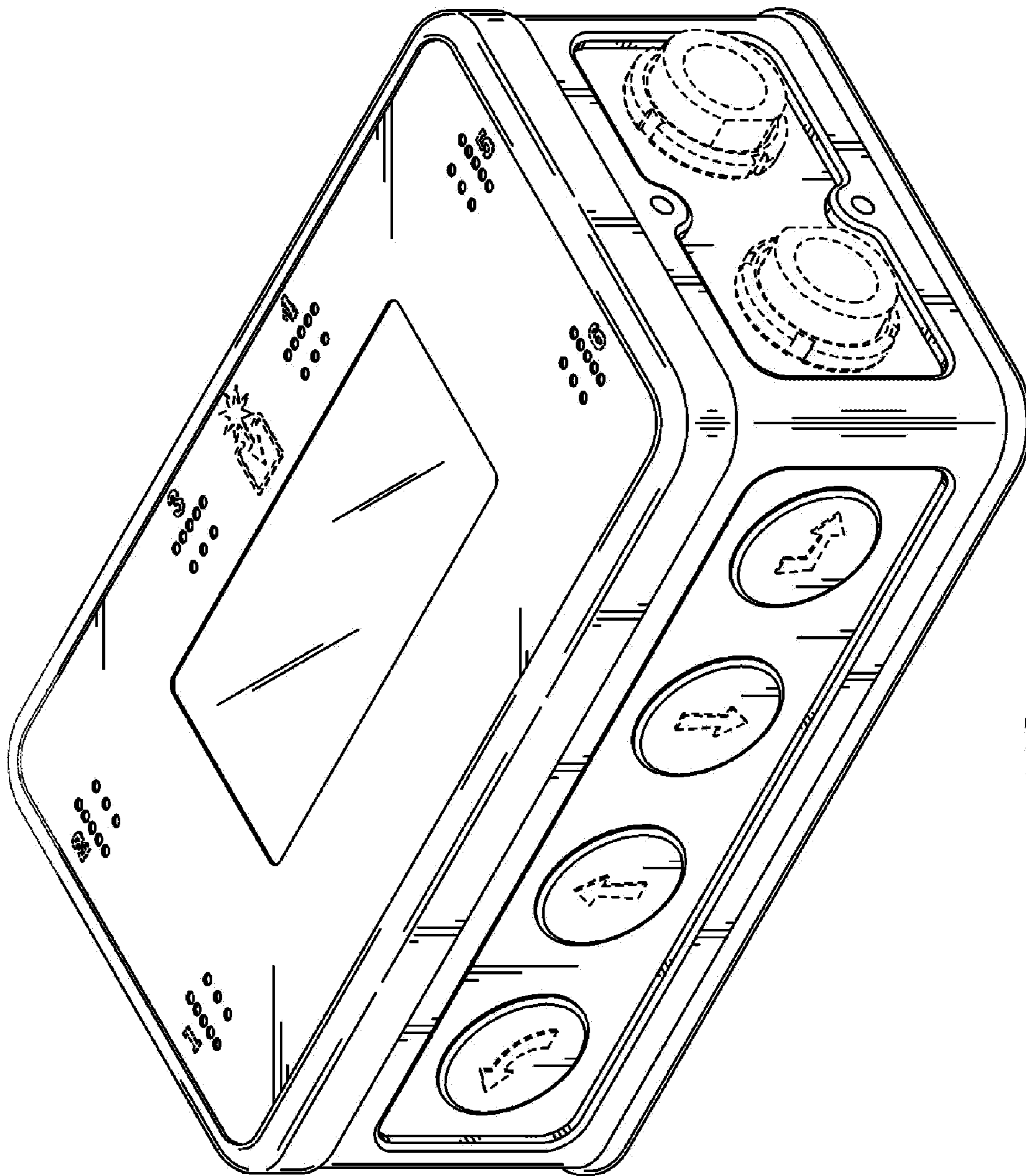


FIG. 1

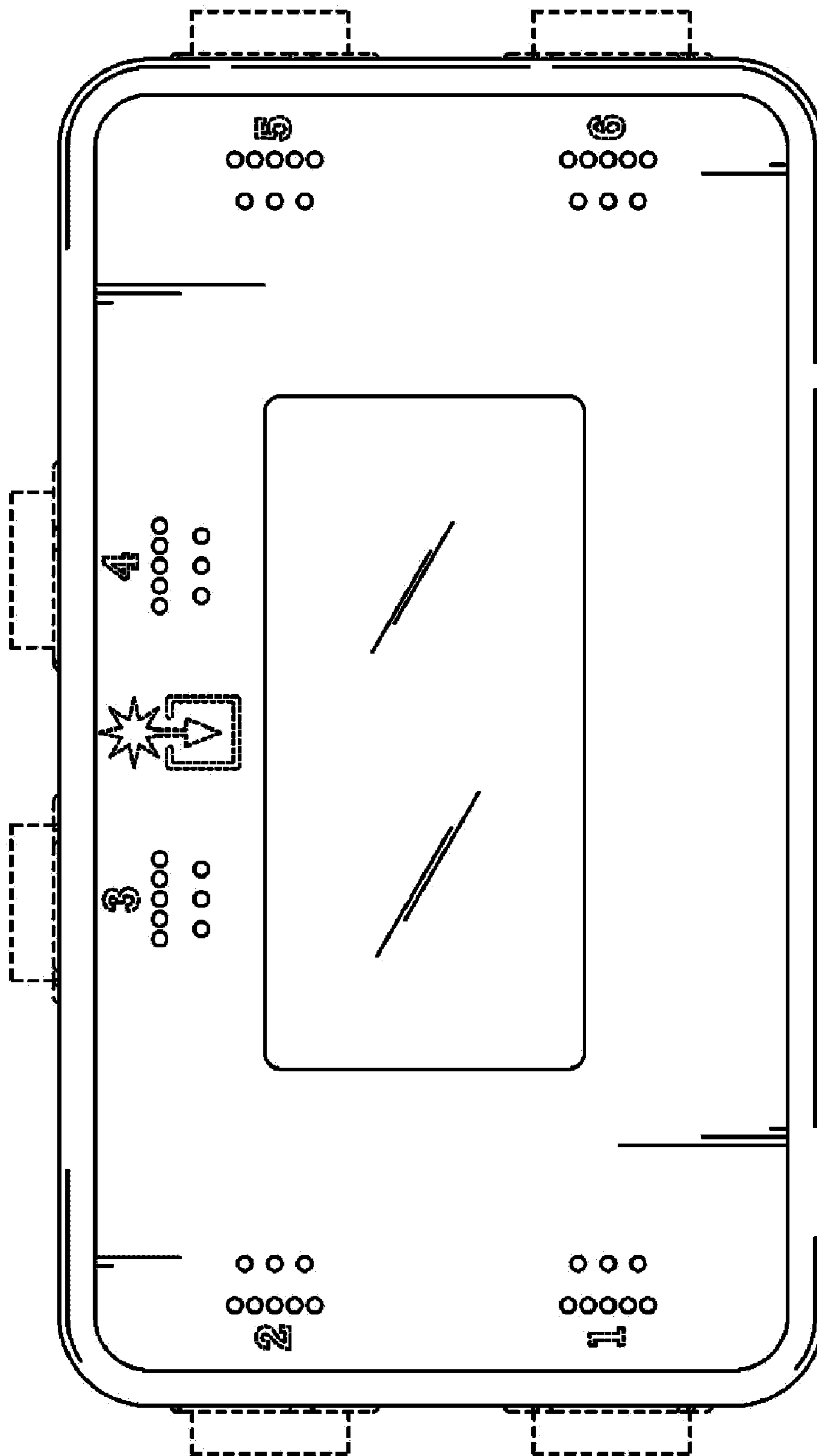


FIG. 2

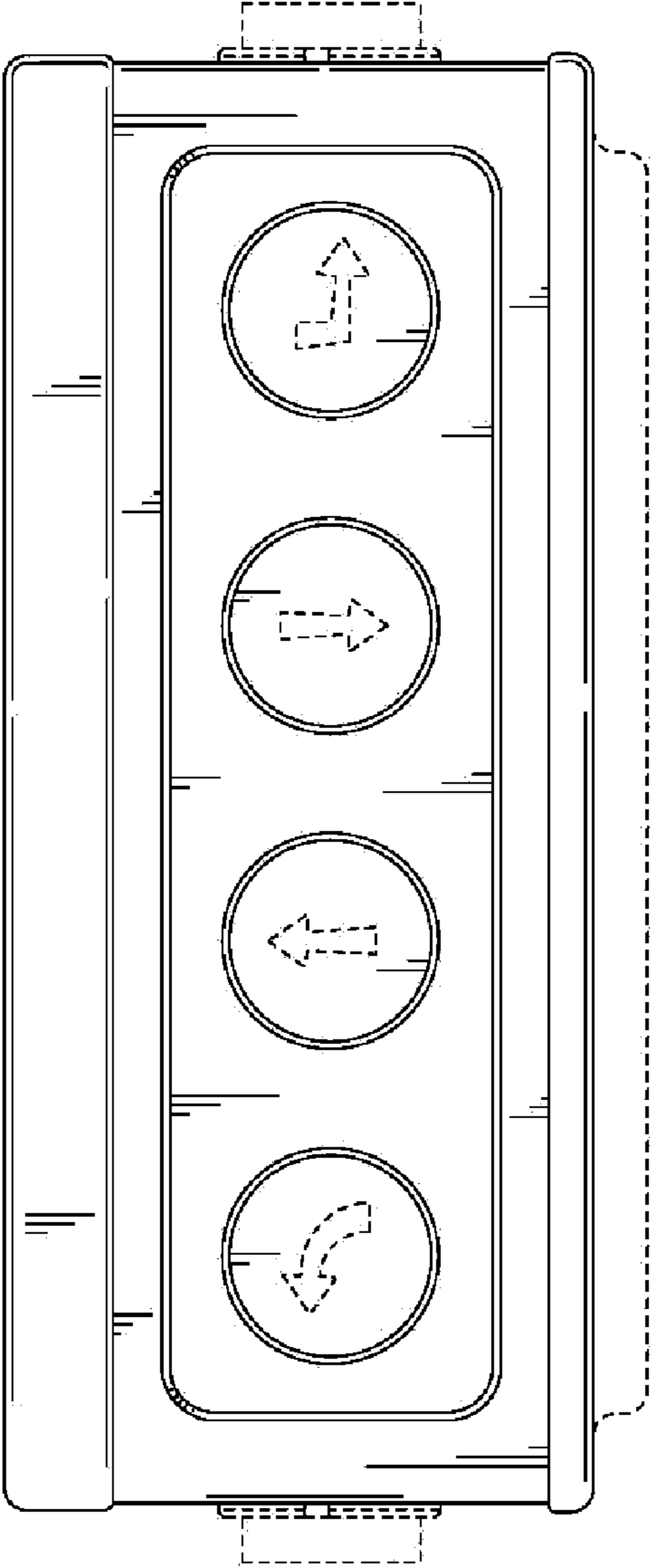


FIG. 3

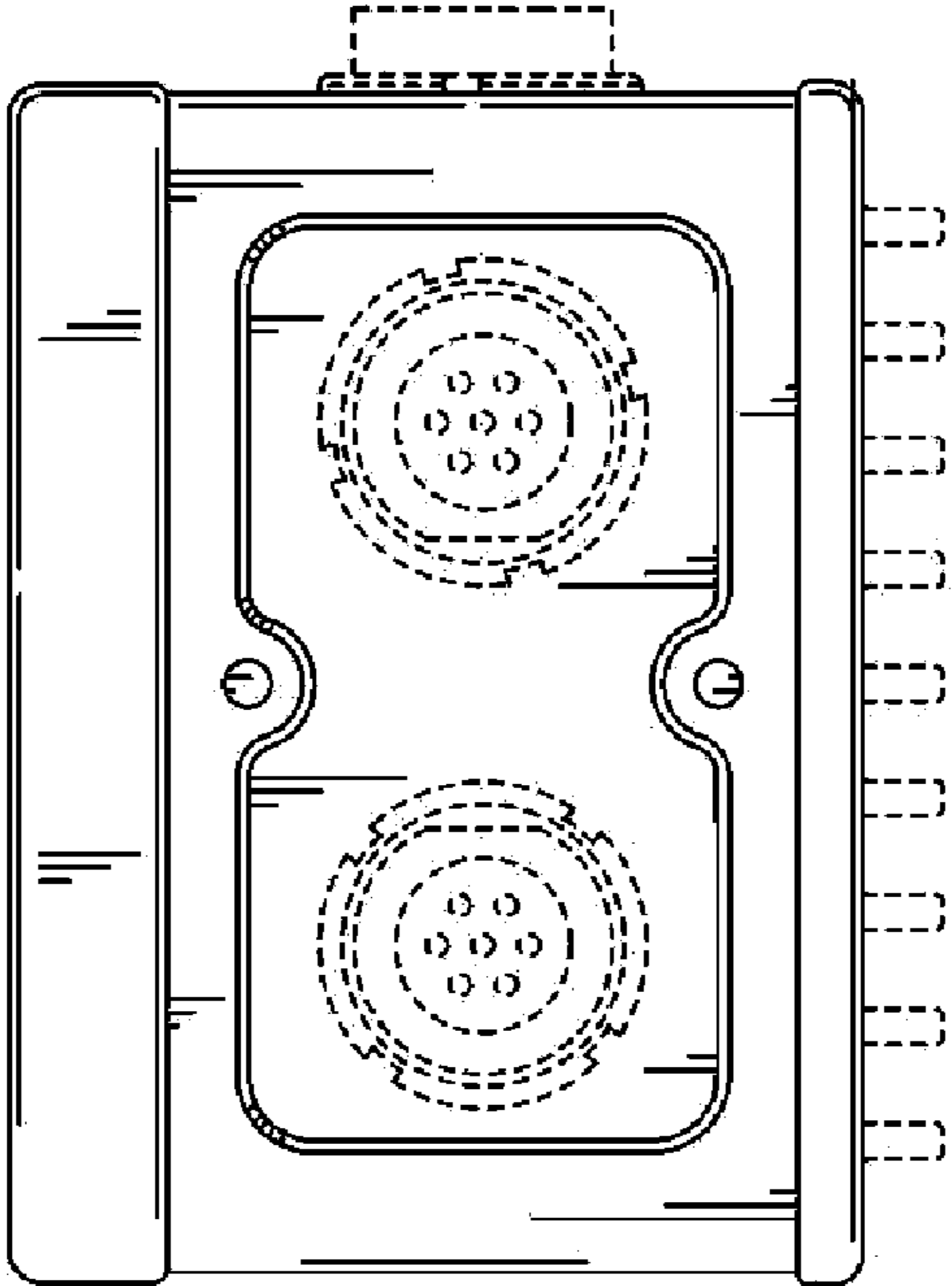


FIG. 4

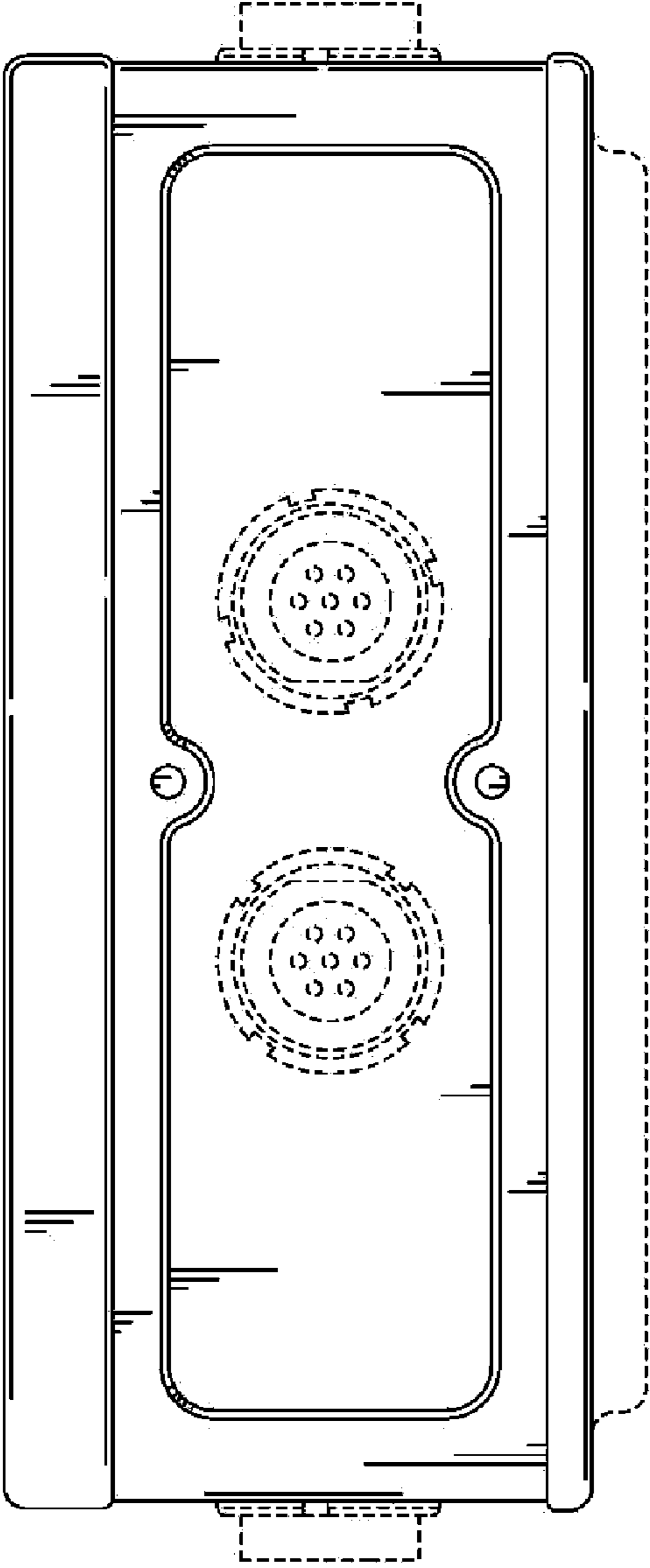


FIG. 5

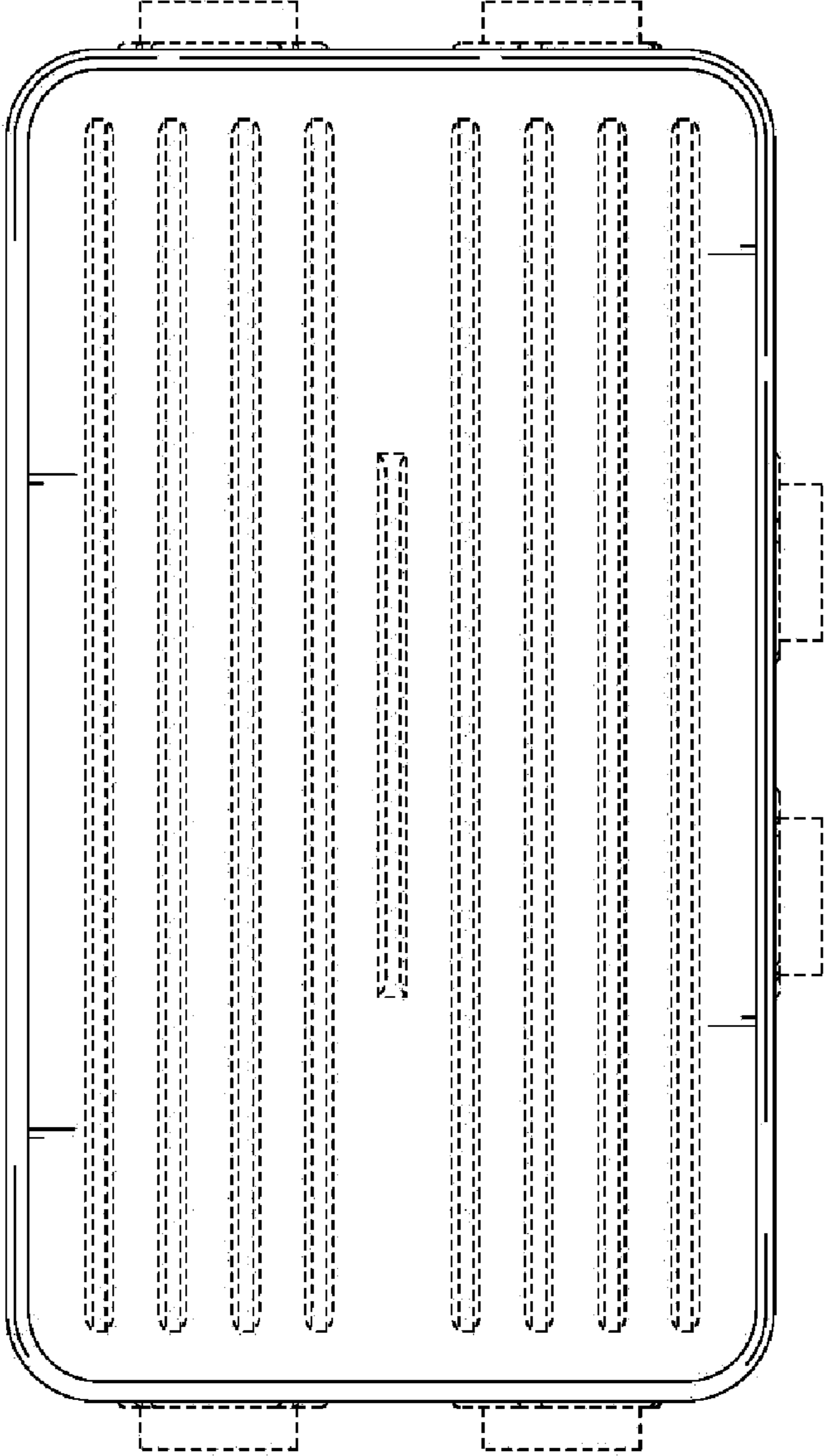


FIG. 6