



US00D640191S

(12) **United States Design Patent**
Like et al.

(10) **Patent No.:** **US D640,191 S**
(45) **Date of Patent:** **** Jun. 21, 2011**

(54) **ENERGY STORAGE DEVICE**

(75) Inventors: **Nathan Like**, Westland, MI (US);
Robert F. Gutman, Fraser, MI (US)

(73) Assignee: **Flextronics International Kft.**, Tab
(HU)

(**) Term: **14 Years**

(21) Appl. No.: **29/305,028**

(22) Filed: **Mar. 12, 2008**

(51) **LOC (9) Cl.** **13-02**

(52) **U.S. Cl.** **D13/104**

(58) **Field of Classification Search** D13/102-106,
D13/110, 118-121, 184, 199; 429/96-100,
429/159, 163, 176, 178, 187
See application file for complete search history.

(56) **References Cited**

U.S. PATENT DOCUMENTS

D143,362	S	*	12/1945	Stevens	D13/104
D196,798	S	*	11/1963	Worrrell	D13/104
4,107,402	A	*	8/1978	Dougherty et al.	429/120
D284,463	S	*	7/1986	Perkins et al.	D13/104
4,693,949	A	*	9/1987	Kellett et al.	429/128
5,488,283	A		1/1996	Dougherty et al.		
D383,434	S	*	9/1997	Hooke et al.	D13/103
D412,153	S	*	7/1999	Chen	D13/103
D432,078	S	*	10/2000	Chen	D13/103
6,426,606	B1		7/2002	Purkey		
7,145,788	B2		12/2006	Plummer		
D536,301	S	*	2/2007	Kawakita et al.	D13/119
D543,938	S	*	6/2007	Kawakita et al.	D13/119
D553,565	S	*	10/2007	Kawakita et al.	D13/119
D610,083	S	*	2/2010	Chen et al.	D13/104
D614,126	S	*	4/2010	Chen	D13/104
D623,127	S	*	9/2010	Seyama et al.	D13/104
D625,254	S	*	10/2010	Mack et al.	D13/104
2003/0044679	A1	*	3/2003	Hirano et al.	429/176

OTHER PUBLICATIONS

Kbi/Koldban Int'l Ltd., "KAPower Super Capacitors", Brochure, pp. 1-4; Circa Dec. 2000; Lake In The Hills, Ill.

Kbi/Koldban Int'l., "KAPower Installation-Operation Manual," pp. 1-12; Circa Jun. 2000; Lake In The Hills, Ill.
Siuru, Bill, Ultracapacitors Give Truckers a Jump Start, Diesel Progress North American Edition, Jul. 2007.
Kbi/Koldban Int'l, Ether System and Capacitors, "Kbi KAPower", pp. 1-3, Jan. 30, 2007.
Micah Ortuzar, Juan Dixon (SM IEEE) and Jorge Moreno, "Design, Construction and Performance of a Buck-Boost Converter for an Ultracapacitor-Based Auxiliary Energy System for Electric Vehicles", pp. 2889-2894, 2003.
Troy A. Nergaard, Jeremy F. Ferrell, Leonard G. Leslie and Jih-Sheng Lai, "Design Considerations for a 48 V Fuel Cell to Split Single Phase Inverter System with Ultracapacitor Energy Storage", pp. 2007-2012, 2002.
Juan W. Dixon and Micah E. Ortuzar, "Ultracapacitors + DC-DC Converters in Regenerative Braking System", IEEE AESS Systems Magazine, pp. 16-21, Aug. 2002.

(Continued)

Primary Examiner — Rosemary K Tarcza
(74) *Attorney, Agent, or Firm* — Libby A. Huskev; Robert G. Crouch; Marsh Fischmann & Breyfogle LLP

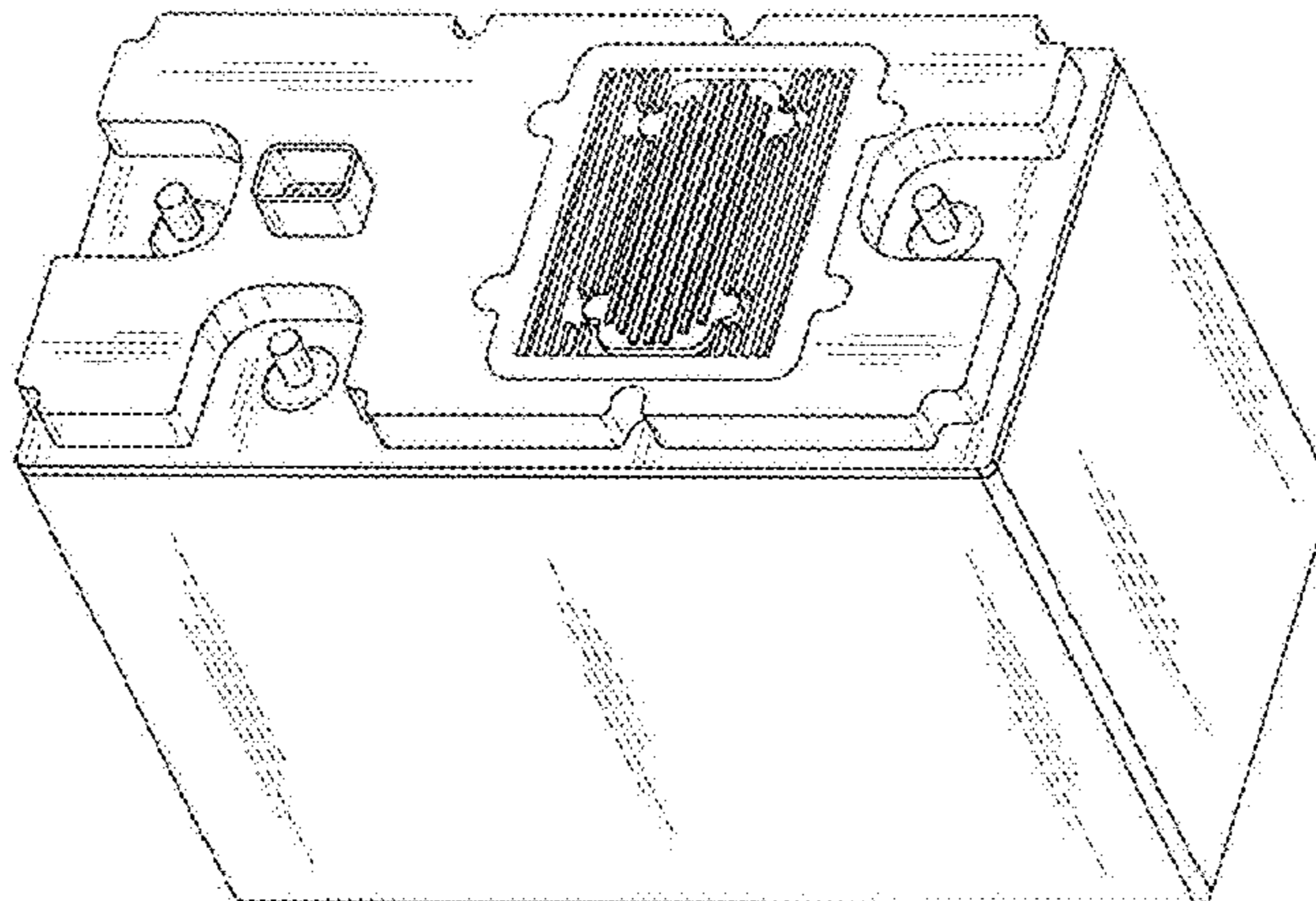
(57) **CLAIM**

The ornamental design for an energy storage device, as shown and described.

DESCRIPTION

FIG. 1 is a front perspective view of an energy storage device showing our new design;
FIG. 2 is a front elevational view of the energy storage device shown in FIG. 1;
FIG. 3 is a rear elevational view of the energy storage device shown in FIG. 1;
FIG. 4 is a left side elevational view of the energy storage device shown in FIG. 1;
FIG. 5 is a right side elevational view of the energy storage device shown in FIG. 1;
FIG. 6 is a top plan view of the energy storage device shown in FIG. 1; and,
FIG. 7 is a bottom plan view of the energy storage device shown in FIG. 1.

1 Claim, 6 Drawing Sheets



OTHER PUBLICATIONS

Vanner Incorporated, "Start Sentry Ultracapacitors", Brochure, 5 pages.

Sure Power Industries, Inc., "Crank Assist Controller", Flyer, 1 page.
Sure Power 12V Cap Start Module, photograph from EVS-23 Tradeshow dated Dec. 2-5, 2007, 1 page.

Nippon-Chemi-con Engine Starter Modules Type 1 and Type 2, photographs from EVS-23 Tradeshow dated Dec. 2-5, 2007, 2 pages.

U.S. Appl. No. 12/050,615 entitled "Energy Storage Device", filed Mar. 18, 2008, Inventor(s) Like, Nathan et al.,

* cited by examiner

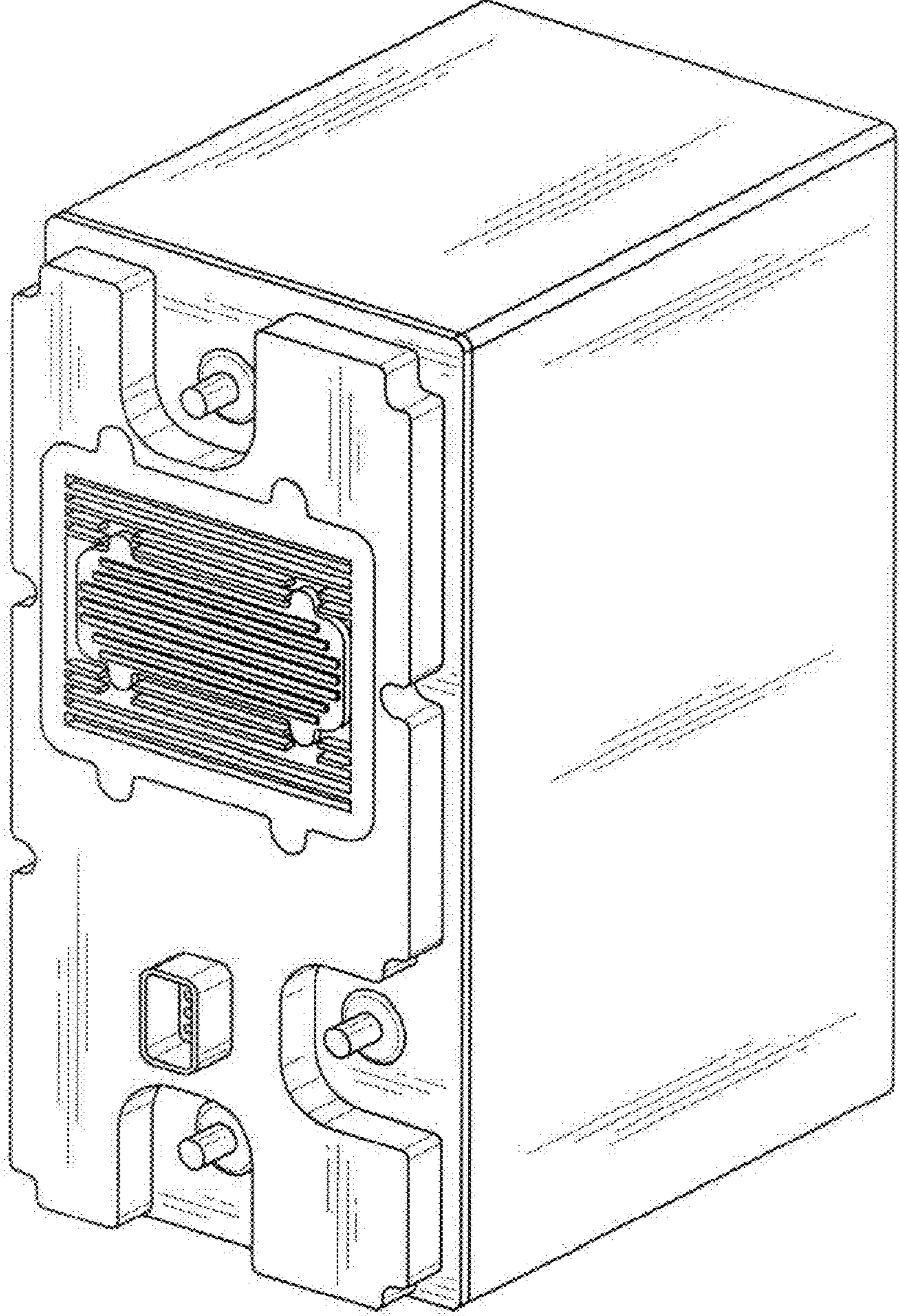


FIG. 1

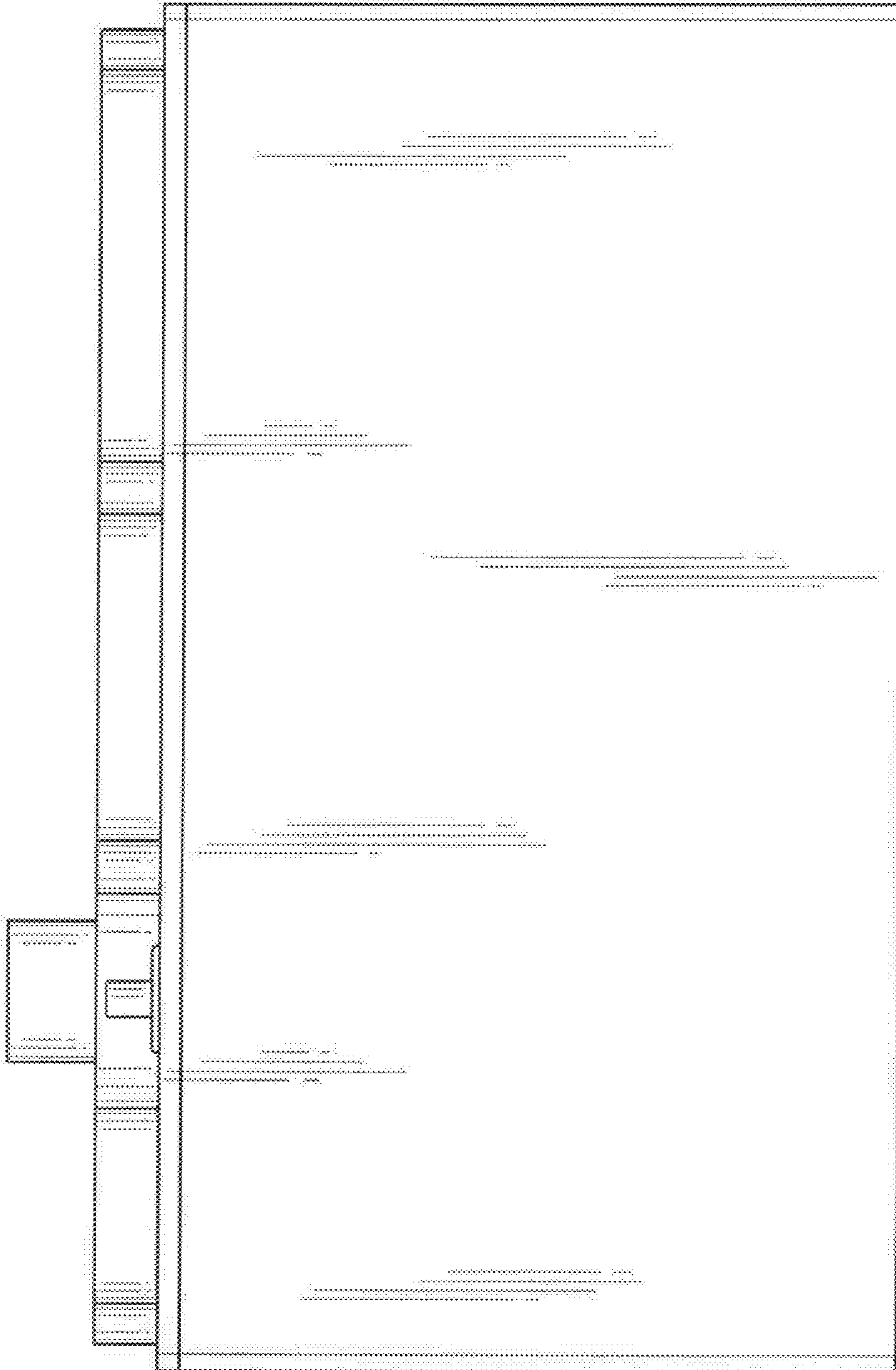


FIG. 2

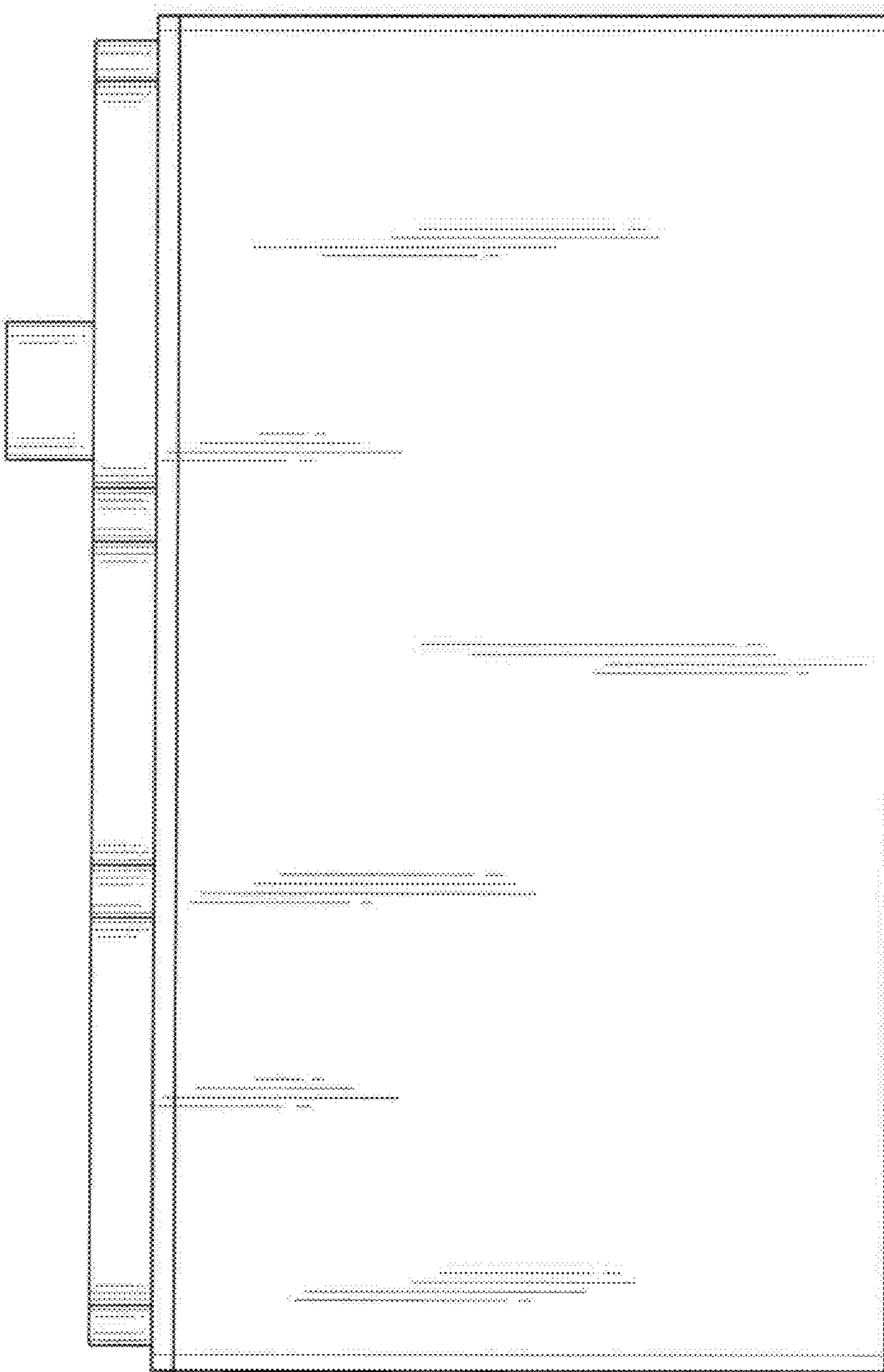


FIG. 3

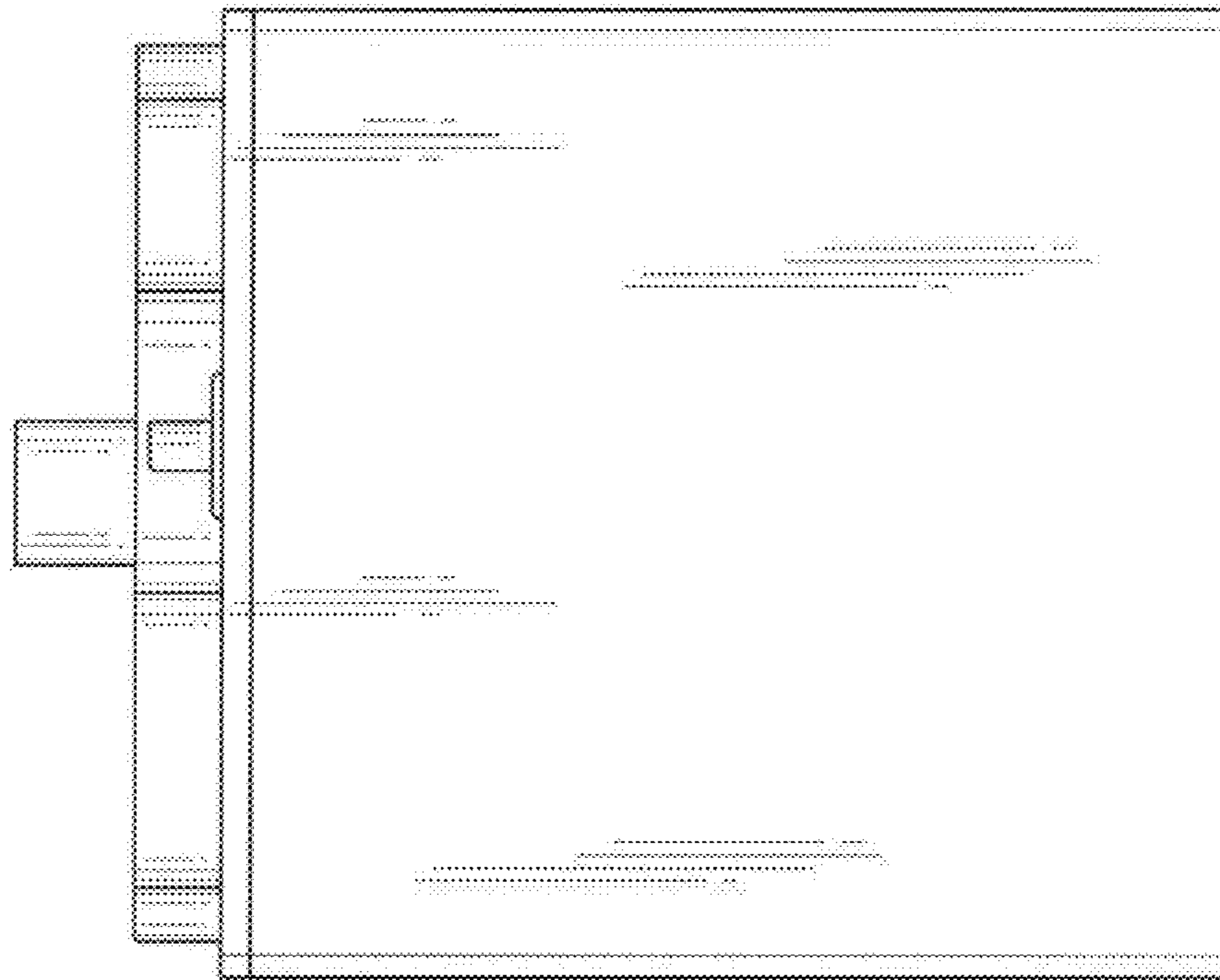


FIG. 5

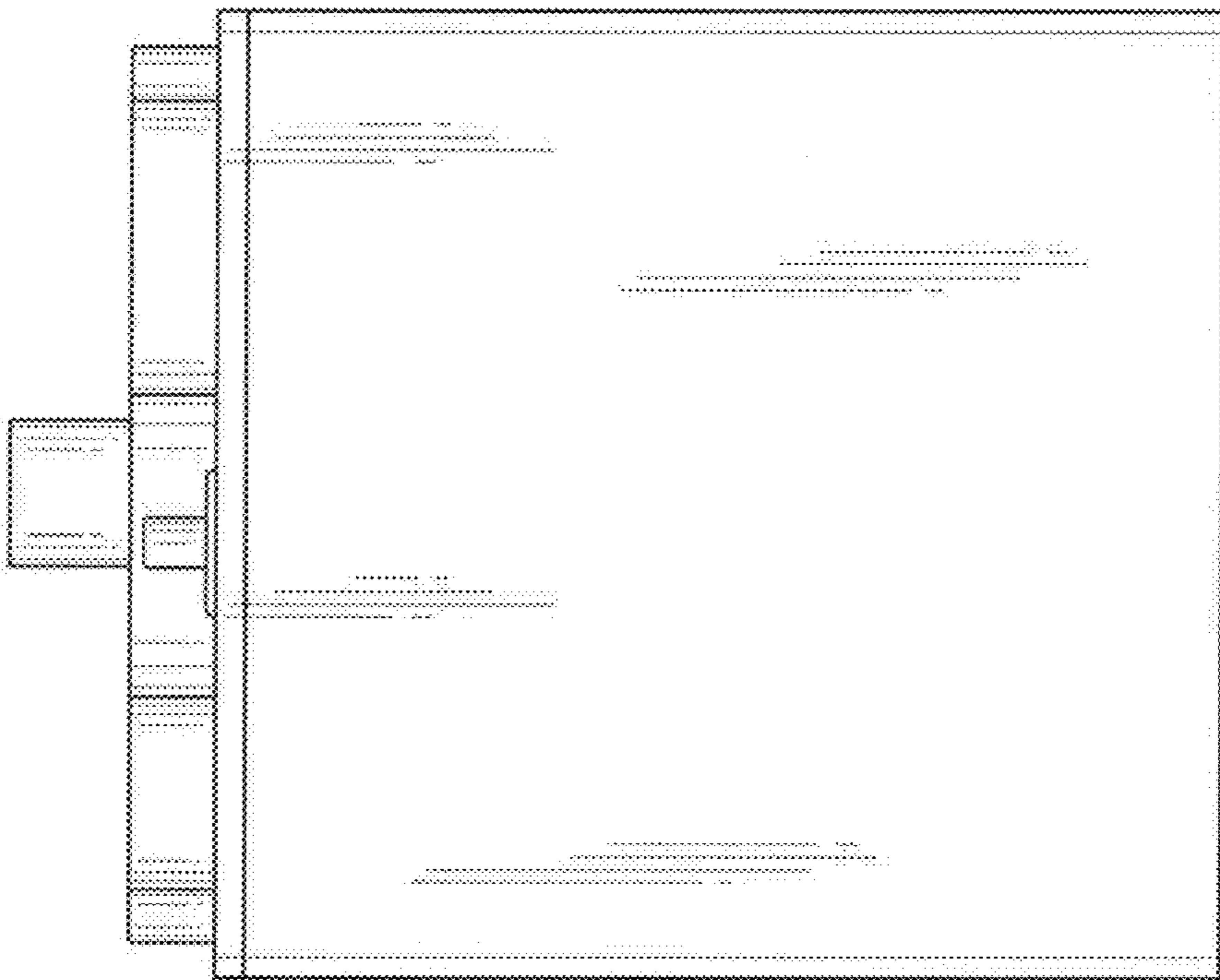


FIG. 4

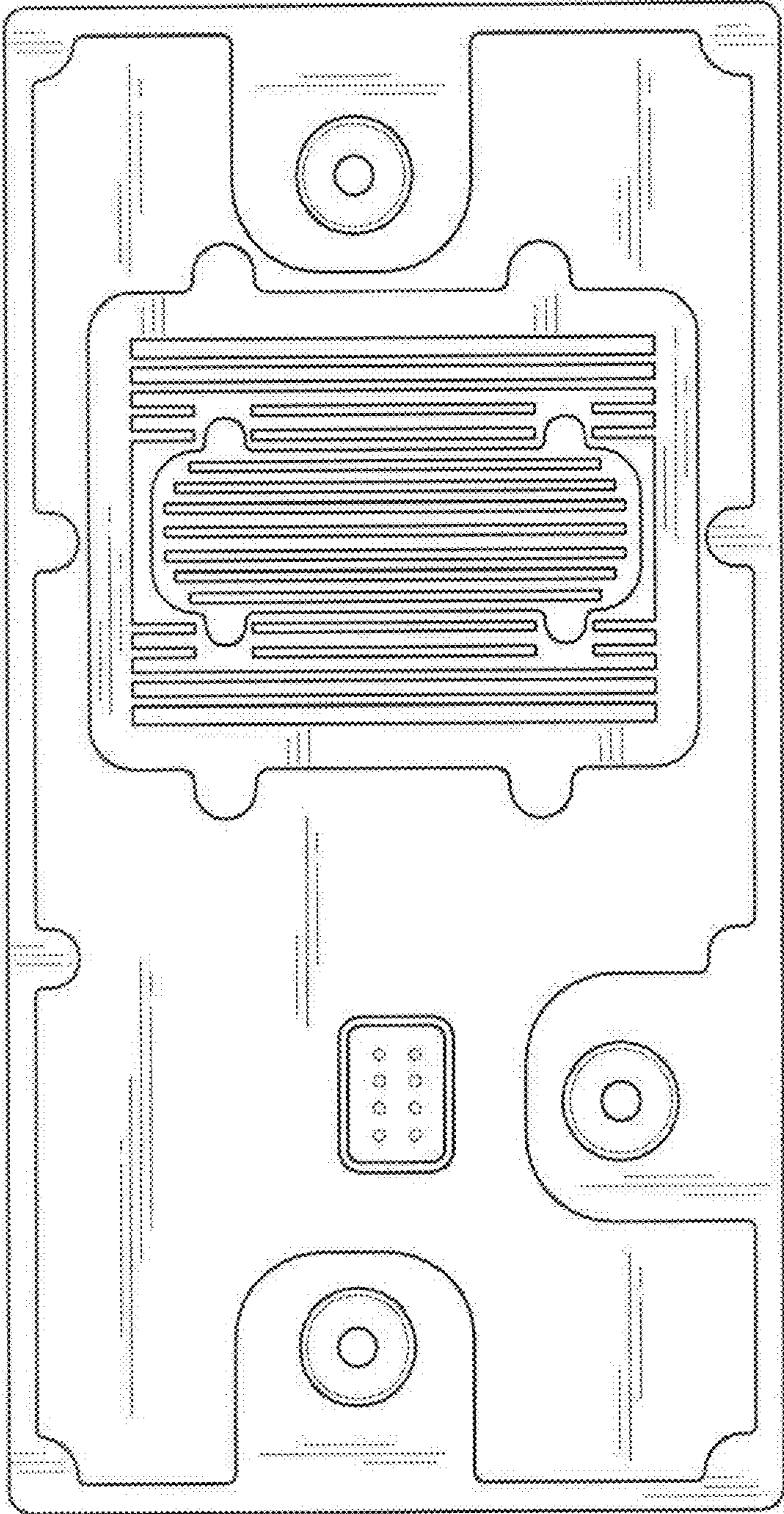


FIG. 6

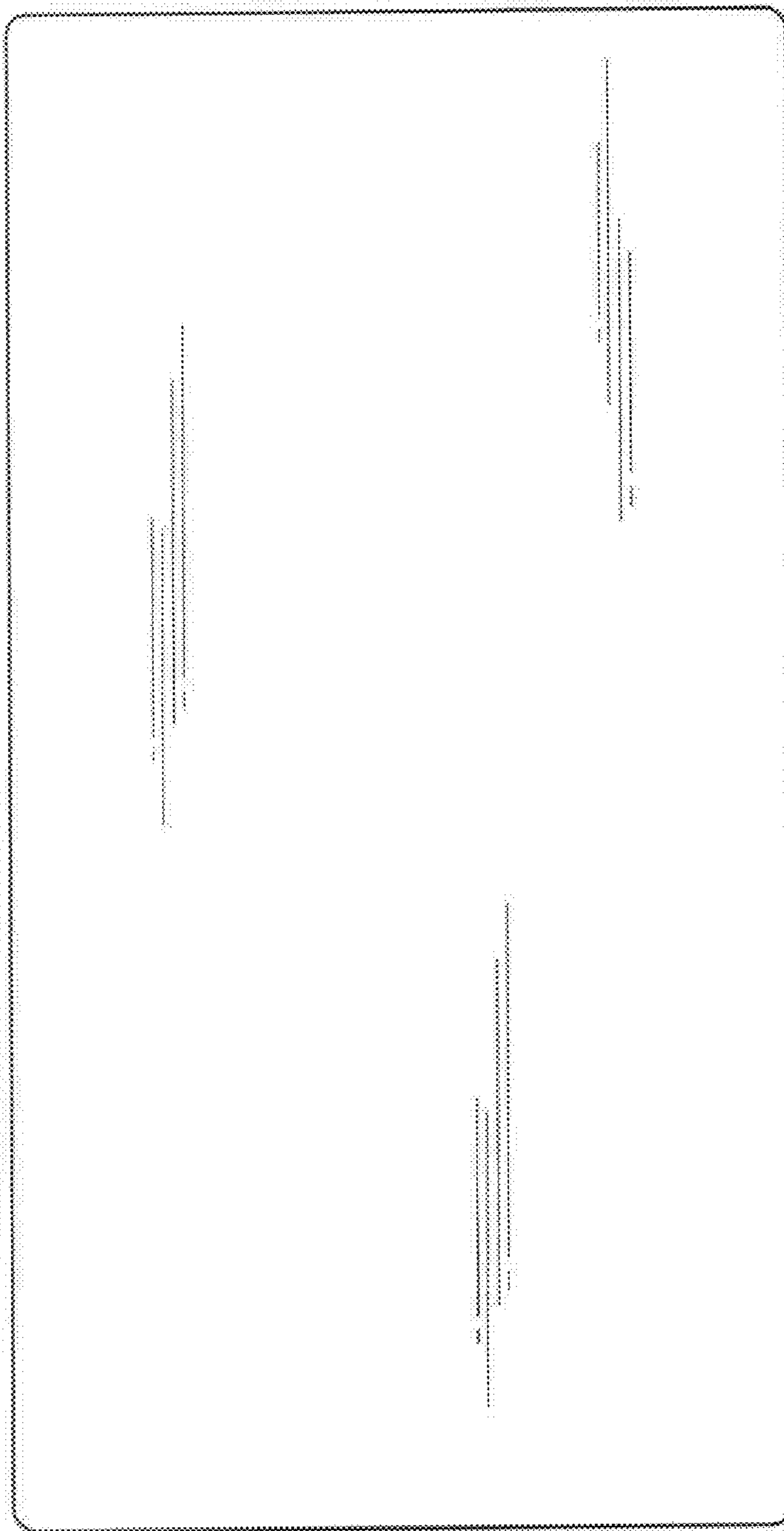


FIG. 7