

US00D640189S

(12) **United States Design Patent**  
**Chen et al.**

(10) **Patent No.:** **US D640,189 S**  
(45) **Date of Patent:** **\*\* Jun. 21, 2011**

(54) **PHOTOELECTRIC ENERGY TRANSDUCING APPARATUS**

(75) Inventors: **Jen-Shyan Chen**, Hsinchu (TW);  
**Chung-Zen Lin**, Taipei (TW)

(73) Assignee: **Neobulb Technologies, Inc.** (BN)

(\*\*) Term: **14 Years**

(21) Appl. No.: **29/339,216**

(22) Filed: **Jun. 26, 2009**

(30) **Foreign Application Priority Data**

Dec. 31, 2008 (TW) ..... 97307423

(51) **LOC (9) Cl.** ..... **13-02**

(52) **U.S. Cl.** ..... **D13/101**

(58) **Field of Classification Search** ..... D13/101,  
D13/102, 110, 117, 118, 123, 133, 165, 184,  
D13/199; 136/243, 246, 247, 251; 250/203.4,  
250/214.1, 214 B, 214 C, 238, 239, 458.1;  
338/15; 362/294, 295, 373, 800

See application file for complete search history.

(56) **References Cited**

U.S. PATENT DOCUMENTS

3,953,730 A \* 4/1976 Henry et al. .... 250/227.28  
3,963,920 A \* 6/1976 Palmer ..... 250/239

4,319,133 A \* 3/1982 Currie et al. .... 250/214 B  
4,405,915 A \* 9/1983 Komatsu et al. .... 338/15  
4,587,421 A \* 5/1986 Robertson ..... 250/239  
5,362,960 A \* 11/1994 Komatsu et al. .... 250/214.1  
D470,462 S \* 2/2003 Fayfield et al. .... D13/165  
D487,723 S \* 3/2004 Shimada ..... D13/101  
7,083,305 B2 \* 8/2006 Galli ..... 362/294  
2005/0279949 A1 \* 12/2005 Oldham et al. .... 250/458.1

\* cited by examiner

*Primary Examiner* — Stella M Reid

*Assistant Examiner* — Derrick Holland

(74) *Attorney, Agent, or Firm* — Thomas, Kayden,  
Horstemeyer & Risley, LLP.

(57) **CLAIM**

The ornamental design for a photoelectric energy transducing apparatus, as shown and described.

**DESCRIPTION**

FIG. 1 is a perspective view of a photoelectric energy transducing apparatus illustrating the new design;

FIG. 2 is a front view thereof;

FIG. 3 is a rear view thereof;

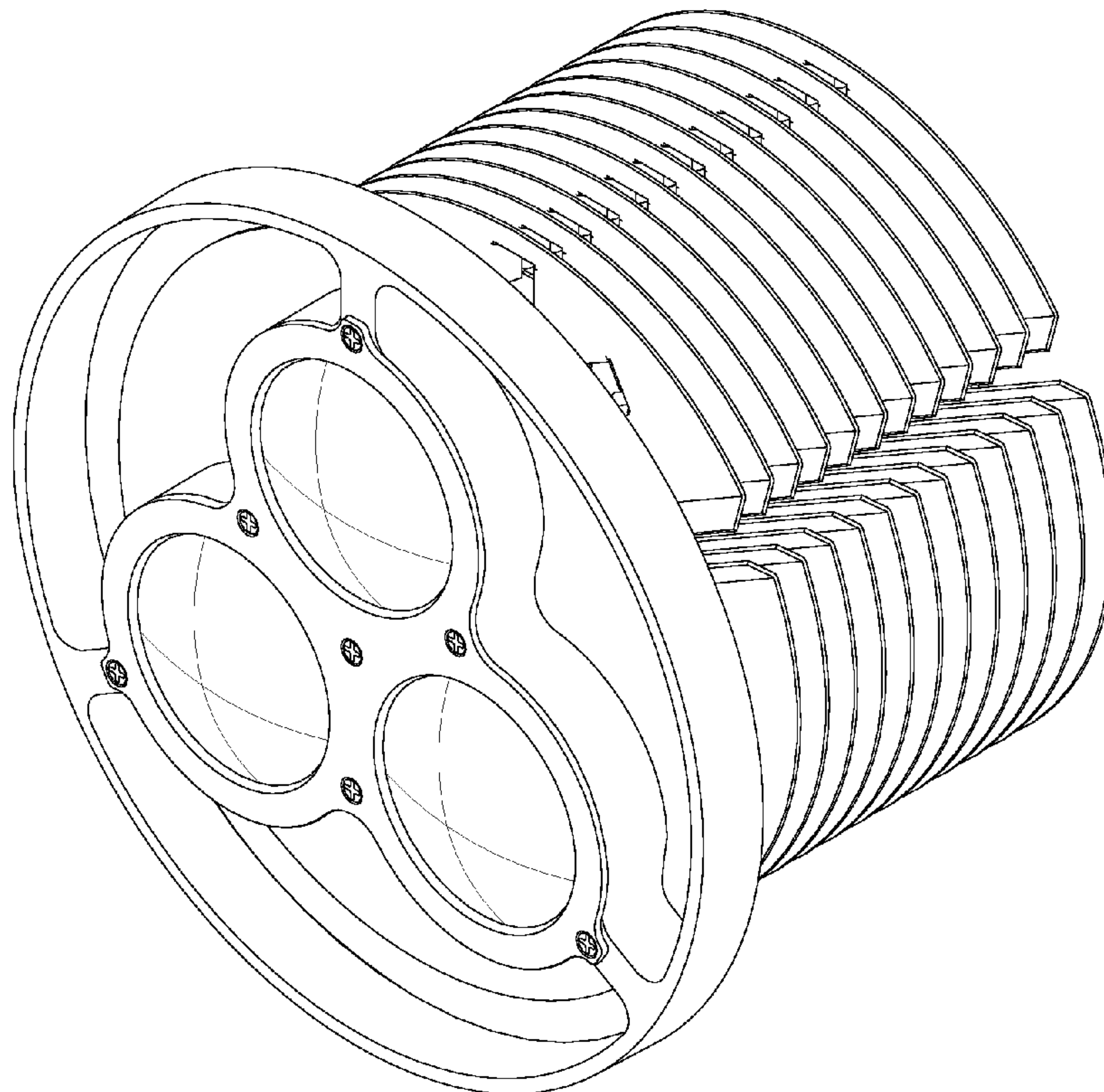
FIG. 4 is a left side view thereof; where a right side view is not presented, as it is a mirror image of the left side view;

FIG. 5 is a top view thereof; and,

FIG. 6 is a bottom view thereof.

The broken lines shown represent unclaimed subject matter and form no part of the claimed design.

**1 Claim, 6 Drawing Sheets**



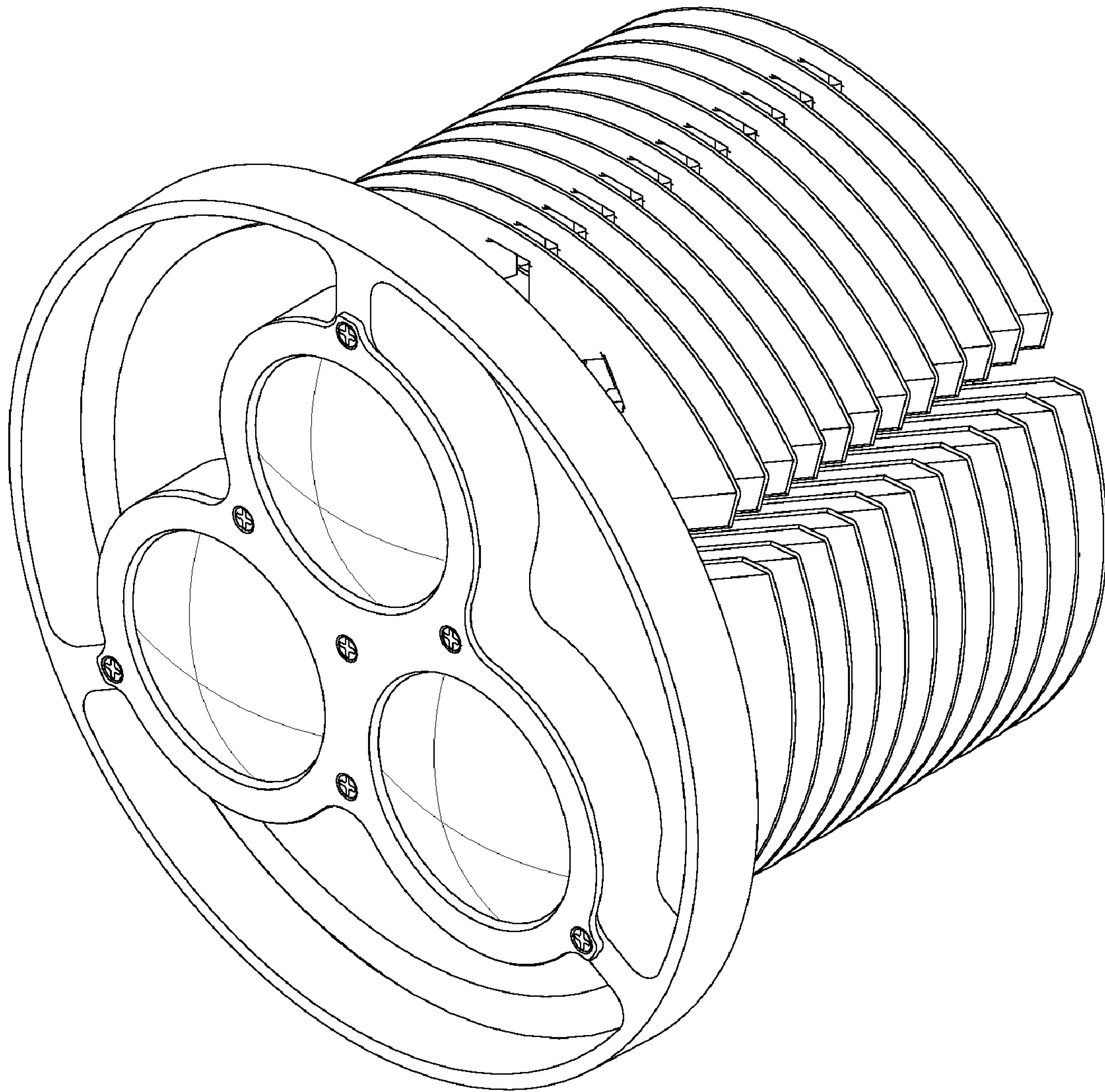


FIG. 1

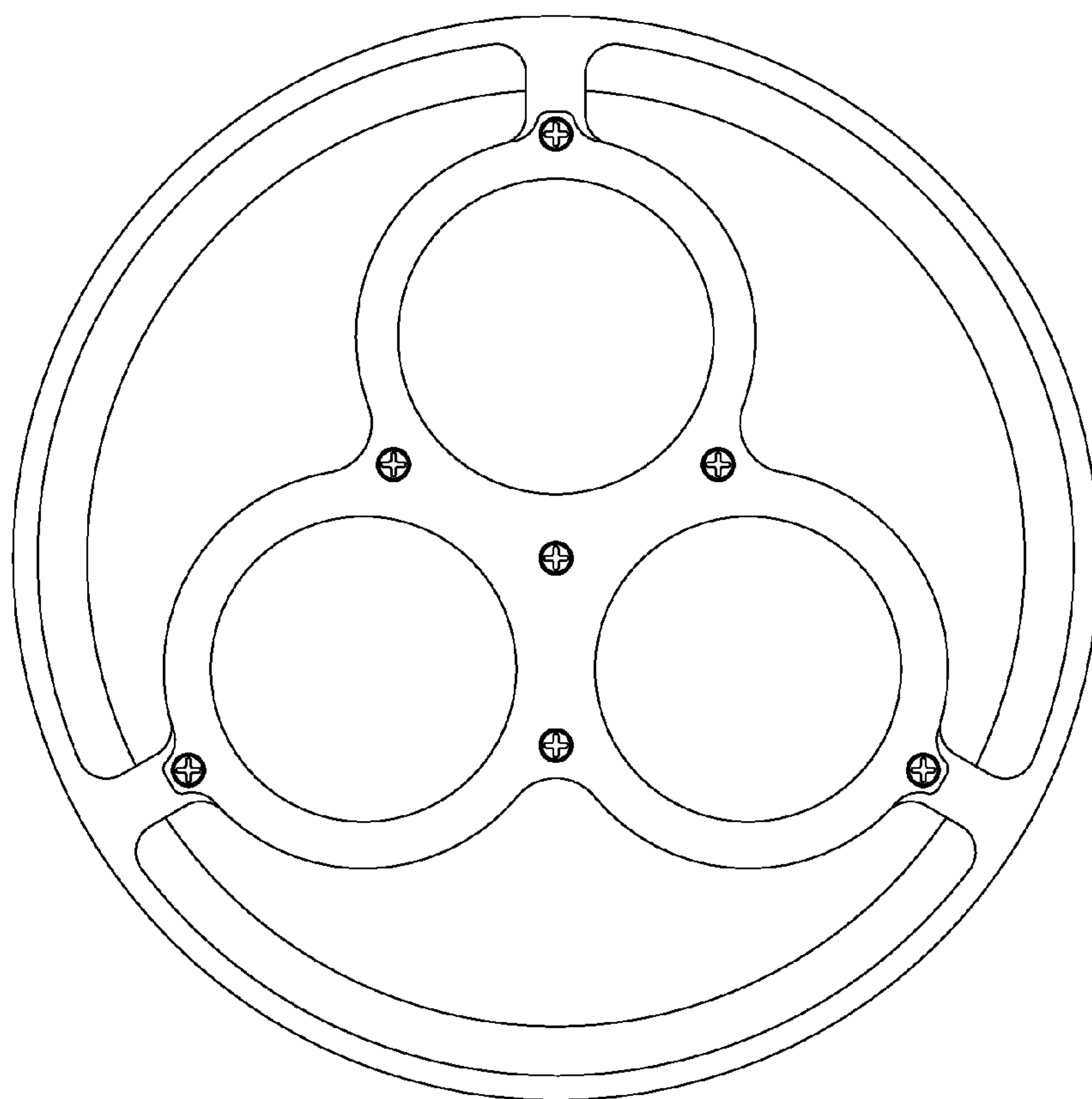


FIG. 2



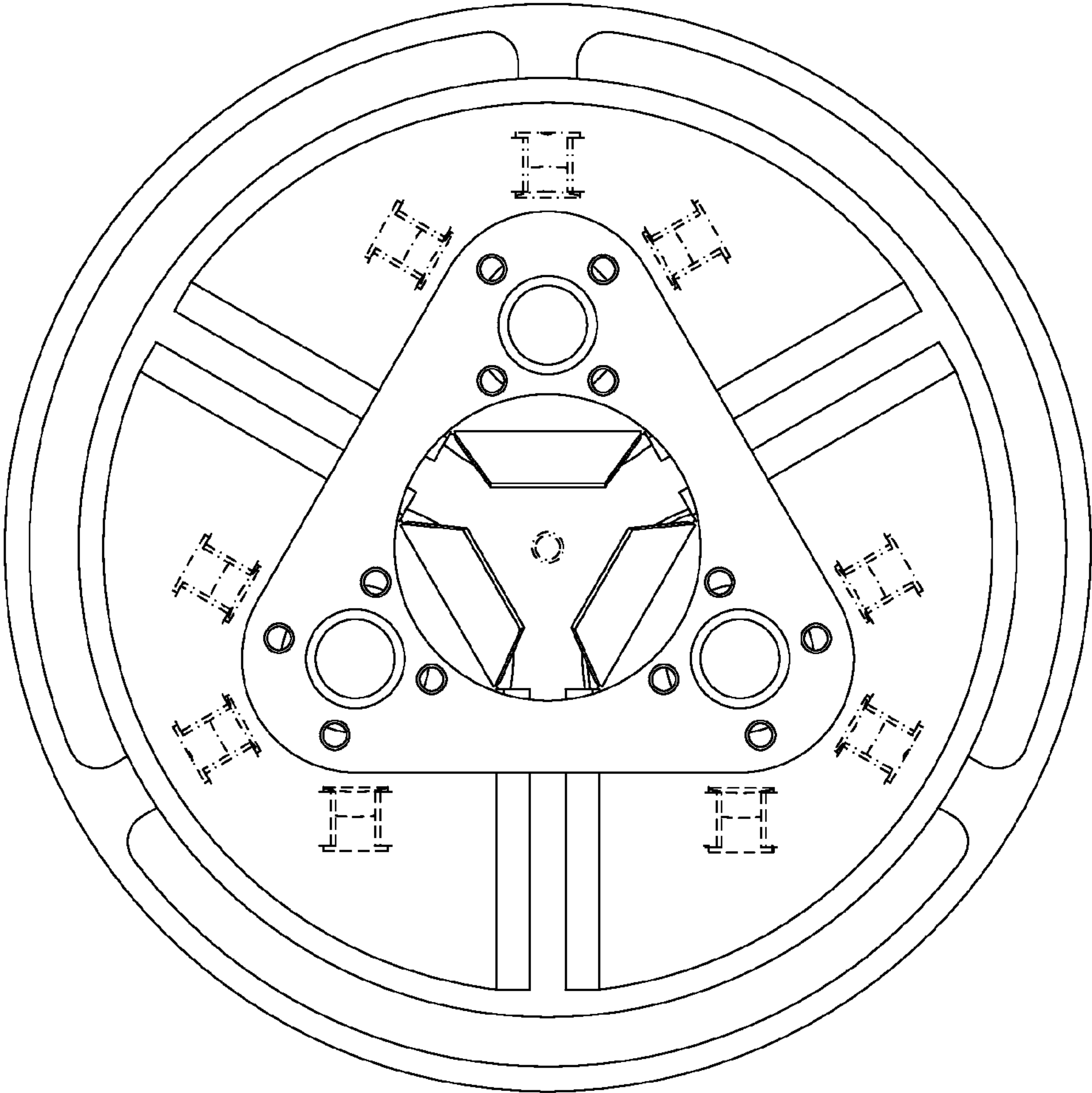


FIG. 3

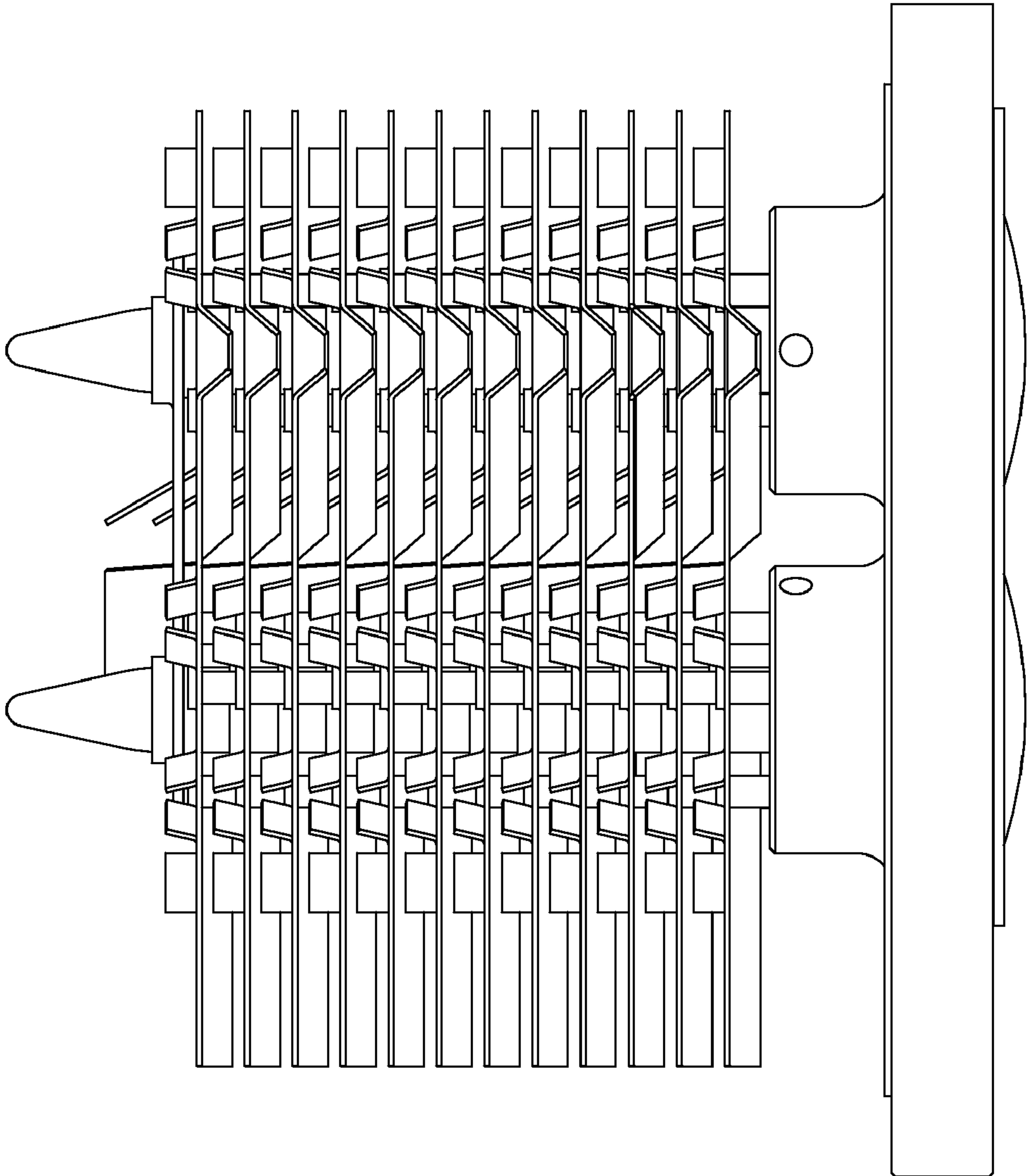


FIG. 4

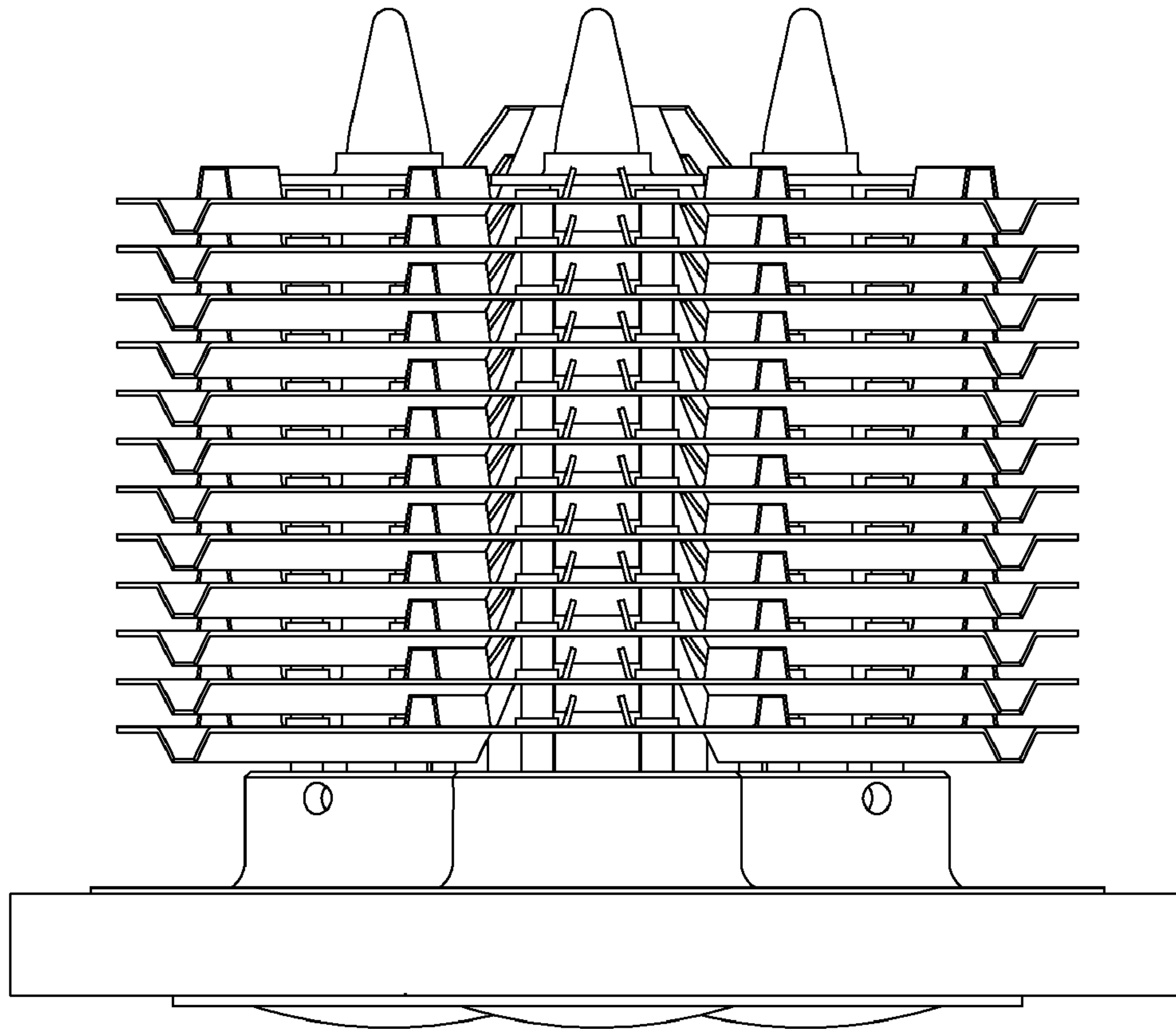


FIG. 5

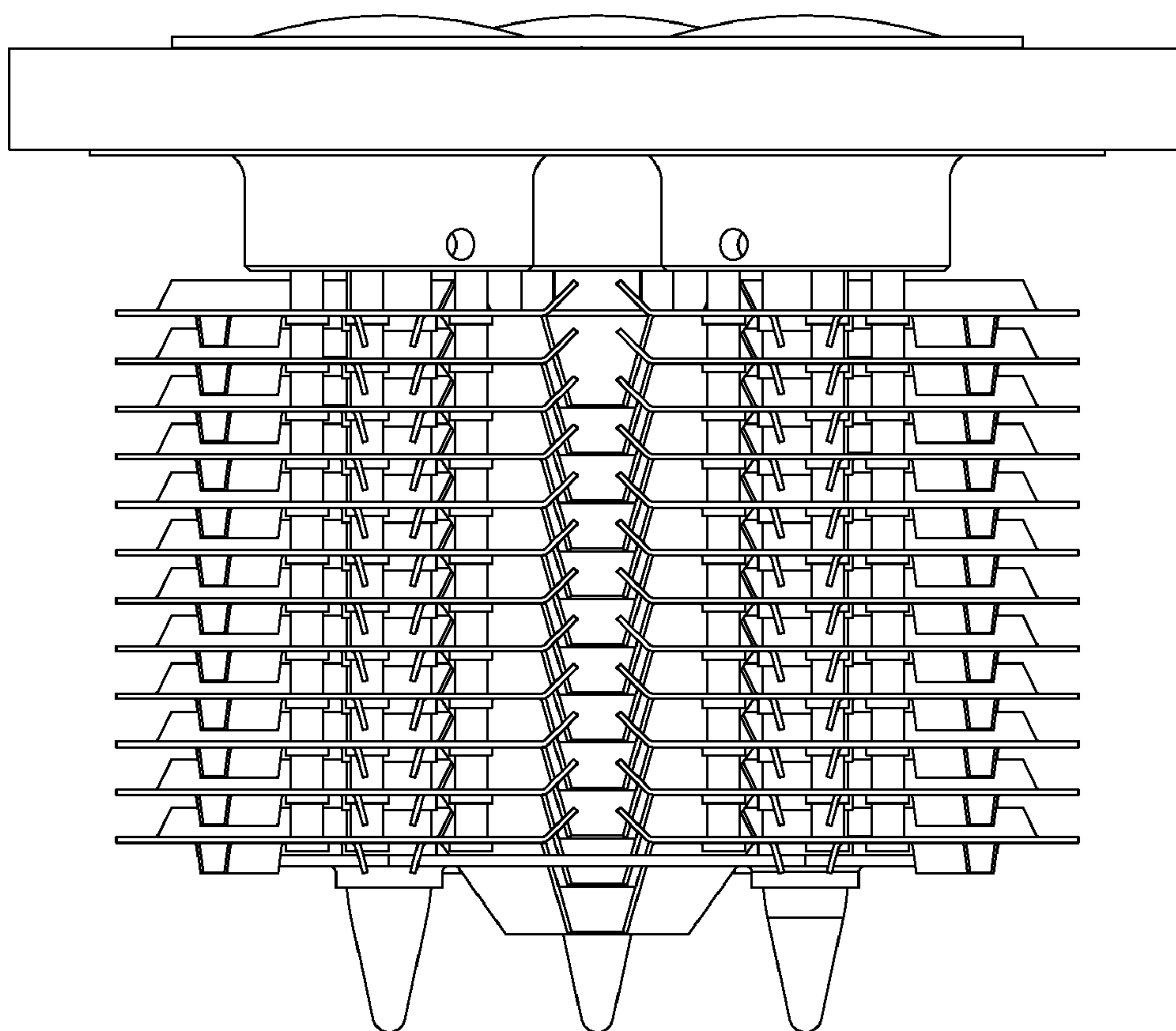


FIG. 6