



US00D640186S

(12) **United States Design Patent**  
**Miyazaki**

(10) **Patent No.:** **US D640,186 S**  
(45) **Date of Patent:** **\*\* Jun. 21, 2011**

(54) **TIRE**

(75) Inventor: **Tetsuji Miyazaki**, Osaka (JP)

(73) Assignee: **Toyo Tire & Rubber Co., Ltd.**, Osaka (JP)

(\*\*) Term: **14 Years**

(21) Appl. No.: **29/379,617**

(22) Filed: **Nov. 22, 2010**

(30) **Foreign Application Priority Data**

Oct. 13, 2010 (JP) ..... 2010-024494

(51) **LOC (9) Cl.** ..... **12-15**

(52) **U.S. Cl.** ..... **D12/605**

(58) **Field of Classification Search** ..... D12/500-501,  
D12/544, 579, 600-605; 152/523-524, DIG. 12,  
152/555; D7/588, 396.4-396.5

See application file for complete search history.

(56) **References Cited**

**U.S. PATENT DOCUMENTS**

D450,274 S *	11/2001	Ratliff et al.	.....	D12/605
D549,168 S *	8/2007	Shondel et al.	.....	D12/605
D563,310 S *	3/2008	Shondel	.....	D12/605
D574,320 S *	8/2008	Dixon	.....	D12/605
D585,018 S *	1/2009	Shondel	.....	D12/605
D608,274 S *	1/2010	Takahashi	.....	D12/605
D614,123 S *	4/2010	Harvey	.....	D12/605
D628,959 S *	12/2010	Harvey	.....	D12/605

**FOREIGN PATENT DOCUMENTS**

JP	1112474	6/2001
JP	1211497	7/2004
JP	1334761	6/2008

\* cited by examiner

*Primary Examiner* — Stacia Cadmus

(74) *Attorney, Agent, or Firm* — Sterne Kessler Goldstein & Fox PLLC

(57) **CLAIM**

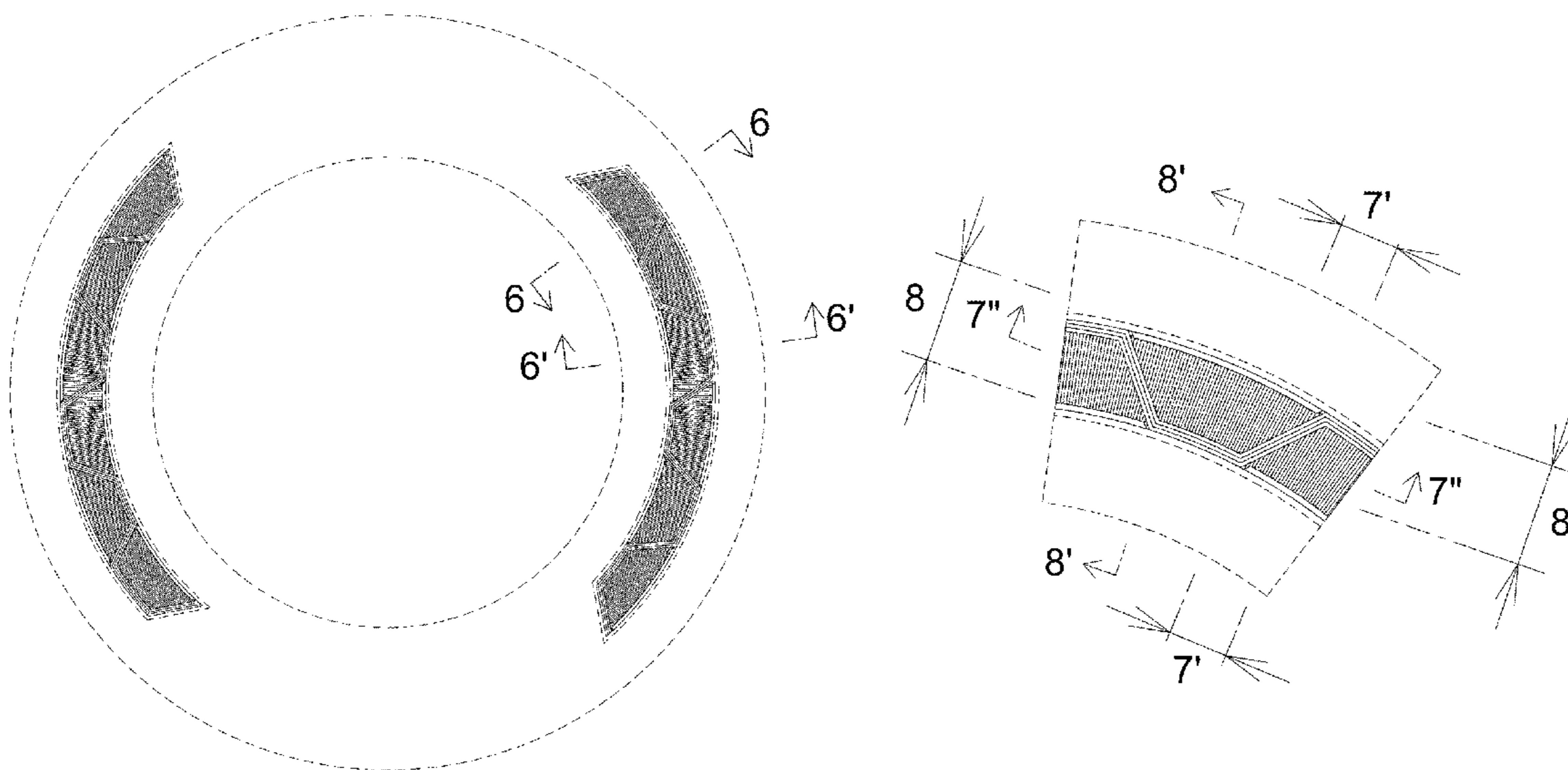
The ornamental design for a tire, as shown and described.

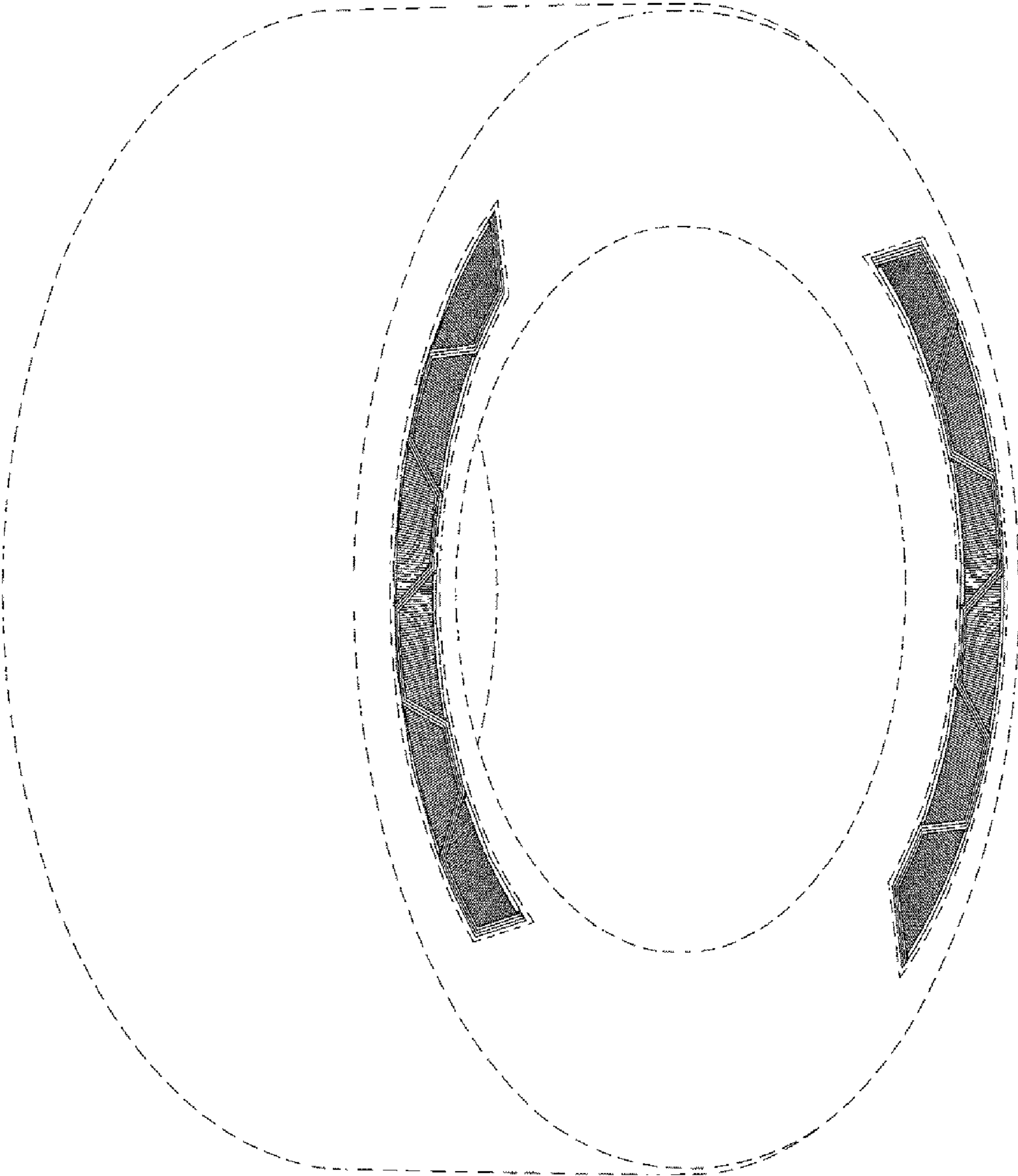
**DESCRIPTION**

FIG. 1 is a perspective view of a tire showing my new design; FIG. 2 is a front view thereof; FIG. 3 is a rear view thereof; FIG. 4 is a left side thereof, of which the right side view is a minor image; FIG. 5 is a top plan view thereof, for which the bottom plan view is a minor image; FIG. 6 is an enlarged view taken along lines 6—6 and 6'—6' in FIG. 2; FIG. 7 is an enlarged end view taken along line 7—7 in FIG. 5, line 7'—7' in FIG. 6, and line 7''—7'' in FIG. 6; and, FIG. 8 is an enlarged end view taken along line 7—7 in FIG. 5, line 8—8 in FIG. 6, and line 8'—8' in FIG. 6.

In the drawings, the broken lines defining unclaimed portions of the tire depict environmental subject matter that forms no part of the claimed design.

**1 Claim, 7 Drawing Sheets**





**FIG. 1**

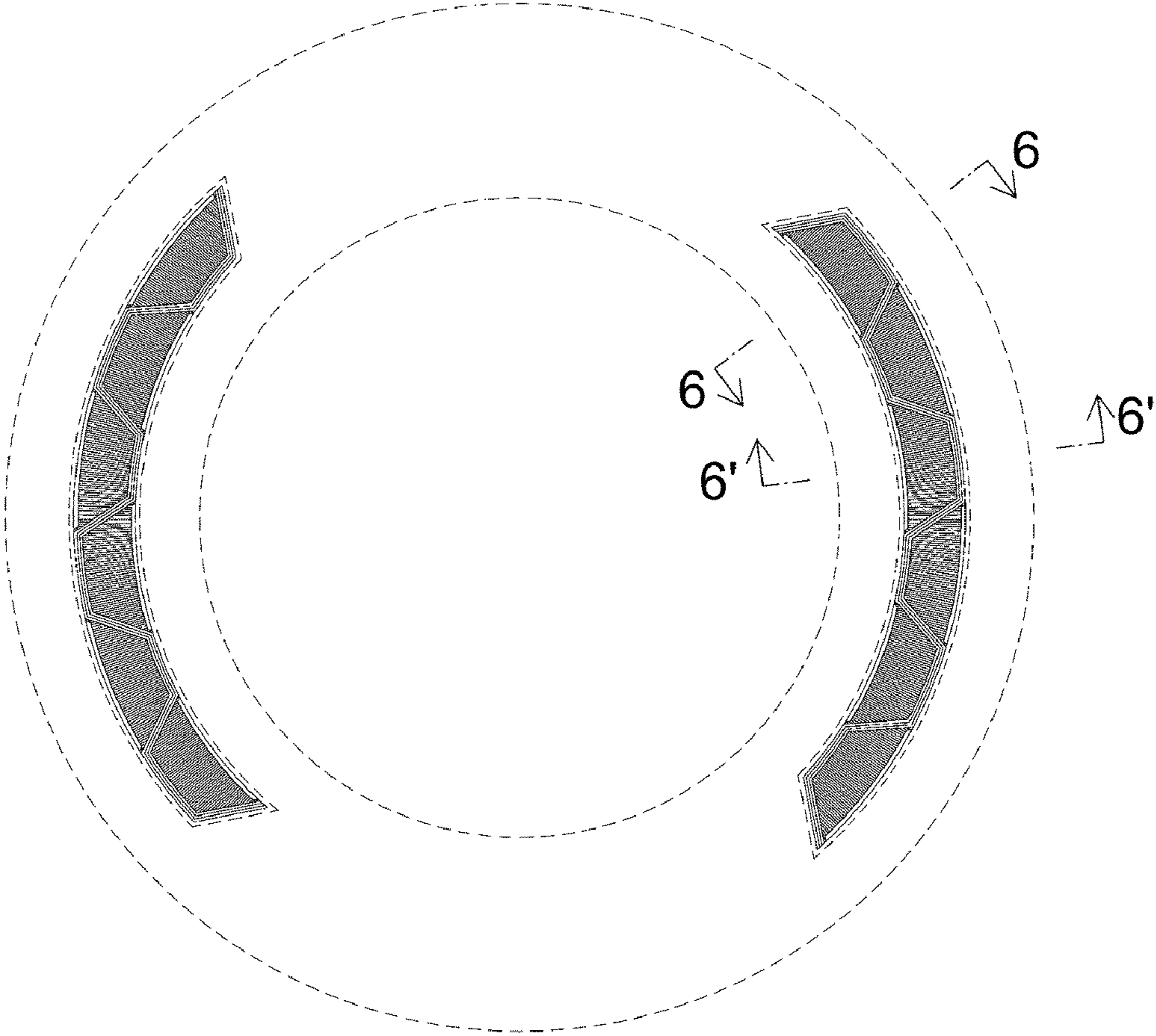
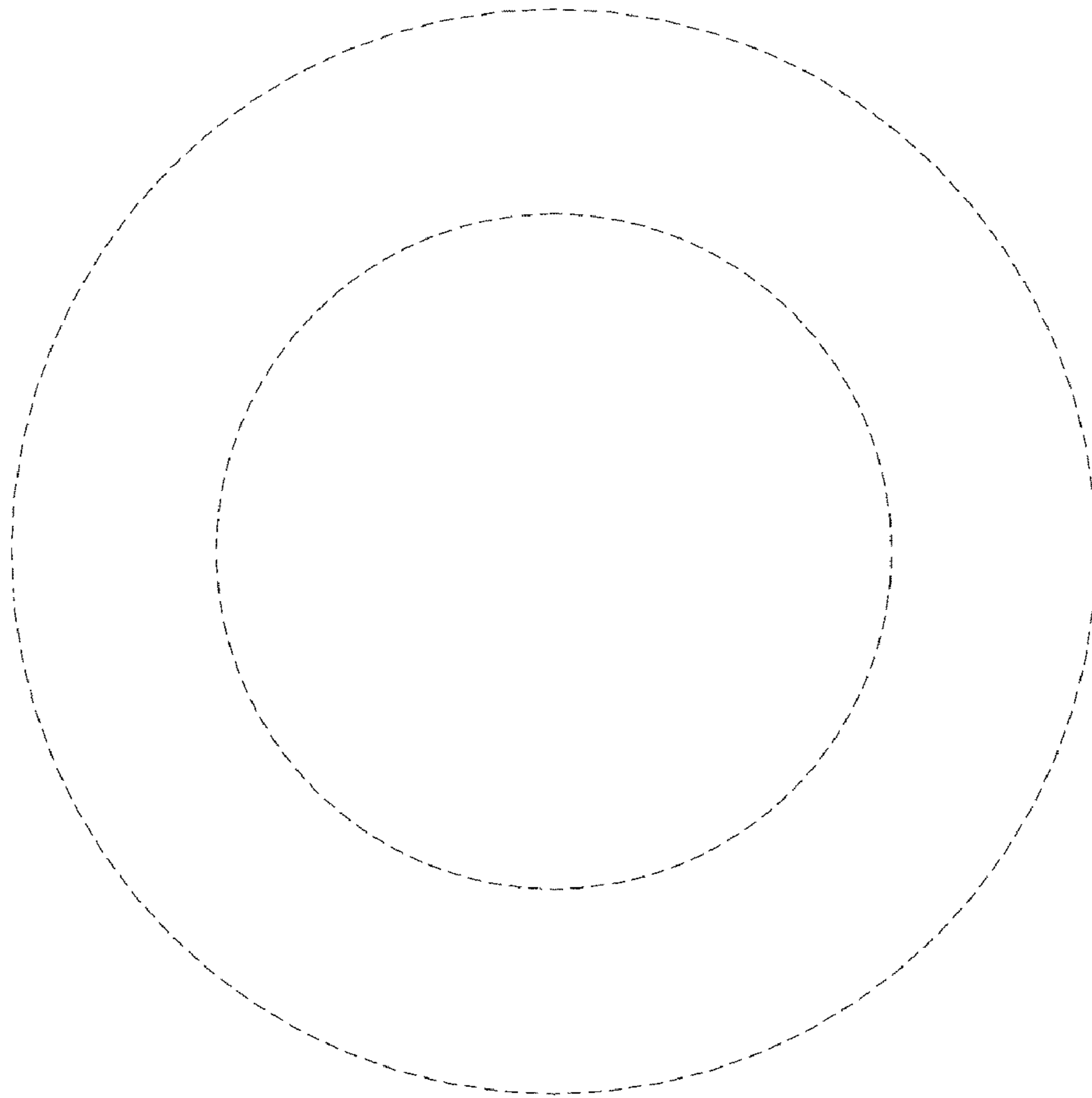
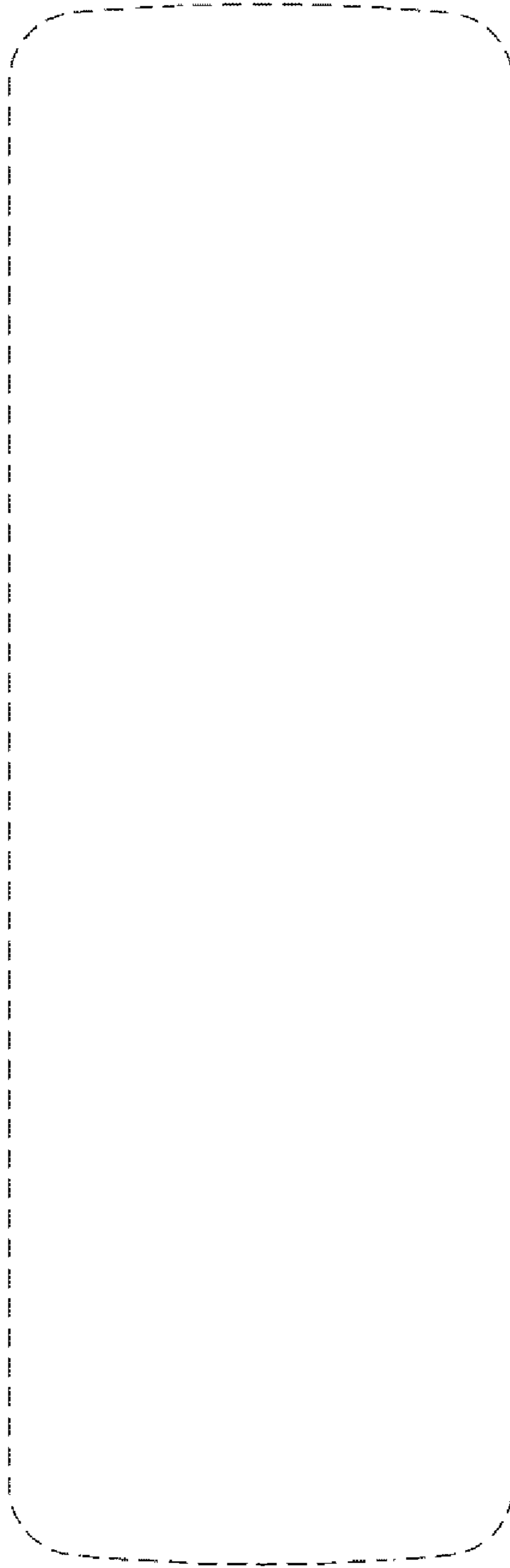


FIG. 2



**FIG. 3**

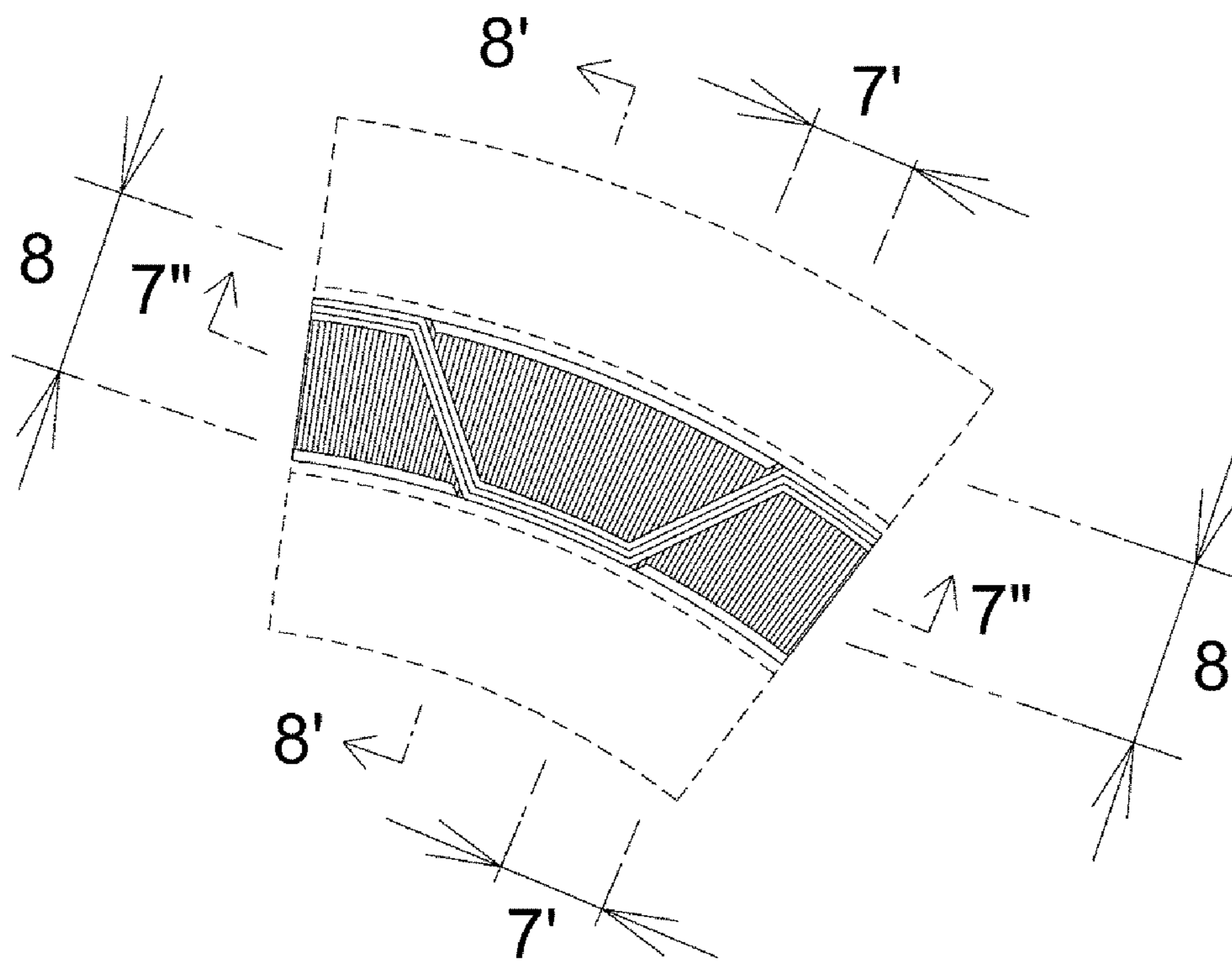


**FIG. 4**

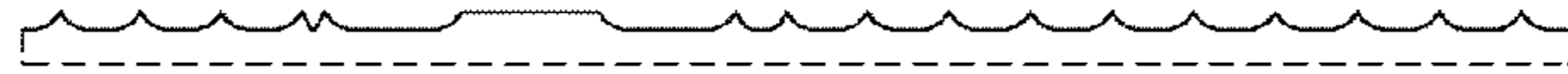


**FIG. 5**

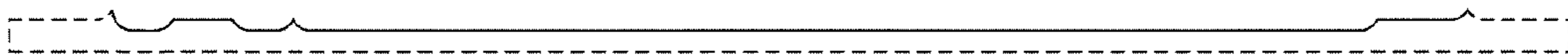




**FIG. 6**



**FIG. 7**



**FIG. 8**