



US00D640179S

(12) **United States Design Patent**
Corn

(10) **Patent No.:** **US D640,179 S**
(45) **Date of Patent:** **** Jun. 21, 2011**

- (54) **BOATING ACCESSORY**
- (75) Inventor: **James F. Corn**, Kearney, MO (US)
- (73) Assignee: **Sport Marine Technologies, Inc.**, Pilot Point, TX (US)
- (**) Term: **14 Years**
- (21) Appl. No.: **29/372,463**
- (22) Filed: **Nov. 23, 2010**

- 3,964,417 A 6/1976 Williams et al.
- 4,040,373 A 8/1977 Jones, Jr.
- 4,100,876 A 7/1978 Feleus
- 4,205,618 A 6/1980 Olsson

(Continued)

FOREIGN PATENT DOCUMENTS

GB 716879 10/1954

(Continued)

OTHER PUBLICATIONS

Internet catalog of Marine Dynamics, Inc. downloaded 2008 (Item 3).

(Continued)

Primary Examiner — Cynthia M Chin

(74) *Attorney, Agent, or Firm* — Law Office of William Gustavson, PC

Related U.S. Application Data

(60) Continuation of application No. 29/349,848, filed on May 7, 2010, now abandoned, which is a division of application No. 29/314,740, filed on Apr. 23, 2009, now Pat. No. Des. 615,475, which is a division of application No. 29/307,608, filed on Apr. 29, 2008, now Pat. No. Des. 591,664.

- (51) **LOC (9) Cl.** **12-06**
- (52) **U.S. Cl.** **D12/317**
- (58) **Field of Classification Search** D12/300, D12/308, 309, 316, 317; 114/125, 126, 300, 114/312, 315, 322, 330–333, 337, 274–280, 114/281, 282, 285–287; 440/6, 33, 42, 51, 440/65, 66, 71, 76, 80

See application file for complete search history.

(57) **CLAIM**
The ornamental design for a boating accessory, as shown and described.

DESCRIPTION

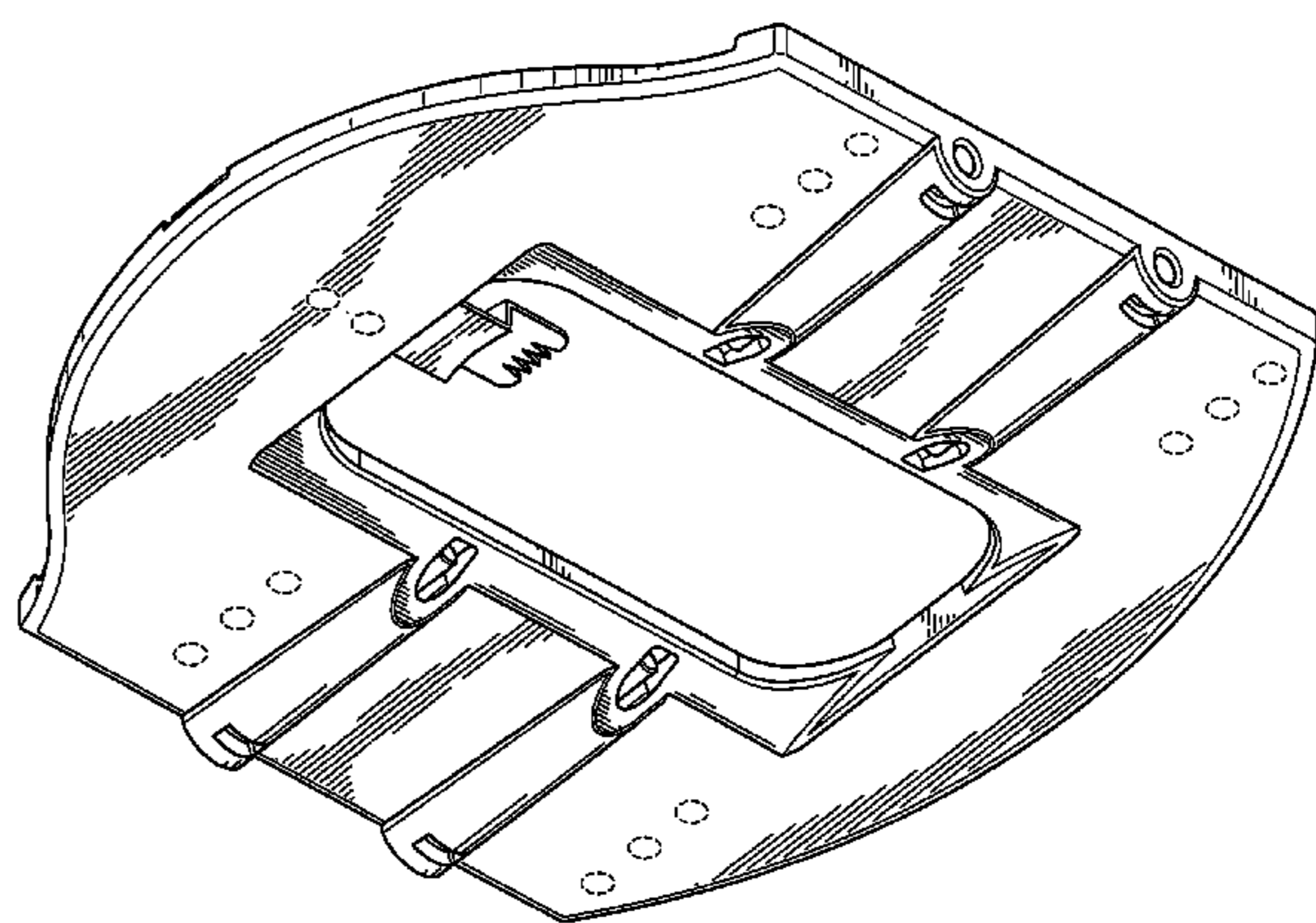
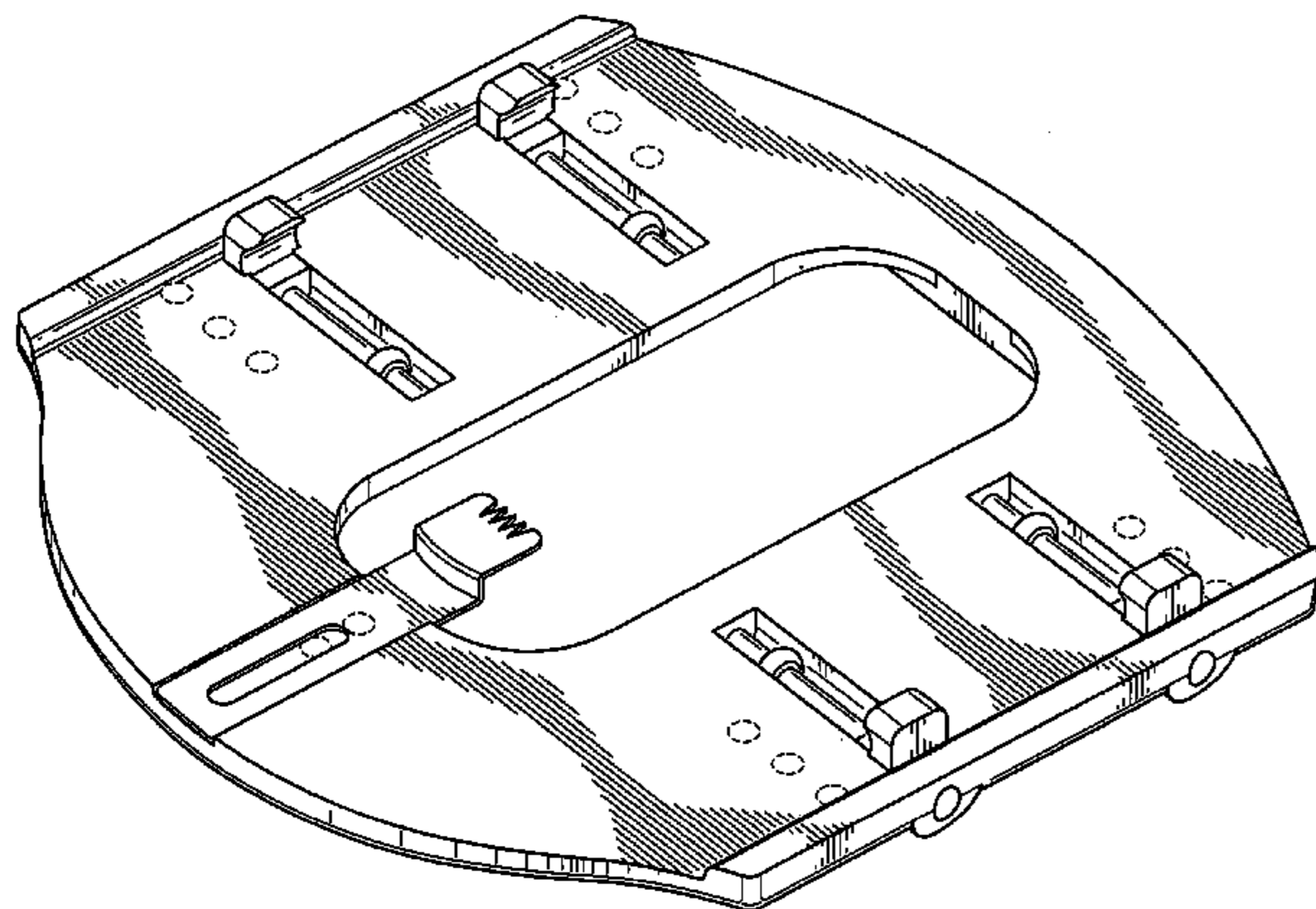
FIG. 1 is a perspective top view of a boat accessory embodying my design, the apertures shown in dotted line forming no part of the present invention;
FIG. 2 is a perspective bottom view thereof, the apertures shown in dotted line forming no part of the present invention;
FIG. 3 is a front view thereof;
FIG. 4 is a right side view thereof, the left side view being a mirror image of the right side view;
FIG. 5 is a back view thereof;
FIG. 6 is a top view thereof, the apertures shown in dotted line forming no part of the present invention; and,
FIG. 7 is a bottom view thereof, the apertures shown in dotted line forming no part of the present invention.

(56) **References Cited**

U.S. PATENT DOCUMENTS

- 2,319,640 A 5/1943 Sink
- 2,963,000 A 12/1960 Fester
- 2,998,795 A 9/1961 Downie et al.
- 3,099,240 A 7/1963 Montague, Jr.
- 3,114,343 A 12/1963 Headrick et al.
- 3,139,853 A 7/1964 McCarthy et al.
- 3,211,119 A 10/1965 Kiekhaefer
- 3,343,512 A 9/1967 Ramussen
- 3,433,195 A 3/1969 Poole
- 3,765,356 A 10/1973 Cook

1 Claim, 5 Drawing Sheets



US D640,179 S

Page 2

U.S. PATENT DOCUMENTS

4,304,557	A	12/1981	Henrich	
4,323,355	A	4/1982	Kondo	
D271,582	S *	11/1983	Knowles	D12/317
4,487,152	A	12/1984	Larson	
4,597,742	A	7/1986	Finkl	
4,708,672	A	11/1987	Bentz et al.	
4,738,644	A	4/1988	Happel	
4,744,779	A	5/1988	Koehler	
4,756,265	A	7/1988	Lane	
D307,130	S *	4/1990	Ellis	D12/317
D308,851	S	6/1990	Templeman	
D311,513	S	10/1990	Templeman	
5,048,449	A	9/1991	Templeman	
5,107,786	A	4/1992	Templeman	
D328,732	S	8/1992	Whitley, II	
5,138,966	A	8/1992	Whitley et al.	
D331,738	S	12/1992	Simpson	
5,178,089	A	1/1993	Hodel	
5,203,275	A	4/1993	Brauner et al.	
5,231,950	A	8/1993	Poulos	
5,307,754	A *	5/1994	Leonardis	114/274
D351,129	S	10/1994	Templeman	
D352,023	S	11/1994	Corn	
5,396,860	A *	3/1995	Cheng	114/315
5,425,663	A	6/1995	Meisenburg et al.	
D363,914	S	11/1995	Corn	
5,493,990	A	2/1996	Dyer	
5,588,390	A *	12/1996	French	114/274
5,638,765	A	6/1997	Poulos	
5,848,922	A	12/1998	Itima et al.	
6,503,110	B2	1/2003	Lammler	
D487,245	S *	3/2004	Geriene et al.	D12/308
D492,242	S *	6/2004	Geriene et al.	D12/300
6,948,441	B2	9/2005	Levine	
7,011,559	B1	3/2006	Moldenhauer	
D533,497	S	12/2006	Templeman	
7,232,355	B2	6/2007	Woolley	
7,270,584	B1	9/2007	Mitchell	
D589,866	S	4/2009	Templeman et al.	
D590,760	S	4/2009	Templeman et al.	
7,520,238	B2	4/2009	Patterson	
D591,664	S	5/2009	Corn	
7,568,443	B2 *	8/2009	Walker	114/162
D615,475	S	5/2010	Corn	

FOREIGN PATENT DOCUMENTS

SE 226596 5/1969

OTHER PUBLICATIONS

Ad from Marine Dynamics, Inc. date unknown (Item 4).
 Advertisement, Doel-fin Boat Stabilizer, Doelcher Products, Inc., 1979 (Item 7).
 Article, Hydrofoils: How Good Are They?, Trailer Boats, Apr. 1994; pgs.cover, 64-69 (Item 10).
 Article, Rig for Range by John L. Beath, Trailer Boats, May 31, 2005 (Item 17).
 Ad from Cabella's website for XR High Performance Hydrofoil Stabilizer, downloaded from Internet early 2006 (Item 20).
 Portion of front of package insert, XRIII hydrofoil, dated 2007 from Marine Dynamics, Inc. (Item 1).
 Portion of back of package insert, XRIII hydrofoil, dated 2007 from Marine Dynamics, Inc. (Item 2).
 Ad from Marine Dynamics, Inc. date unknown (Item 4).
 Article, Build Your Own Ski Boat, Waterski, Nov./Dec. 1994, Author Pierce Hoover (Item 6).
 Advertisement, Doel-fin Boat Stabilizer, Doelcher Products, Inc., 1979 (Item 7).
 Article, Hydrofoils: How Good Are They?, Trailer Boats, Apr. 1994; pgs.cover, 64-69 (Item 10).
 Article, Hydrofoils: How Good Are They? by Jim Barron, 1994 (Item 11).
 Advertisement, Trailer Boats, p. 130 Sting Ray Hydrofoil Stabilizer, 1988 (Item 14).
 Advertisement, Bass Pro, p. 100, 1988 (Item 15).
 Advertisement, p. 36, 1991 (Item 16).
 Article, Rig for Range by John L. Beath, Trailer Boats, May 31, 2005 (Item 17).
 Article, Fin Fight by Jim Barron, Bass & Walleye Boats, Winter 1994 pp. 40-43 (Item 18).
 Article, 10 Cures for Poor Holedshot by John Tiger, Jr., Bass & Walleye Boats, Feb. 2000, pp. 54-56 (Item 19).
 Ad from Cabella's website for XR High Performance Hydrofoil Stabilizer, downloaded from Internet early 2006 (Item 20).
 Tech Letter re SE Sport hydrofoil, Trailer Boats, Aug. 2005, p. 76 (Item 21).
 Ad, SE Sport hydrofoil, Go Boating, Apr. 2005, p. 36 (Item 22).
 Ad XR hydrofoil, Boating Life, Feb. 2006, p. 94 (Item 23).

* cited by examiner

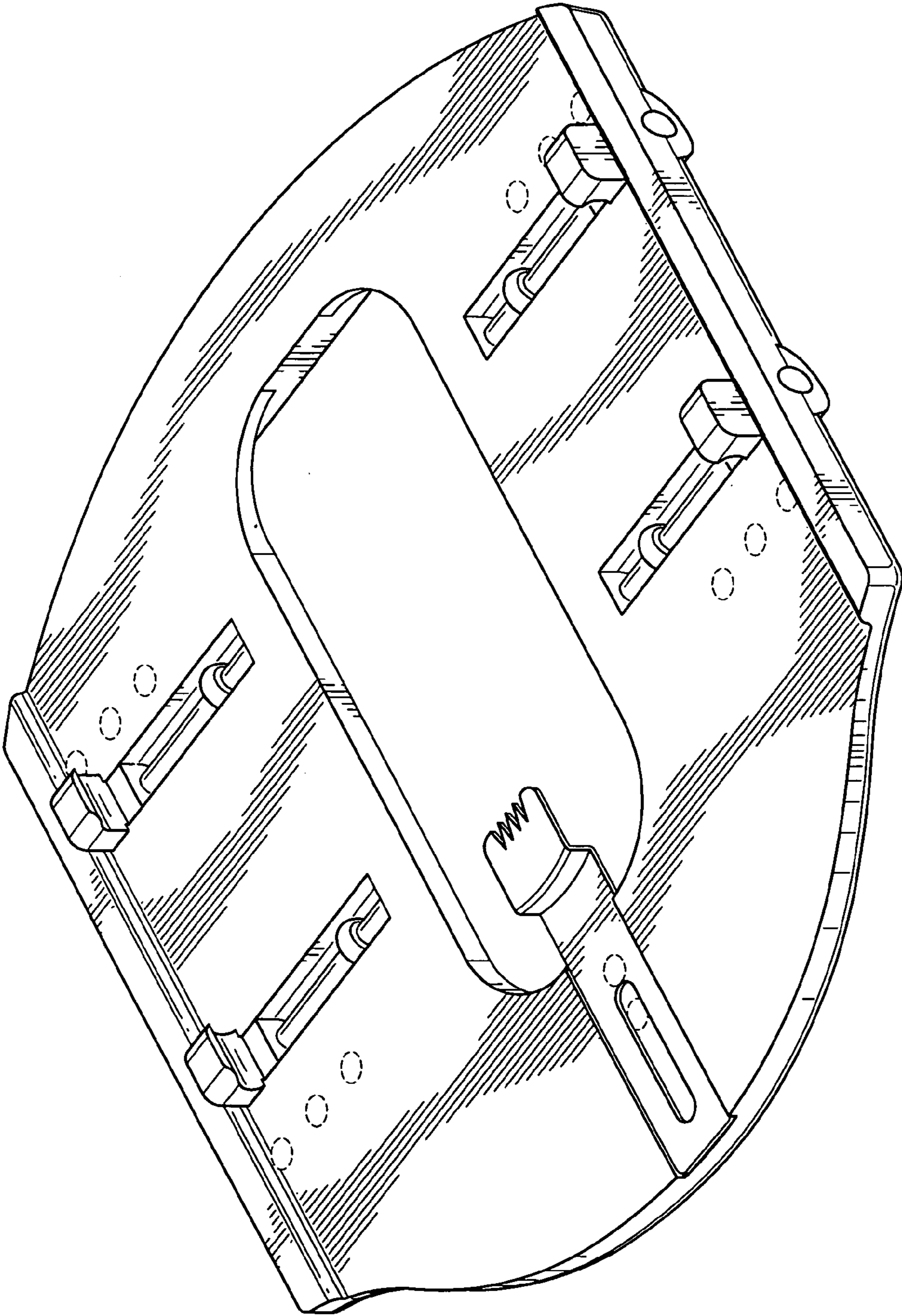


FIG. 1

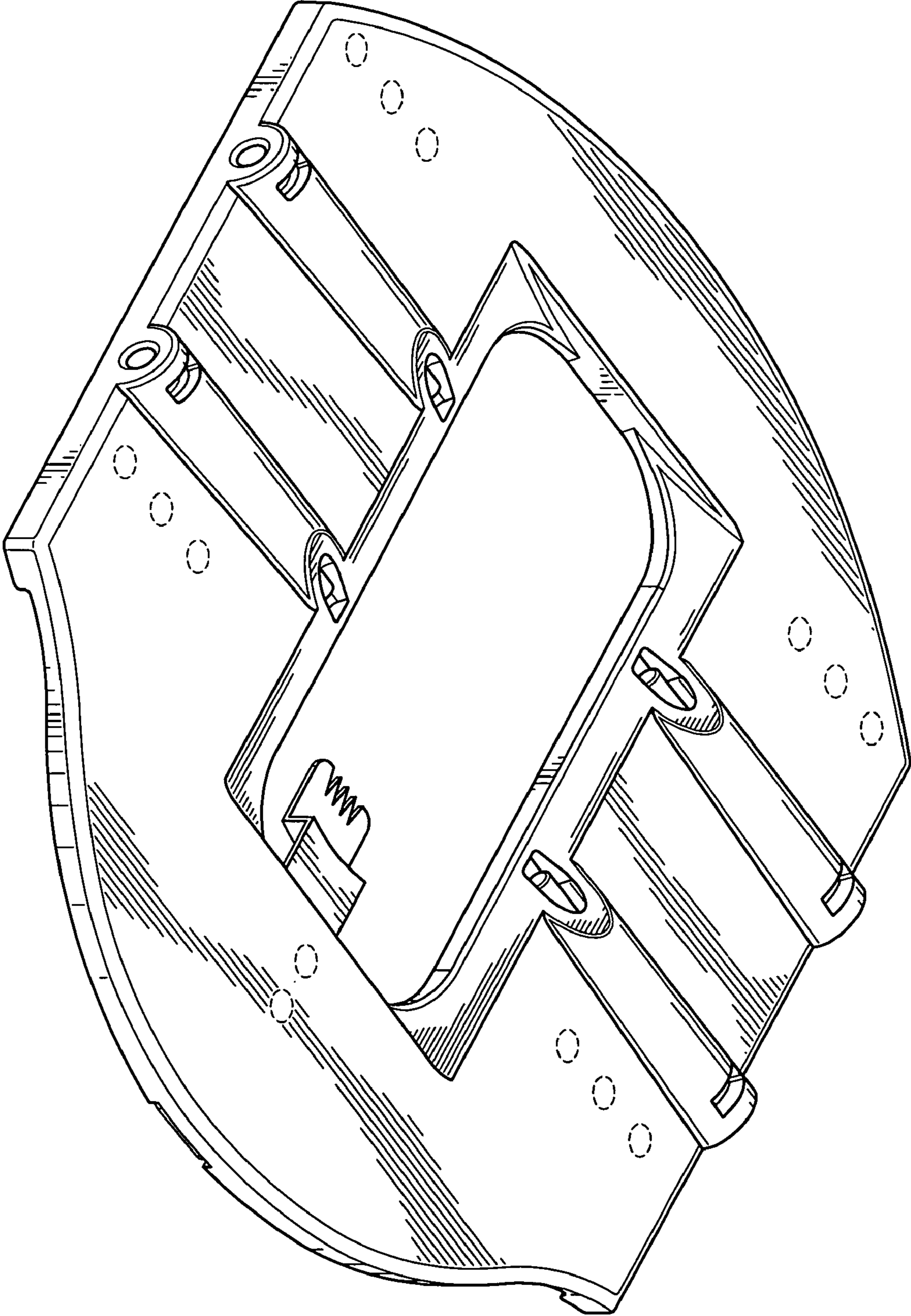


FIG. 2

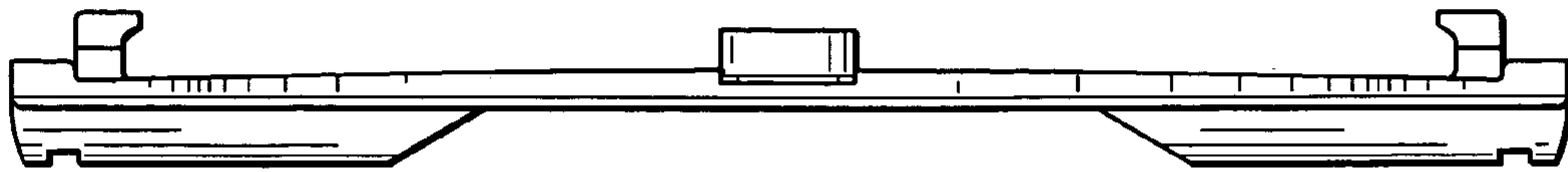


FIG. 3

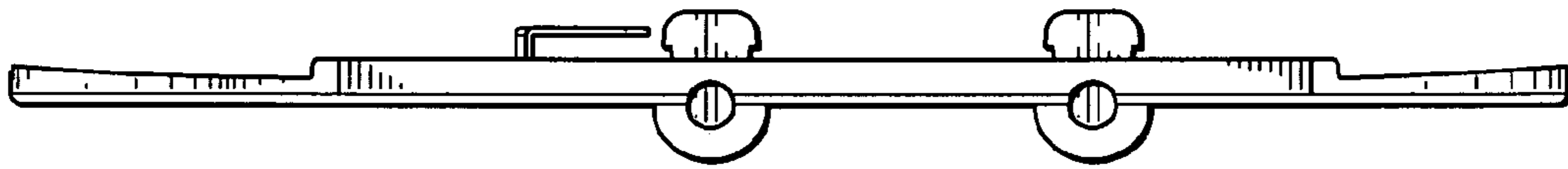


FIG. 4

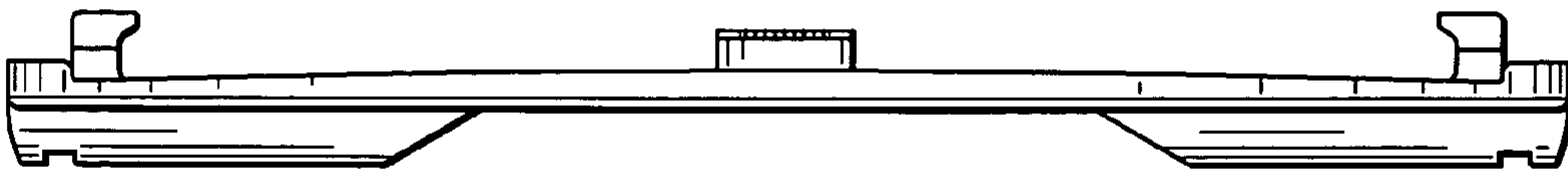


FIG. 5

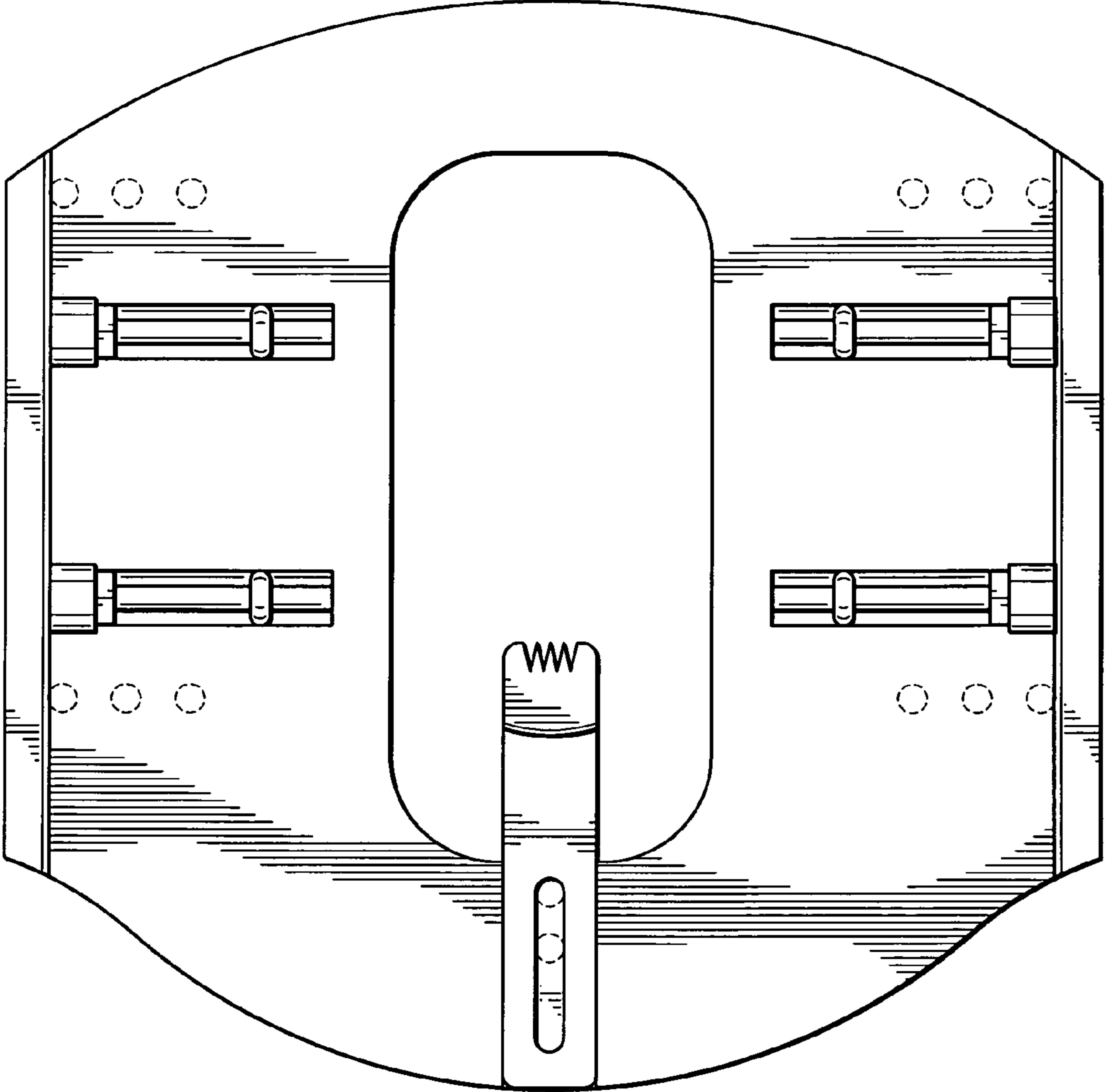


FIG. 6

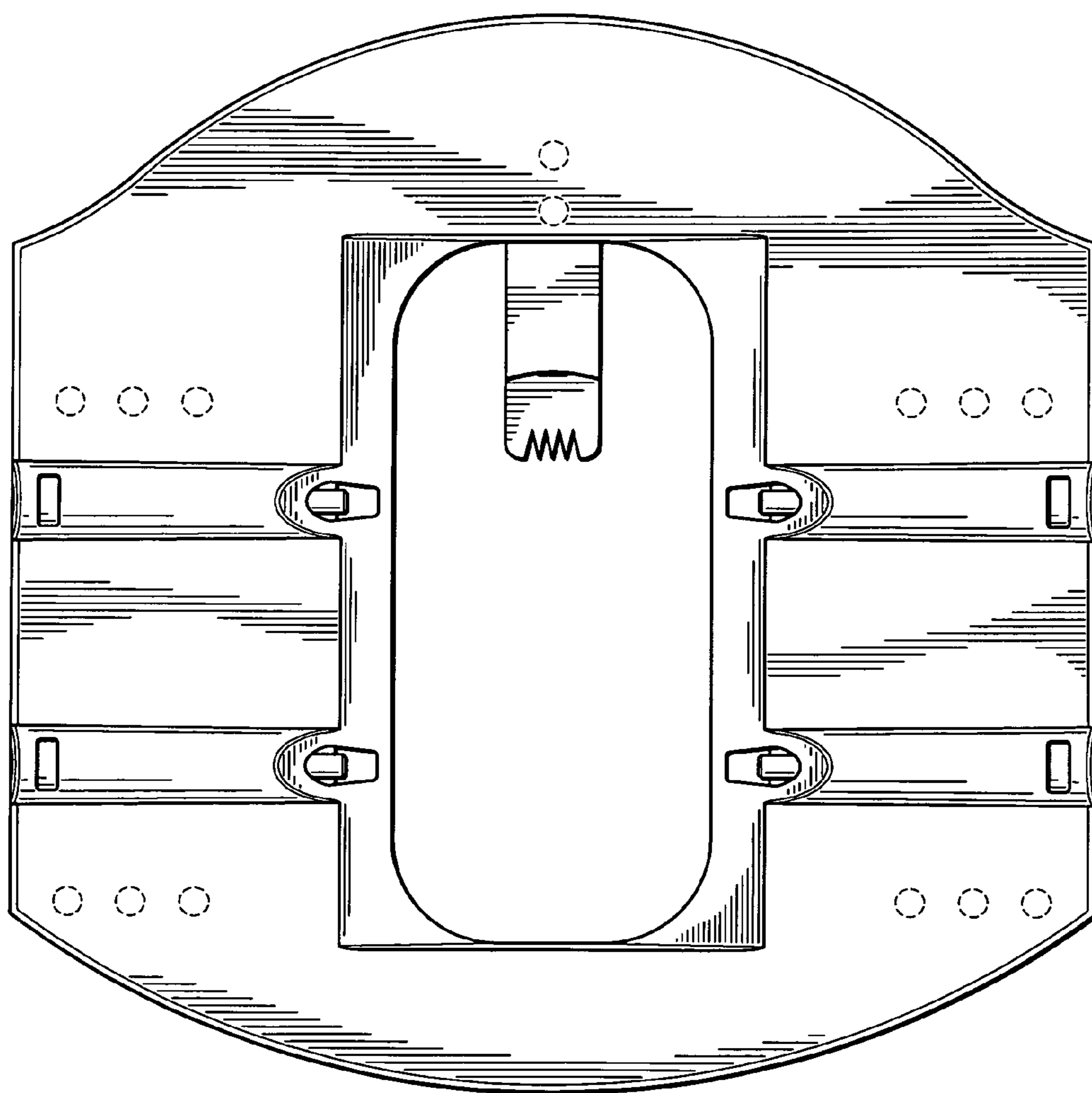


FIG. 7