



US00D640178S

(12) **United States Design Patent**
Groom

(10) **Patent No.:** **US D640,178 S**
(45) **Date of Patent:** **** Jun. 21, 2011**

- (54) **WHEEL**
- (75) **Inventor:** **Colbey Groom, Murrieta, CA (US)**
- (73) **Assignee:** **Wheel Pros, LLC, Lakewood, CO (US)**
- (**) **Term:** **14 Years**
- (21) **Appl. No.:** **29/383,463**
- (22) **Filed:** **Jan. 18, 2011**
- (51) **LOC (9) Cl.** **12-16**
- (52) **U.S. Cl.** **D12/211**
- (58) **Field of Classification Search** D12/204-213;
301/37.101, 64.101, 65, 64.201
See application file for complete search history.

(56) **References Cited**

U.S. PATENT DOCUMENTS

D470,449 S *	2/2003	Bernoni	D12/211
D477,265 S *	7/2003	Chung	D12/211
D548,167 S *	8/2007	Groom	D12/211
D579,396 S *	10/2008	Osborne	D12/209
D613,229 S *	4/2010	Antoniadis et al.	D12/211
D614,111 S *	4/2010	Tant et al.	D12/211
D620,863 S *	8/2010	Groom	D12/209
D625,241 S *	10/2010	Zhao	D12/211
D629,347 S *	12/2010	Kim	D12/211

* cited by examiner

Primary Examiner — Stacia Cadmus

(74) *Attorney, Agent, or Firm* — Garcia-Zamor IP Law; Ruy M. Garcia-Zamor

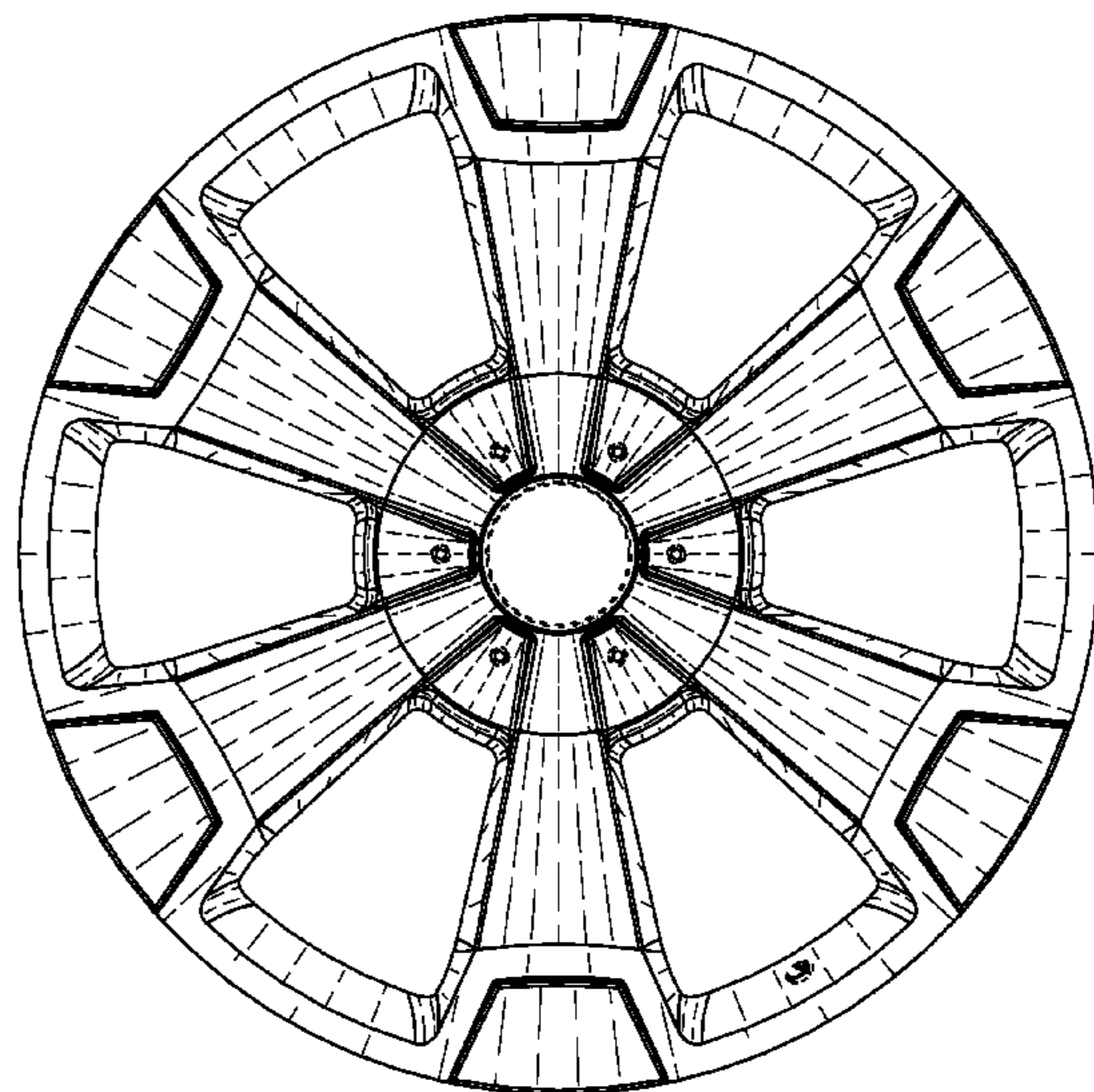
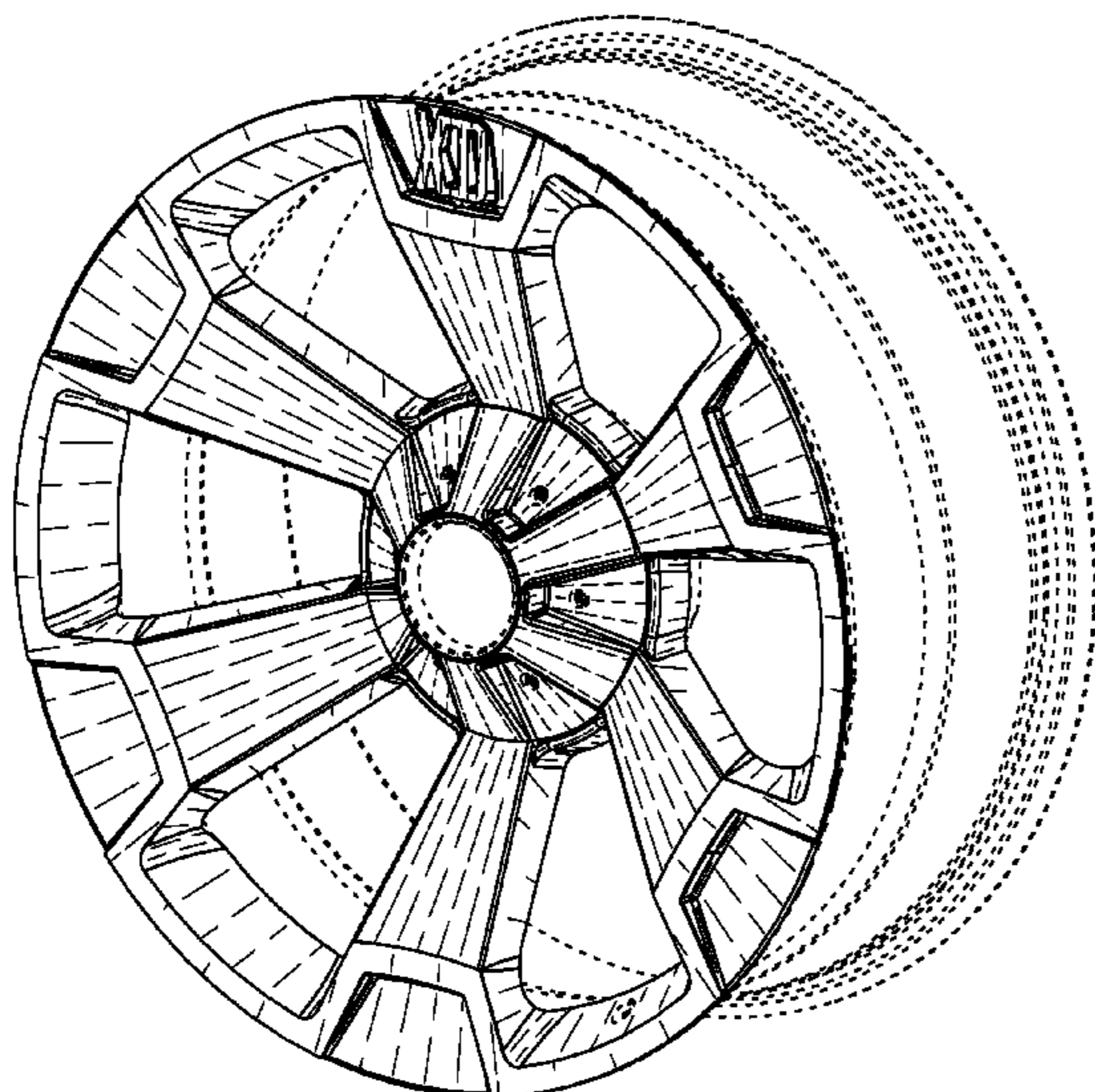
(57) **CLAIM**
The ornamental design for a wheel, as shown and described.

DESCRIPTION

FIG. 1 is a perspective view of a wheel according to a first preferred embodiment of my new design;

FIG. 2 is a front elevational view of the wheel of FIG. 1;
 FIG. 3 is a left side elevational view of the wheel of FIG. 1, the right side elevational view of the wheel of FIG. 1 is a mirror image of FIG. 3;
 FIG. 4 is a top plan view of the wheel of FIG. 1;
 FIG. 5 is a bottom plan view of the wheel of FIG. 1;
 FIG. 6 is a rear elevational view of the wheel of FIG. 1;
 FIG. 7 is a perspective view of a wheel according to a second preferred embodiment of my new design;
 FIG. 8 is a front elevational view of the wheel of FIG. 7;
 FIG. 9 is a left side elevational view of the wheel of FIG. 7, the right side elevational view of the wheel of FIG. 7 is a mirror image of FIG. 9;
 FIG. 10 is a top plan view of the wheel of FIG. 7;
 FIG. 11 is a bottom plan view of the wheel of FIG. 7;
 FIG. 12 is a rear elevational view of the wheel of FIG. 7;
 FIG. 13 is a perspective view of a wheel according to a third preferred embodiment of my new design;
 FIG. 14 is a front elevational view of the wheel of FIG. 13;
 FIG. 15 is a left side elevational view of the wheel of FIG. 13, the right side elevational view of the wheel of FIG. 13 is a mirror image of FIG. 15;
 FIG. 16 is a top plan view of the wheel of FIG. 13;
 FIG. 17 is a bottom plan view of the wheel of FIG. 13;
 FIG. 18 is a rear elevational view of the wheel of FIG. 13;
 FIG. 19 is a perspective view of a wheel according to a fourth preferred embodiment of my new design;
 FIG. 20 is a front elevational view of the wheel of FIG. 19;
 FIG. 21 is a left side elevational view of the wheel of FIG. 19, the right side elevational view of the wheel of FIG. 19 is a mirror image of FIG. 21;
 FIG. 22 is a top plan view of the wheel of FIG. 19;
 FIG. 23 is a bottom plan view of the wheel of FIG. 19; and
 FIG. 24 is a rear elevational view of the wheel of FIG. 19.
 The broken lines in FIGS. 1-24 represent environment and are for illustrative purposes only and do not constitute part of the claimed design.

1 Claim, 20 Drawing Sheets



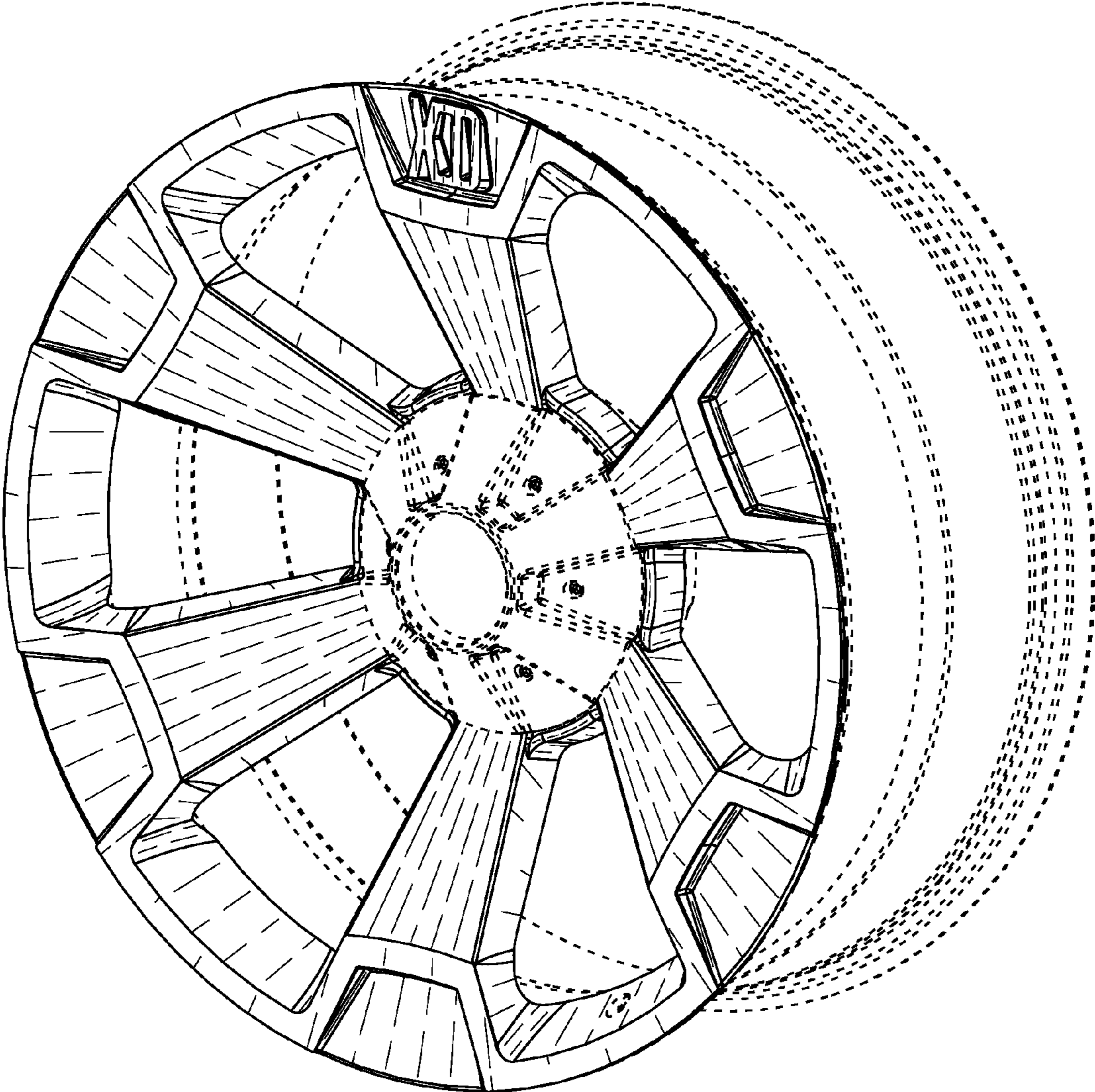


FIG. 1

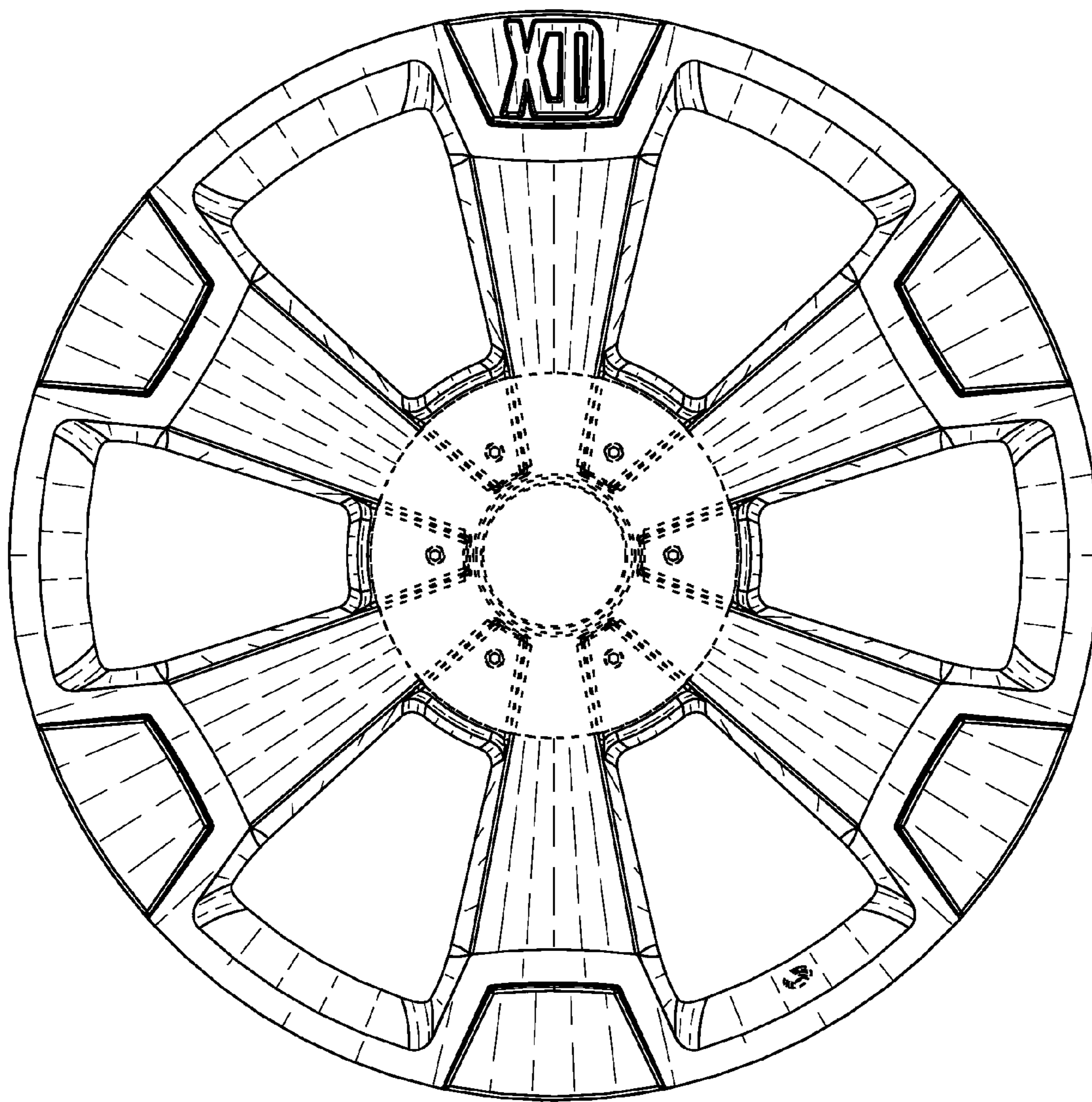


FIG. 2

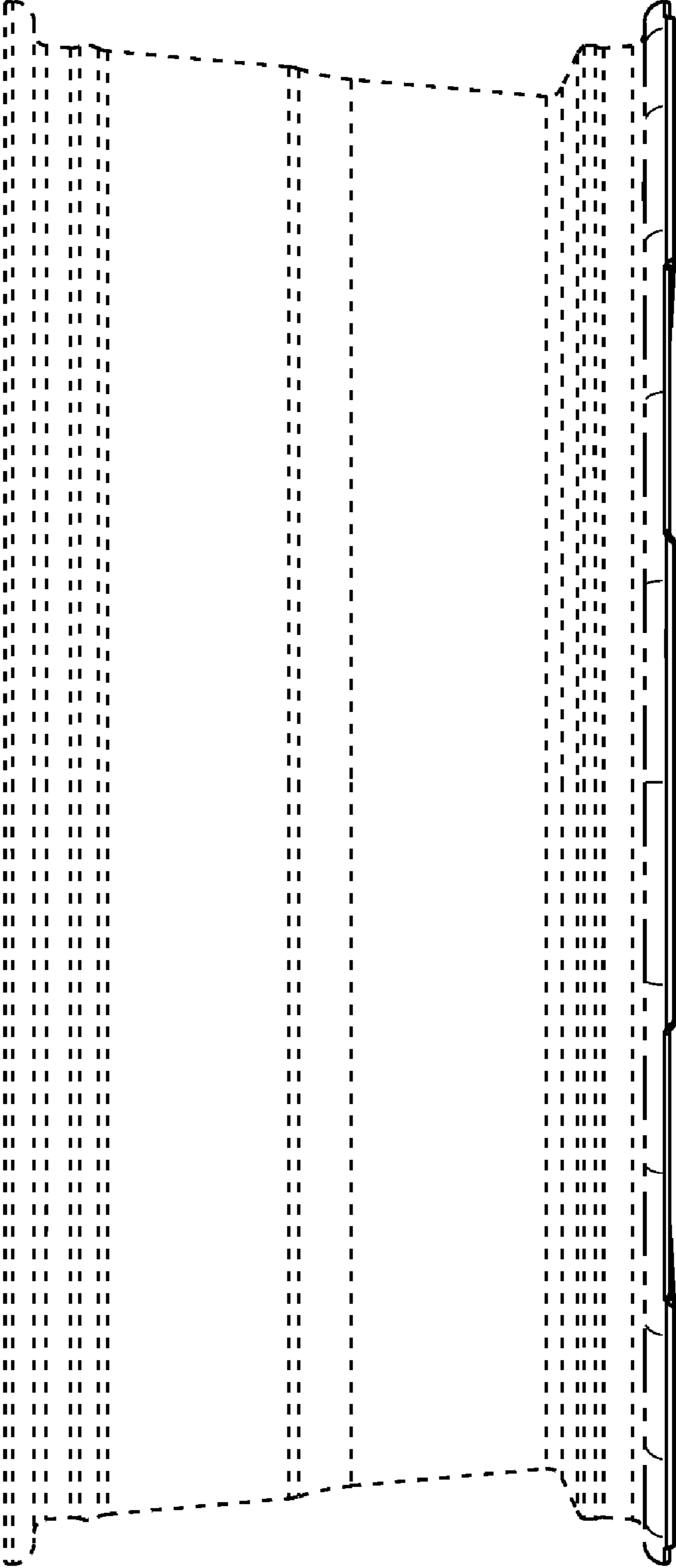


FIG. 3

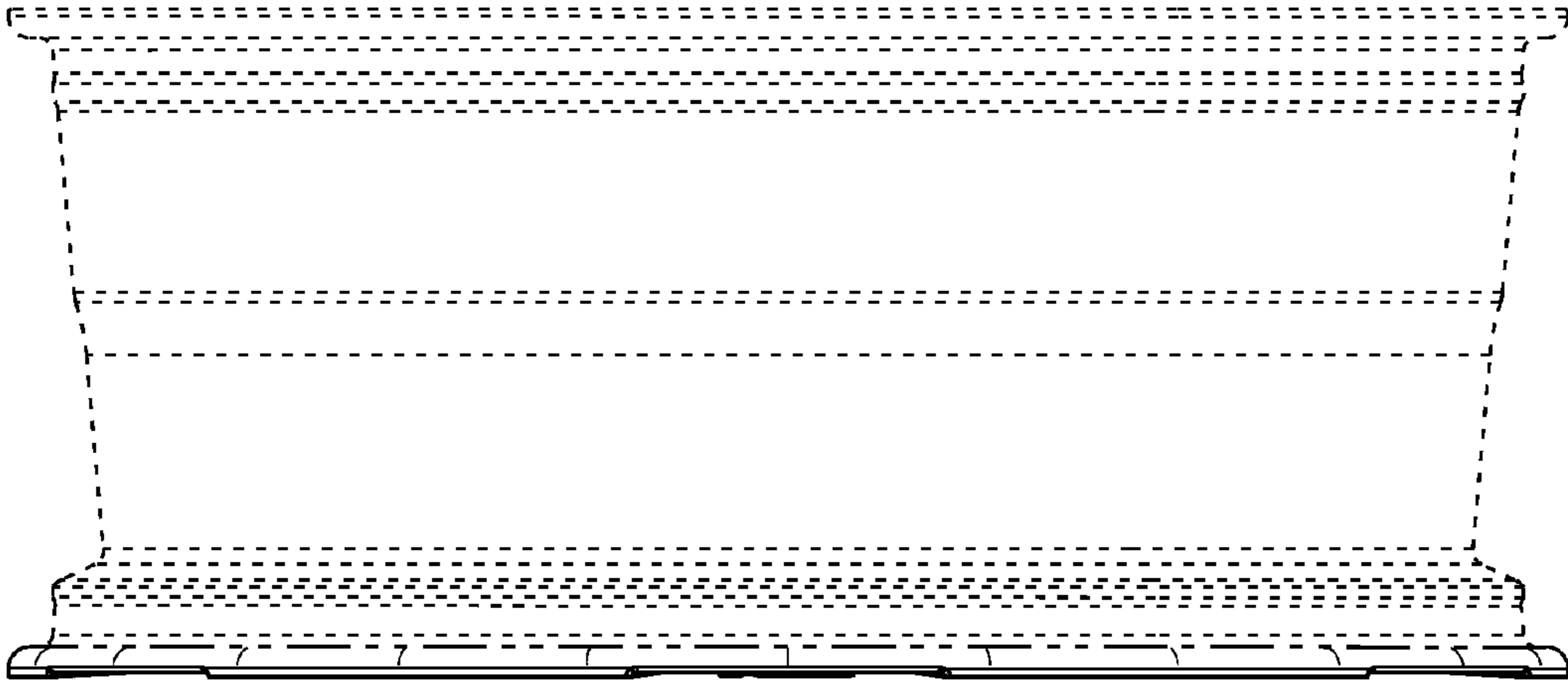


FIG. 4

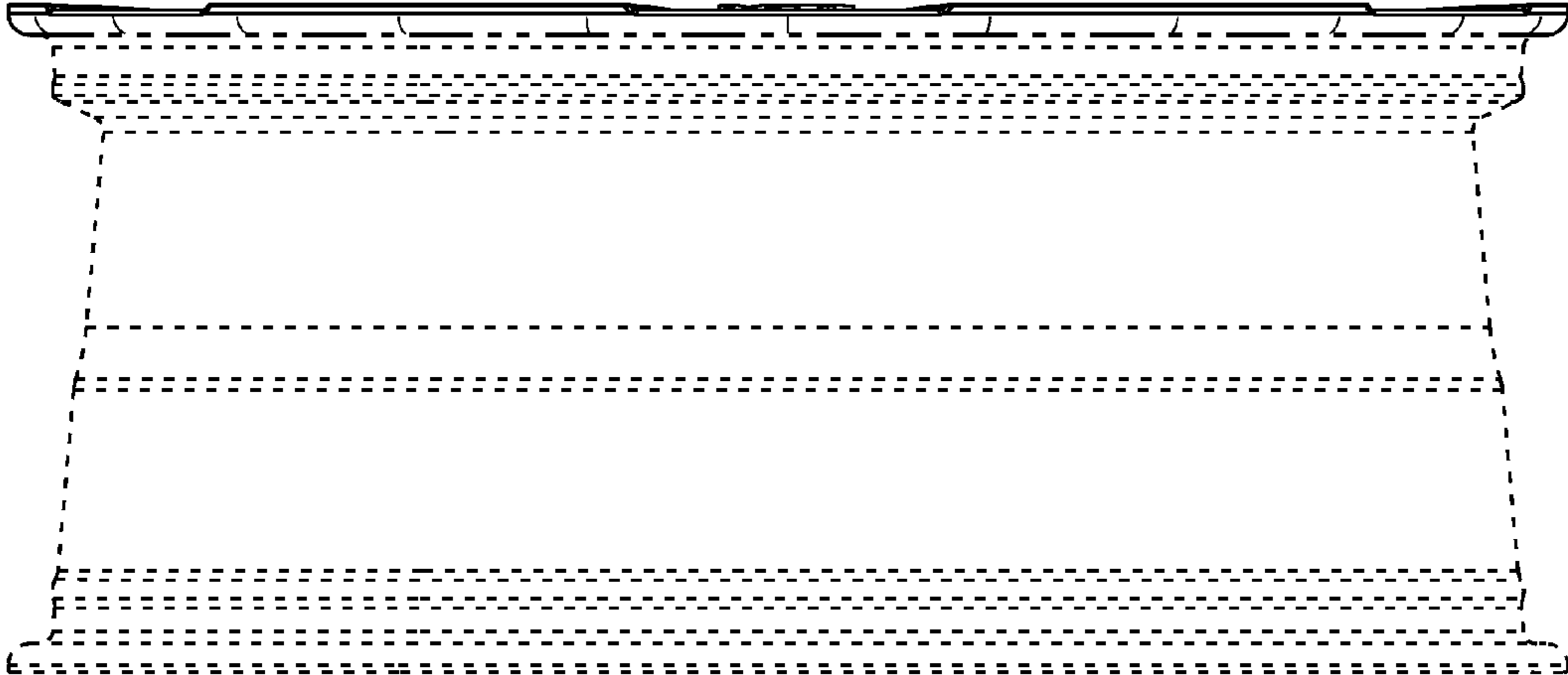


FIG. 5

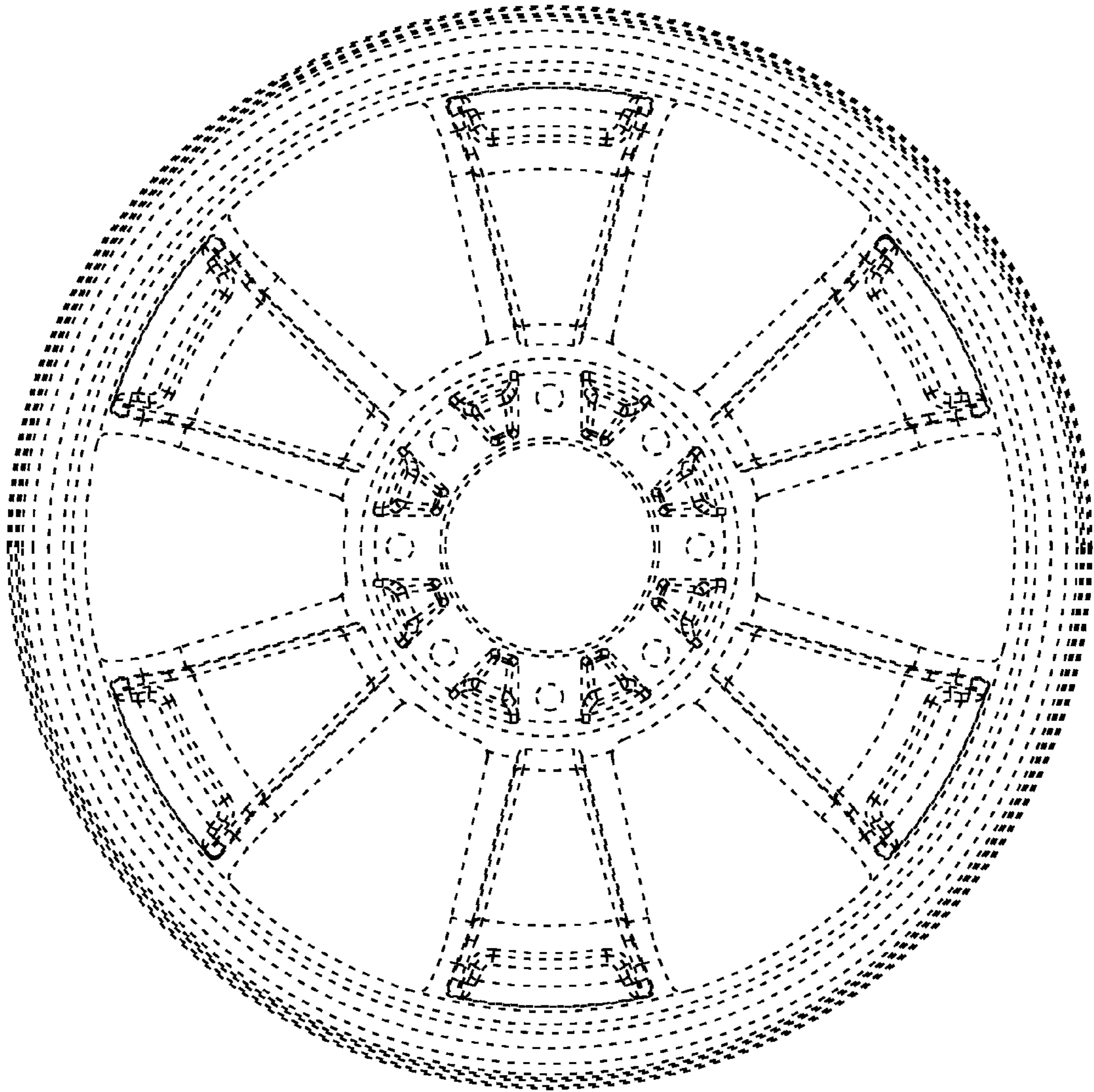


FIG. 6

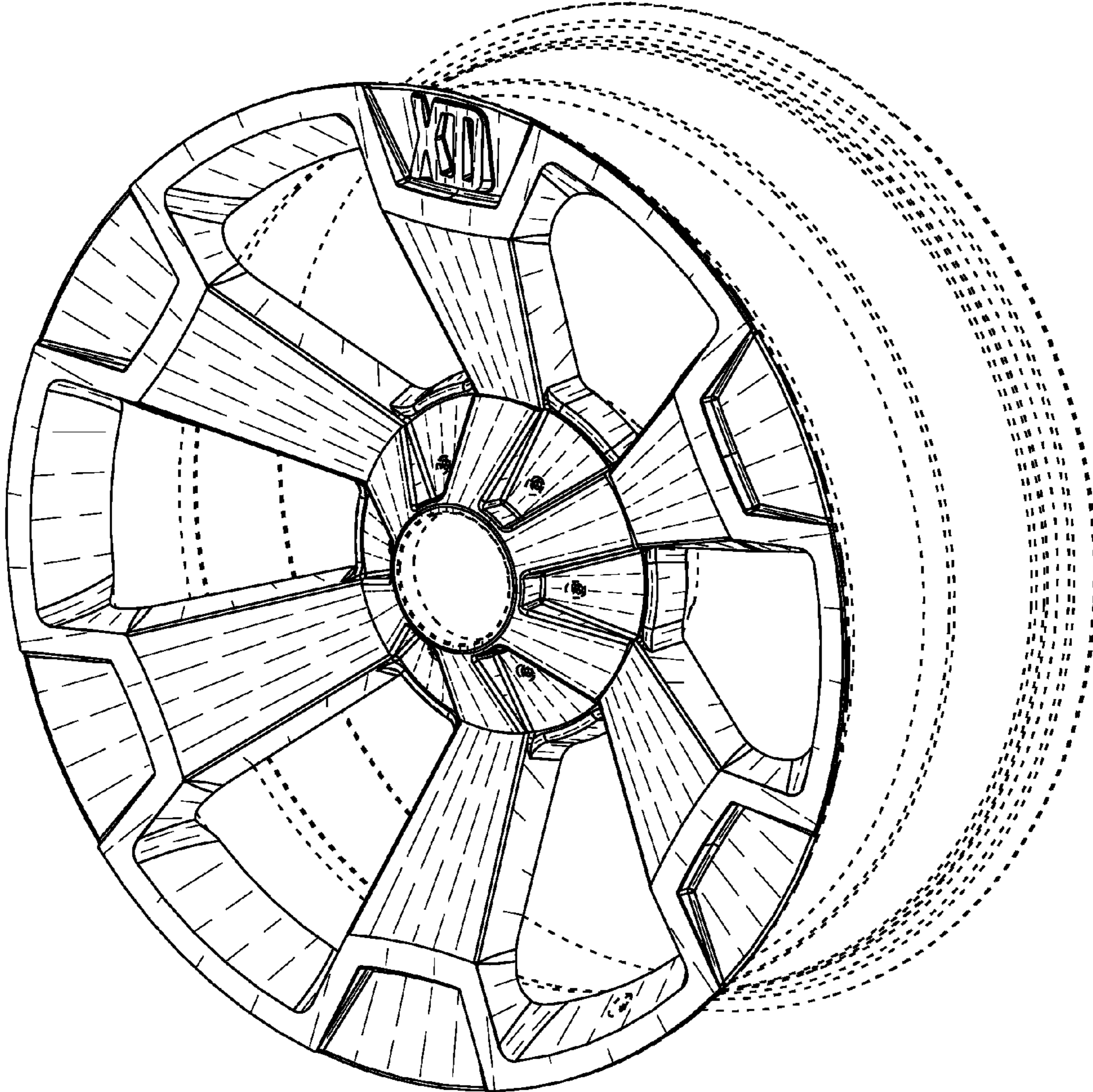


FIG. 7

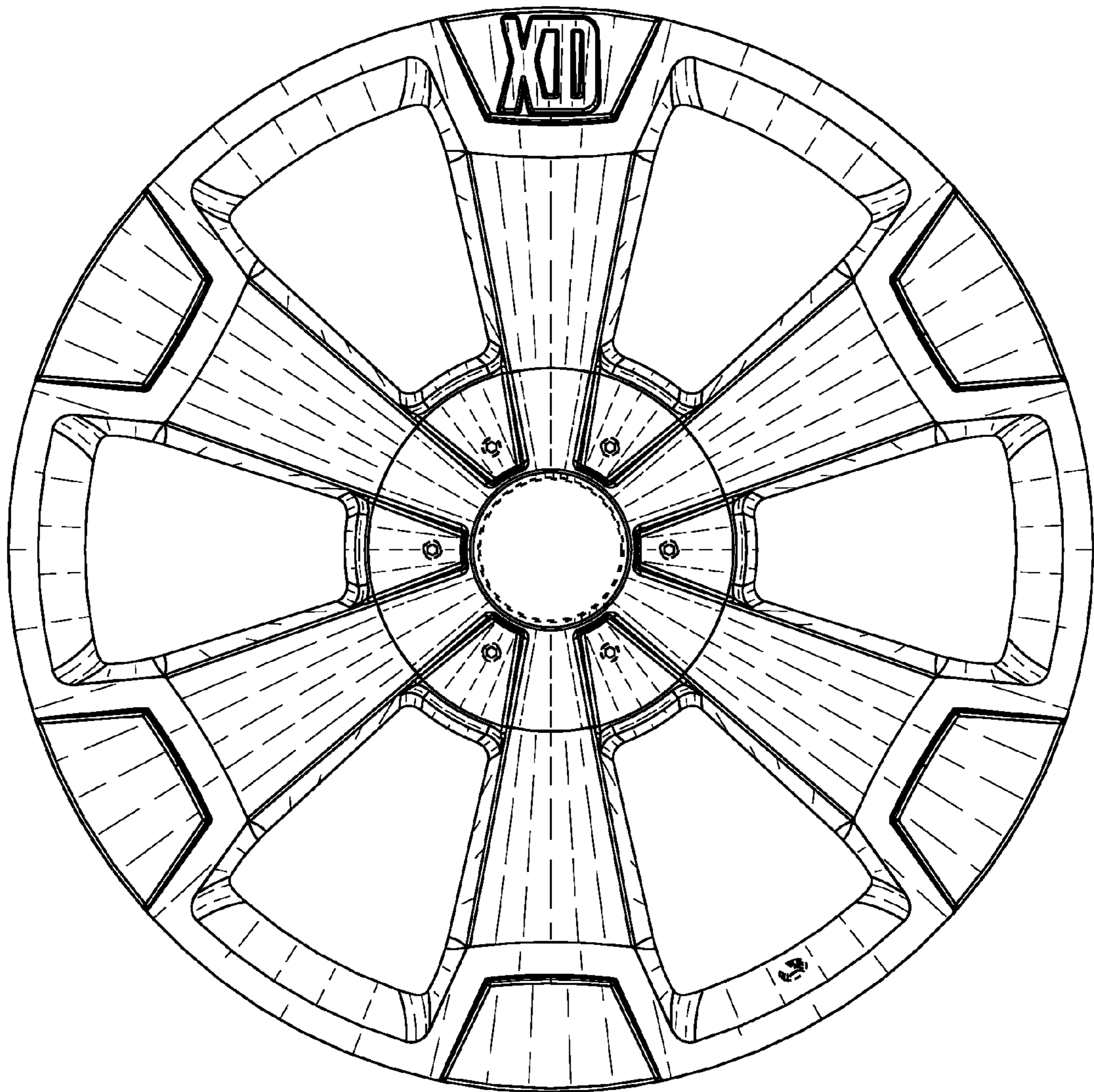


FIG. 8

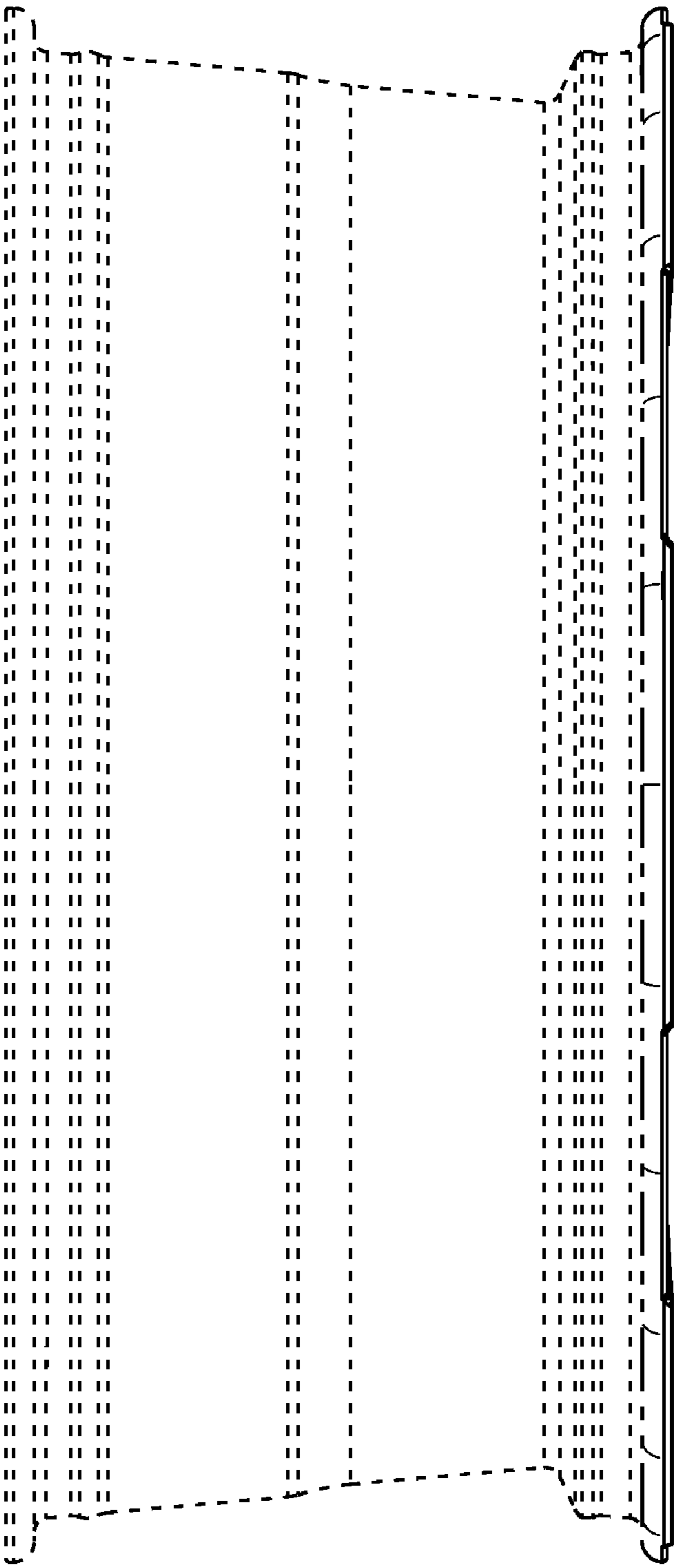


FIG. 9

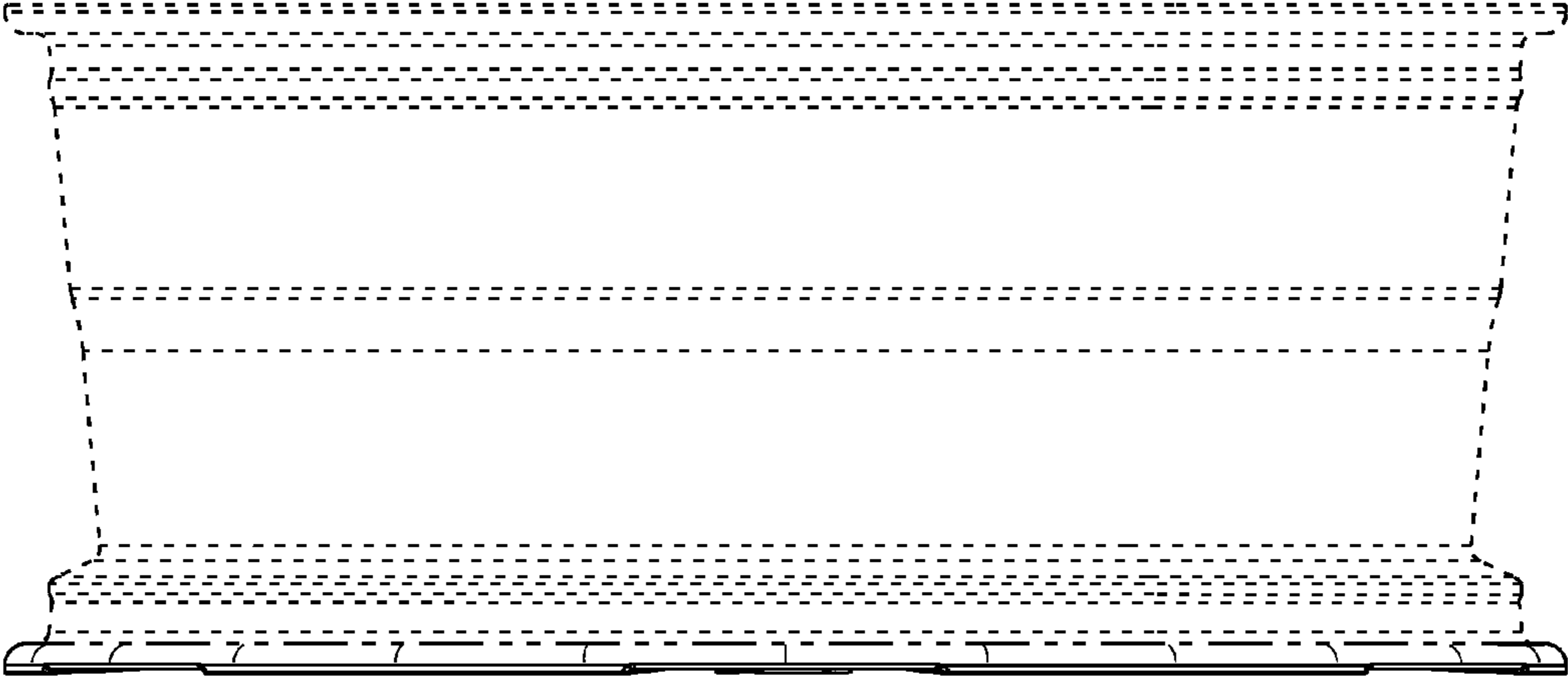


FIG. 10

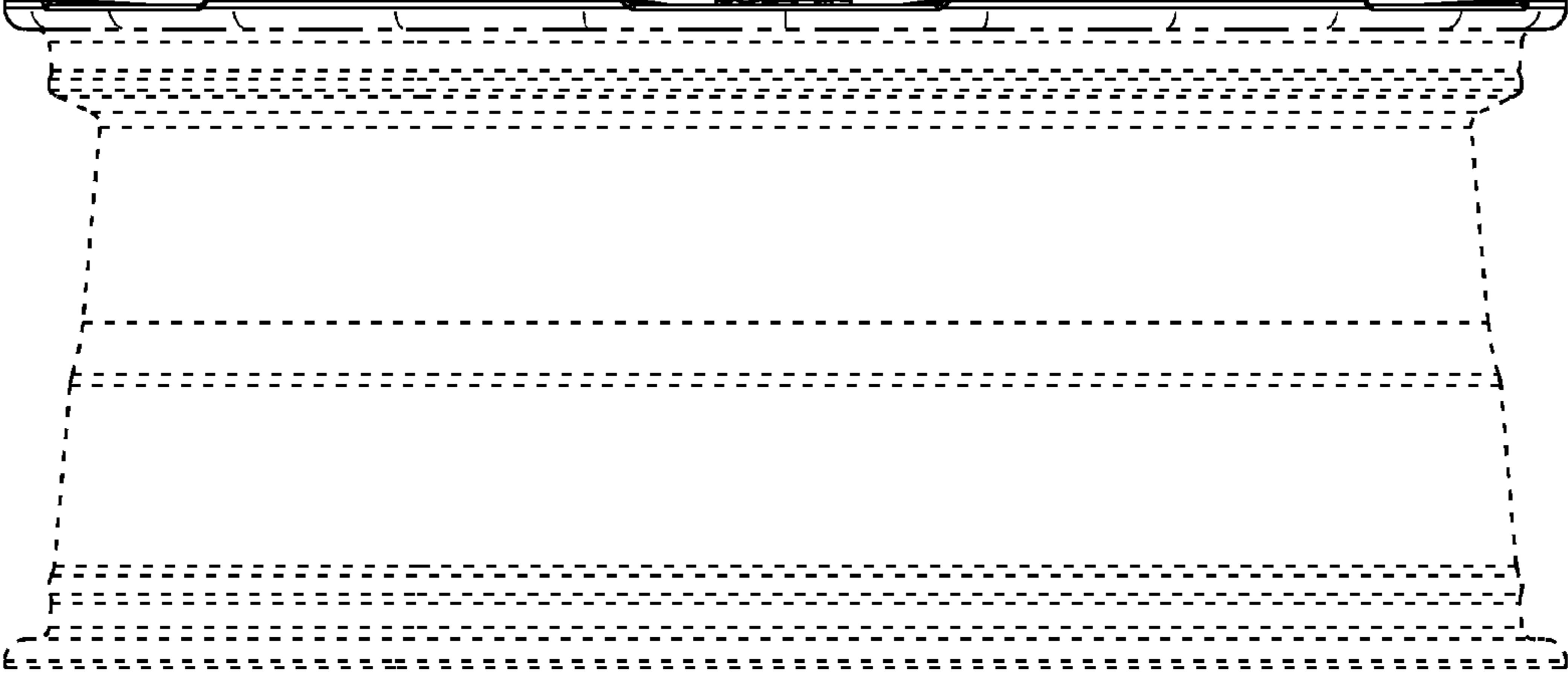


FIG. 11

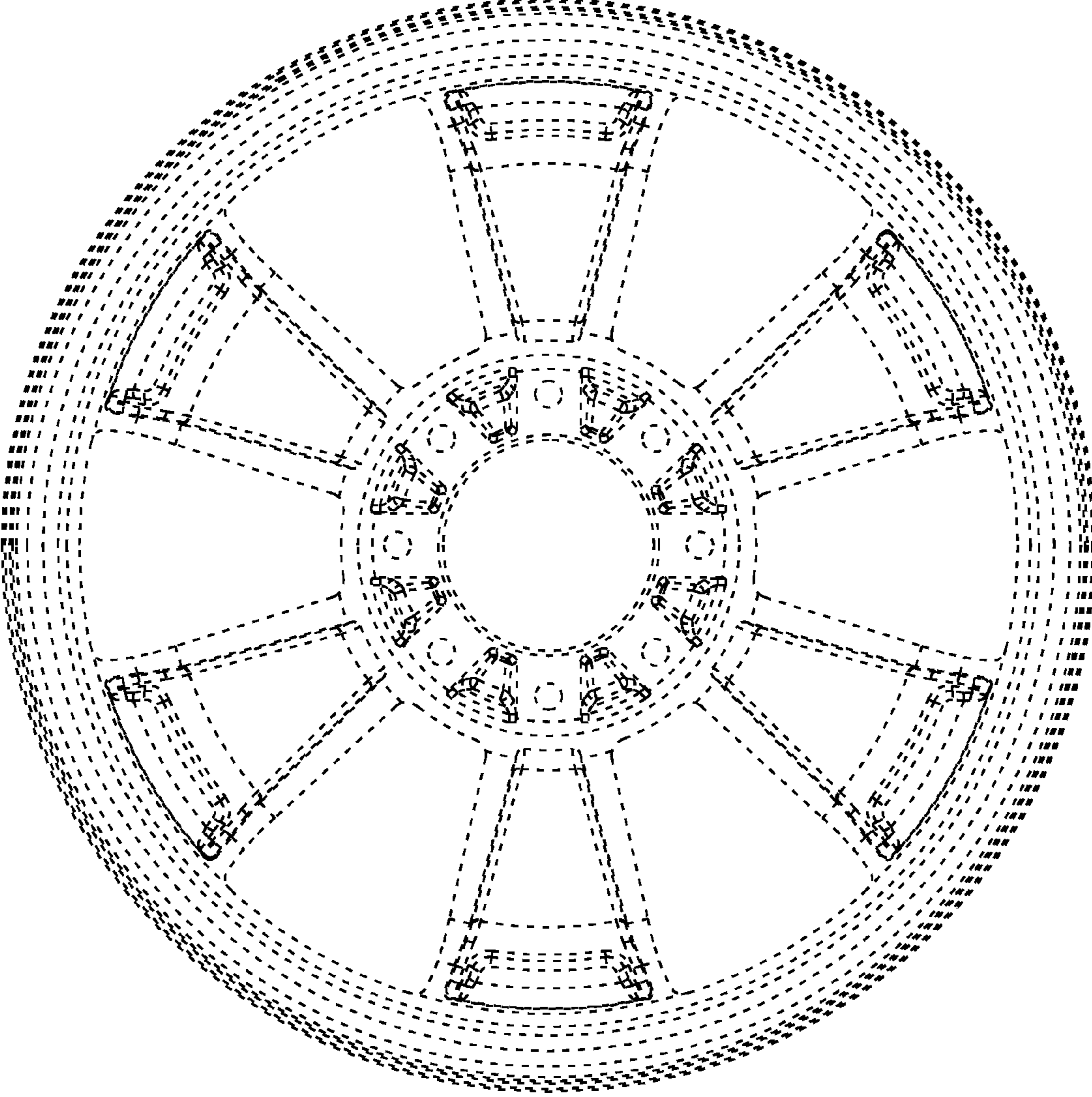


FIG. 12

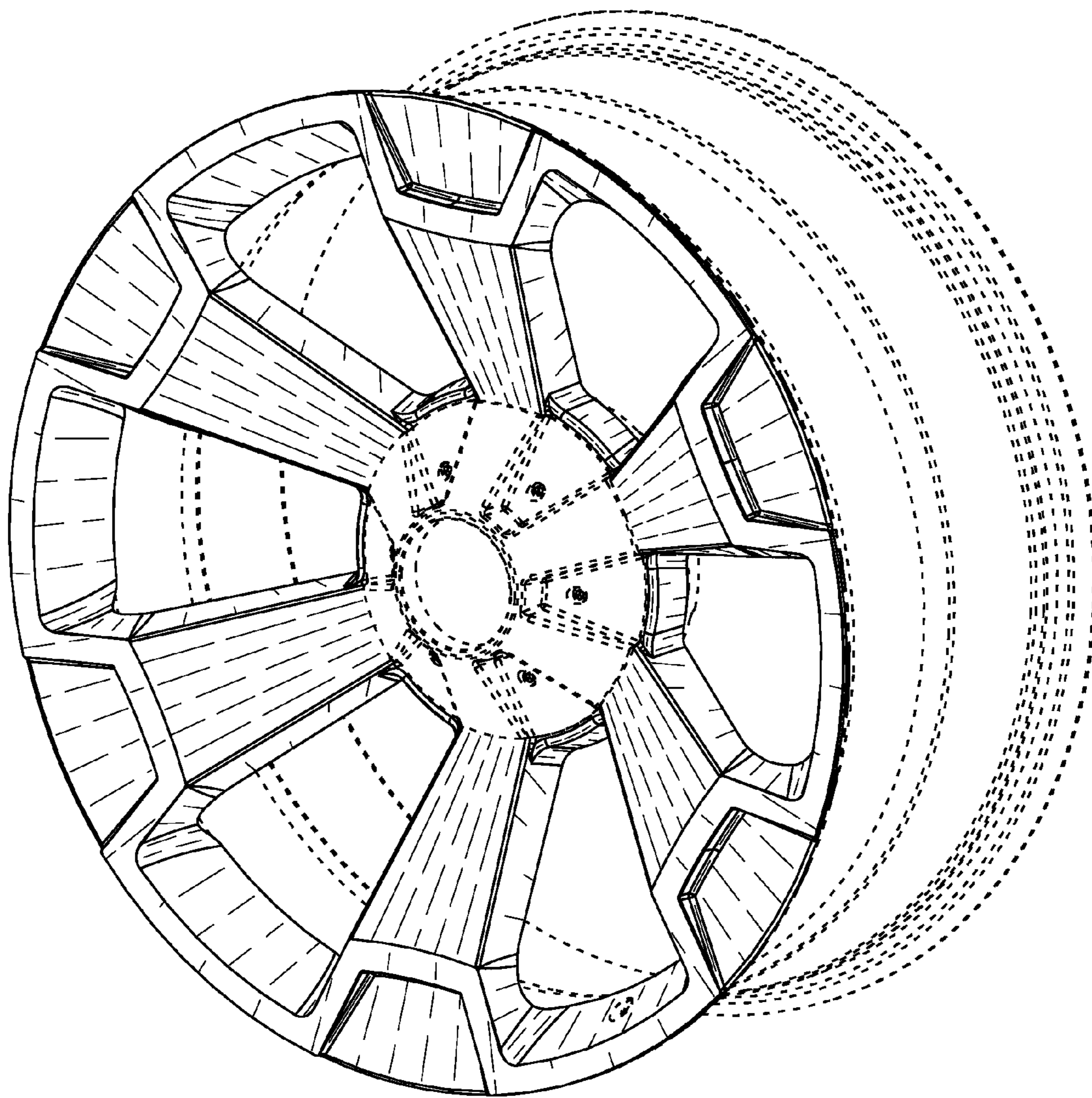


FIG. 13

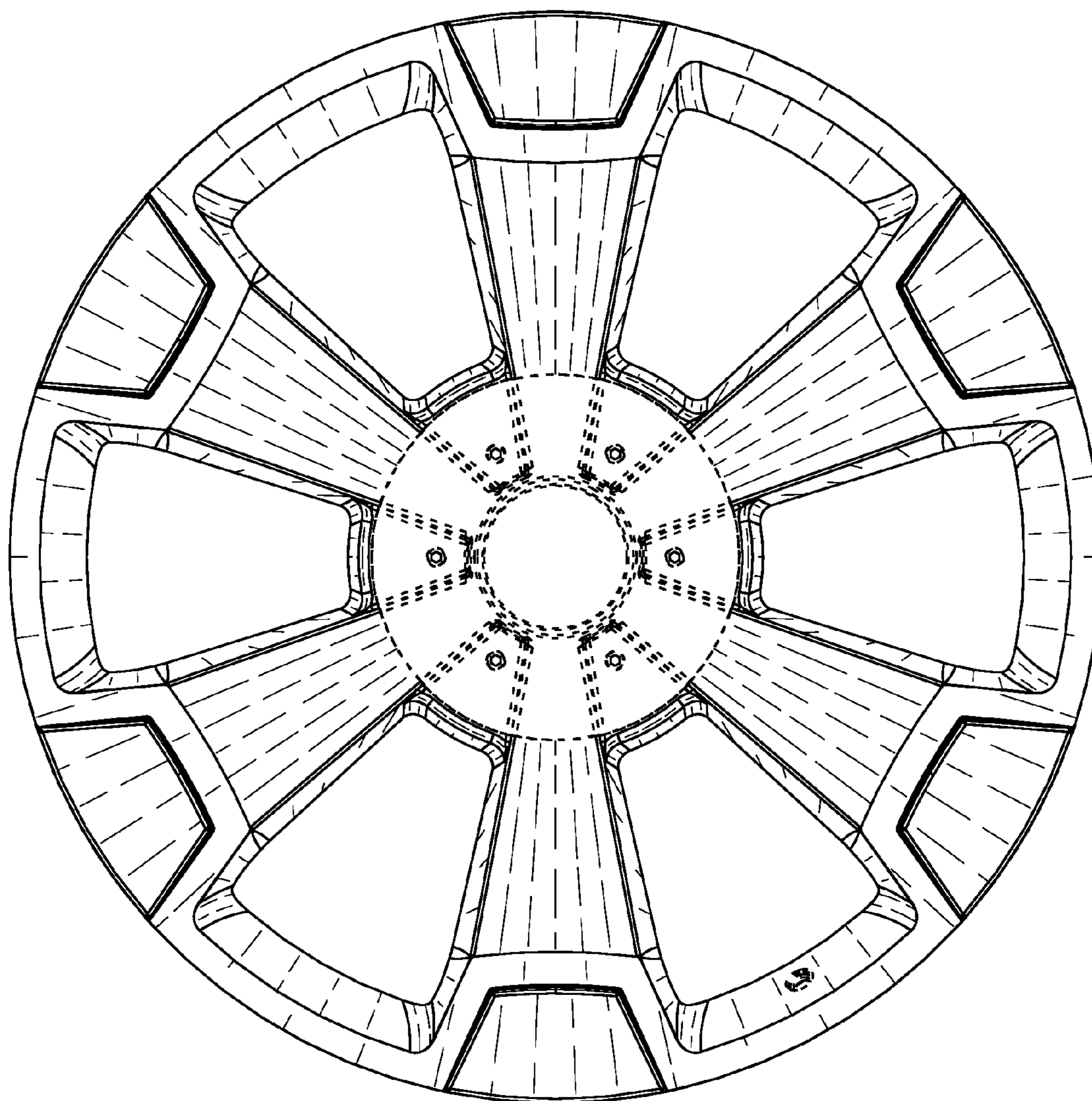


FIG. 14

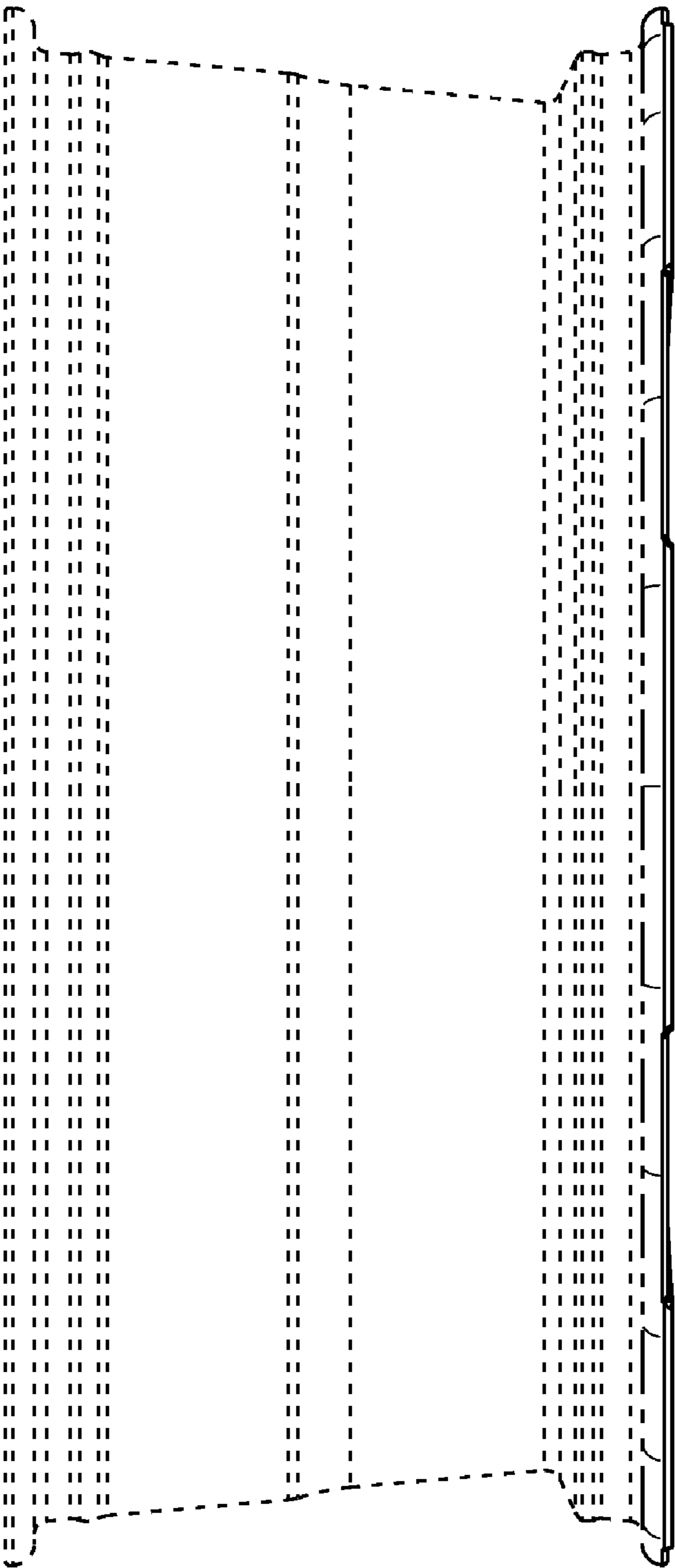


FIG. 15

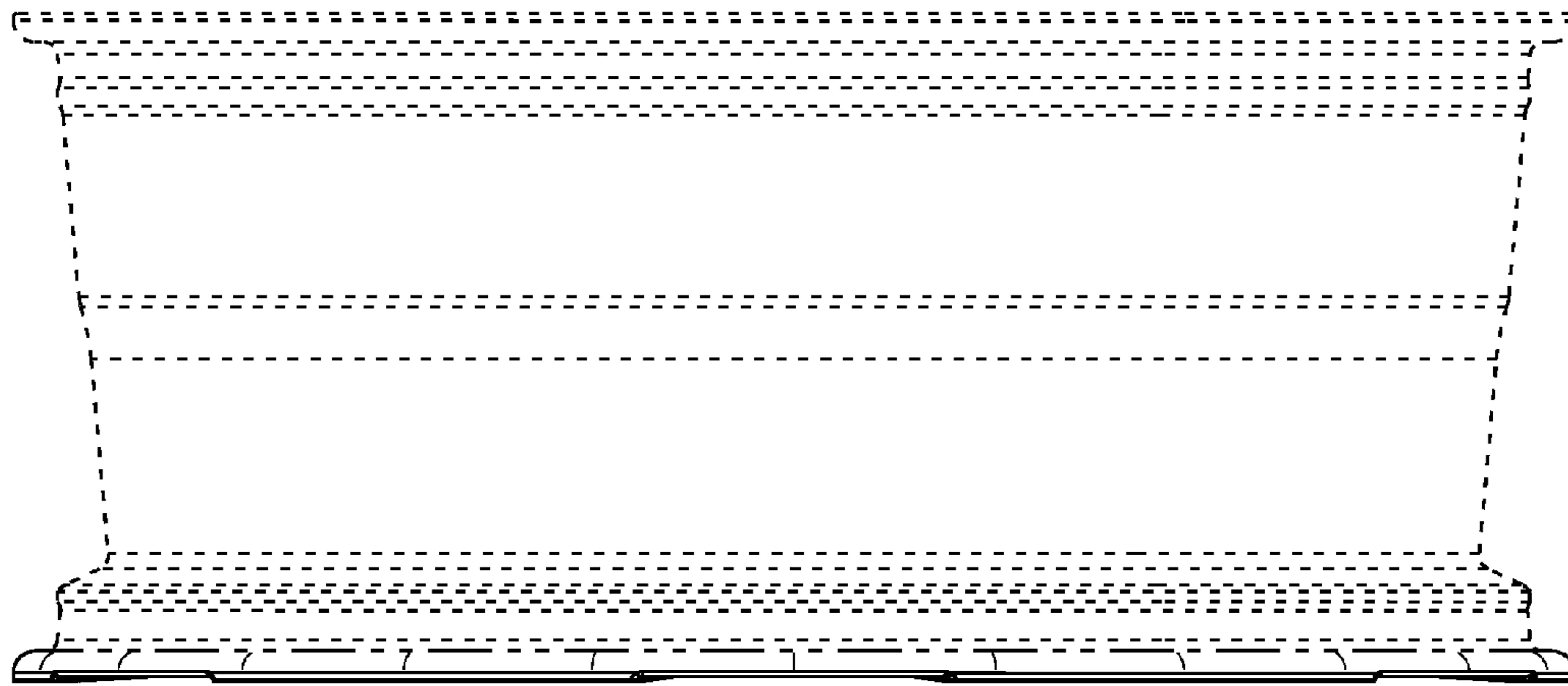


FIG. 16

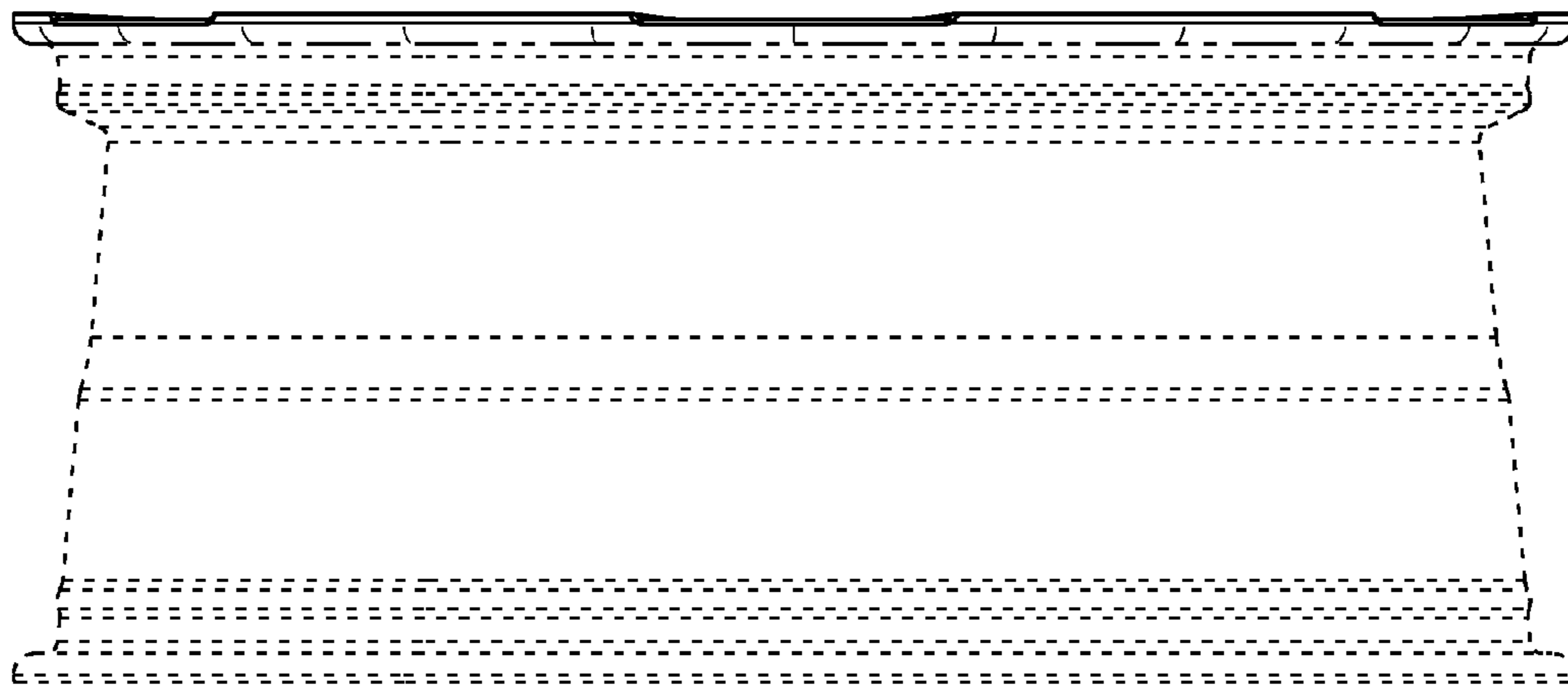


FIG. 17

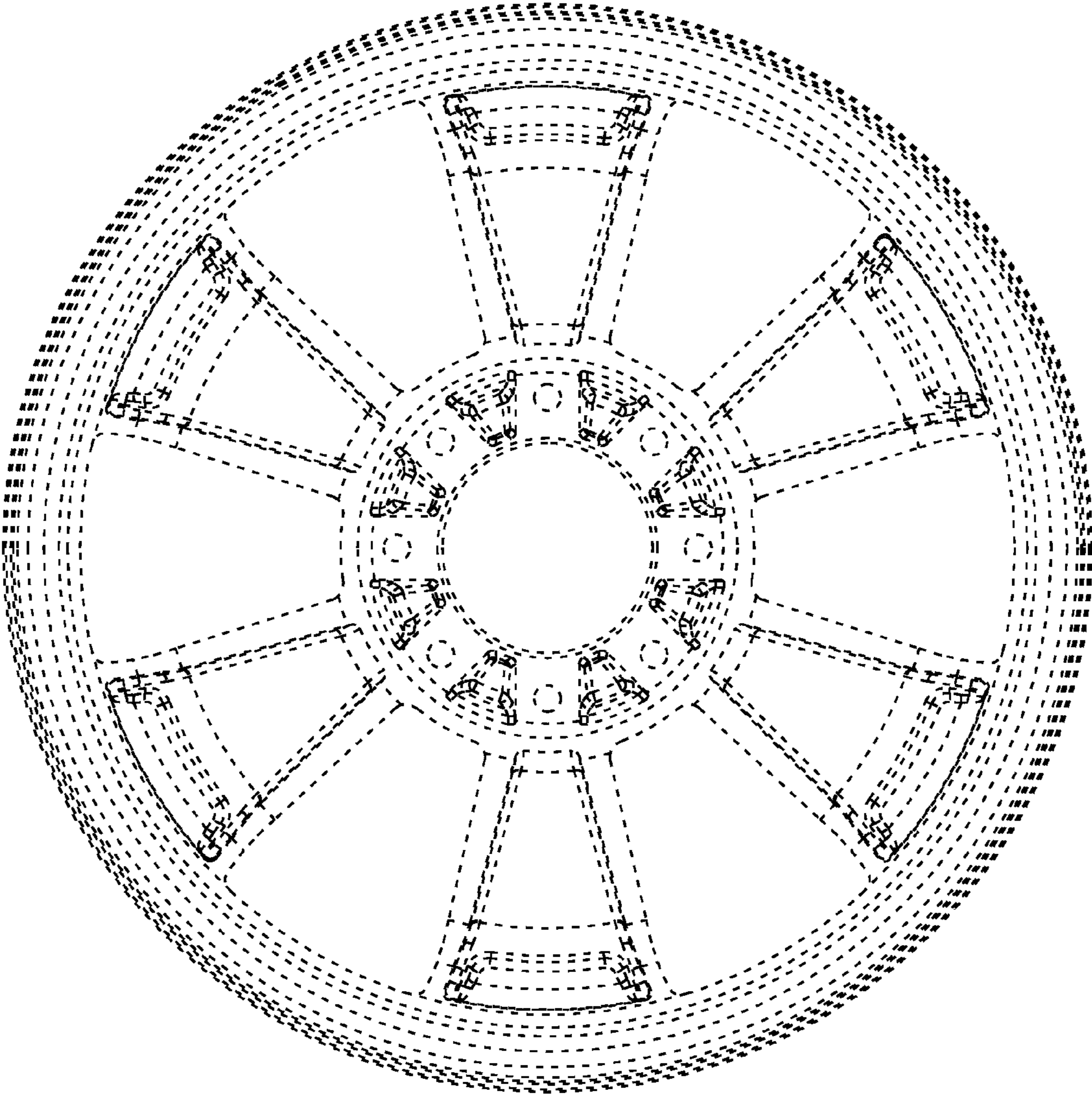


FIG. 18

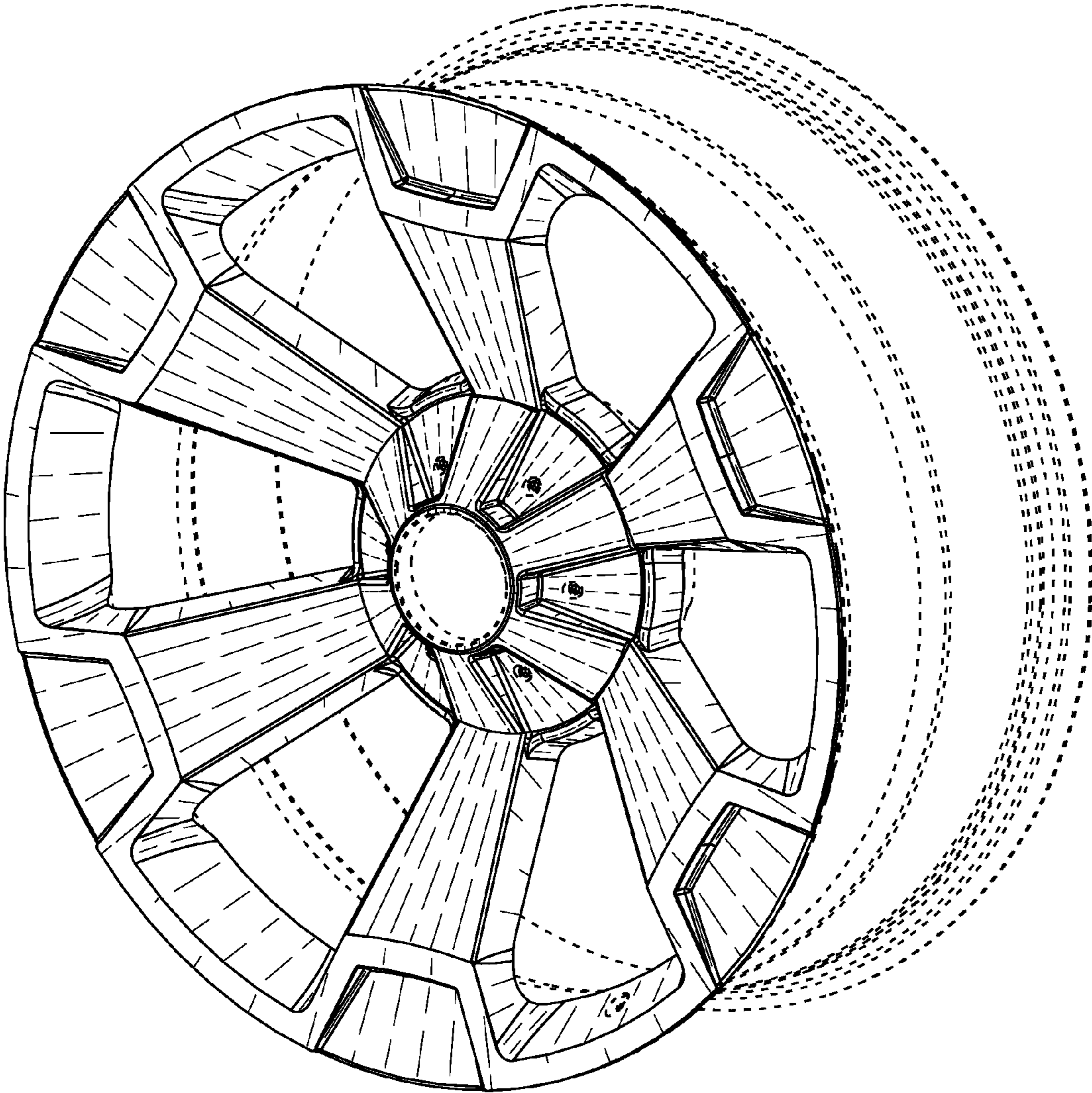


FIG. 19

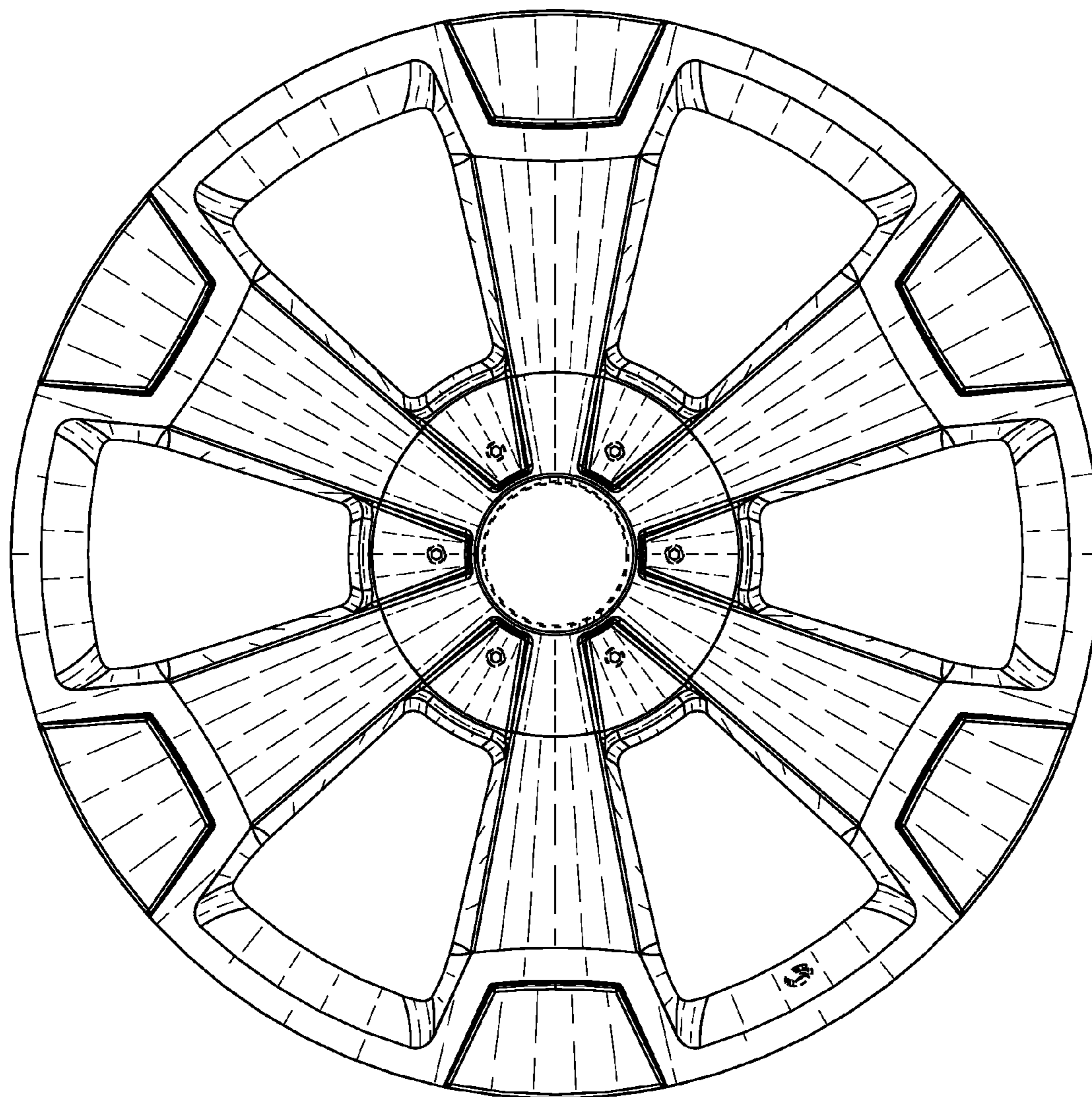


FIG. 20

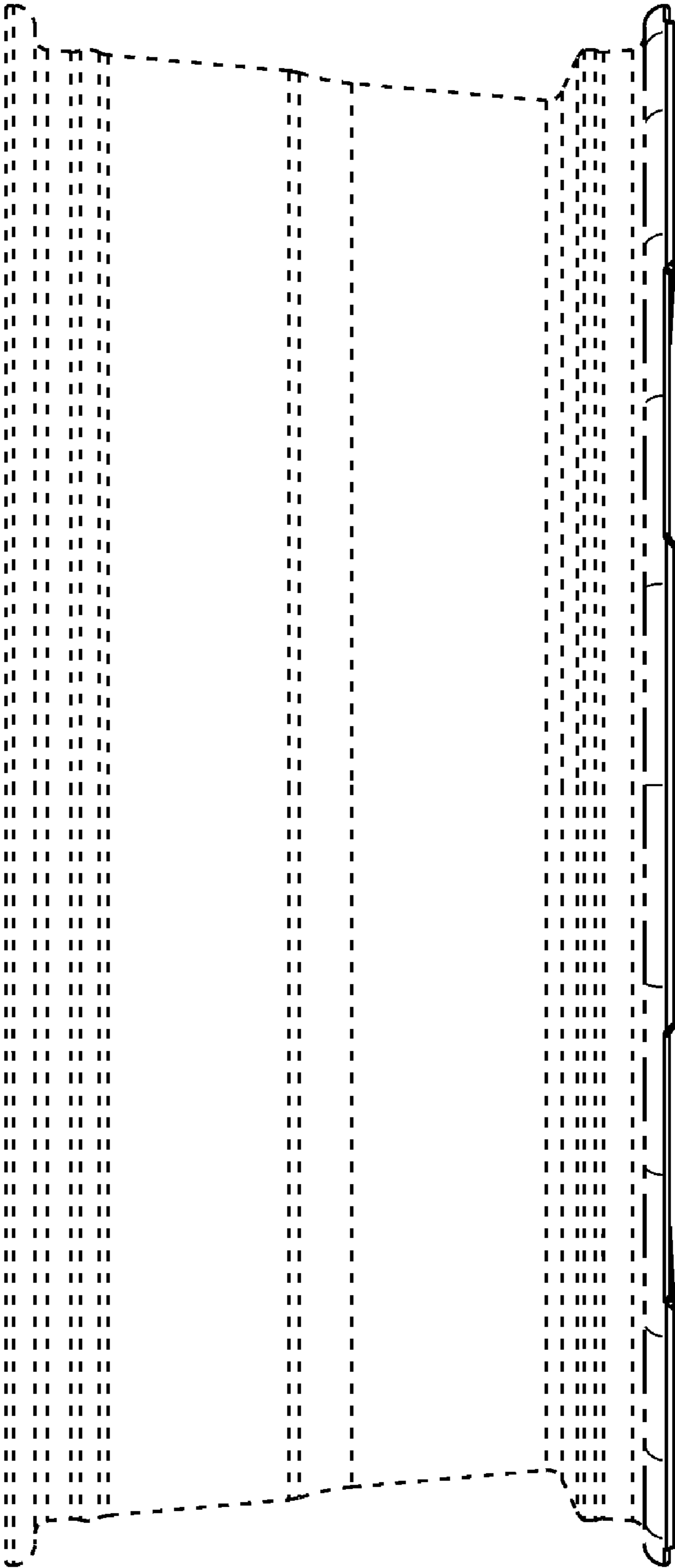


FIG. 21

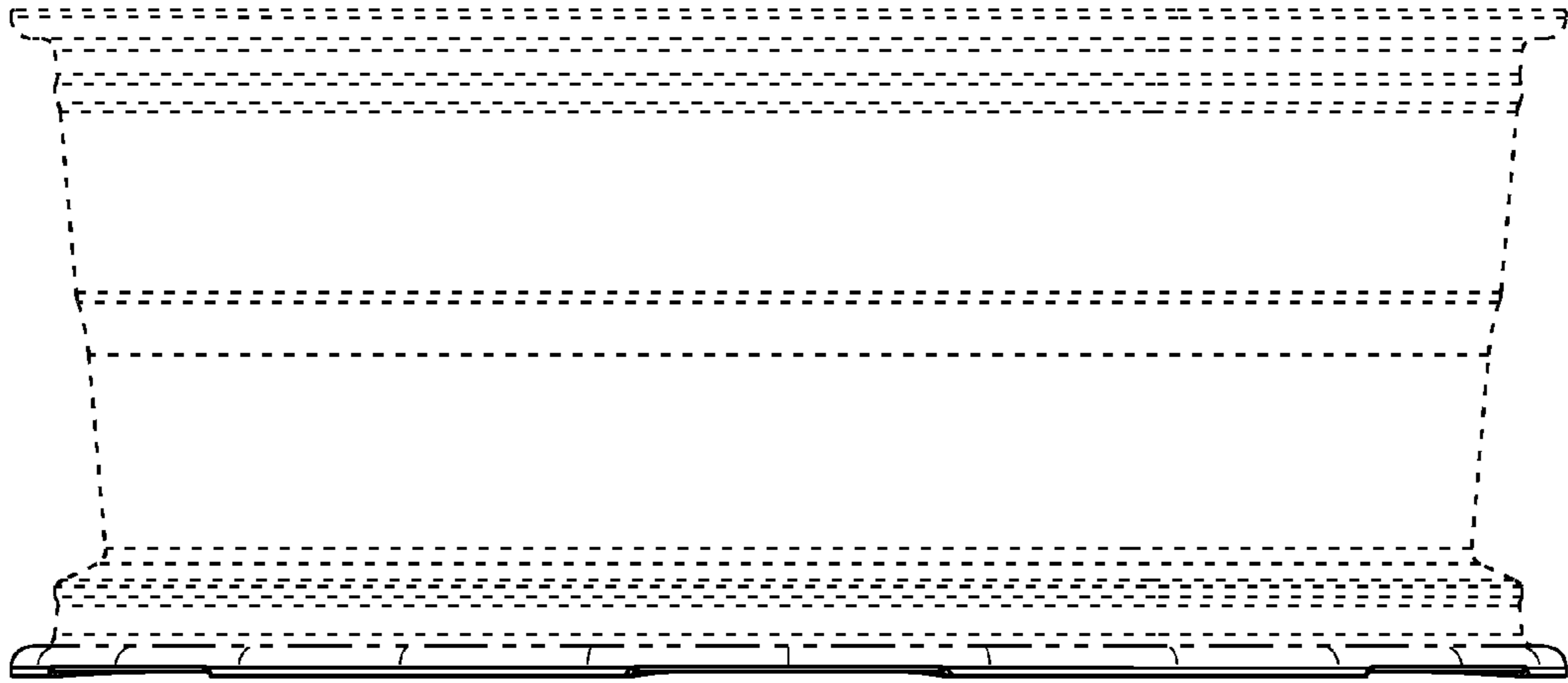


FIG. 22

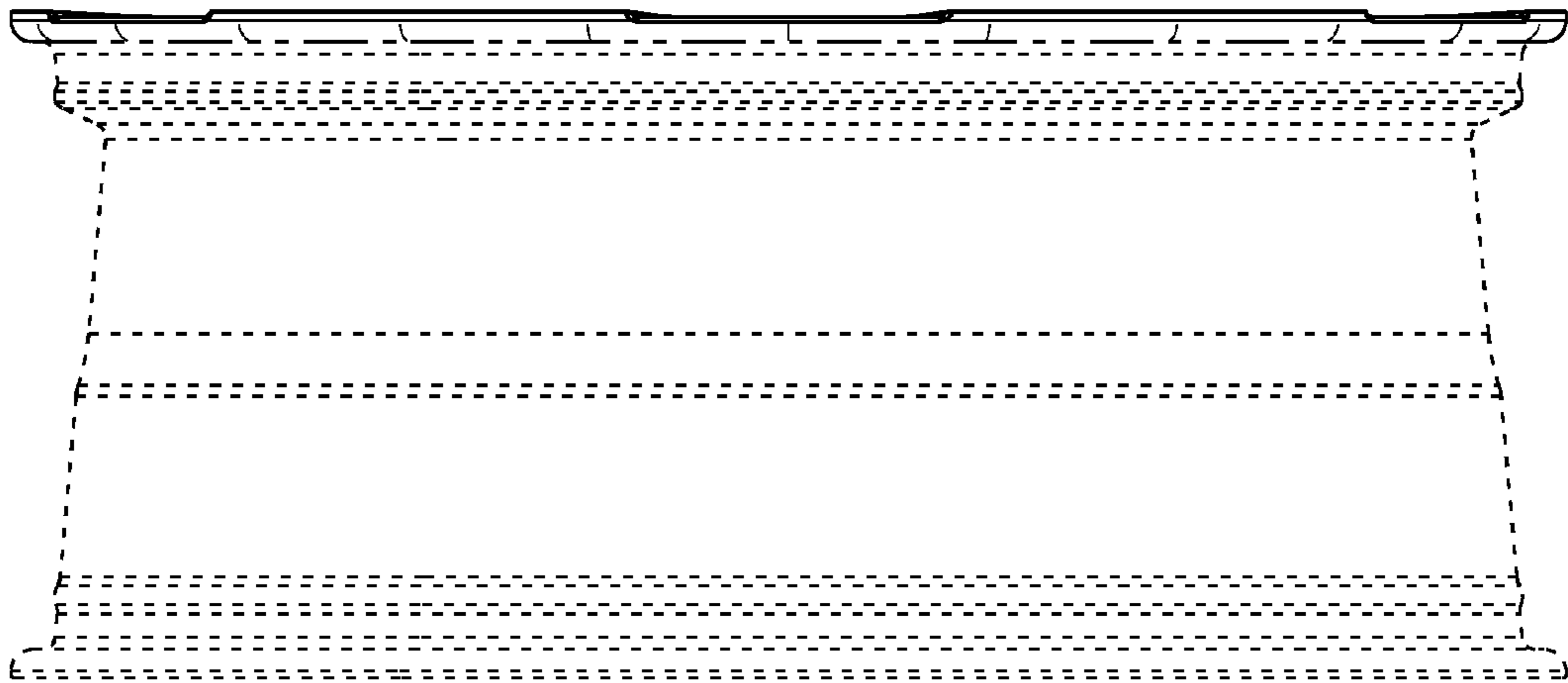


FIG. 23

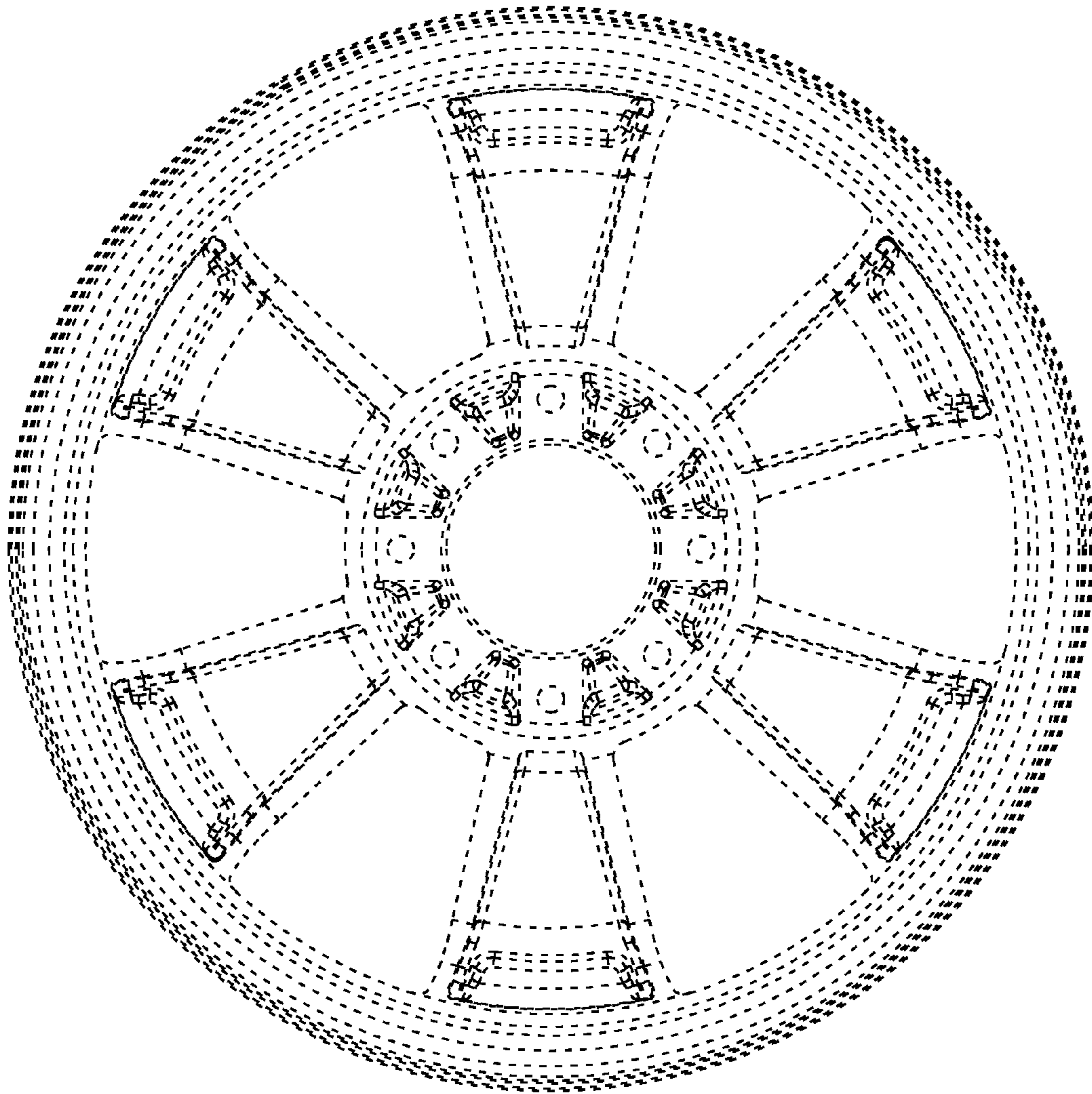


FIG. 24