



US00D640177S

(12) **United States Design Patent**  
**Ohm et al.**

(10) **Patent No.:** **US D640,177 S**  
(45) **Date of Patent:** **\*\* Jun. 21, 2011**

(54) **DIAMOND LICENSE PLATE FRAME**

(75) Inventors: **Patrick L. Ohm**, Mesa, AZ (US); **C. Kwai Kong**, Gilroy, CA (US); **Kenneth C. Booth**, Mesa, AZ (US)

(73) Assignee: **Bell Automotive Products, Inc.**, Scottsdale, AZ (US)

(\*\*) Term: **14 Years**

(21) Appl. No.: **29/387,358**

(22) Filed: **Mar. 11, 2011**

**Related U.S. Application Data**

(63) Continuation of application No. 29/385,241, filed on Feb. 10, 2011, now Pat. No. Des. 636,713.

(51) **LOC (9) Cl.** ..... **12-16**

(52) **U.S. Cl.** ..... **D12/193**

(58) **Field of Classification Search** ..... D12/193;  
D6/300-30, 310-315; 40/200-204, 207-214;  
362/497, 473, 327, 604; D20/13  
See application file for complete search history.

(56) **References Cited**

**U.S. PATENT DOCUMENTS**

D453,491 S \* 2/2002 Schmitz ..... D12/193  
D475,335 S \* 6/2003 Wang ..... D12/193  
D524,210 S \* 7/2006 Spencer ..... D12/193

D524,707 S \* 7/2006 Spencer ..... D12/193  
D524,708 S \* 7/2006 Spencer ..... D12/193  
D535,927 S \* 1/2007 Tofer et al. .... D12/193  
D537,395 S \* 2/2007 Magee ..... D12/193  
D538,722 S \* 3/2007 Tofer ..... D12/193  
D561,672 S \* 2/2008 Hu ..... D12/193  
D602,831 S \* 10/2009 Spencer et al. .... D12/193  
D602,832 S \* 10/2009 Tharp et al. .... D12/193  
D619,948 S \* 7/2010 Lee ..... D12/193

\* cited by examiner

*Primary Examiner* — Stacia Cadmus

(74) *Attorney, Agent, or Firm* — Booth Udall, PLC

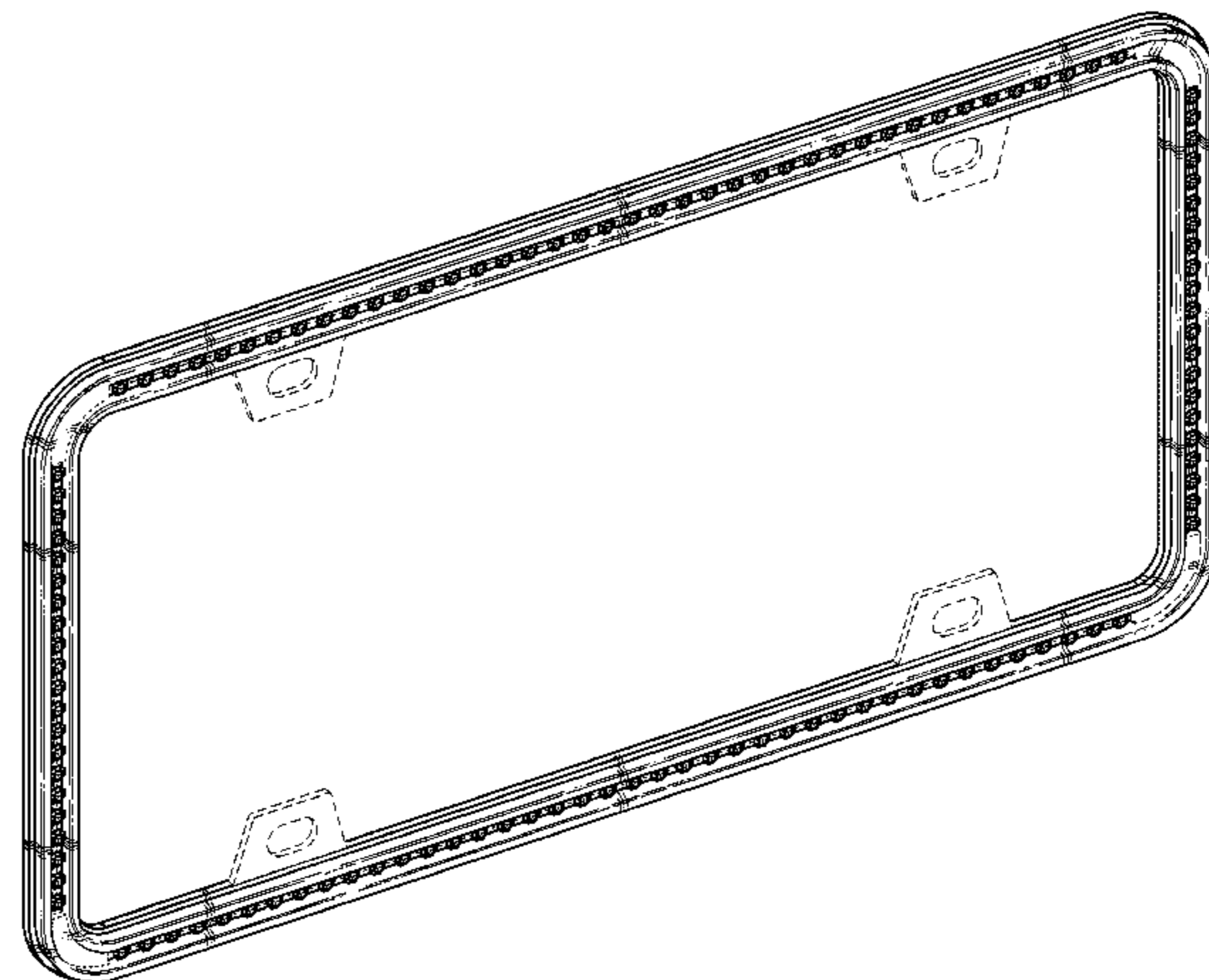
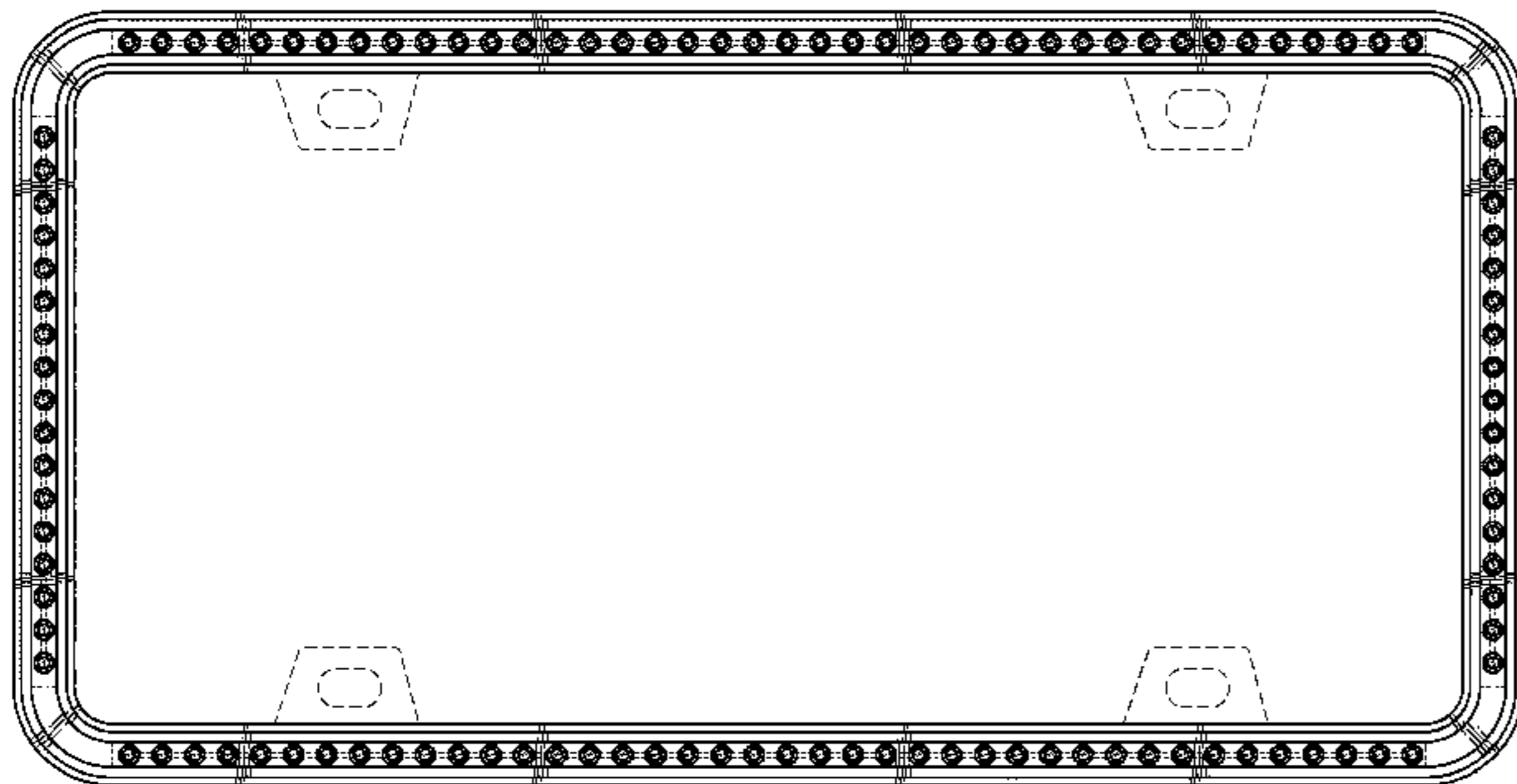
(57) **CLAIM**

The ornamental design for a diamond license plate frame, as shown and described.

**DESCRIPTION**

FIG. 1 is a front view for a diamond license plate frame; FIG. 2 is a top view thereof, the bottom view being identical to the top view; FIG. 3 is a left side view thereof, the right side view being identical to the left side view; and, FIG. 4 is a front perspective view thereof. The broken lines are included for the purpose of illustrating environmental features and form no part of the claimed design.

**1 Claim, 3 Drawing Sheets**



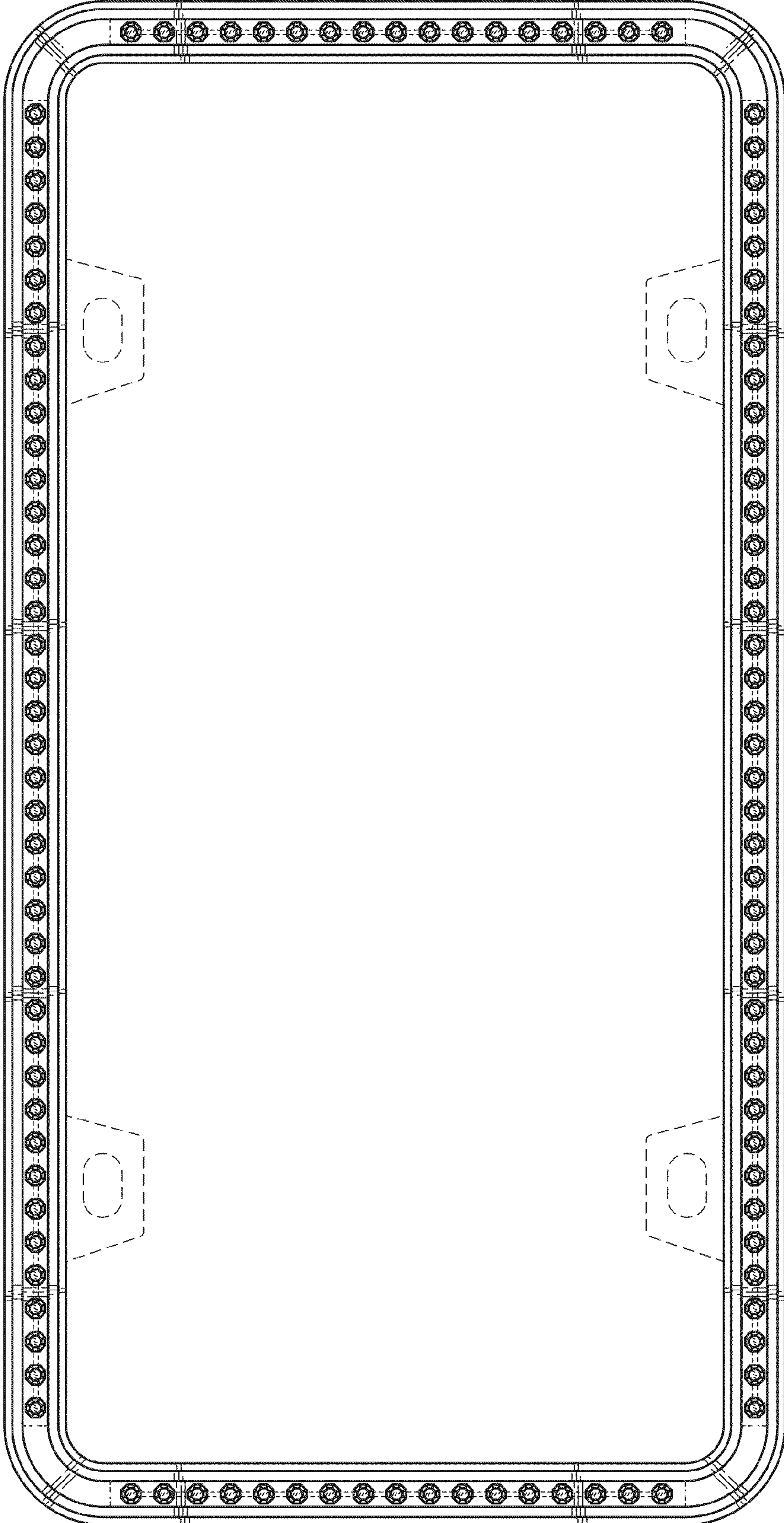


FIG. 1

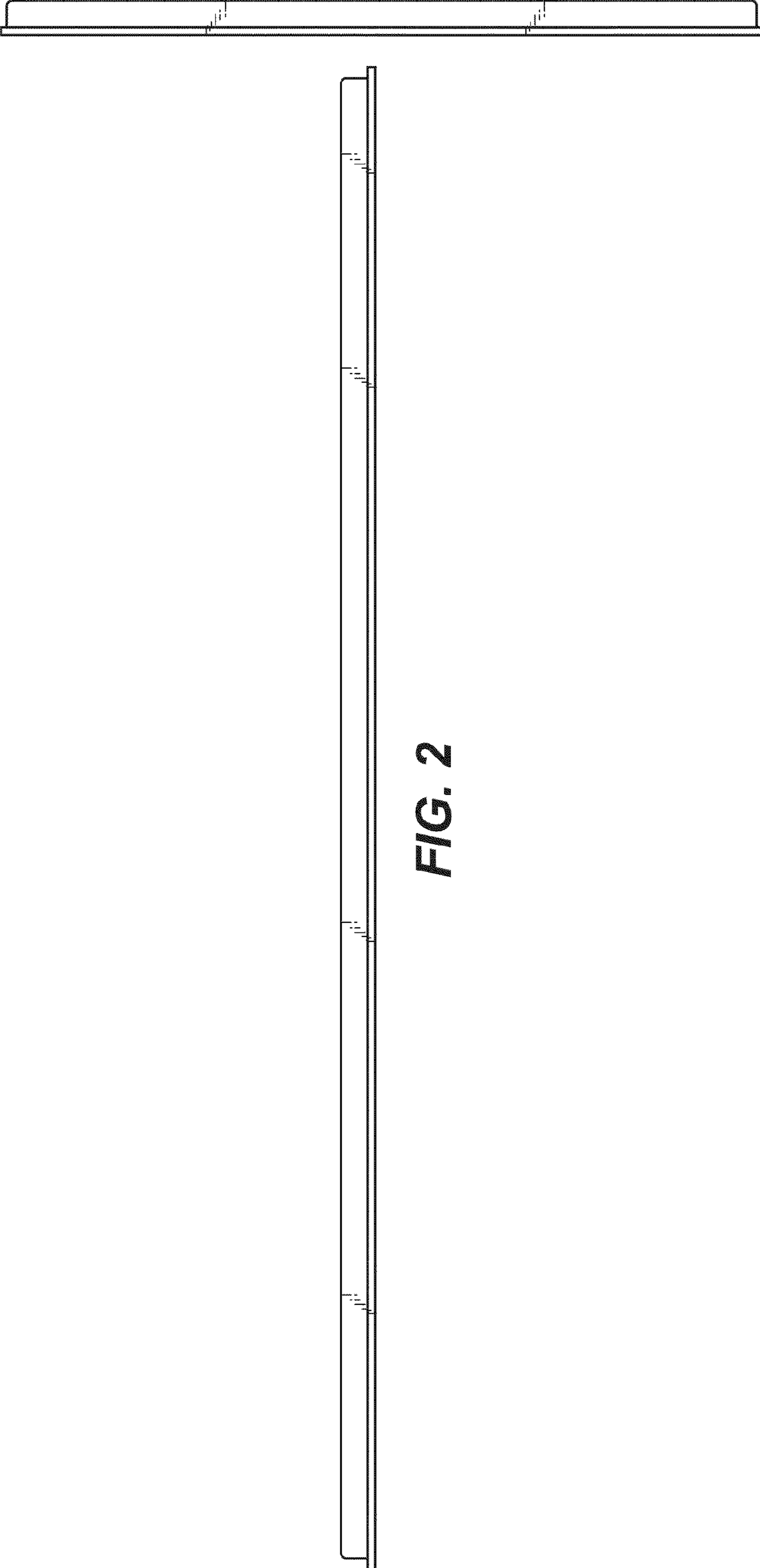


FIG. 2

FIG. 3



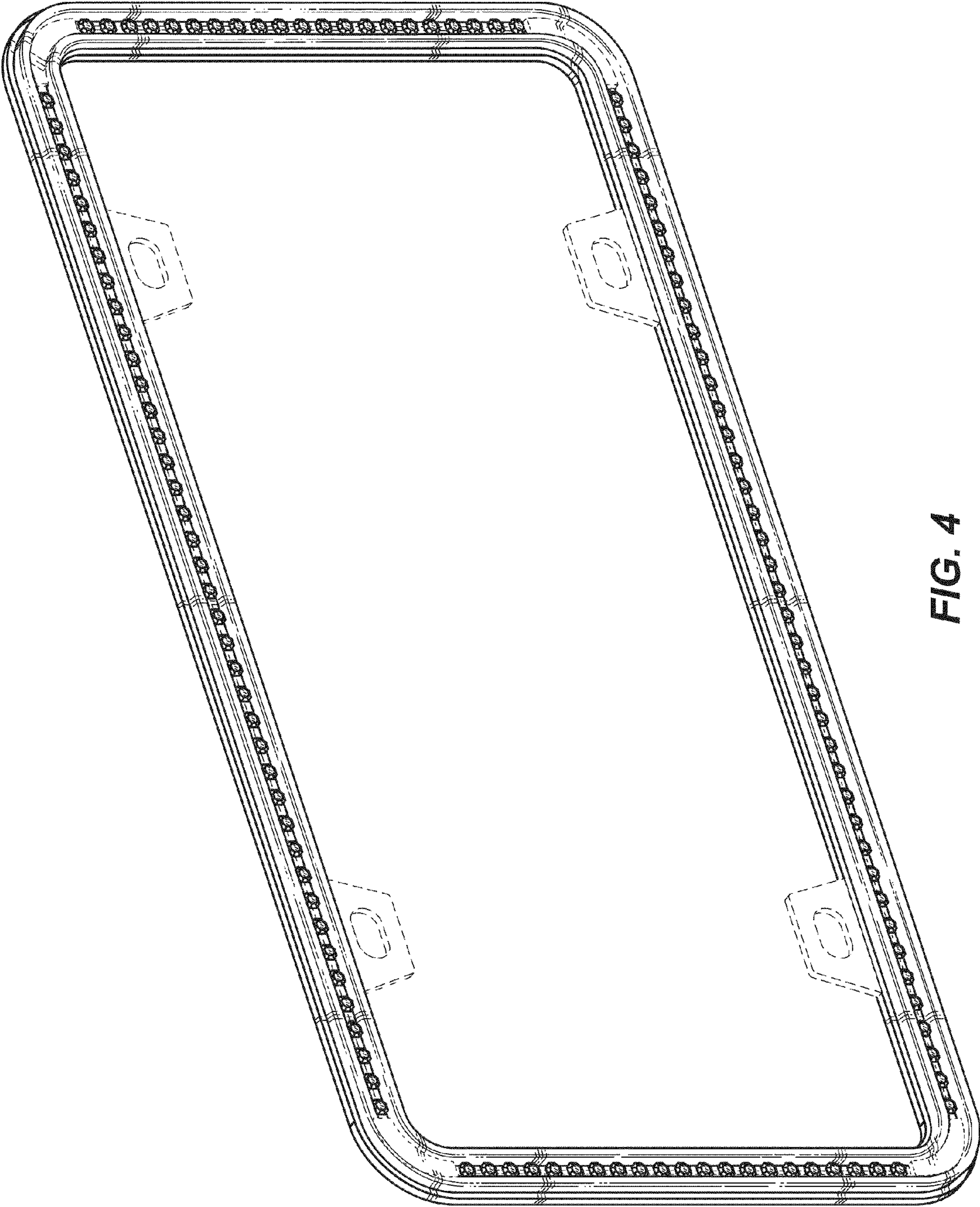


FIG. 4