



US00D640174S

(12) **United States Design Patent**
Lai

(10) **Patent No.:** **US D640,174 S**
(45) **Date of Patent:** **** Jun. 21, 2011**

(54) **STROLLER**

(76) Inventor: **Chin-I Lai**, Yongkang (TW)

(**) Term: **14 Years**

(21) Appl. No.: **29/375,674**

(22) Filed: **Sep. 27, 2010**

(51) **LOC (9) Cl.** **12-12**

(52) **U.S. Cl.** **D12/129**

(58) **Field of Classification Search** D12/128-133;
280/62, 647-650, 29, 200, 47.38, 250.1,
280/259, 642, 658; 297/DIG. 4; 296/65.03,
296/65.04; 224/209; 414/921; 135/65-67,
135/74; D6/360, 368

See application file for complete search history.

(56) **References Cited**

U.S. PATENT DOCUMENTS

6,273,451	B1 *	8/2001	Julien et al.	280/642
6,308,805	B1 *	10/2001	Lan	188/20
6,830,254	B2 *	12/2004	Lan	280/47.4
6,938,300	B2 *	9/2005	Lan	16/18 R
7,073,815	B2 *	7/2006	Espenshade et al.	280/642
D583,718	S *	12/2008	Zweideck	D12/129
D609,612	S *	2/2010	Chen et al.	D12/129

2003/0094791	A1 *	5/2003	Hartenstine et al.	280/642
2003/0201626	A1 *	10/2003	Hartenstine et al.	280/642
2004/0124611	A1 *	7/2004	Gong et al.	280/642

* cited by examiner

Primary Examiner — Ian Simmons

Assistant Examiner — Charles Hanson

(74) *Attorney, Agent, or Firm* — Muncy, Geissler, Olds & Lowe, PLLC

(57) **CLAIM**

The ornamental design for the “stroller,” as shown and described.

DESCRIPTION

FIG. 1 is a perspective view of the “stroller” showing my new design thereof;

FIG. 2 is a front side elevational view thereof;

FIG. 3 is a rear side elevational view thereof;

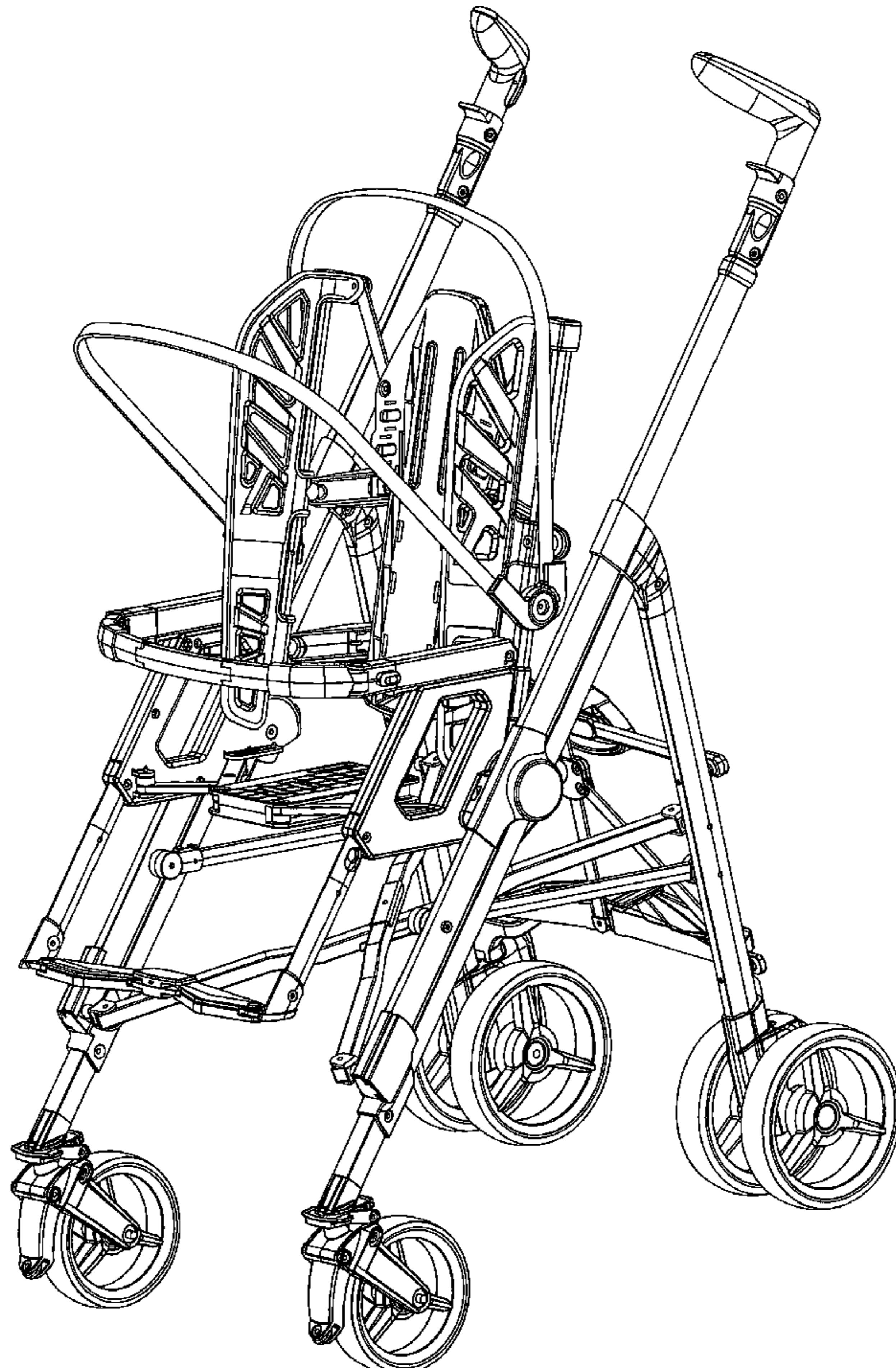
FIG. 4 is a left side elevational view thereof;

FIG. 5 is a right side elevational view thereof;

FIG. 6 is a top plan view thereof; and,

FIG. 7 is a bottom plan view thereof.

1 Claim, 7 Drawing Sheets



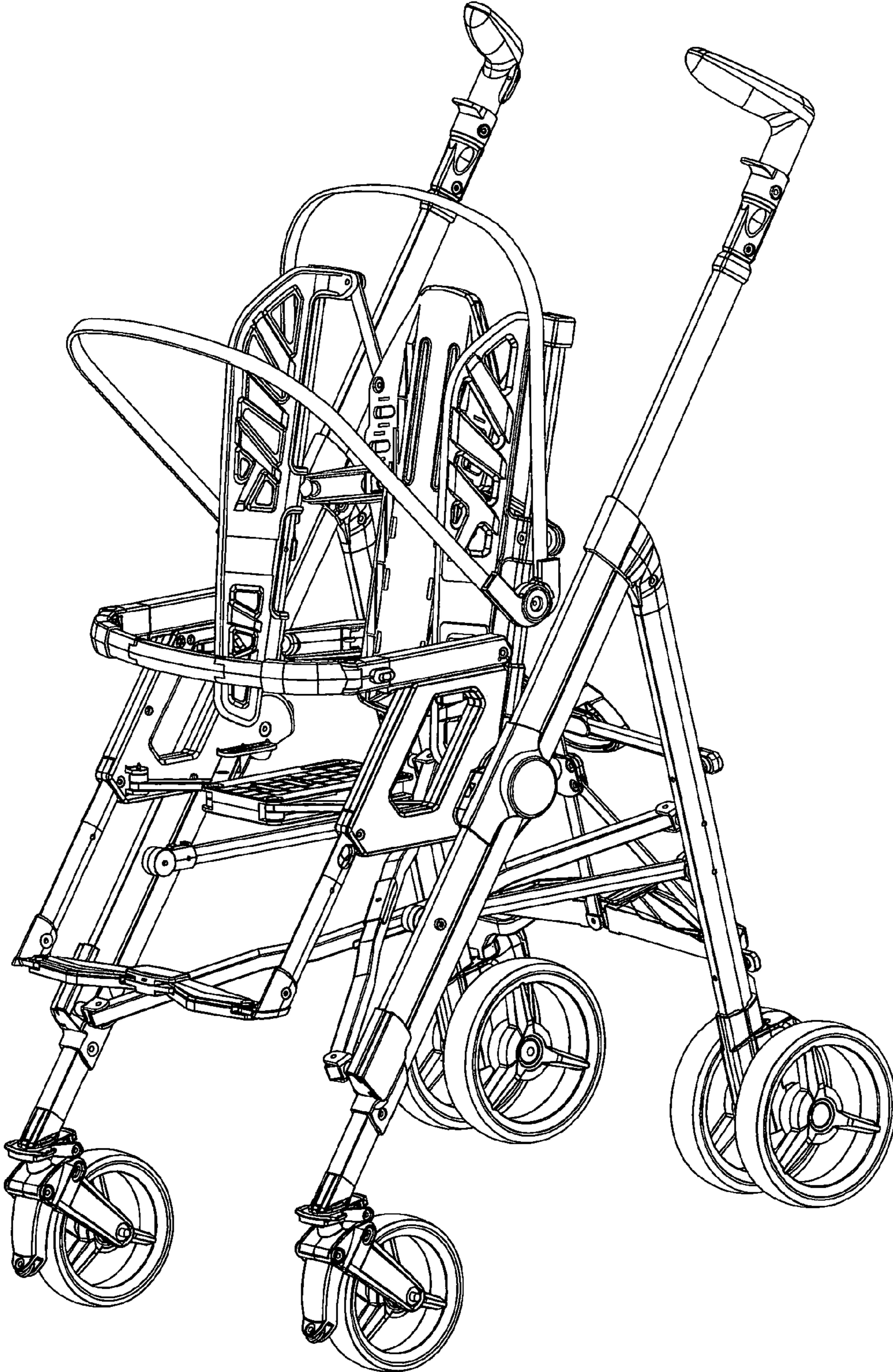


Fig. 1

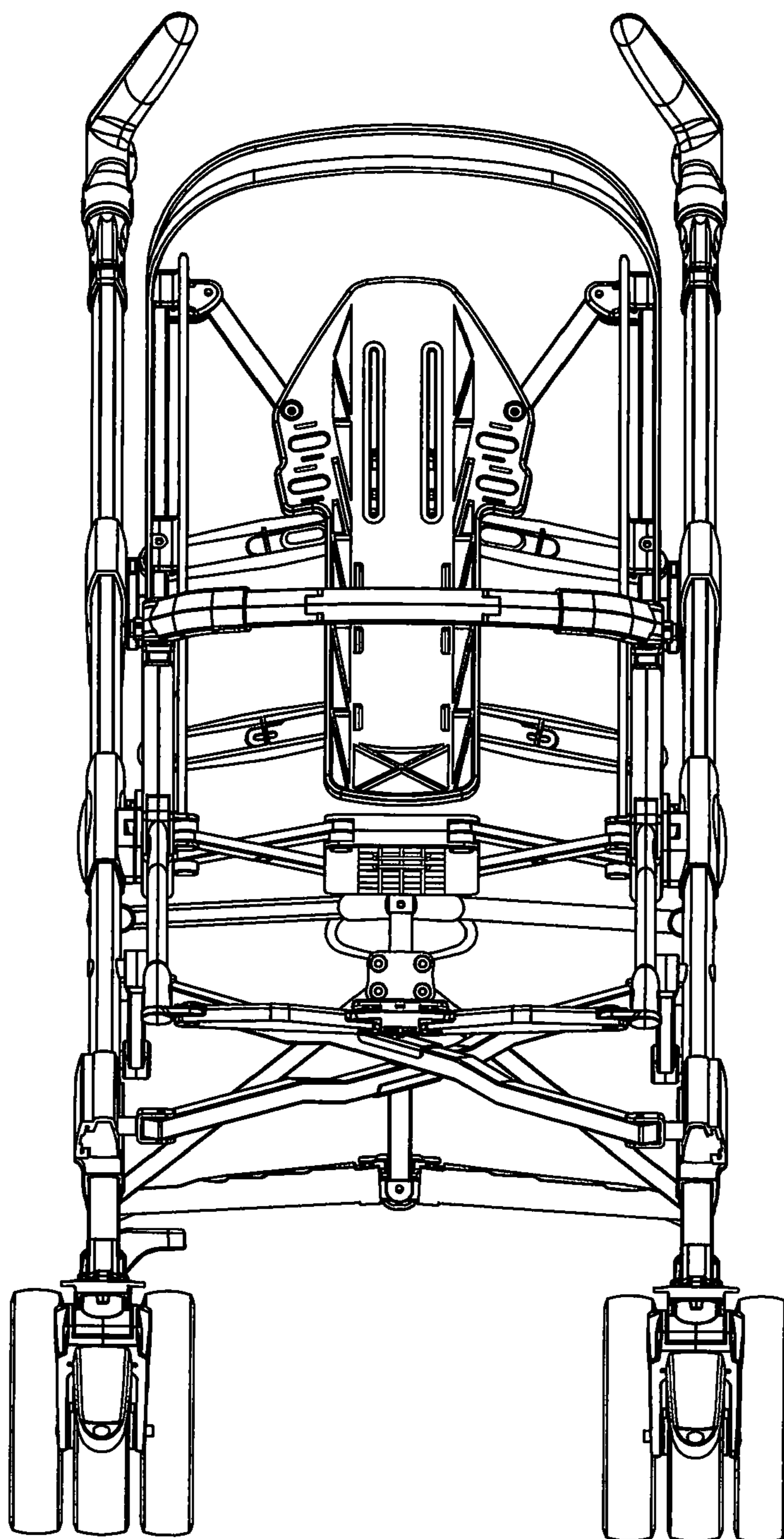


Fig. 2

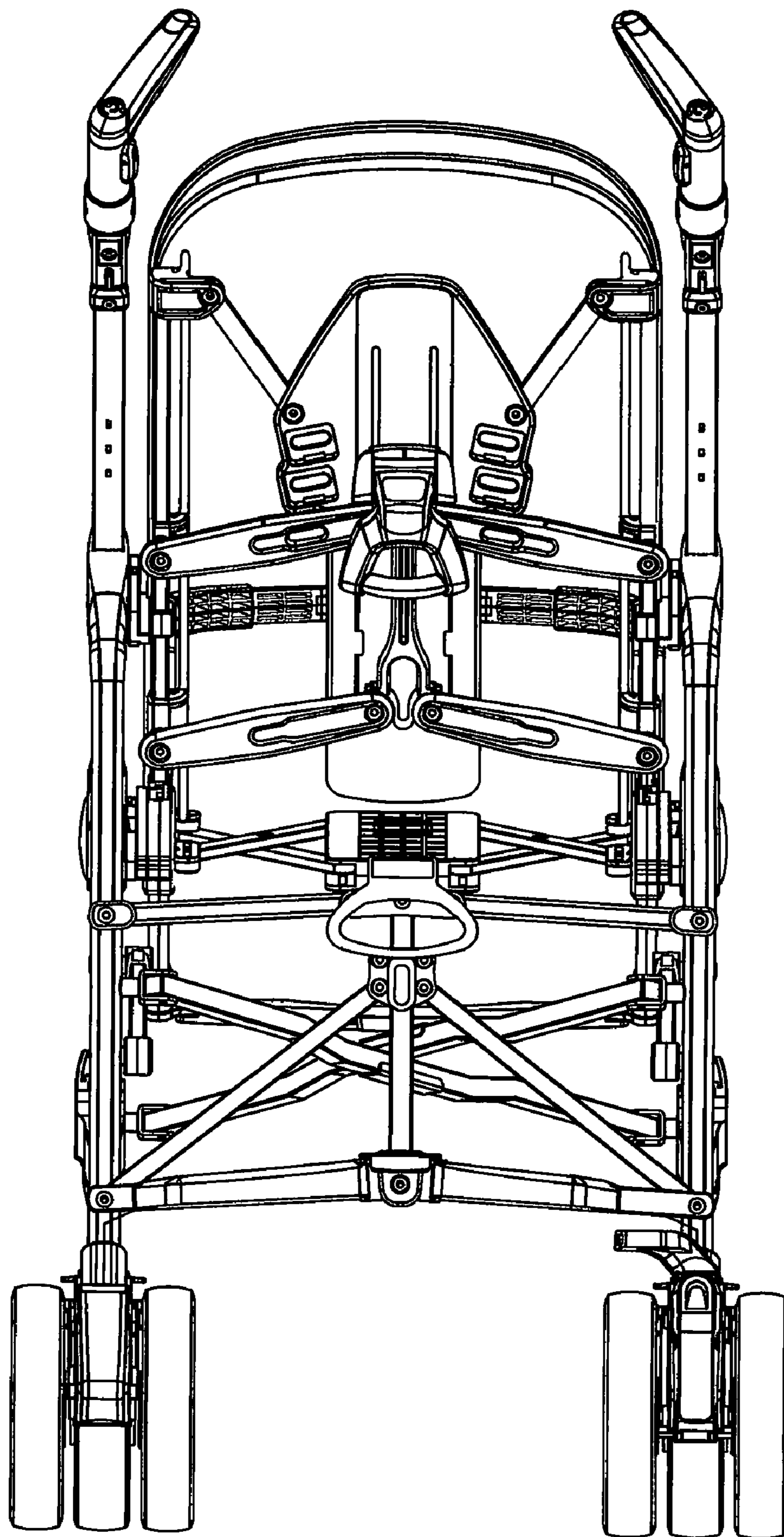


Fig. 3

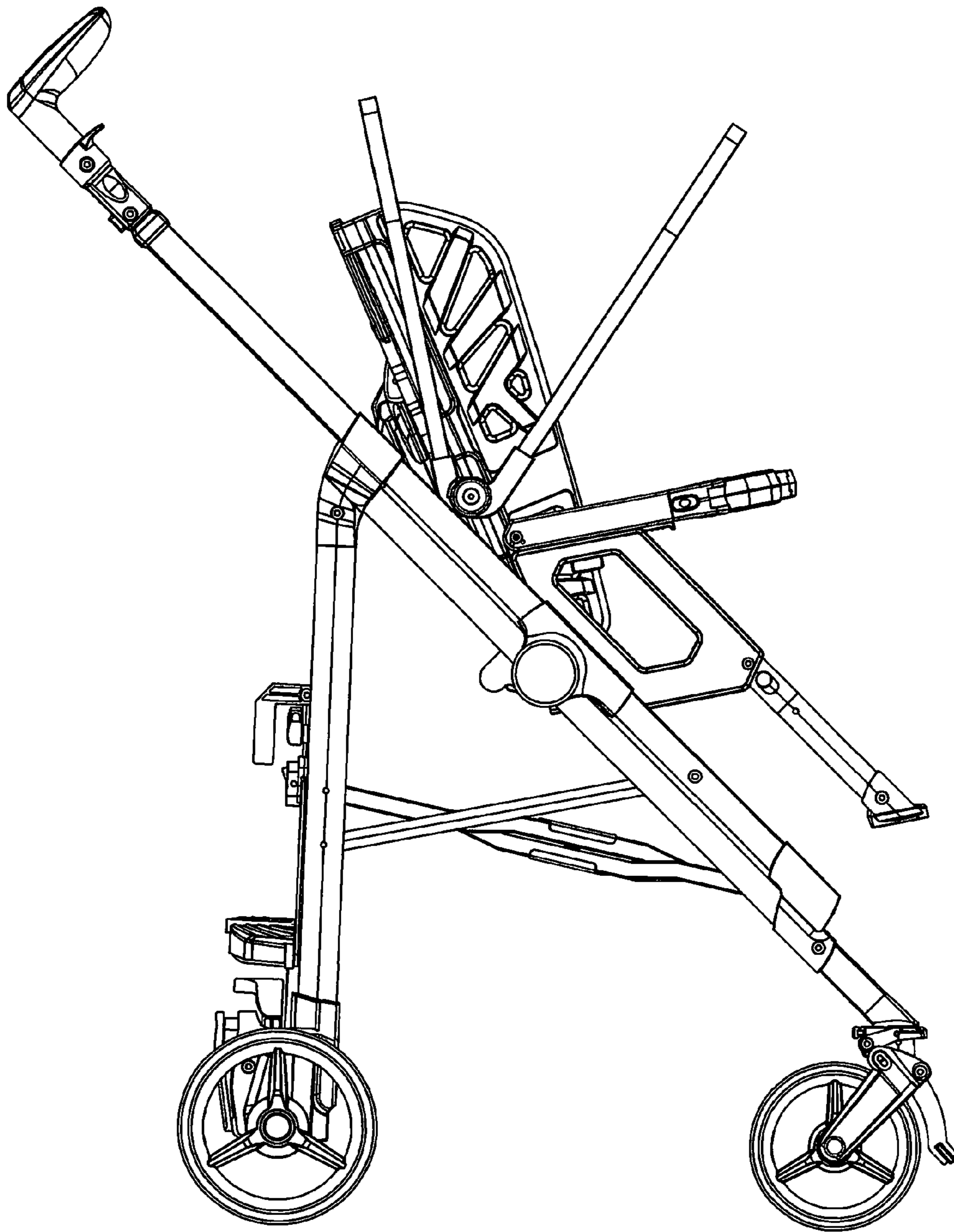


Fig. 4

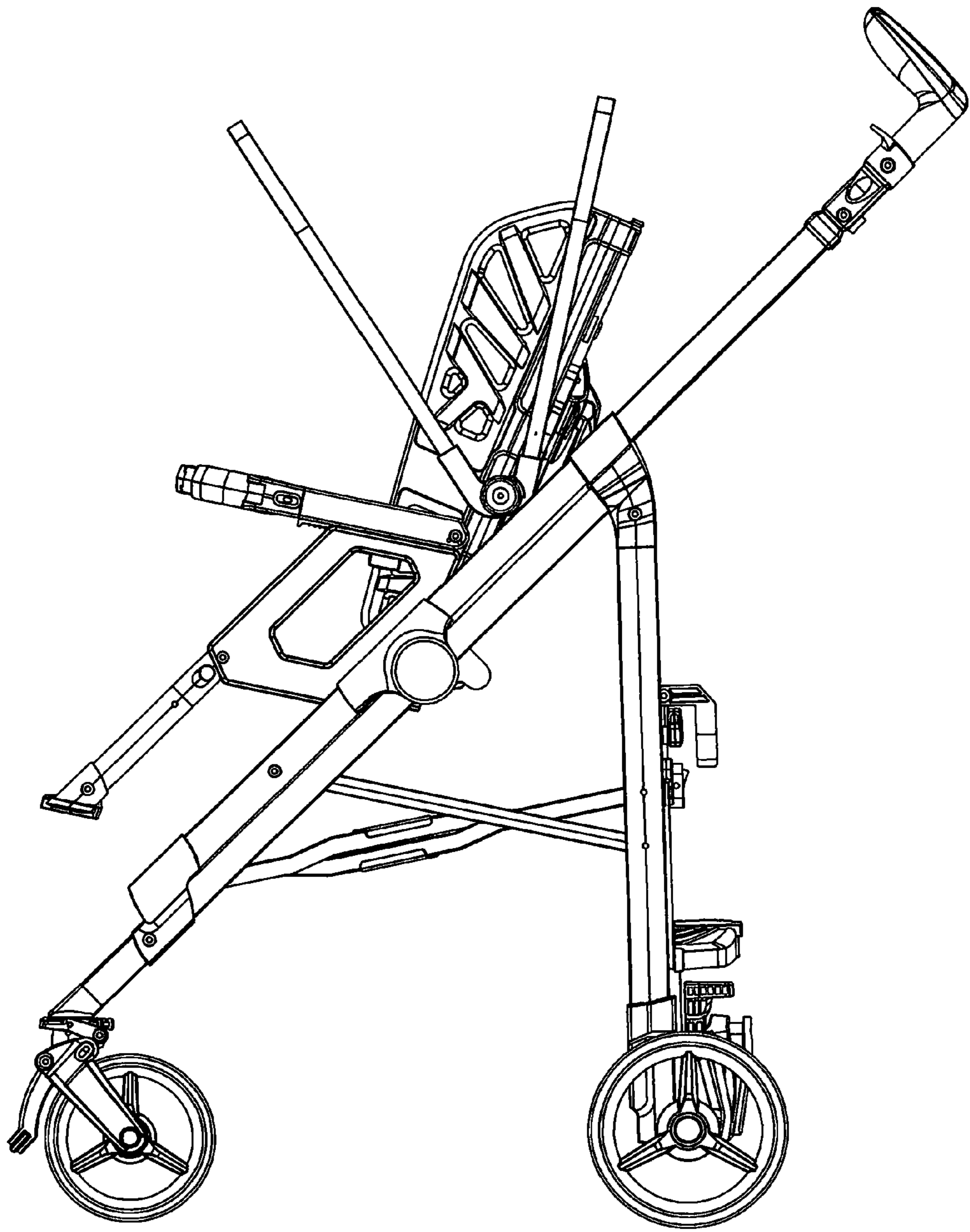


Fig. 5

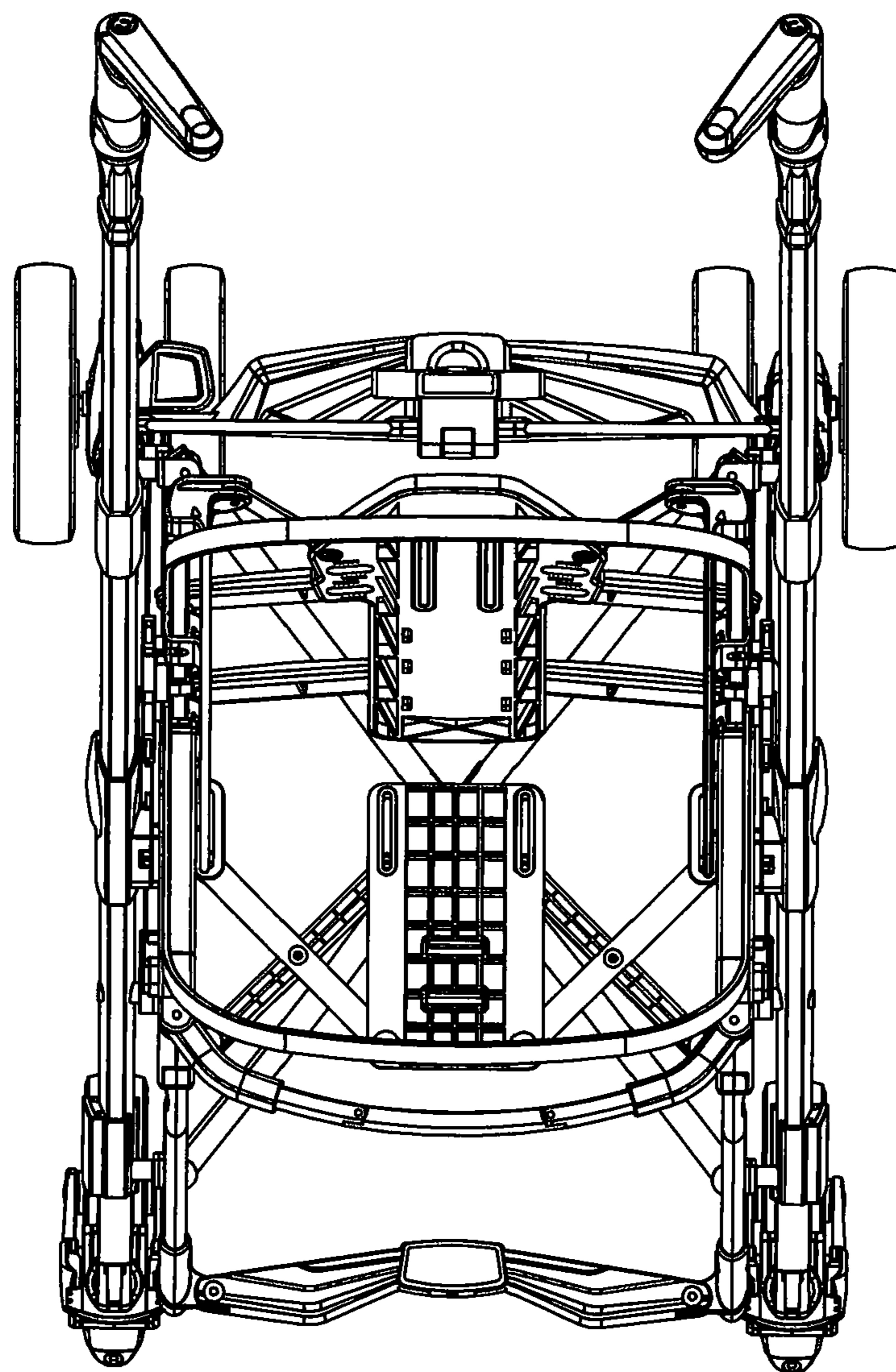


Fig. 6

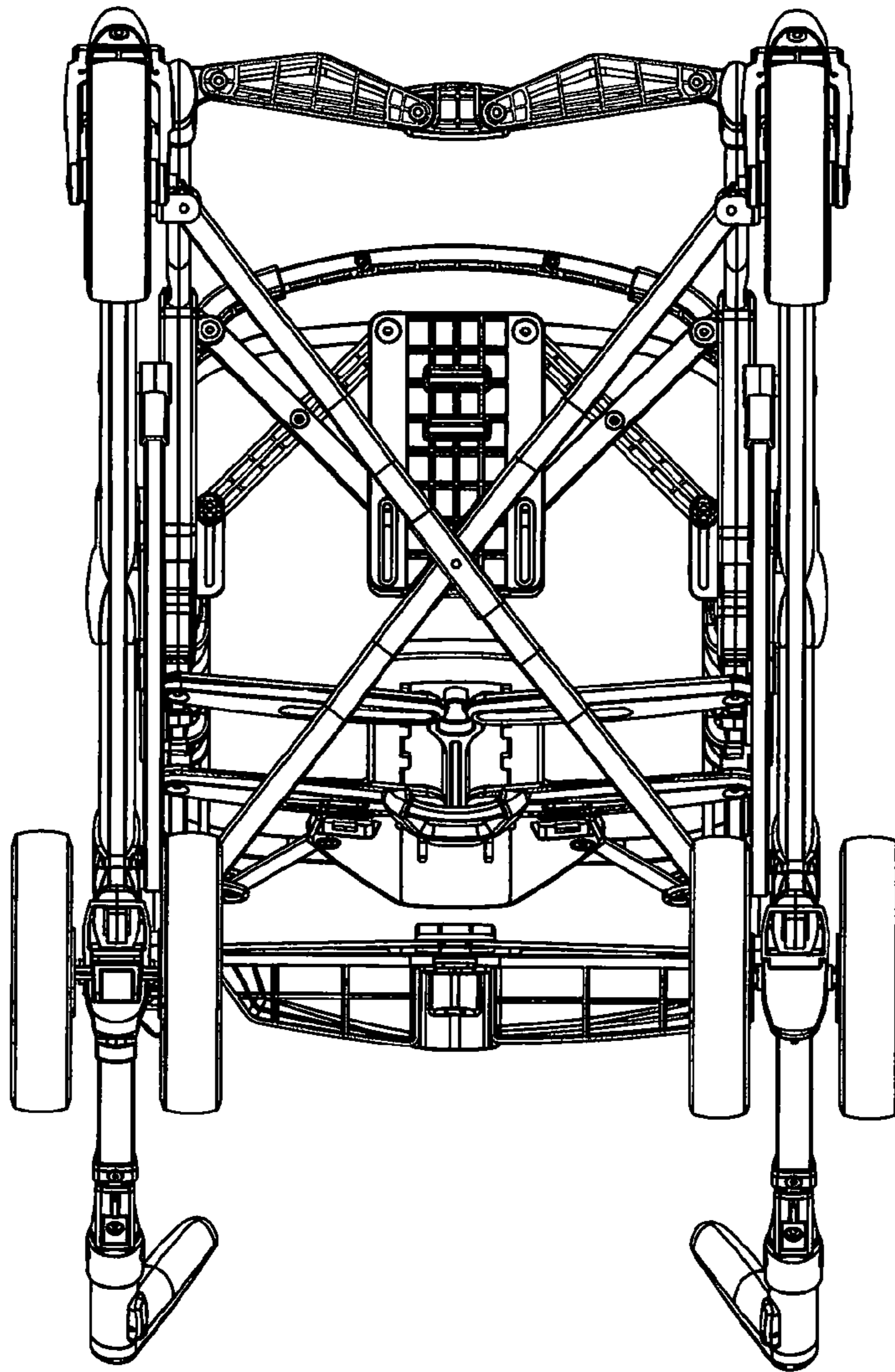


Fig. 7