



US00D640173S

(12) **United States Design Patent**  
**Oyanagi et al.**

(10) **Patent No.:** **US D640,173 S**  
(45) **Date of Patent:** **\*\* Jun. 21, 2011**

(54) **MOTORCYCLE**

(75) Inventors: **Juichi Oyanagi**, Kobe (JP); **Naoki Hashimoto**, Kakogawa (JP)

(73) Assignee: **Kawasaki Jukogyo Kabushiki Kaisha**, Hyogo (JP)

(\*\*) Term: **14 Years**

(21) Appl. No.: **29/357,906**

(22) Filed: **Mar. 18, 2010**

(30) **Foreign Application Priority Data**

Oct. 2, 2009 (JP) ..... 2009-022949

(51) **LOC (9) Cl.** ..... **12-11**

(52) **U.S. Cl.** ..... **D12/110**

(58) **Field of Classification Search** ..... D12/110;  
180/219, 220, 225, 229

See application file for complete search history.

(56) **References Cited**

**U.S. PATENT DOCUMENTS**

D524,191 S \* 7/2006 Sugimoto ..... D12/110  
D526,249 S \* 8/2006 Tanaka et al. .... D12/110  
D590,302 S \* 4/2009 Tanaka et al. .... D12/110

D594,784 S \* 6/2009 Ichihara et al. .... D12/110  
D598,330 S \* 8/2009 Miyanishi et al. .... D12/110  
D609,609 S \* 2/2010 Hayashi et al. .... D12/110  
D621,301 S \* 8/2010 Hayashi et al. .... D12/110

**FOREIGN PATENT DOCUMENTS**

JP D1342815 10/2008

\* cited by examiner

*Primary Examiner* — Phillip S Hyder

*Assistant Examiner* — Linda G Brooks

(57) **CLAIM**

The ornamental design for a motorcycle, as shown and described.

**DESCRIPTION**

FIG. 1 is a front elevational view of a motorcycle showing our new design;

FIG. 2 is a rear elevational view thereof;

FIG. 3 is a left side elevational view thereof;

FIG. 4 is a right side elevational view thereof;

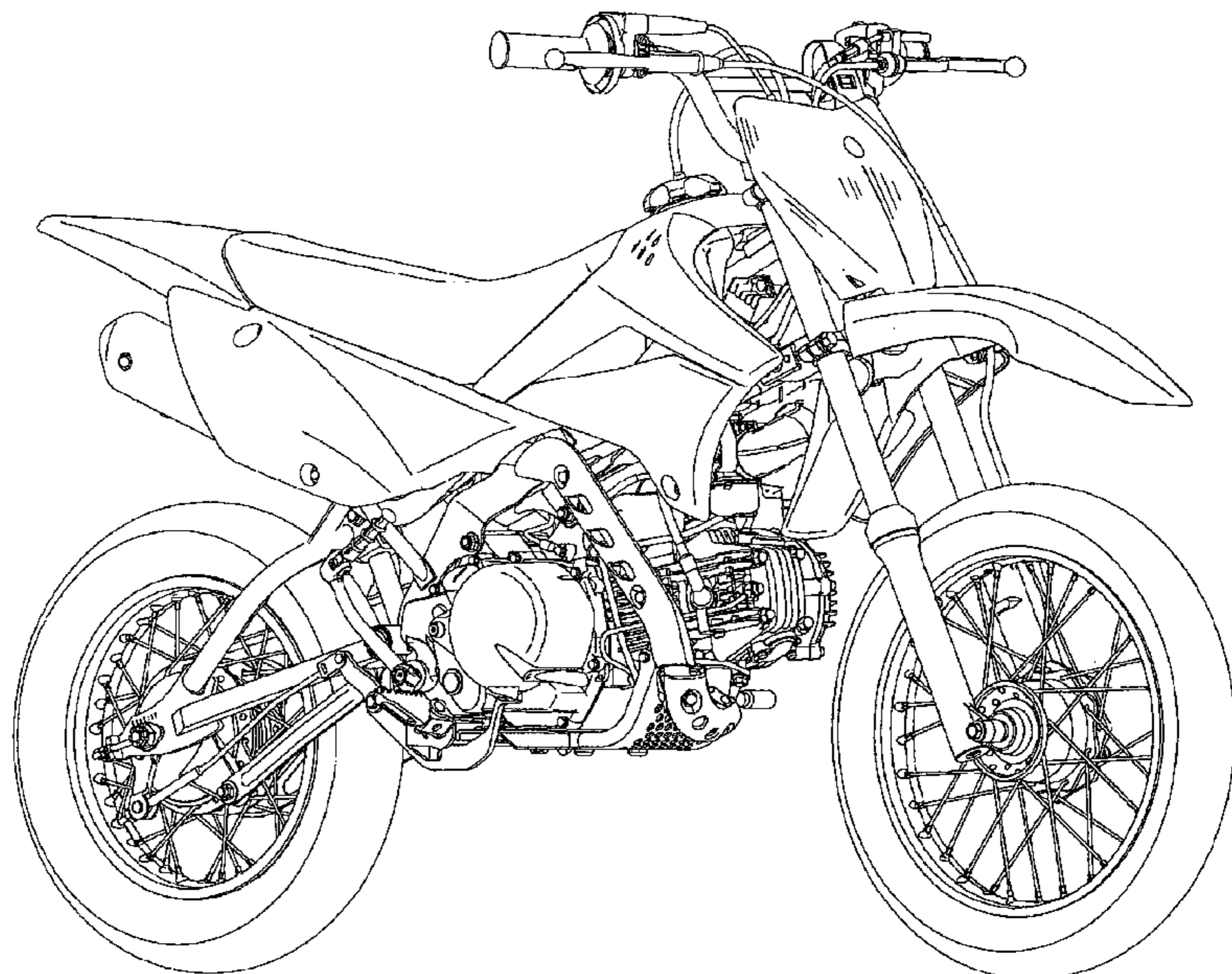
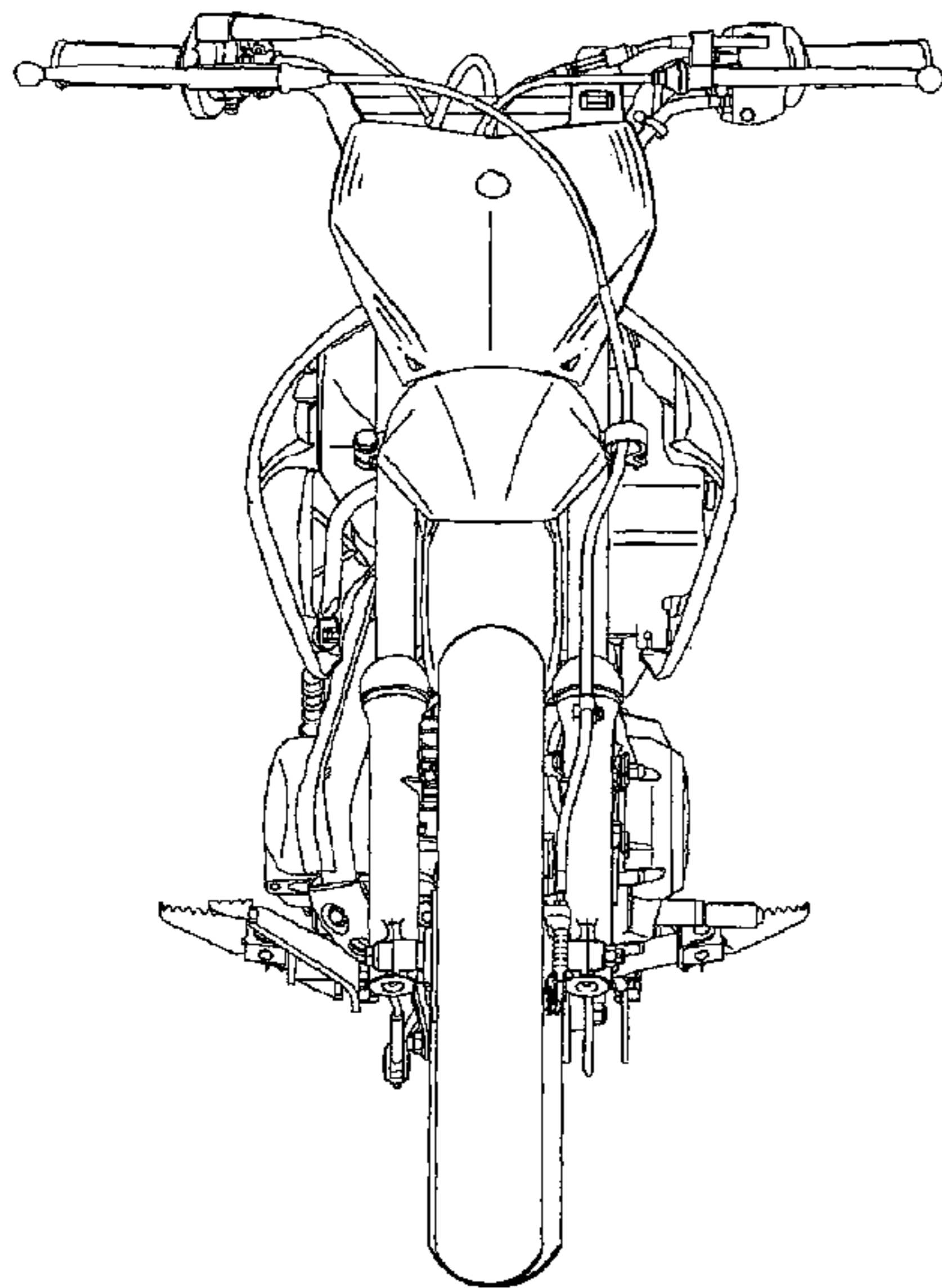
FIG. 5 is a top plan view thereof;

FIG. 6 is a bottom plan view thereof;

FIG. 7 is a front left perspective view thereof; and,

FIG. 8 is a rear right perspective view thereof.

**1 Claim, 8 Drawing Sheets**



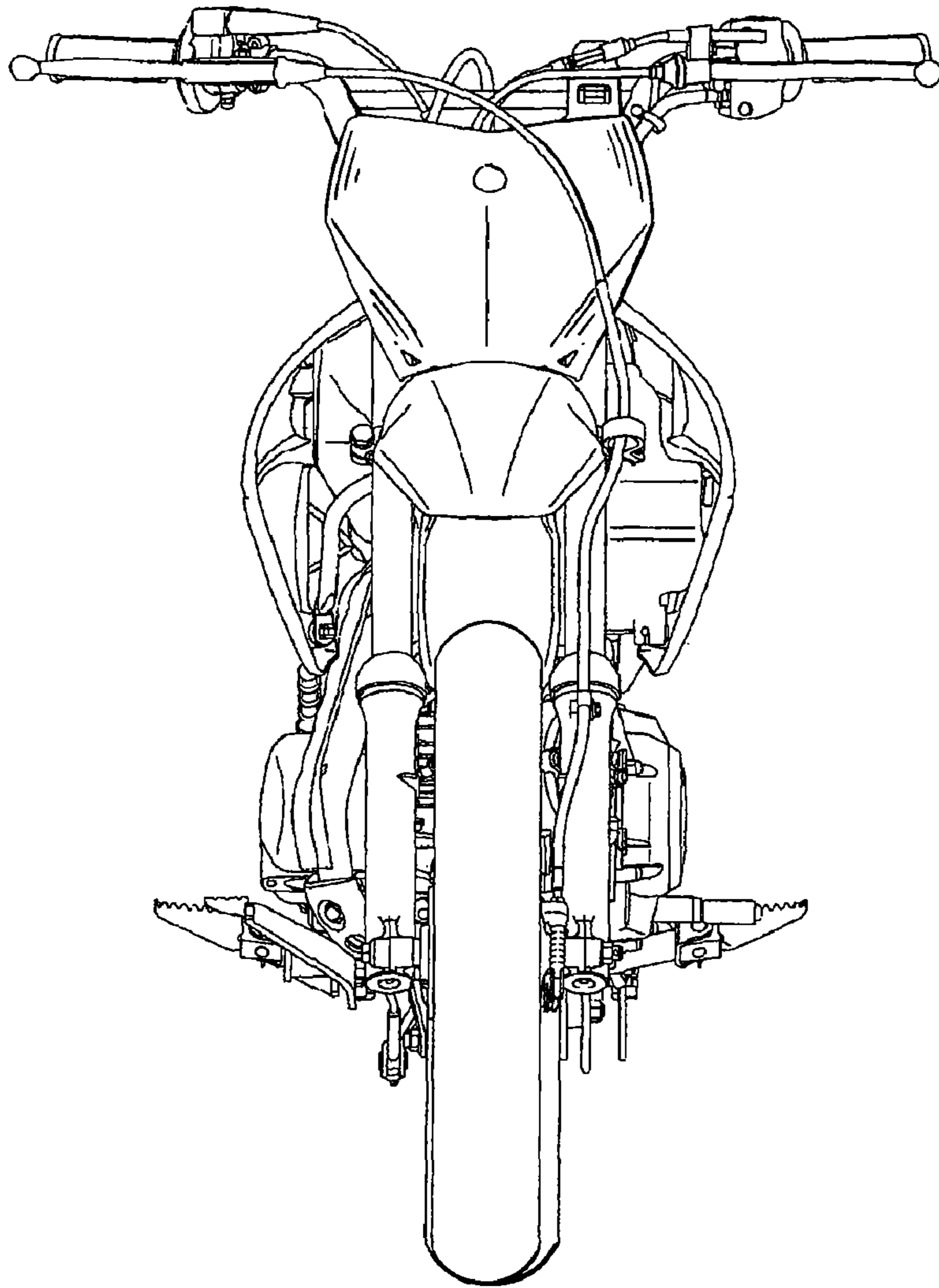


FIG. 1

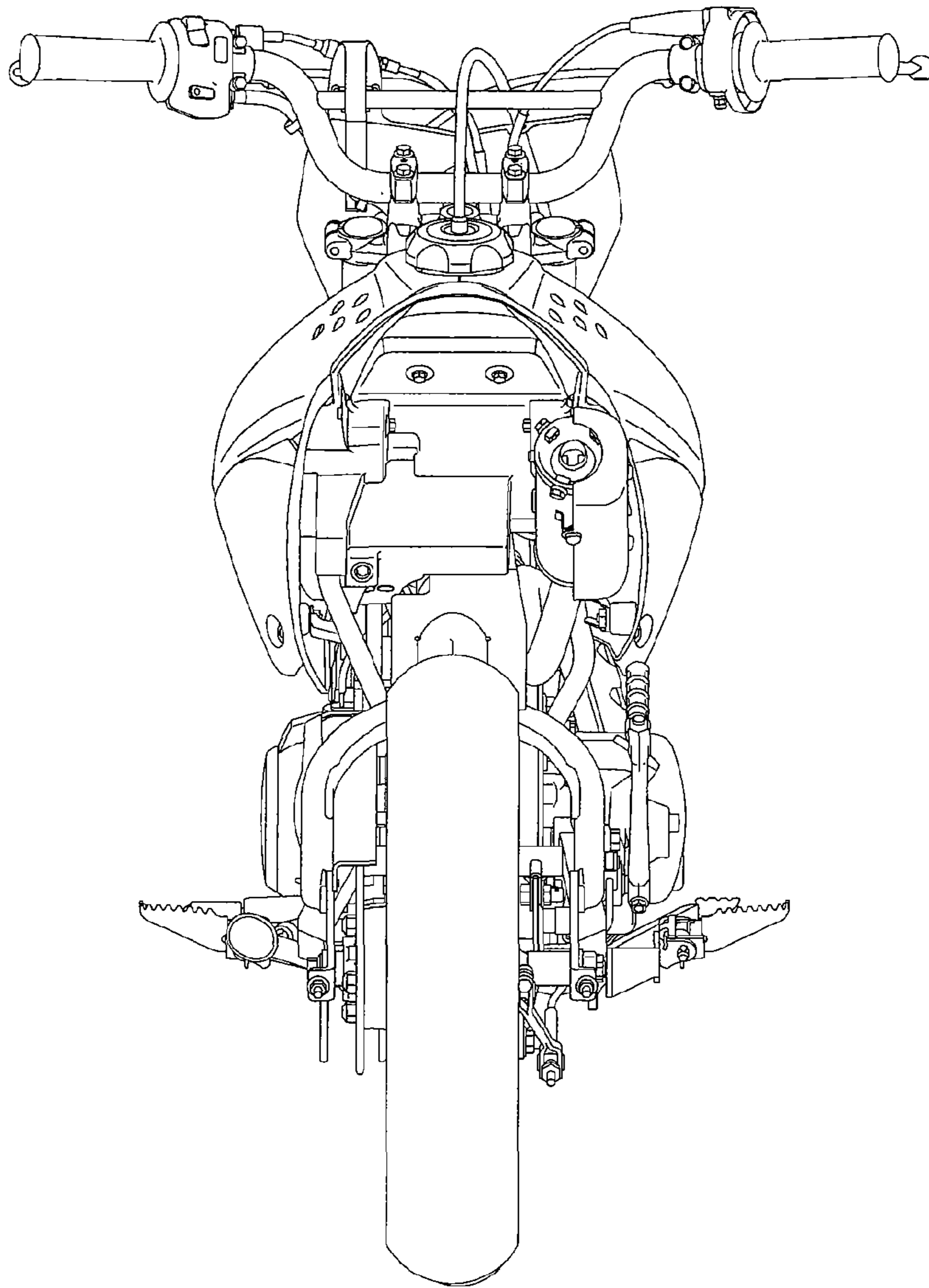


FIG. 2

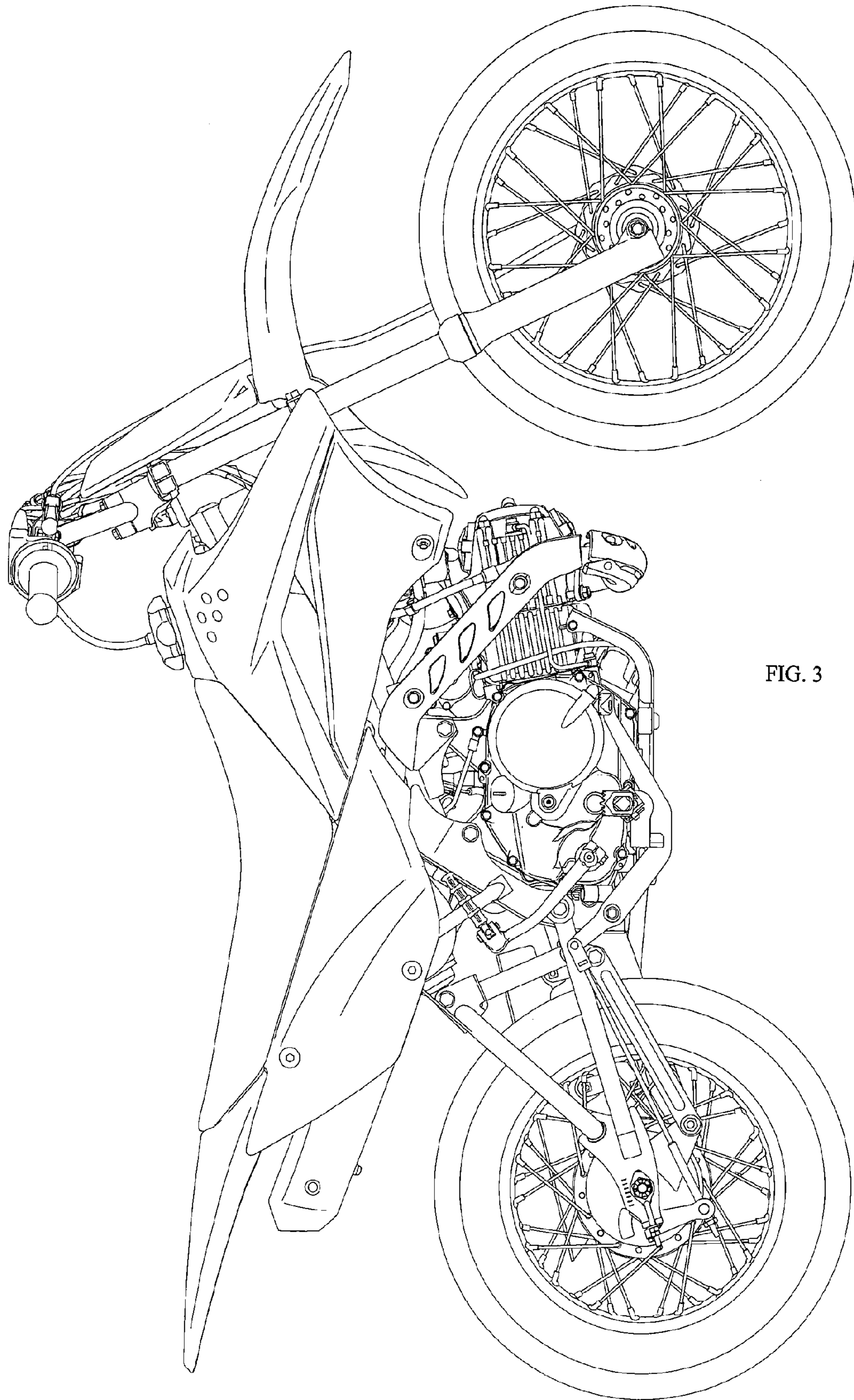


FIG. 3

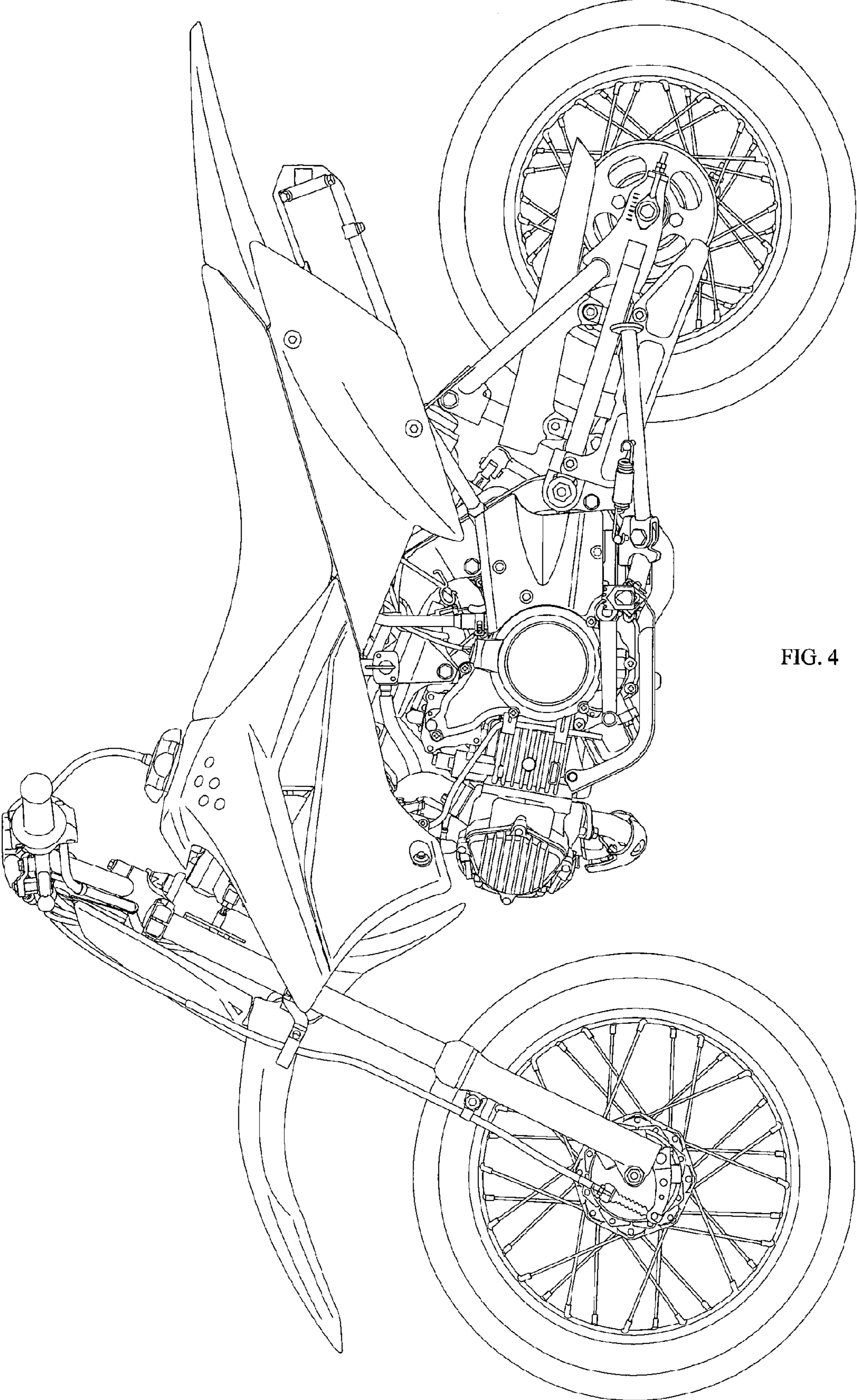


FIG. 4

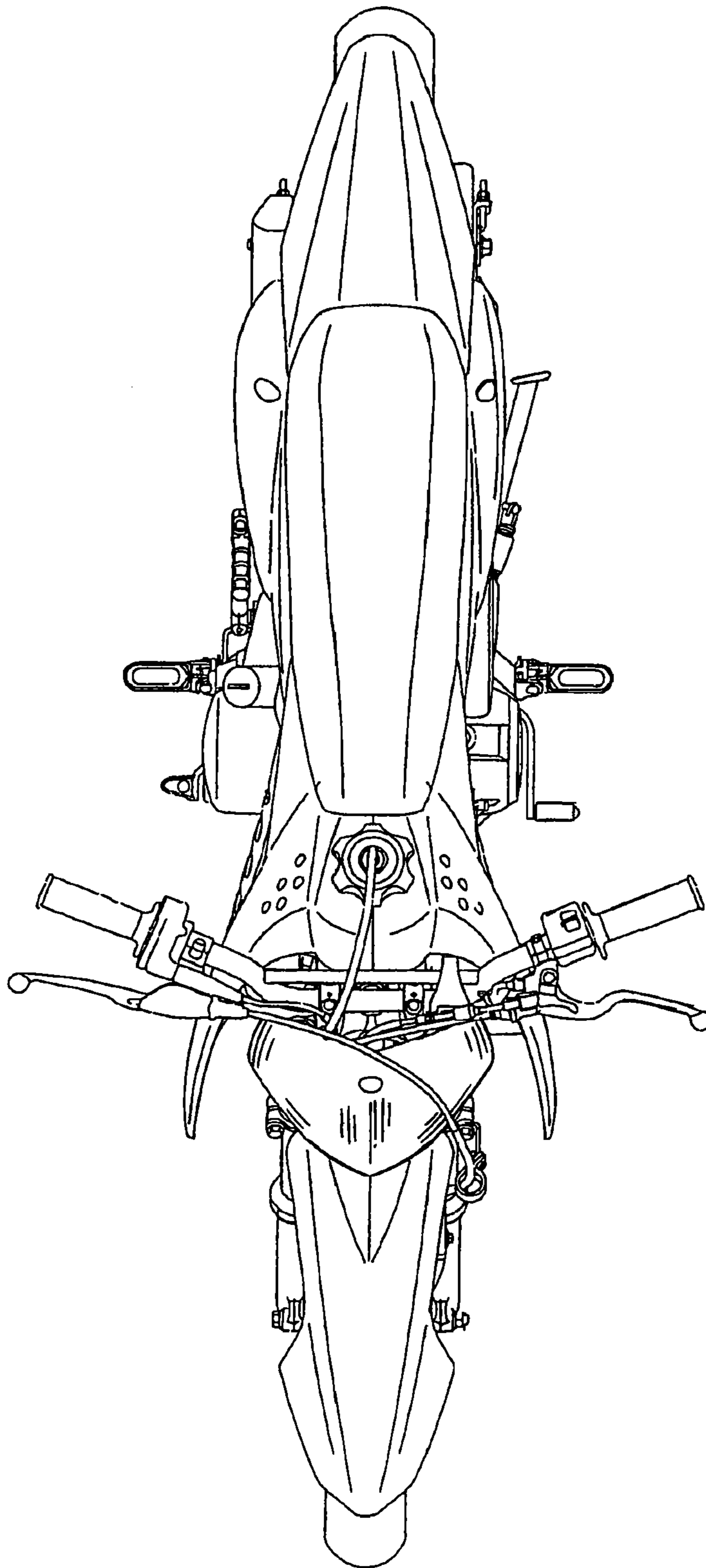


FIG. 5

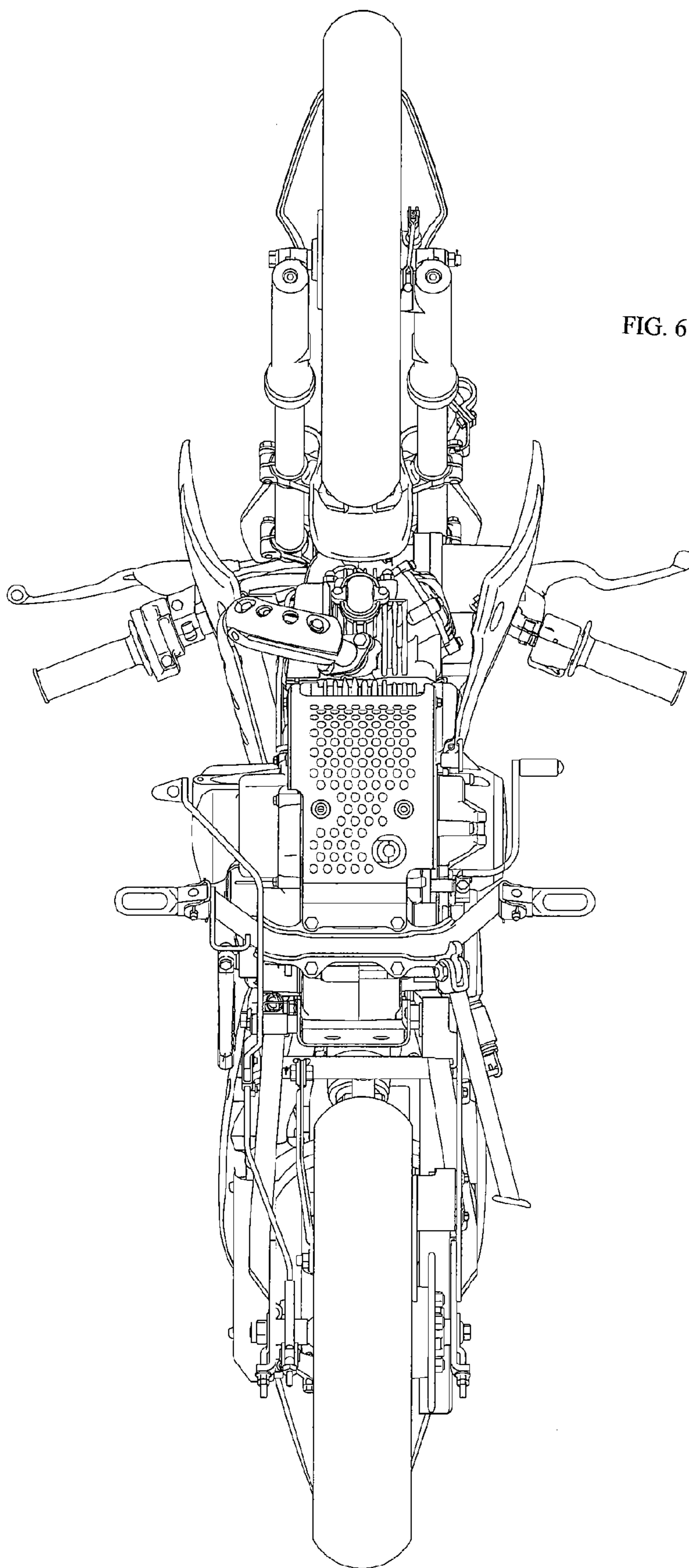


FIG. 6

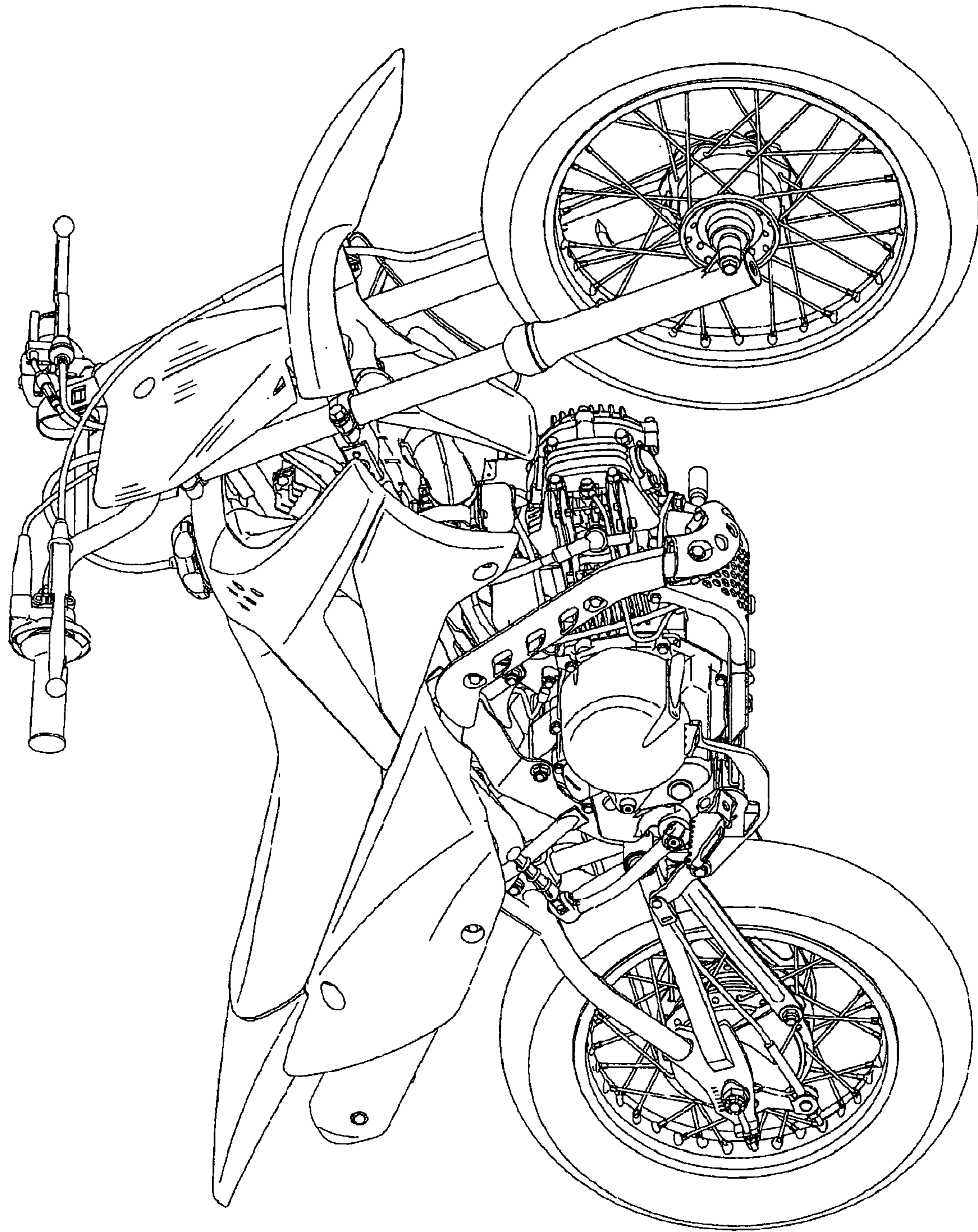


FIG. 7



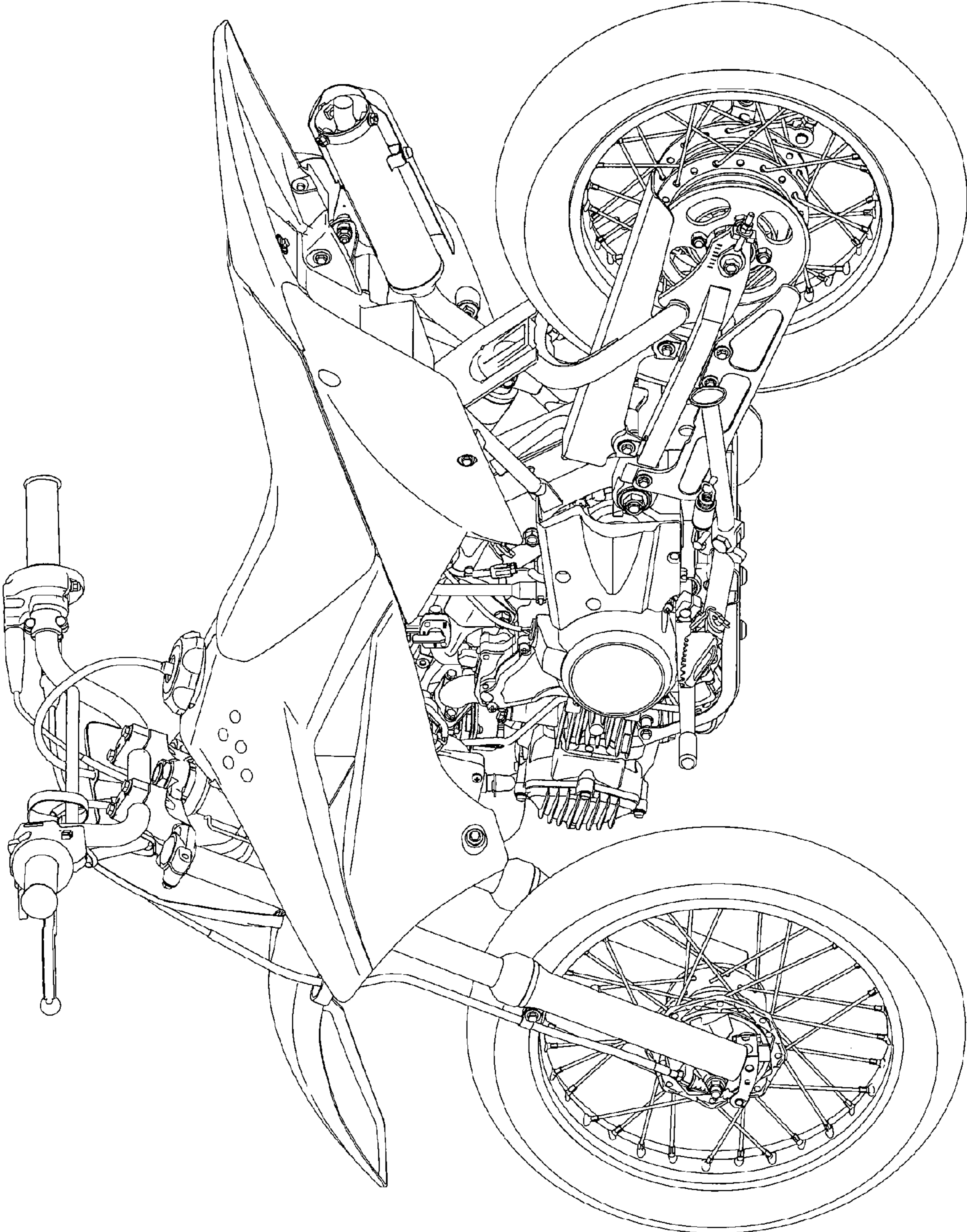


FIG. 8