



US00D640172S

(12) **United States Design Patent**
Furst

(10) **Patent No.:** **US D640,172 S**

(45) **Date of Patent:** **** Jun. 21, 2011**

(54) **VEHICLE EXTERIOR**

(75) Inventor: **Michael W. Furst**, Venice, CA (US)

(73) Assignee: **Honda Motor Co., Ltd.**, Tokyo (JP)

(**) Term: **14 Years**

(21) Appl. No.: **29/378,104**

(22) Filed: **Oct. 29, 2010**

(51) **LOC (9) Cl.** **12-08**

(52) **U.S. Cl.** **D12/90**

(58) **Field of Classification Search** D12/86,
D12/90-92, 88; D21/424, 433, 434; 296/181.1,
296/181.5

See application file for complete search history.

(56) **References Cited**

U.S. PATENT DOCUMENTS

D554,023 S * 10/2007 Davidson D12/92
D596,989 S * 7/2009 Nakajima D12/90

D608,248 S * 1/2010 Hirai D12/90
D610,039 S * 2/2010 Koide et al. D12/90
D626,459 S * 11/2010 Yagi et al. D12/92

* cited by examiner

Primary Examiner — Melody N Brown

(74) *Attorney, Agent, or Firm* — Plumsea Law Group, LLC;
Mark E. Duell

(57) **CLAIM**

The ornamental design for a vehicle exterior, as shown and described.

DESCRIPTION

FIG. 1 is a front perspective view of a vehicle exterior showing my new design;

FIG. 2 is a left rear perspective view thereof;

FIG. 3 is a another left rear perspective view thereof;

FIG. 4 is a side elevational view, the opposite side elevational view being a mirror image thereof;

FIG. 5 is a front view thereof;

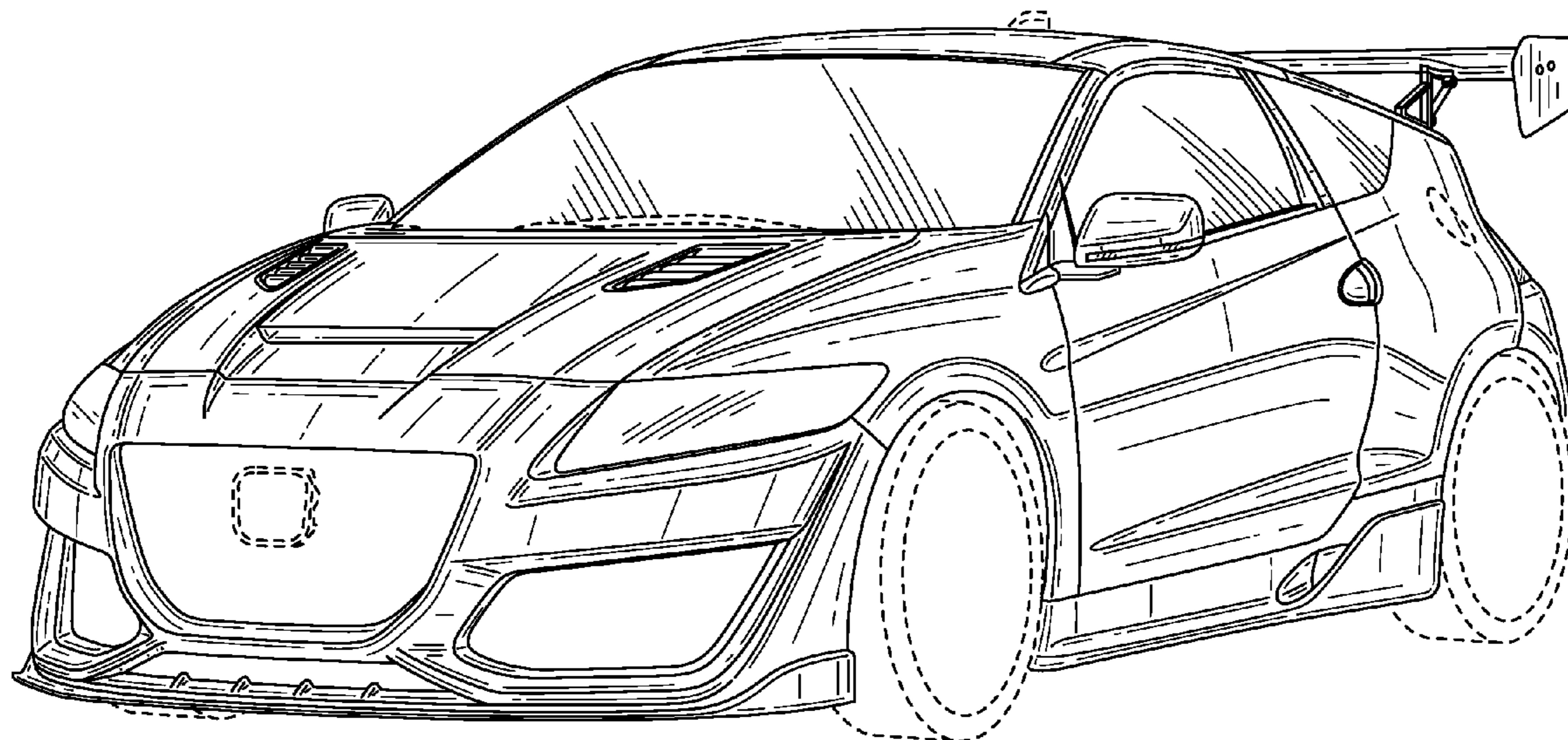
FIG. 6 is a rear view thereof;

FIG. 7 is a right rear perspective view thereof; and,

FIG. 8 is a top plan view thereof.

The broken lines shown throughout the drawing are for illustrative purposes only and form no part of the claimed design.

1 Claim, 7 Drawing Sheets



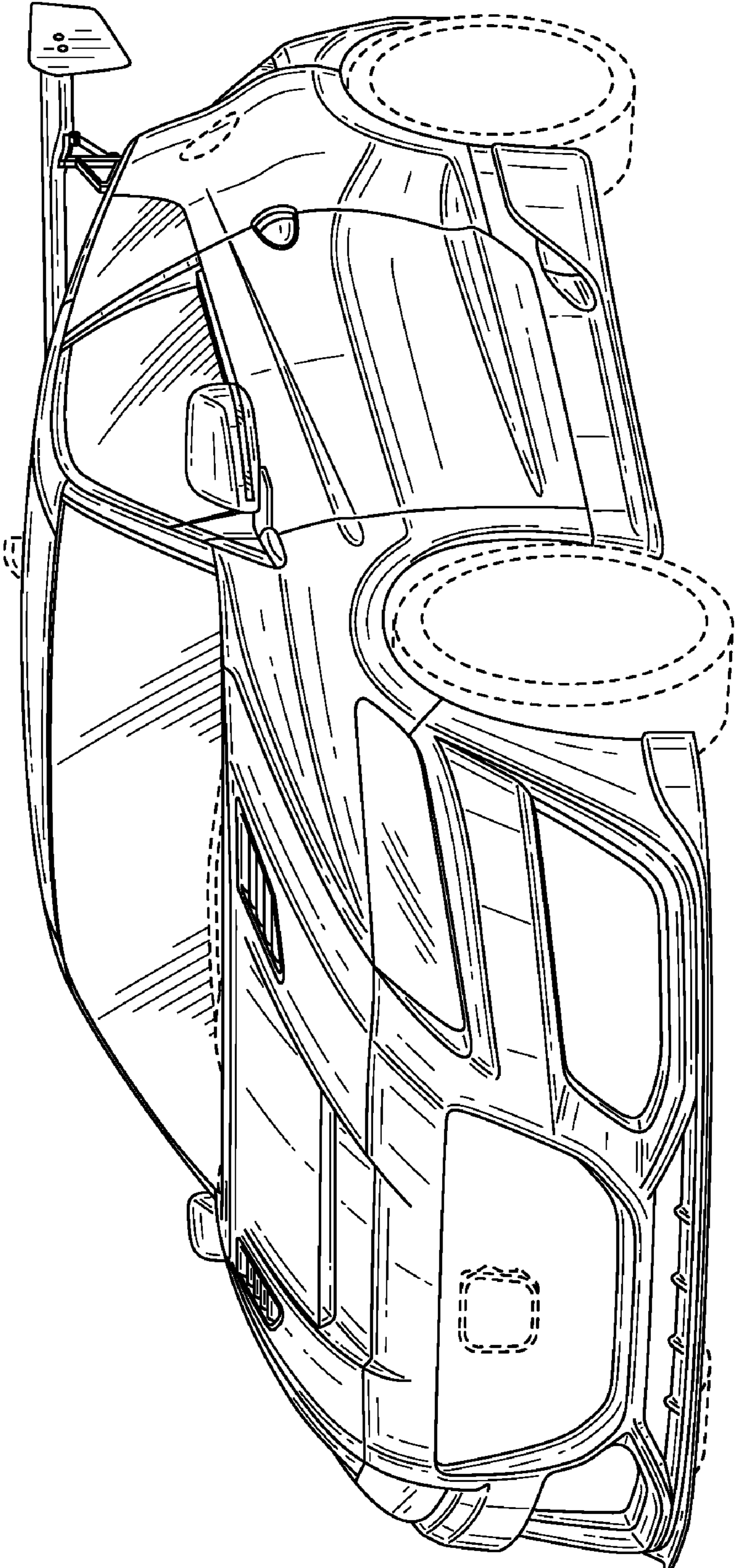


Fig. 1

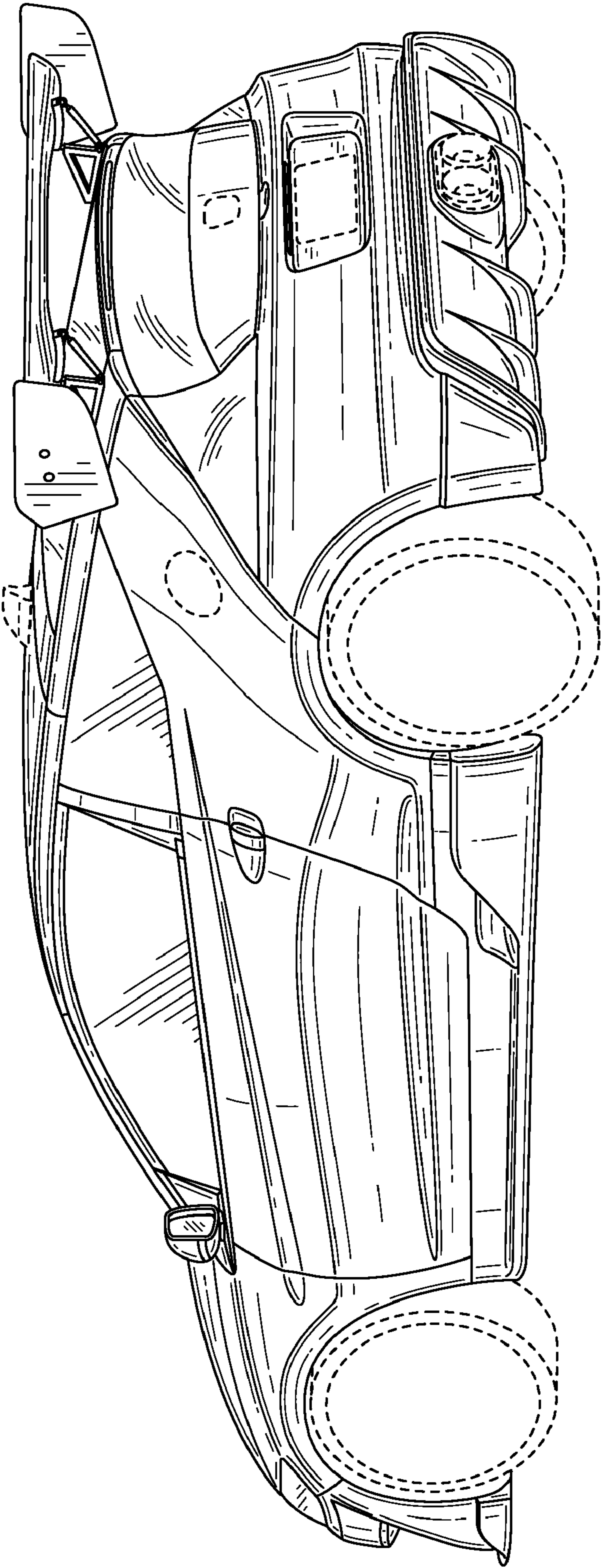


Fig. 2

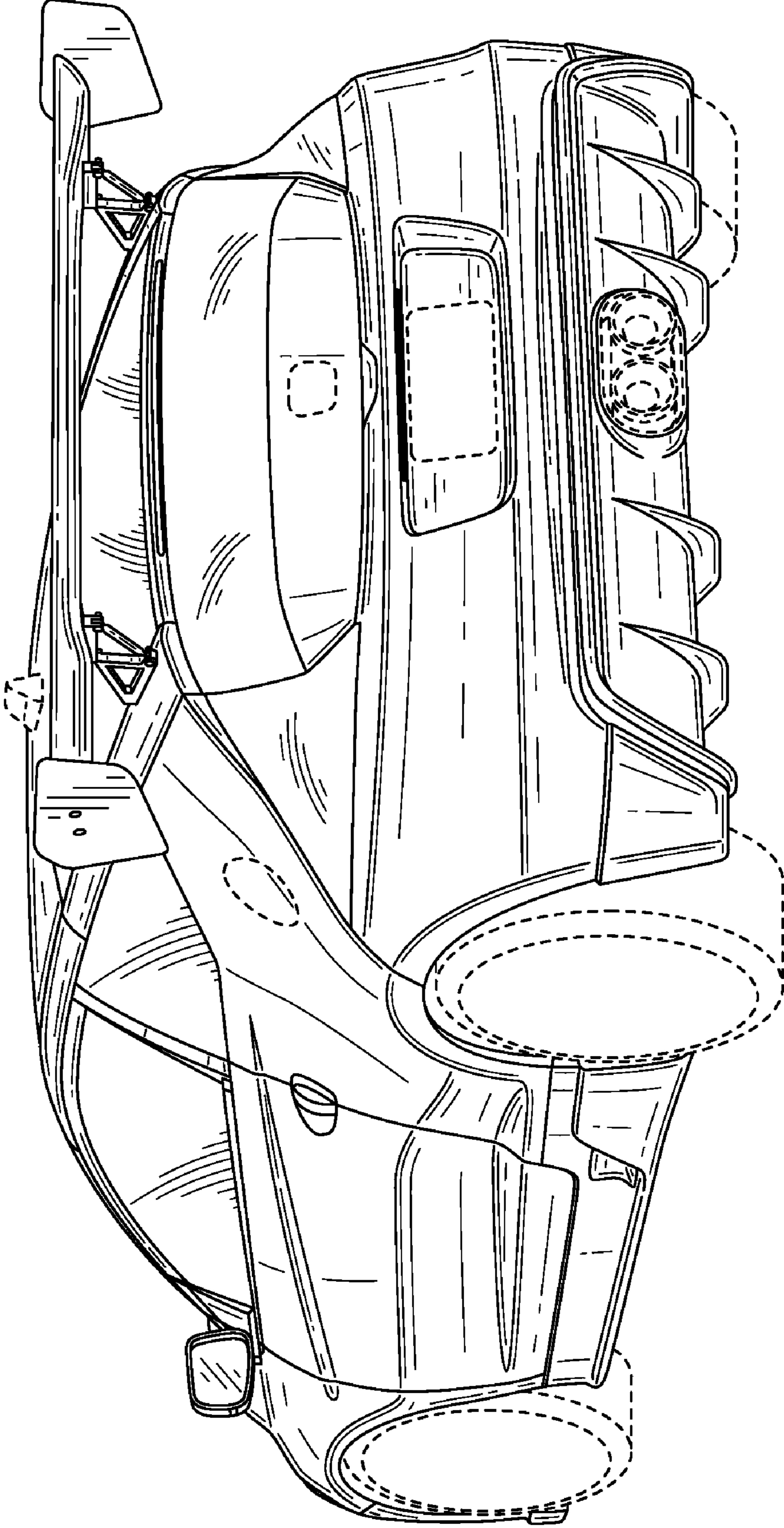


Fig. 3

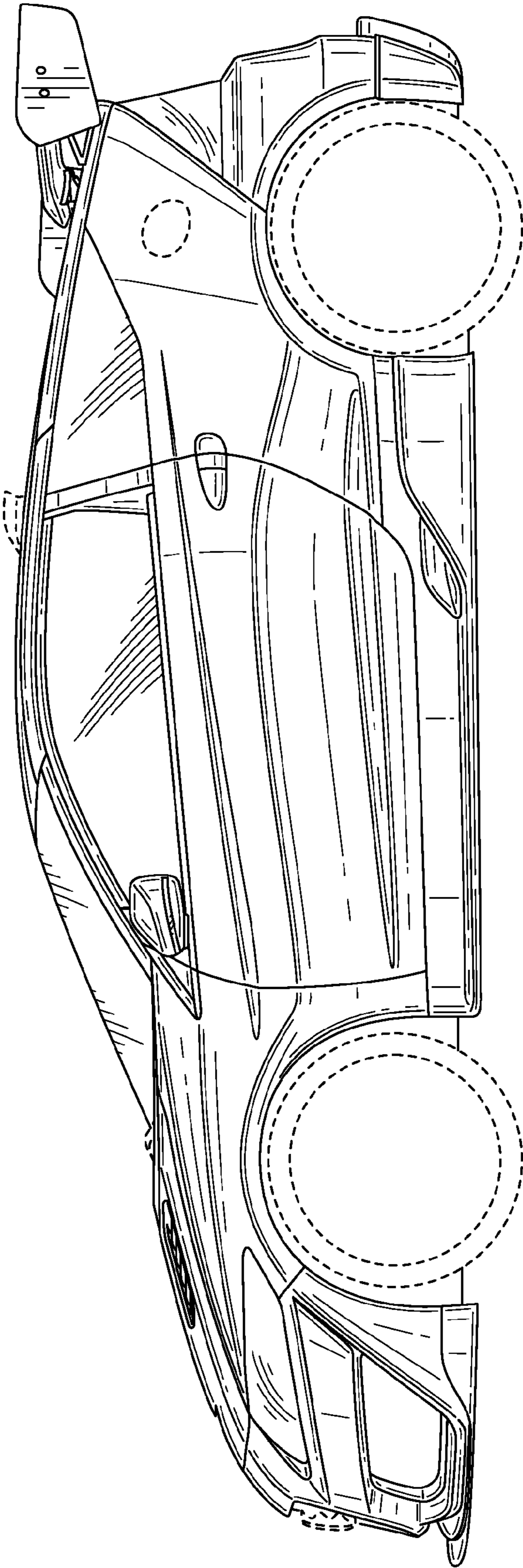


Fig. 4

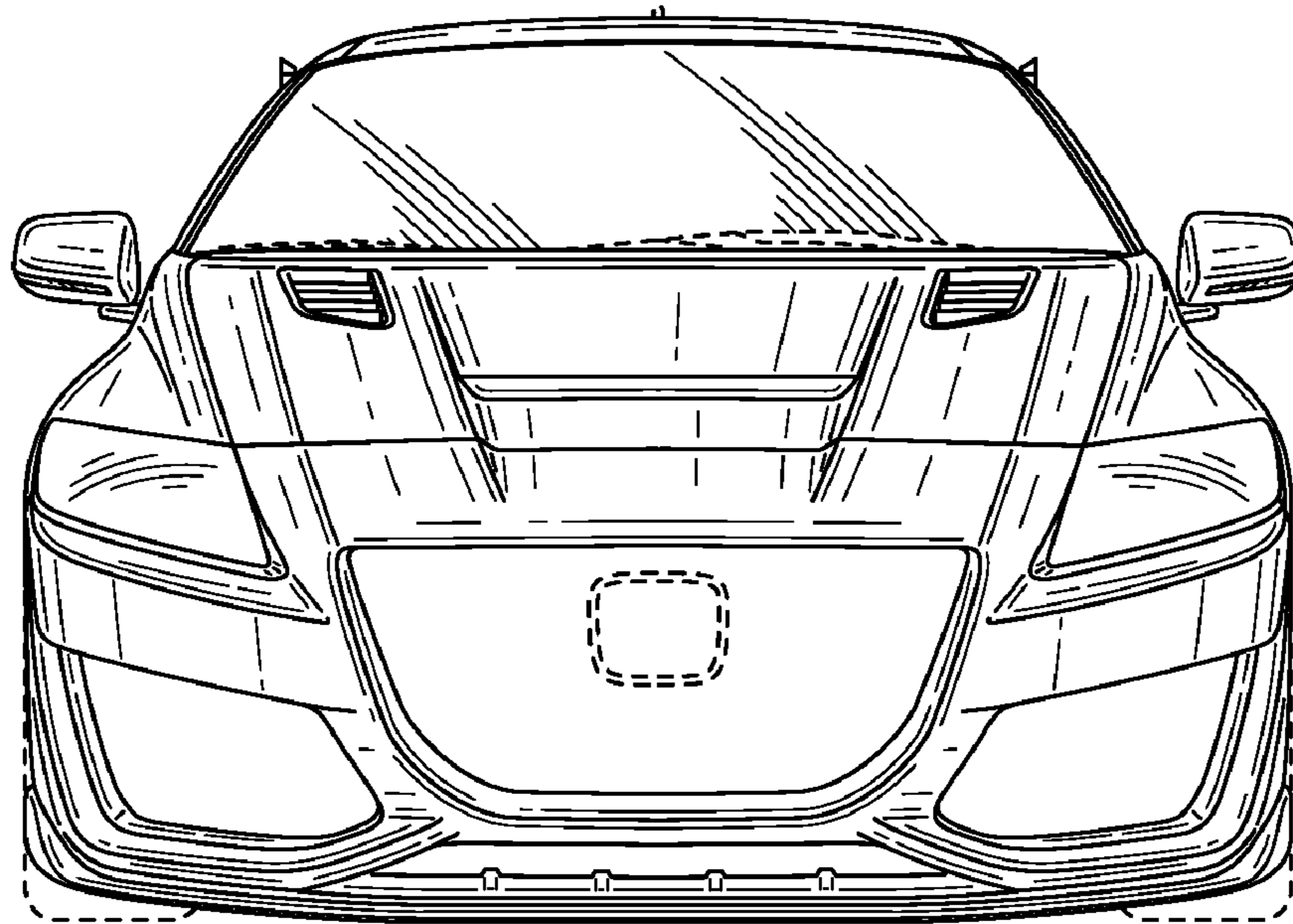


Fig. 5

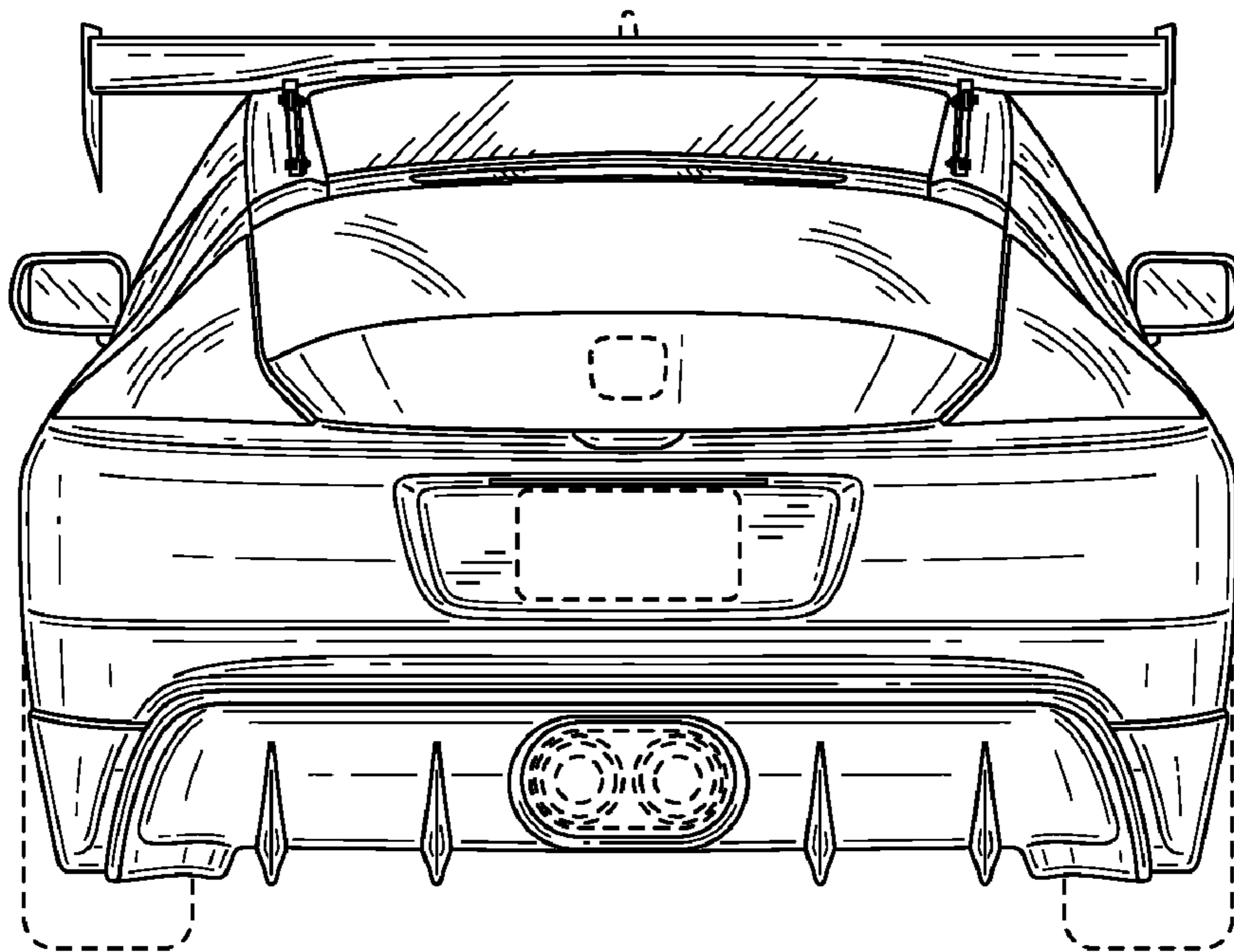


Fig. 6

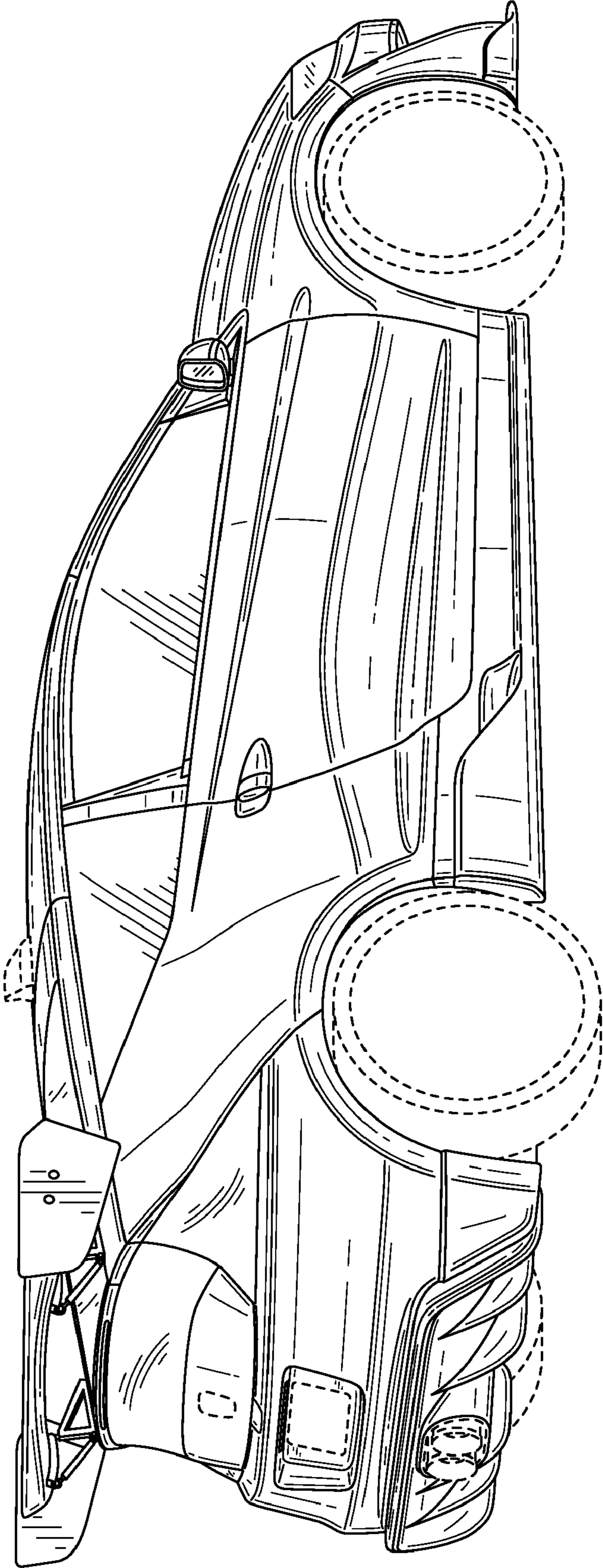


Fig. 7

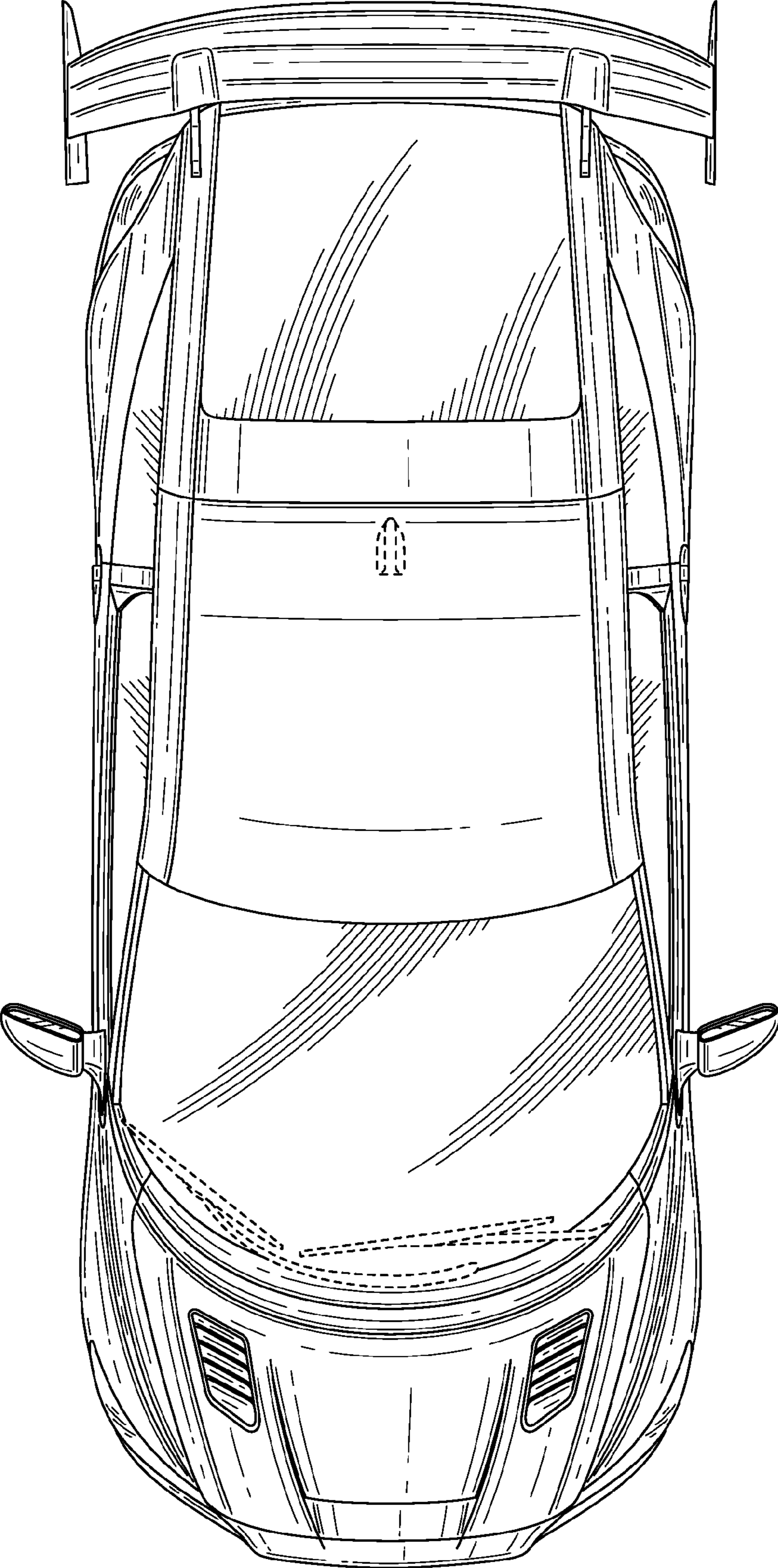


Fig. 8