



US00D640171S

(12) **United States Design Patent**
Danisi

(10) **Patent No.:** **US D640,171 S**
(45) **Date of Patent:** **** Jun. 21, 2011**

(54) **CAR BODY**

(75) Inventor: **Giacomo Danisi**, Nichelino (IT)

(73) Assignee: **Danisi Engineering S.R.L.**, Nichelino (TO) (IT)

(**) Term: **14 Years**

(21) Appl. No.: **29/379,856**

(22) Filed: **Nov. 24, 2010**

(51) **LOC (9) Cl.** **12-08**

(52) **U.S. Cl.** **D12/87**

(58) **Field of Classification Search** D12/86,
D12/87, 1; D21/424, 433; 296/181.1, 181.5
See application file for complete search history.

(56) **References Cited**

U.S. PATENT DOCUMENTS

D220,039 S *	3/1971	Barris	D12/87
D327,237 S *	6/1992	Miyamoto et al.	D12/87
D549,133 S *	8/2007	LePage	D12/87
D574,297 S *	8/2008	Carl	D12/87
D622,631 S *	8/2010	Lai et al.	D12/87
D625,662 S *	10/2010	Li	D12/87

* cited by examiner

Primary Examiner — Melody N Brown

(74) *Attorney, Agent, or Firm* — David A. Farah; Sheldon Mak & Anderson PC

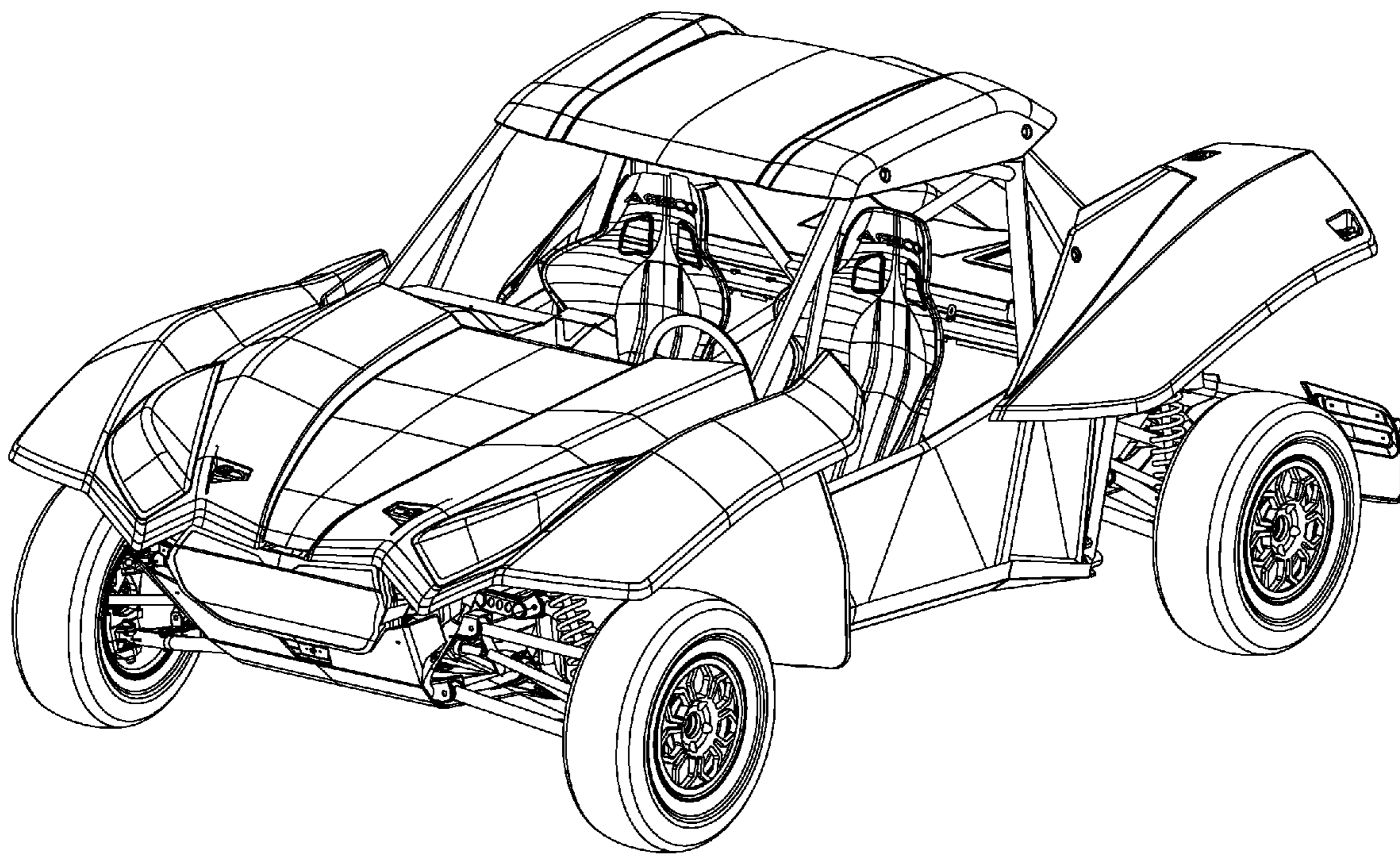
(57) **CLAIM**

The ornamental design of a car body, as shown and described.

DESCRIPTION

FIG. 1 is a front-top-right side perspective view of a car body according to my new design;
FIG. 2 is a front elevation view of the car body shown in FIG. 1;
FIG. 3 is a right side elevation view of the car body shown in FIG. 1;
FIG. 4 is a left side elevation view of the car body shown in FIG. 1;
FIG. 5 is a rear elevation view of the car body shown in FIG. 1;
FIG. 6 is a top elevation view of the car body shown in FIG. 1;
FIG. 7 is a bottom elevation view of the car body shown in FIG. 1; and,
FIG. 8 is a rear-top-left side perspective view of car body shown in FIG. 1.

1 Claim, 8 Drawing Sheets



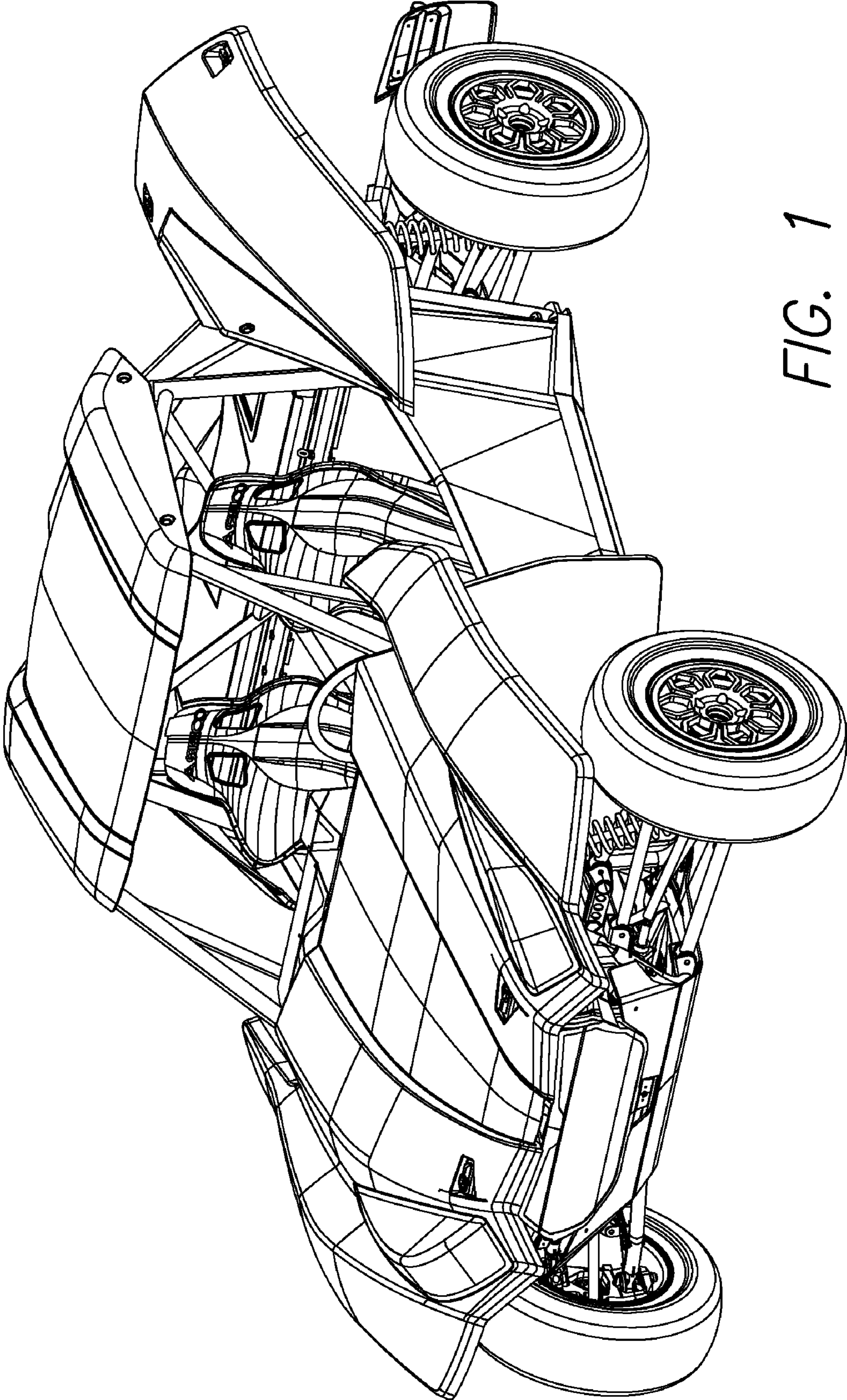


FIG. 1

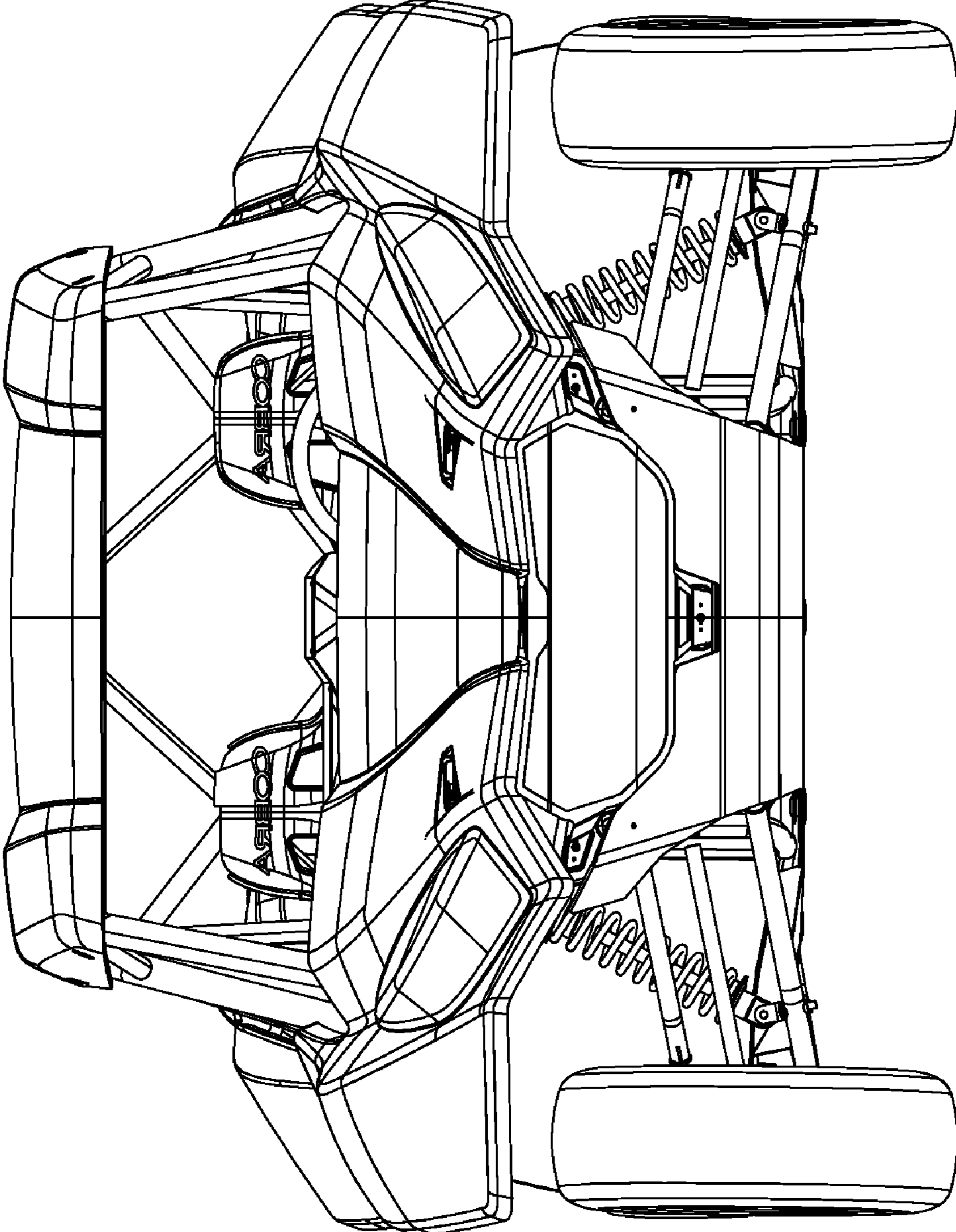


FIG. 2

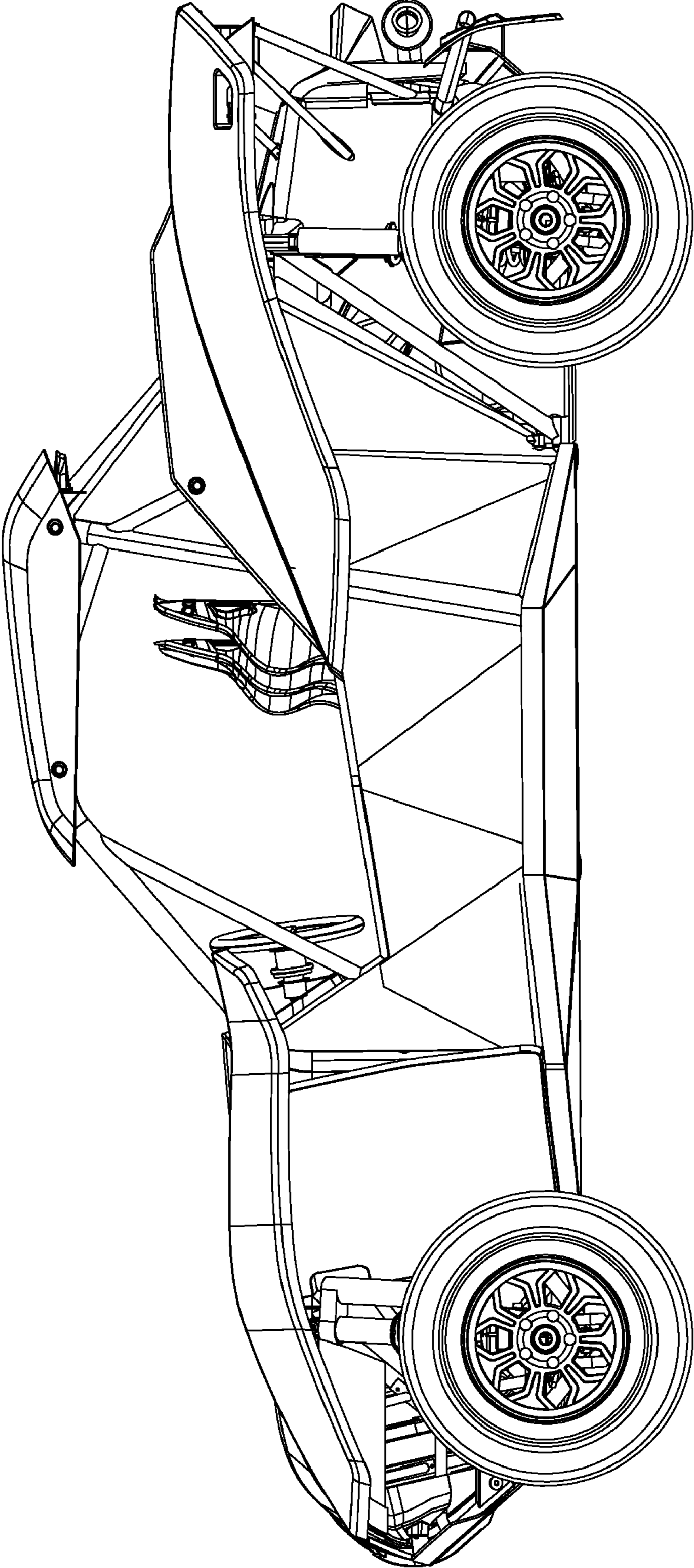


FIG. 3

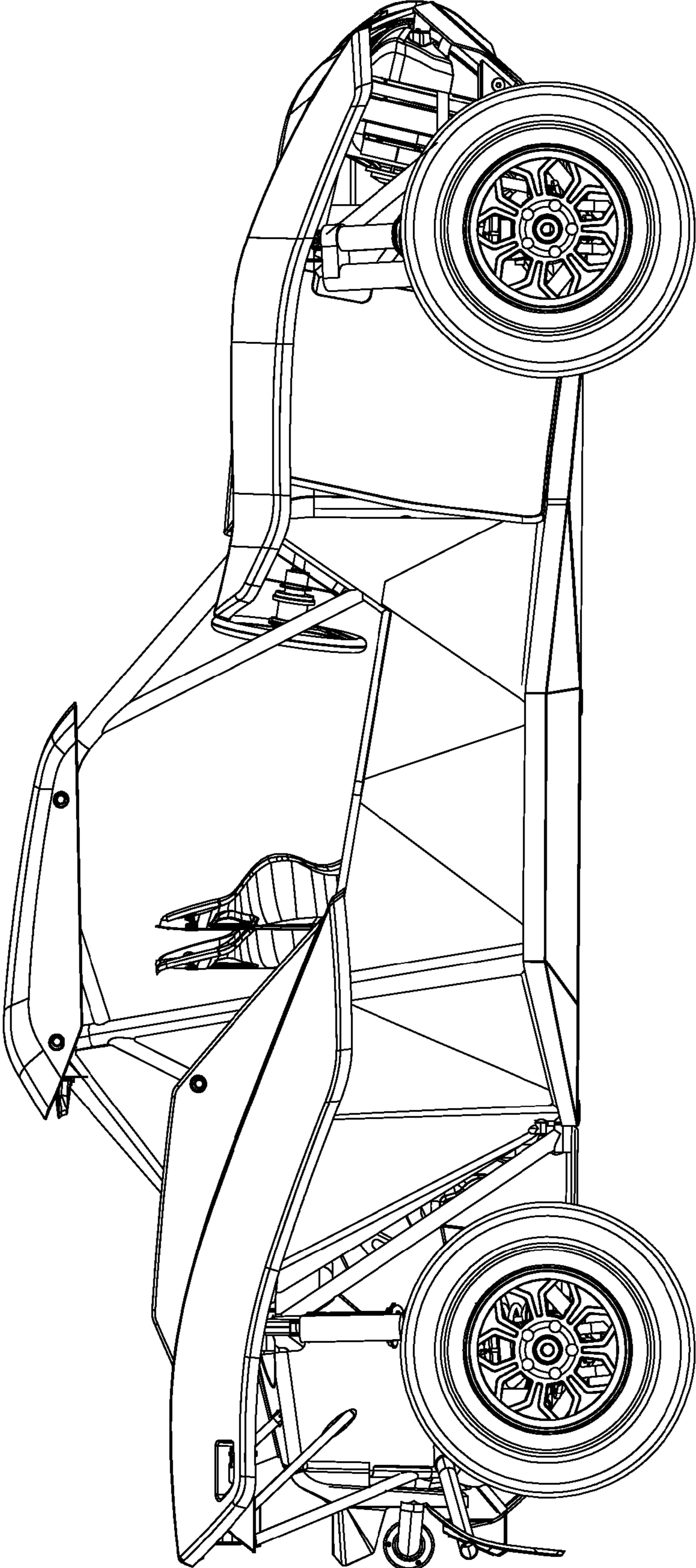


FIG. 4

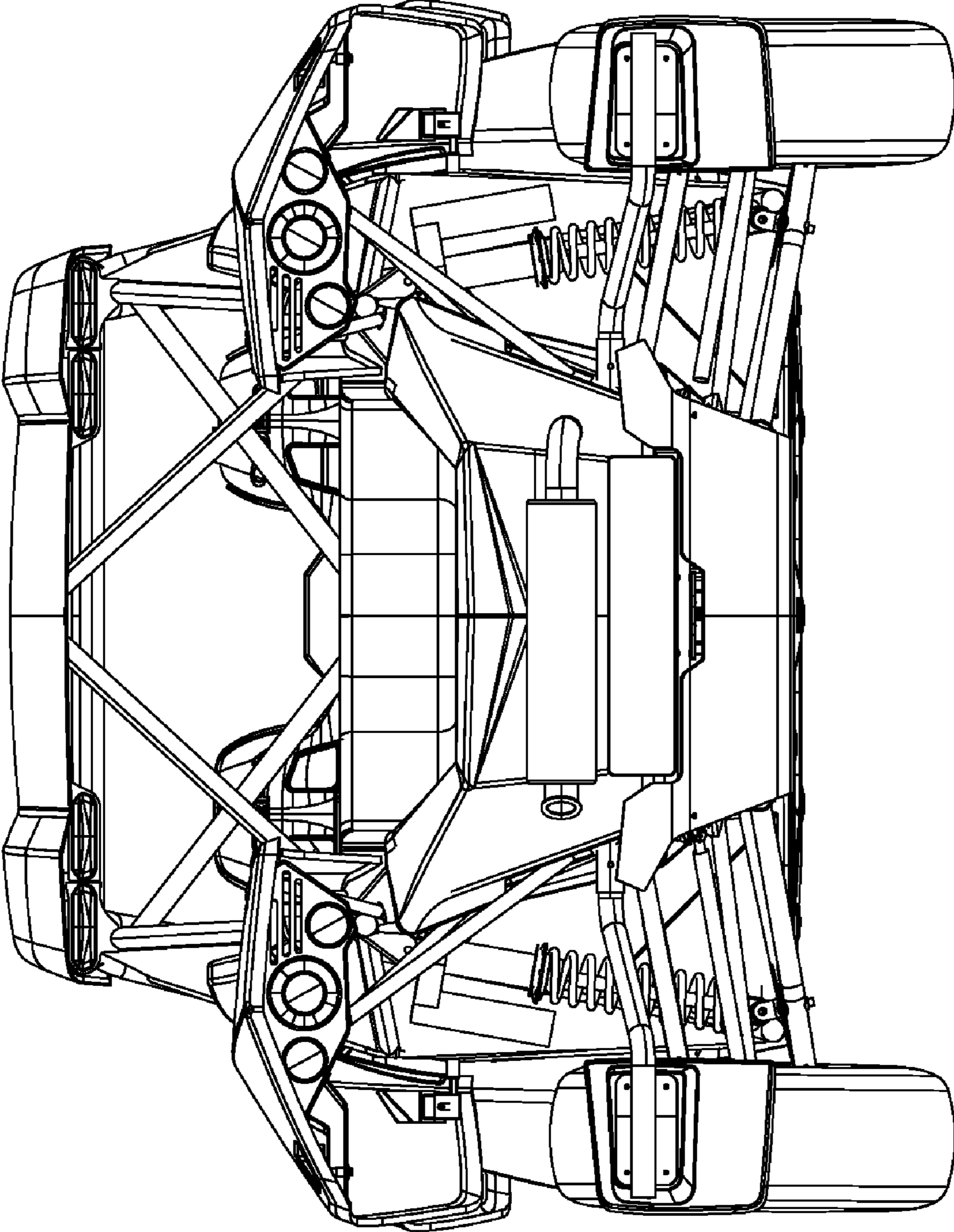


FIG. 5

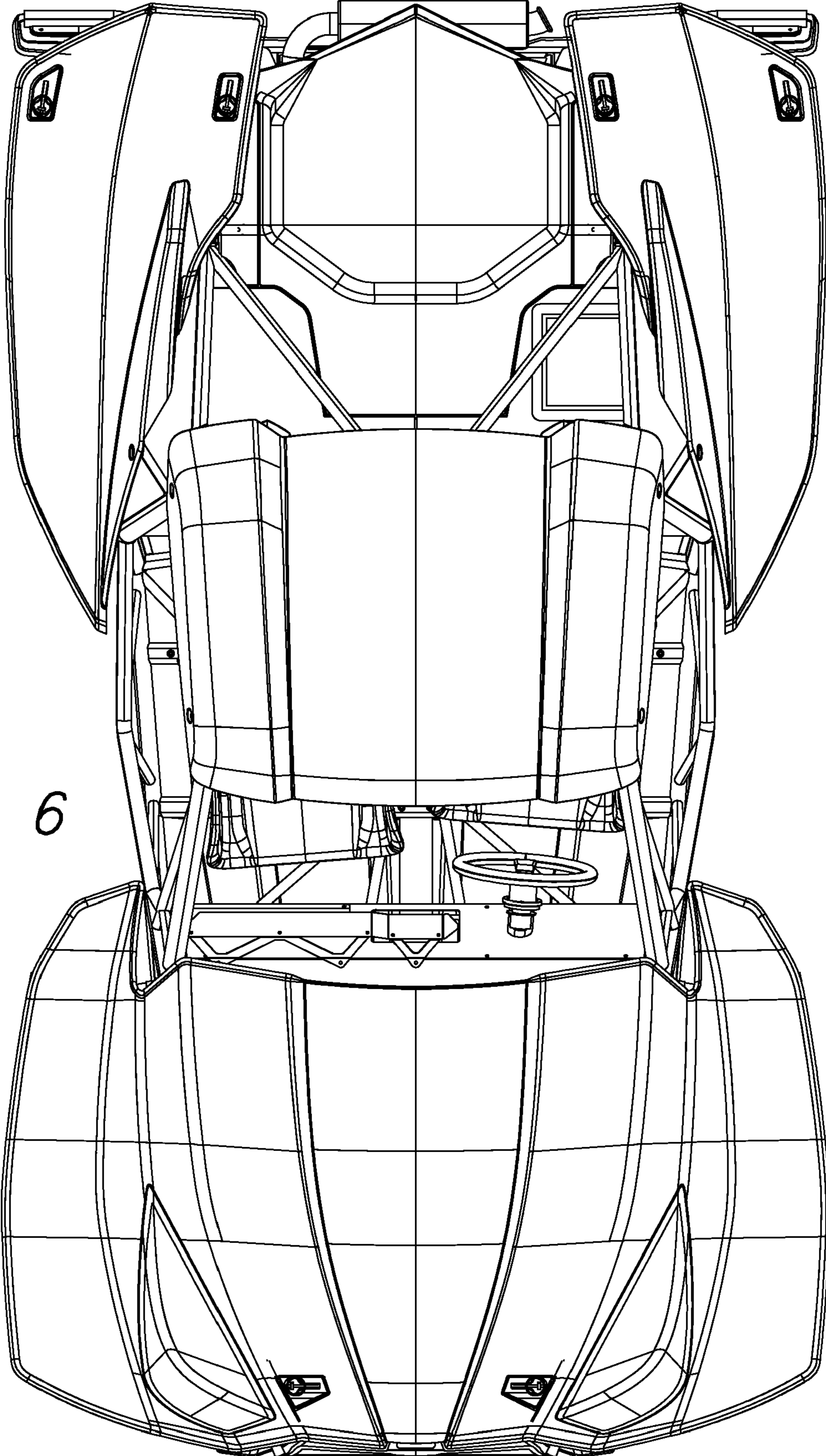


FIG. 6

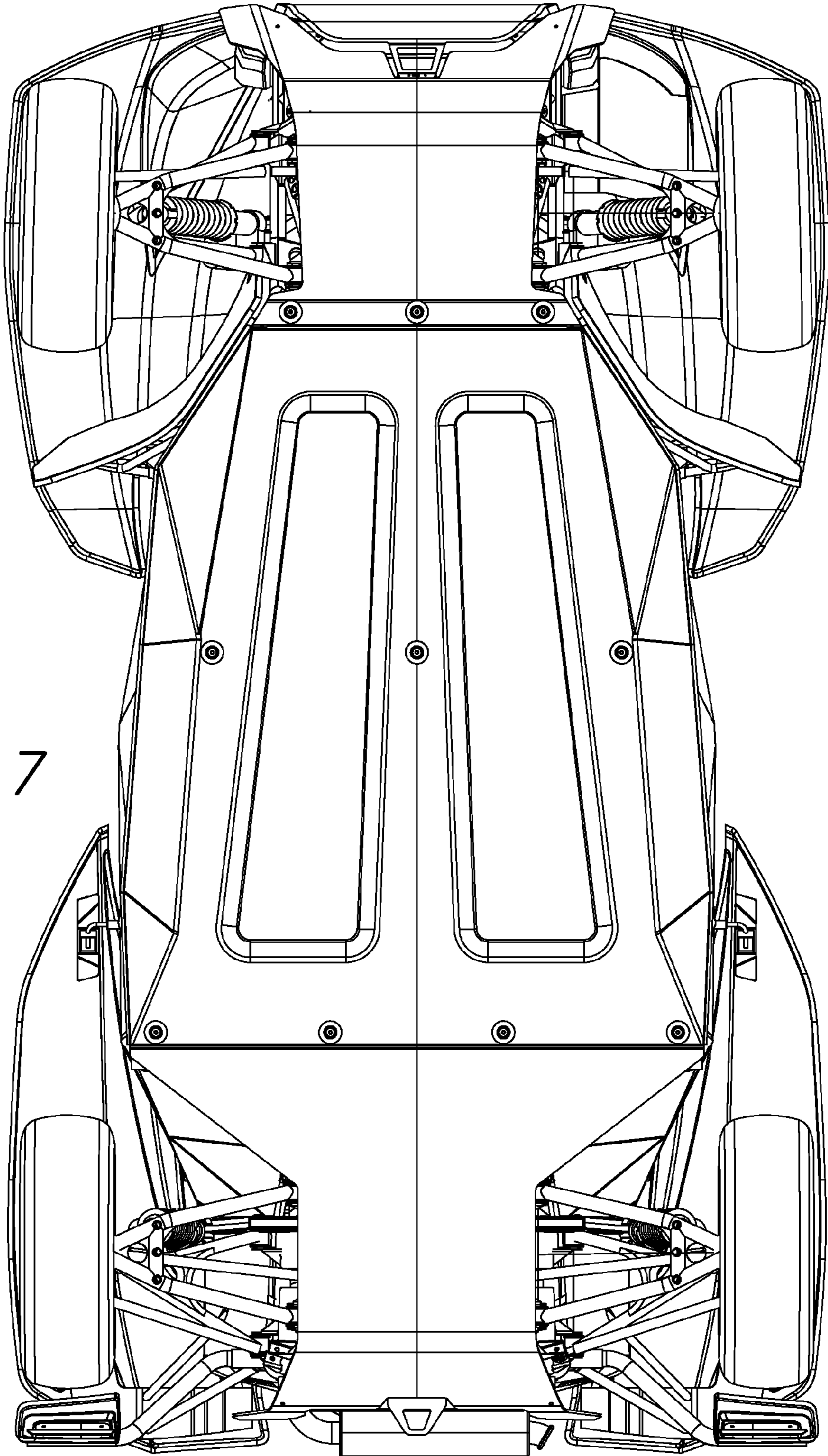


FIG. 7

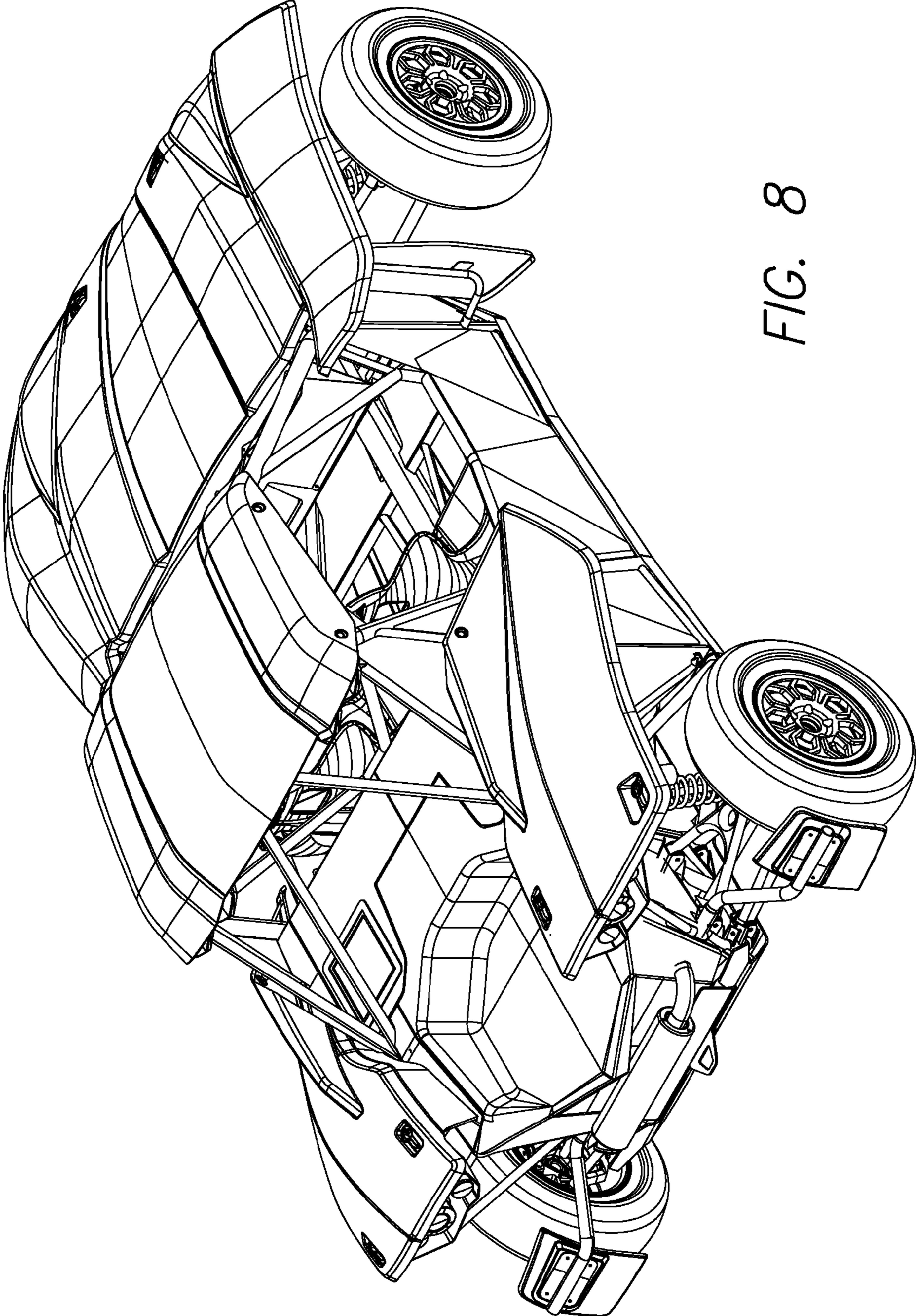


FIG. 8