



US00D640168S

(12) **United States Design Patent**
Girbaud et al.

(10) **Patent No.:** **US D640,168 S**

(45) **Date of Patent:** **** Jun. 21, 2011**

(54) **CLOTHING FASTENER**

(75) Inventors: **François Girbaud**, Paris (FR); **Marithé Bachelier**, Paris (FR)

(73) Assignee: **Wurzburg Holding S.A.**, Luxembourg (LU)

(**) Term: **14 Years**

(21) Appl. No.: **29/383,035**

(22) Filed: **Jan. 11, 2011**

Related U.S. Application Data

(62) Division of application No. 29/330,943, filed on Jan. 16, 2009.

(51) **LOC (9) Cl.** **02-07**

(52) **U.S. Cl.** **D11/200; D11/222**

(58) **Field of Classification Search** D11/1-2,
D11/200-201, 206-210, 214-218, 222, 229-230;
24/163 R, 169-171, 173, 177-179, 191, 194-195,
24/197, 200, 614-616, 625

See application file for complete search history.

(56) **References Cited**

U.S. PATENT DOCUMENTS

D39,299 S *	5/1908	Mann	D11/200
D80,155 S *	12/1929	Wightman	D11/200
D80,594 S *	2/1930	Wightman	D11/200
D86,665 S *	4/1932	Carley	D11/222
D91,582 S *	2/1934	Haas	D11/222
D110,843 S *	8/1938	Buchsbaum	D11/201
D145,567 S *	9/1946	Drell	D11/222
D557,631 S *	12/2007	Alfone et al.	D11/212

* cited by examiner

Primary Examiner — Ralf Seifert

(74) *Attorney, Agent, or Firm* — Polster, Lieder, Woodruff & Lucchesi, L.C.

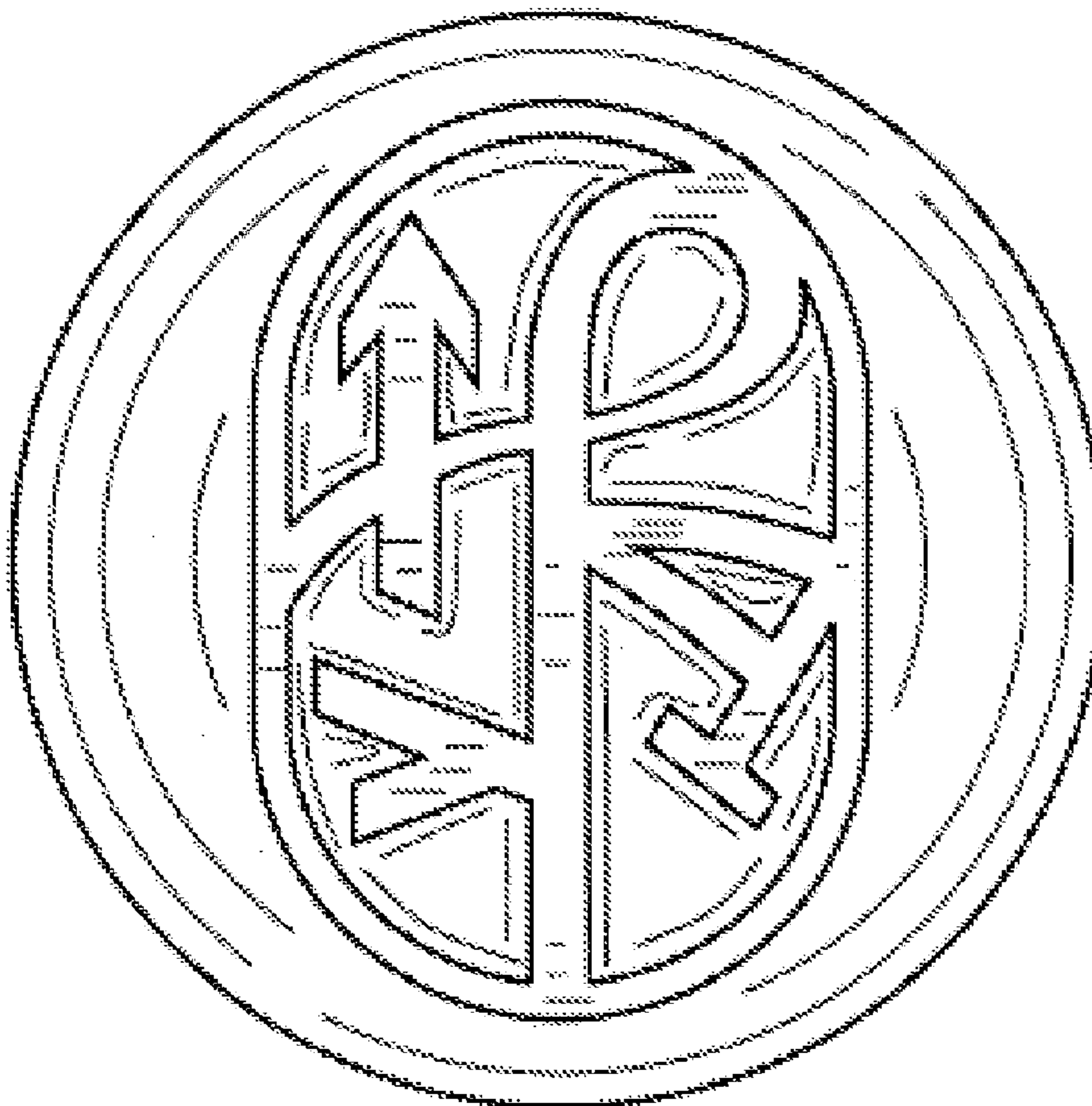
(57) **CLAIM**

The ornamental design for clothing fastener, as shown and described.

DESCRIPTION

FIG. 1 is a top view of a clothing fastener showing our new design, it being understood that it is a clothing fastener such as a button or rivet; and, FIG. 2 is a perspective view. The broken line showing of a fastening means is included for the purpose of illustrating environmental matter and forms no part of the claimed design.

1 Claim, 1 Drawing Sheet



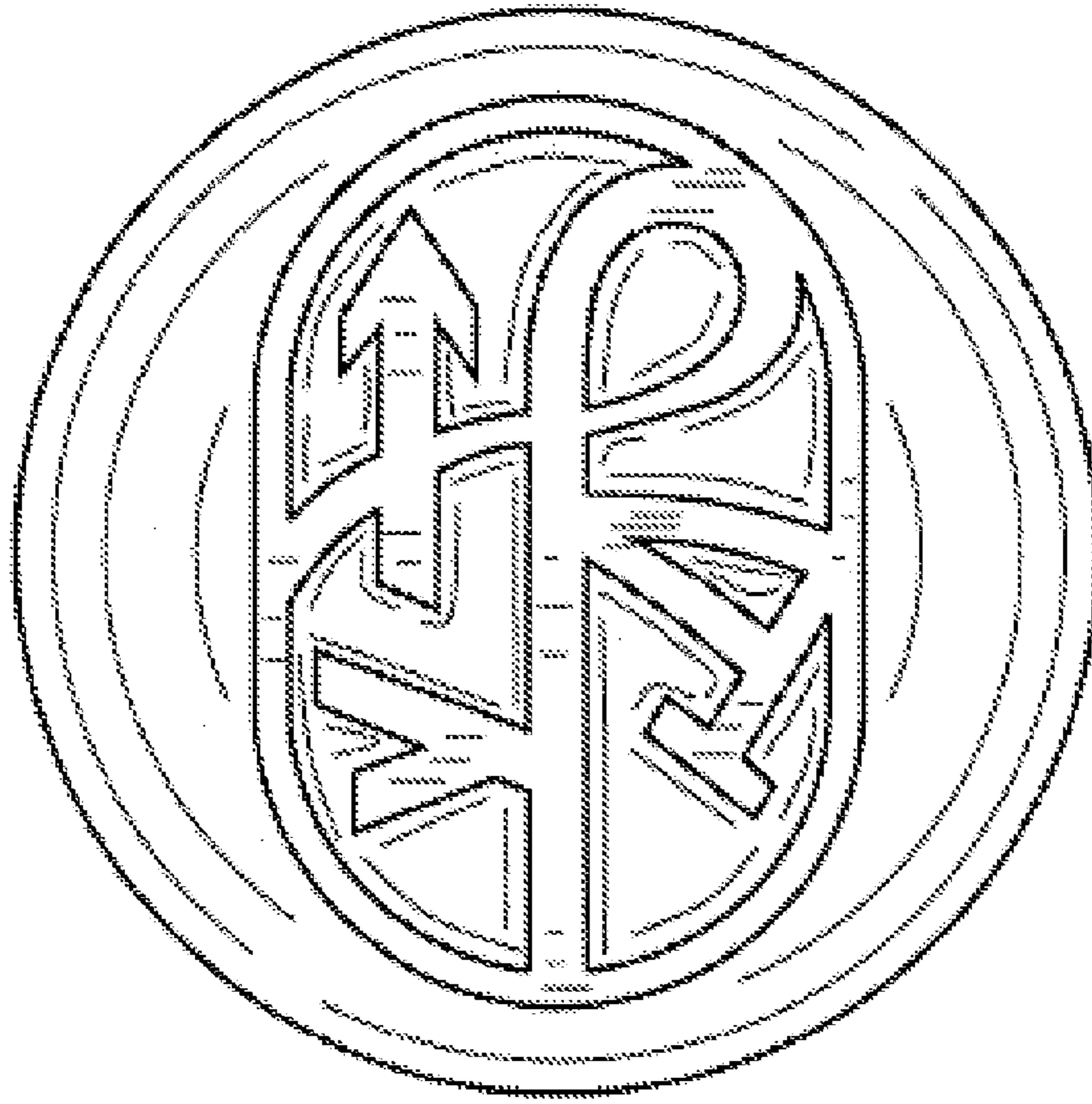


FIGURE 1

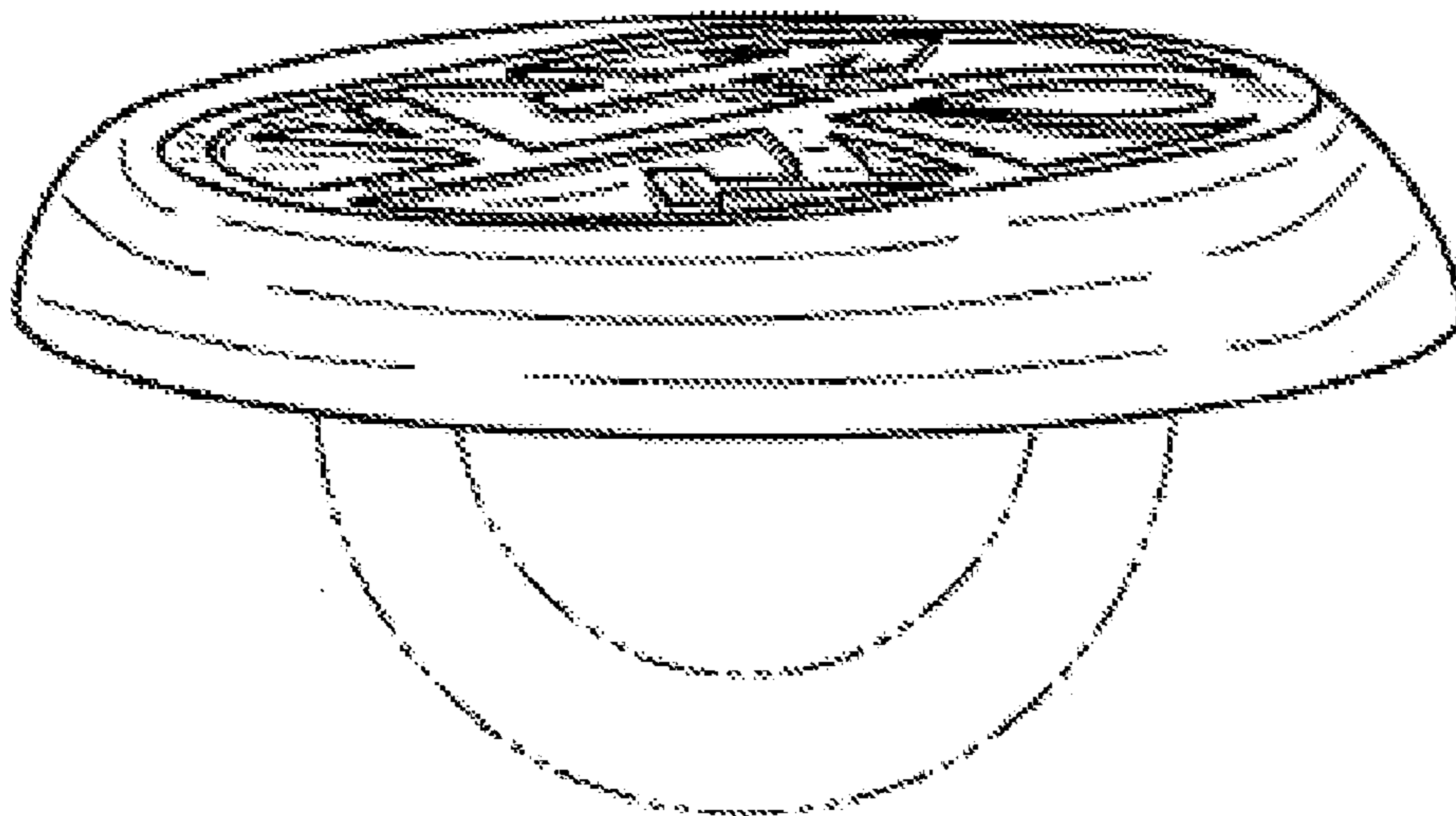


FIGURE 2