

US00D640167S

(12) **United States Design Patent**  
**Chang**

(10) **Patent No.:** **US D640,167 S**

(45) **Date of Patent:** **\*\* Jun. 21, 2011**

(54) **SHOE BUCKLE**

(76) Inventor: **Chao-Nan Chang**, Fongyuan (TW)

(\*\*) Term: **14 Years**

(21) Appl. No.: **29/371,245**

(22) Filed: **Dec. 13, 2010**

(51) **LOC (9) Cl.** ..... **02-07**

(52) **U.S. Cl.** ..... **D11/200**

(58) **Field of Classification Search** ..... D11/1-2,  
D11/200-201, 203-206, 210, 212, 214-219,  
D11/222, 224, 226, 86, 87; 24/163 R, 169-171,  
24/173, 177-179, 191, 194-195, 197, 200  
See application file for complete search history.

(56) **References Cited**

**U.S. PATENT DOCUMENTS**

D182,071 S \* 2/1958 Henderson ..... D11/200  
D434,344 S \* 11/2000 Nezu ..... D11/216

D516,952 S \* 3/2006 Kingsford et al. .... D11/200  
D544,400 S \* 6/2007 Yoshiguchi ..... D11/200  
D603,751 S \* 11/2009 Murray et al. .... D11/200  
D623,986 S \* 9/2010 Krakoff ..... D11/200  
D628,513 S \* 12/2010 Della Valle et al. .... D11/200

\* cited by examiner

*Primary Examiner* — Ralf Seifert

(57) **CLAIM**

The ornamental design for a shoe buckle, as shown.

**DESCRIPTION**

FIG. 1 is a perspective view of a shoe buckle showing my new design;

FIG. 2 is a right side elevational view thereof;

FIG. 3 is a top plan view thereof;

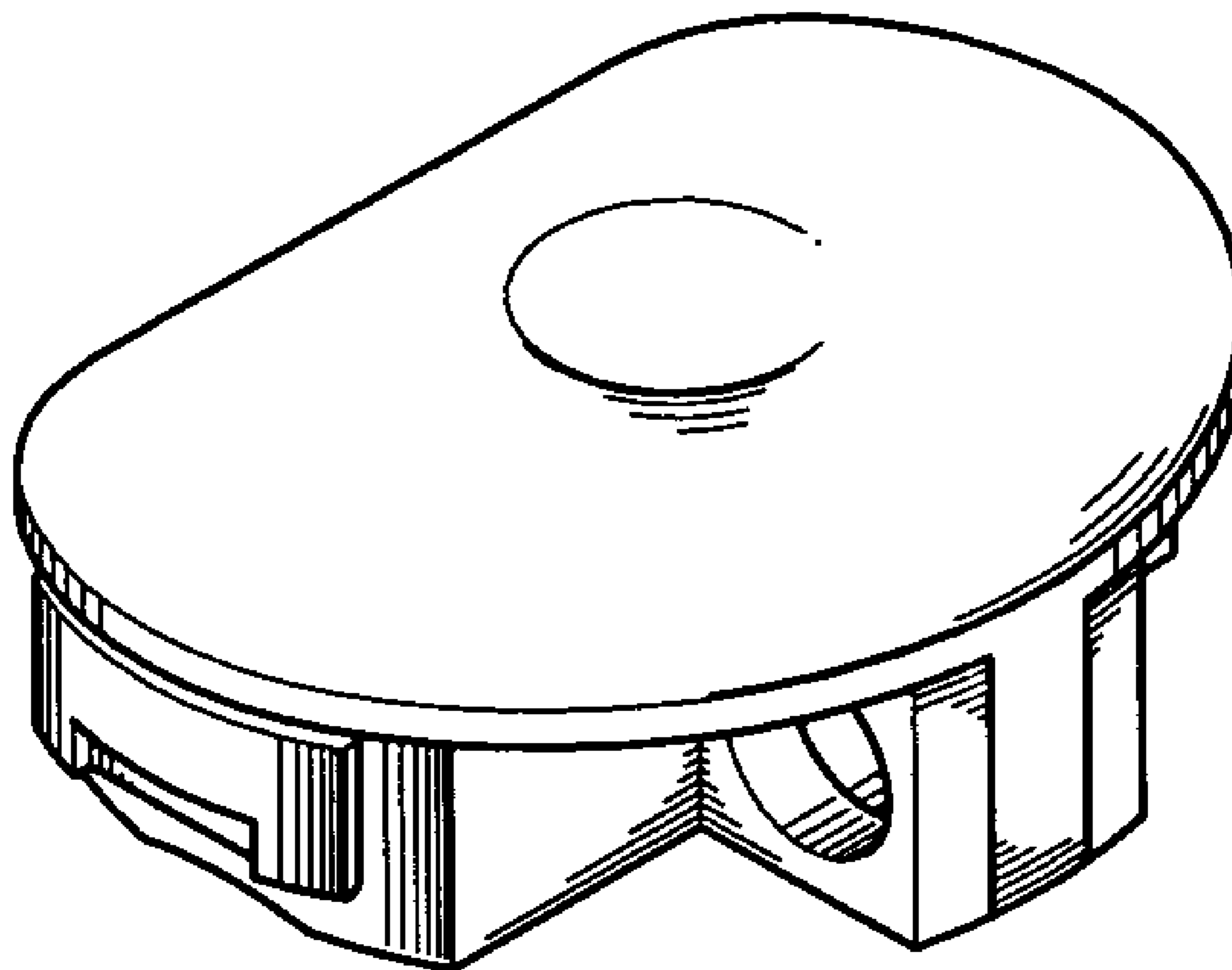
FIG. 4 is a front elevational view thereof;

FIG. 5 is a bottom plan view thereof;

FIG. 6 is a left side elevational view thereof; and,

FIG. 7 is a rear elevational view thereof.

**1 Claim, 4 Drawing Sheets**



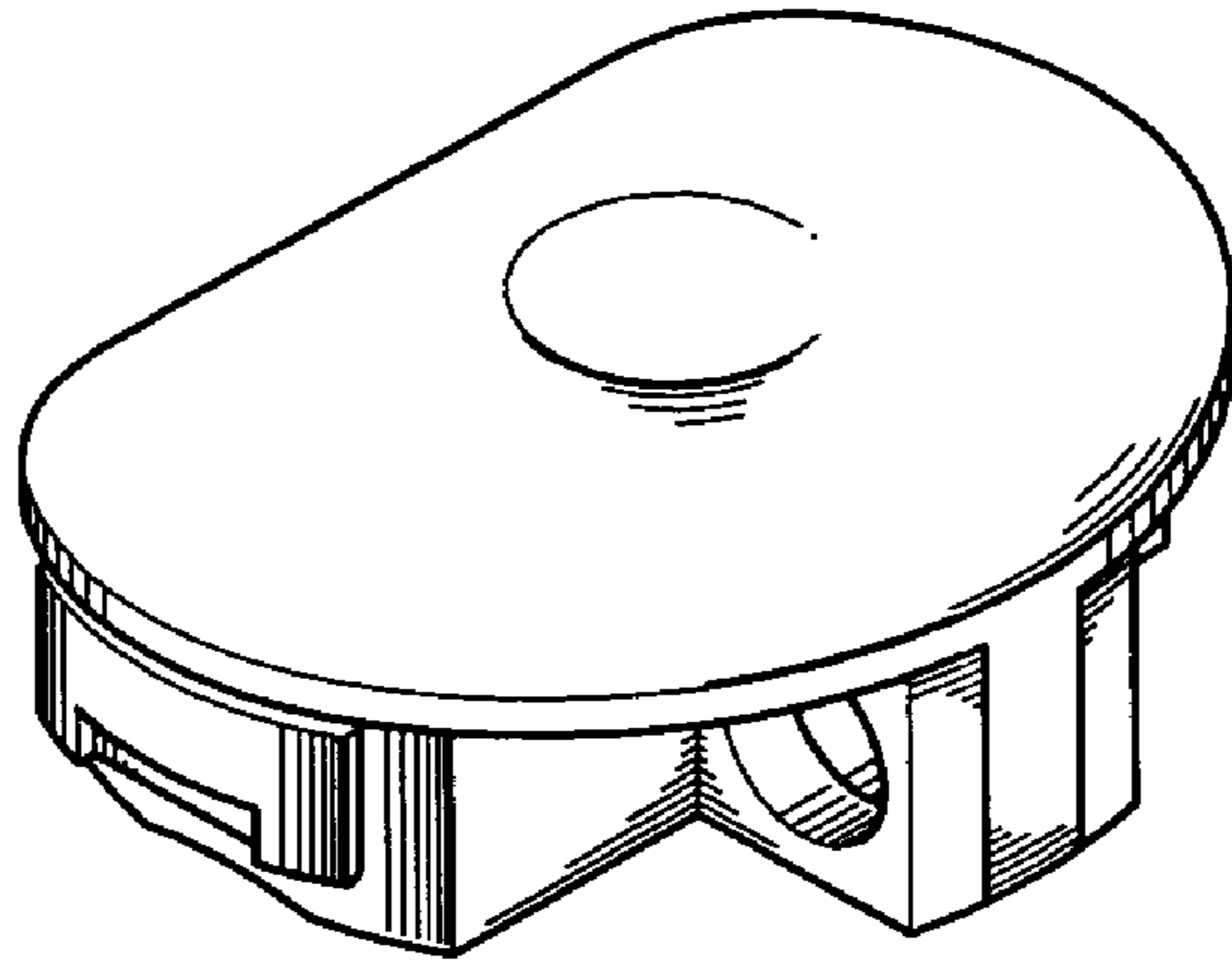


FIG. 1

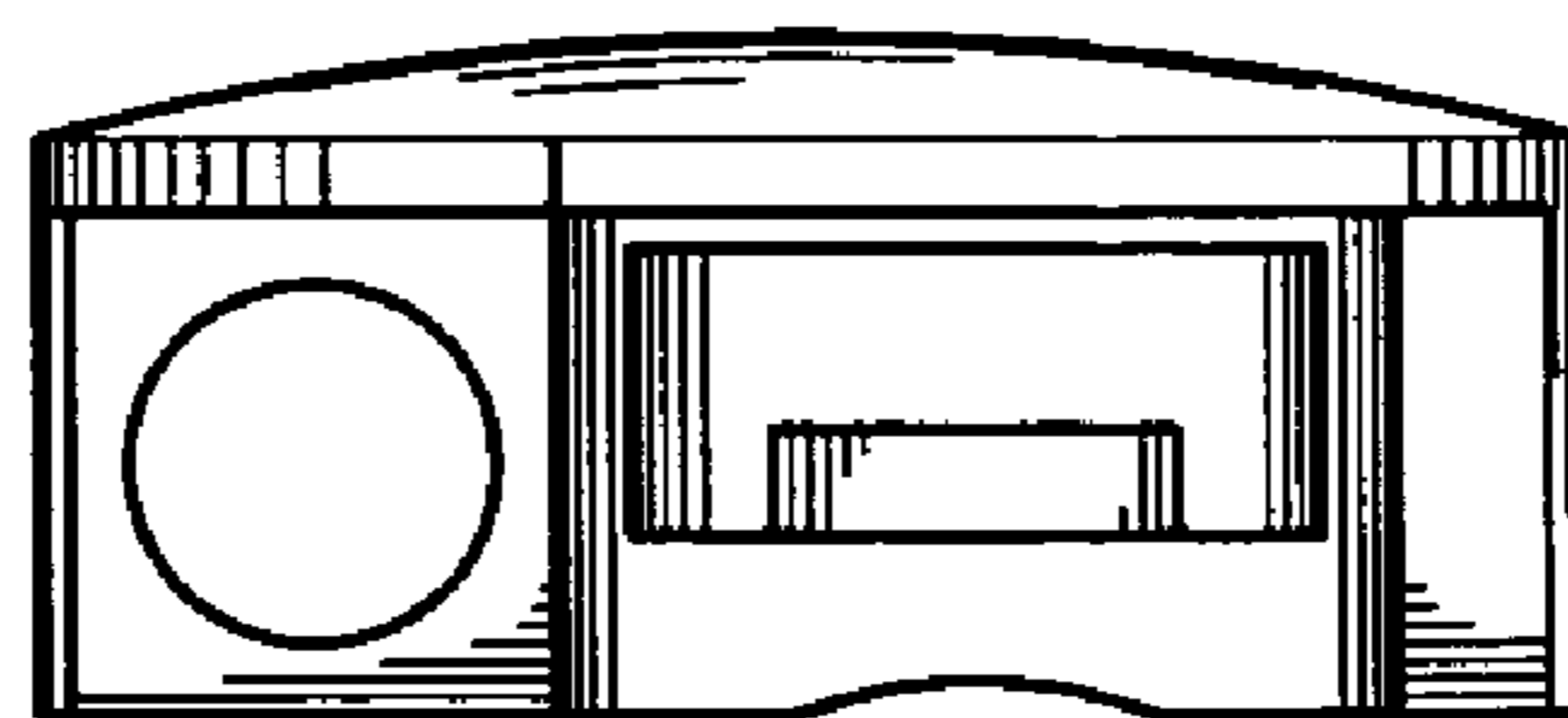


FIG. 2

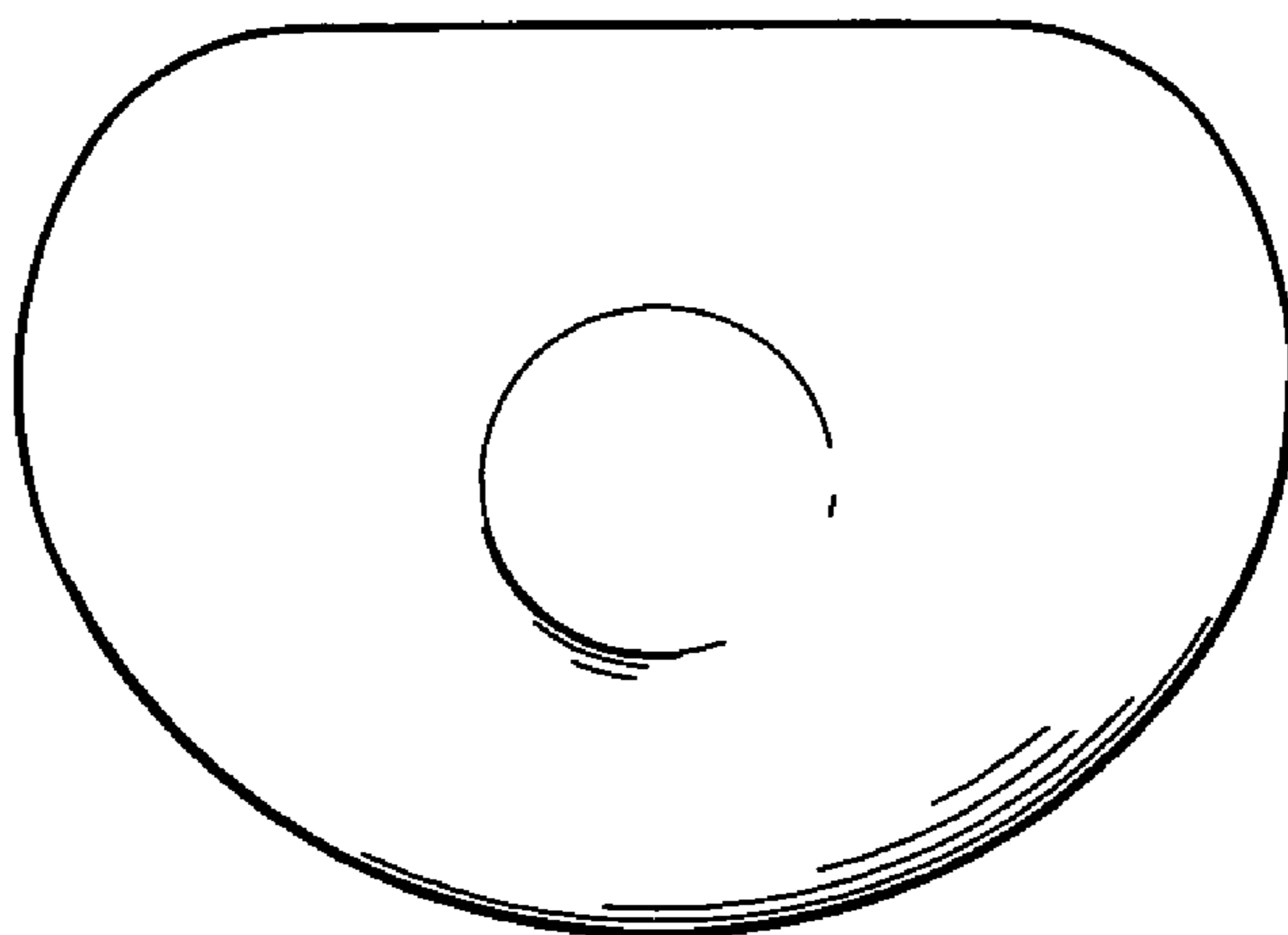


FIG. 3



FIG. 4

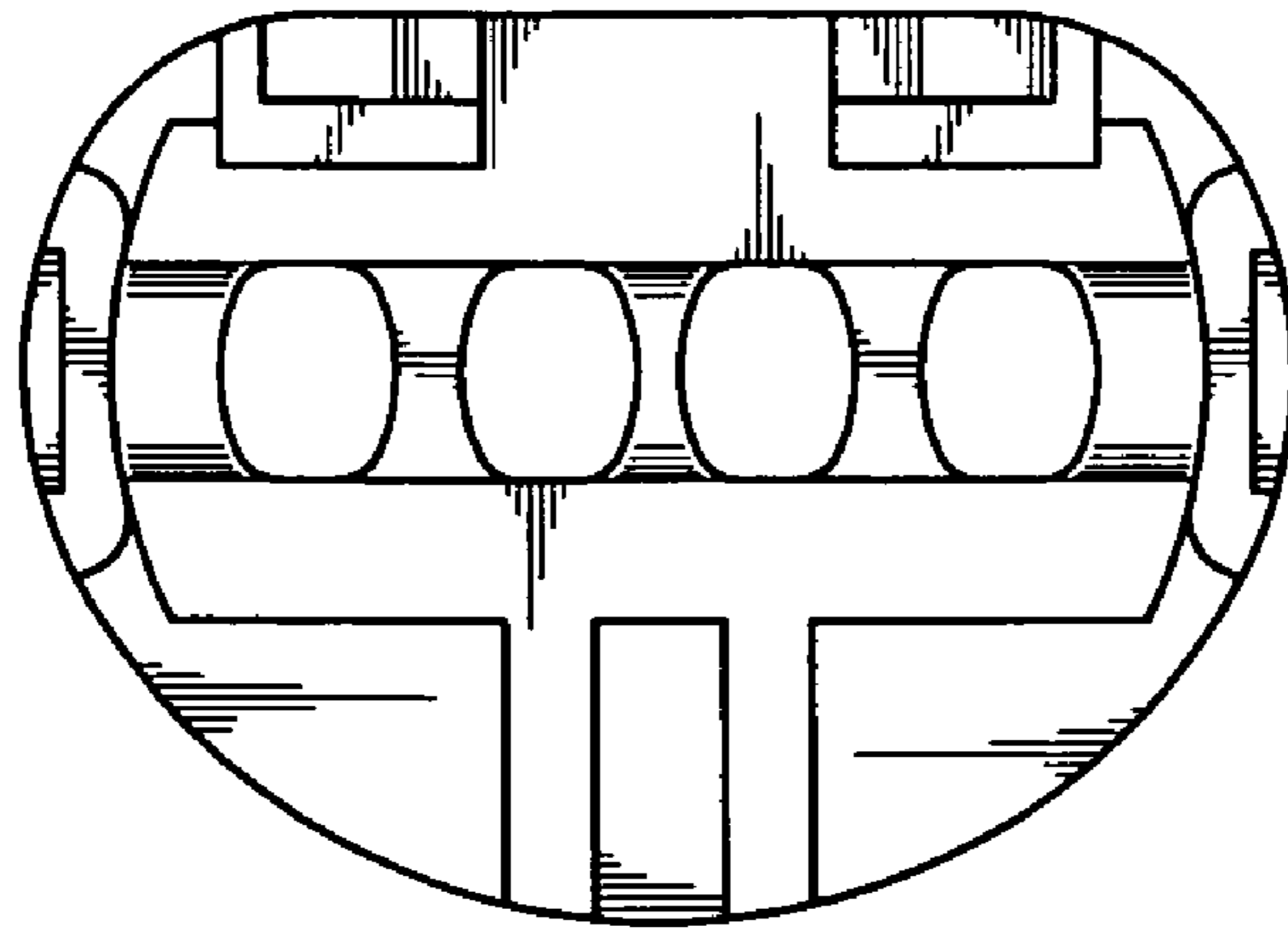


FIG. 5

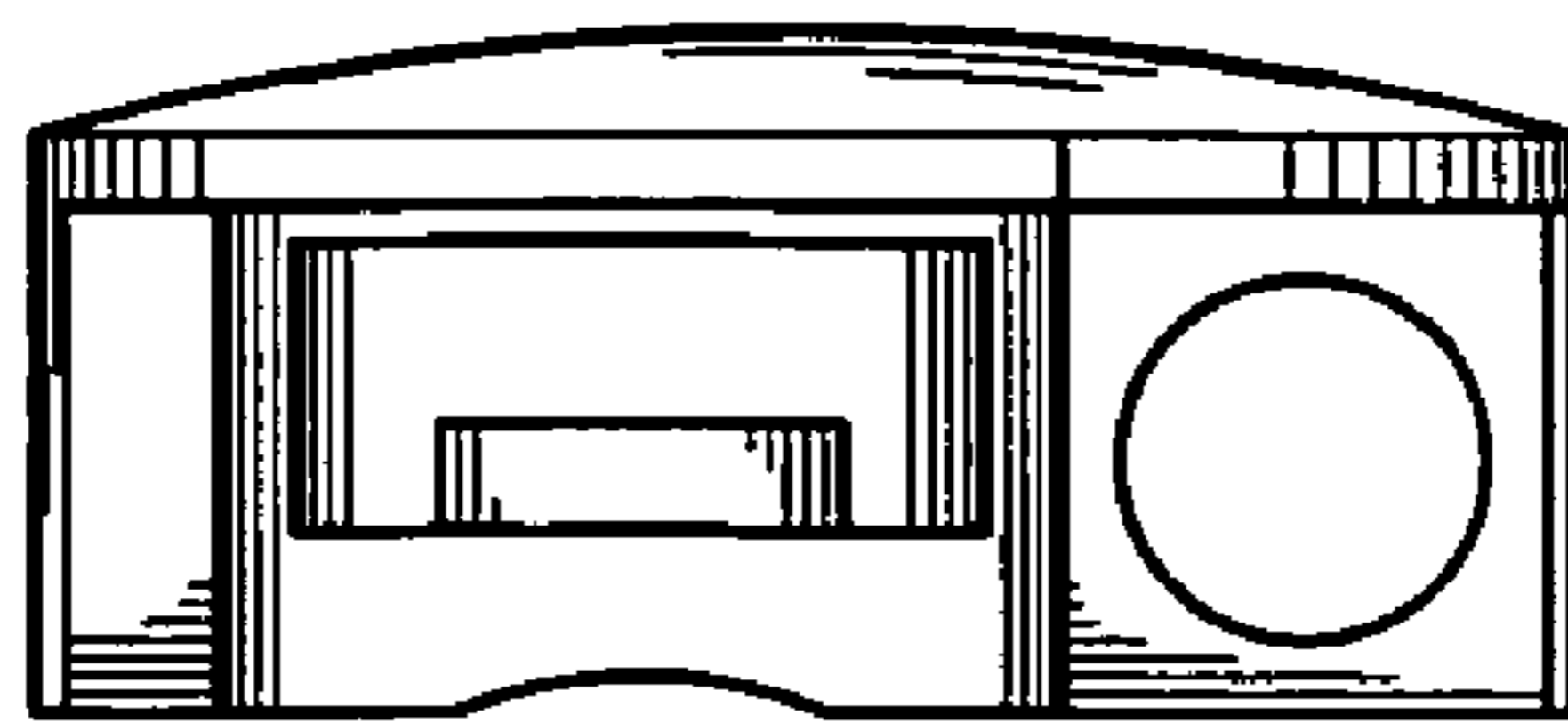


FIG. 6

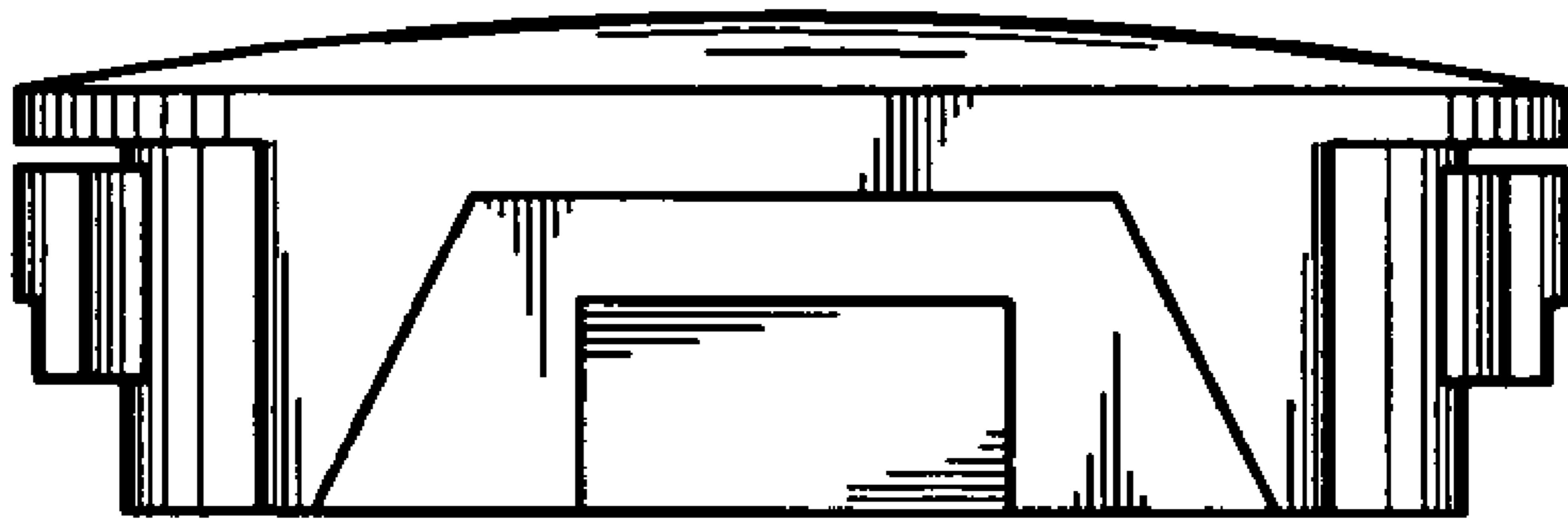


FIG. 7