



US00D640166S

(12) **United States Design Patent**  
**Bigbee**

(10) **Patent No.:** **US D640,166 S**

(45) **Date of Patent:** **\*\* Jun. 21, 2011**

(54) **CLASS C TRAILER HITCH FLAG HOLDER**

*Primary Examiner* — Karen S Acker

(76) Inventor: **Darren Bigbee**, Jupiter, FL (US)

(74) *Attorney, Agent, or Firm* — McHale & Slavin, P.A.

(\*\*) Term: **14 Years**

(57) **CLAIM**

(21) Appl. No.: **29/376,019**

The ornamental design for a class C trailer hitch flag holder, as shown and described.

(22) Filed: **Sep. 30, 2010**

**DESCRIPTION**

(51) **LOC (9) Cl.** ..... **11-05**

(52) **U.S. Cl.** ..... **D11/182**

(58) **Field of Classification Search** ..... D11/165–183;  
D20/16, 17, 21, 28, 41–43; 40/218, 584,  
40/604, 606.01, 606.15, 607.01, 607.03,  
40/607.05; 116/173–175; 248/200, 218.4,  
248/511, 514, 518–521, 534–539

See application file for complete search history.

FIG. 1 is a perspective view of the class C trailer hitch flag holder of the instant invention;  
FIG. 2 is a left side view thereof;  
FIG. 3 is a right side view thereof;  
FIG. 4 is a front view thereof;  
FIG. 5 is a rear view thereof;  
FIG. 6 is an enlarged top view thereof;  
FIG. 7 is an enlarged bottom view thereof;  
FIG. 8 is a perspective view of the lower portion of the class C trailer hitch flag holder of FIG. 1 shown in an unassembled position;  
FIG. 9 is a perspective view of the upper portion of the design of FIG. 1 shown in an unassembled position;  
FIG. 10 is a perspective view of the inner flag clasp of the design of FIG. 1 shown unassembled from the upper portion;  
and,  
FIG. 11 is an enlarged top view of the assembled upper portion of the class C trailer hitch flag holder shown in FIGS. 9 and 10.

(56) **References Cited**

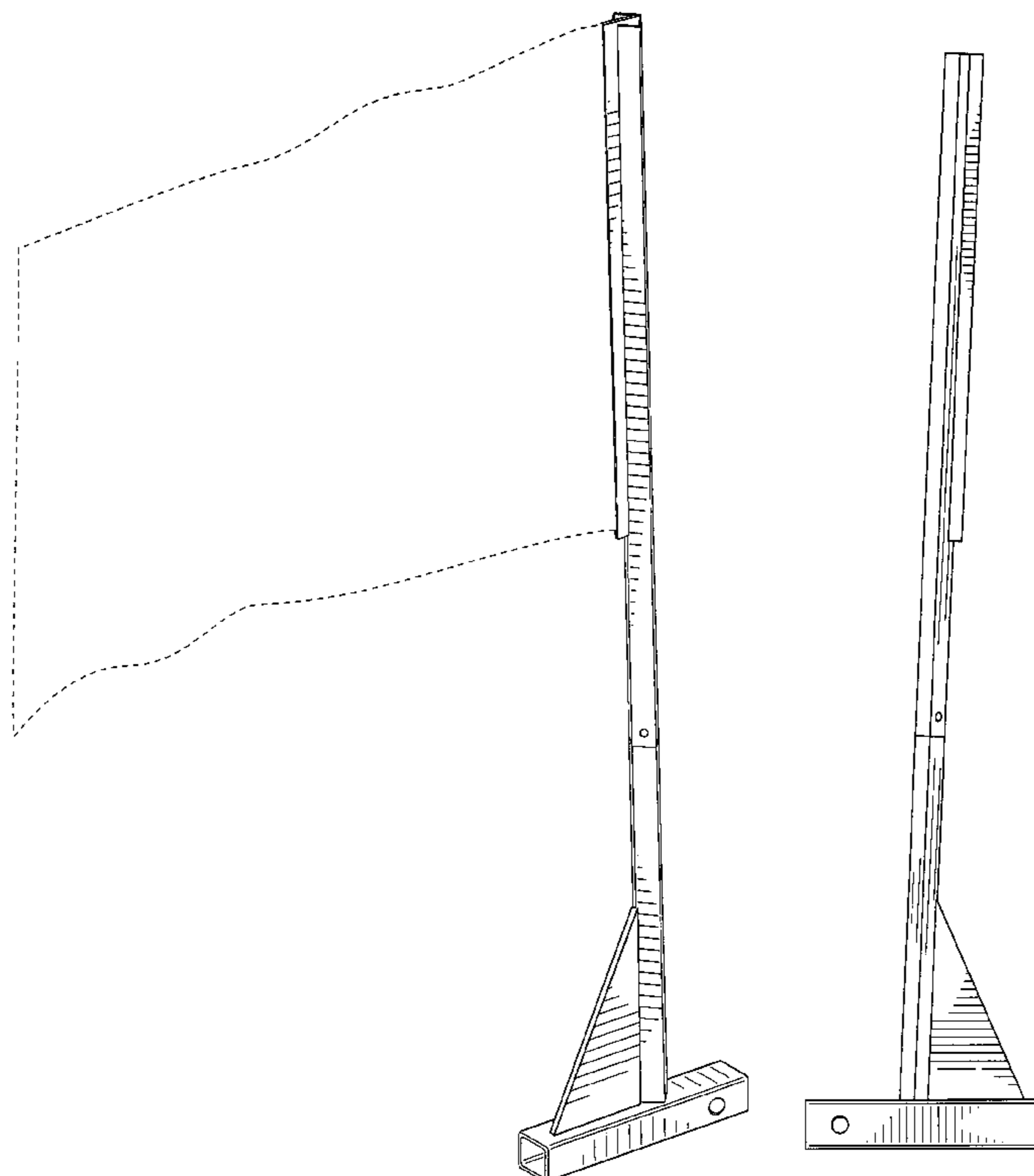
**U.S. PATENT DOCUMENTS**

1,747,278	A *	2/1930	Zawyruchia	.....	116/173
D325,890	S *	5/1992	Doublet	.....	D11/181
5,558,352	A *	9/1996	Mills	.....	280/477
D421,238	S *	2/2000	Dinsky	.....	D11/182
D470,189	S *	2/2003	Nguyen	.....	D20/41
D558,274	S *	12/2007	Geeves	.....	D20/41
7,503,135	B2 *	3/2009	Chafin	.....	40/591
D594,777	S *	6/2009	Oakley	.....	D11/182
D612,774	S *	3/2010	Gordon	.....	D12/162
2003/0071185	A1 *	4/2003	Casapulla	.....	248/534
2003/0094473	A1 *	5/2003	Moore	.....	224/519
2006/0053667	A1 *	3/2006	Andersen	.....	40/591
2006/0156600	A1 *	7/2006	Barker	.....	40/591

\* cited by examiner

The broken lines shown in the figures represent unclaimed environmental subject matter and form no part of the claimed design.

**1 Claim, 7 Drawing Sheets**



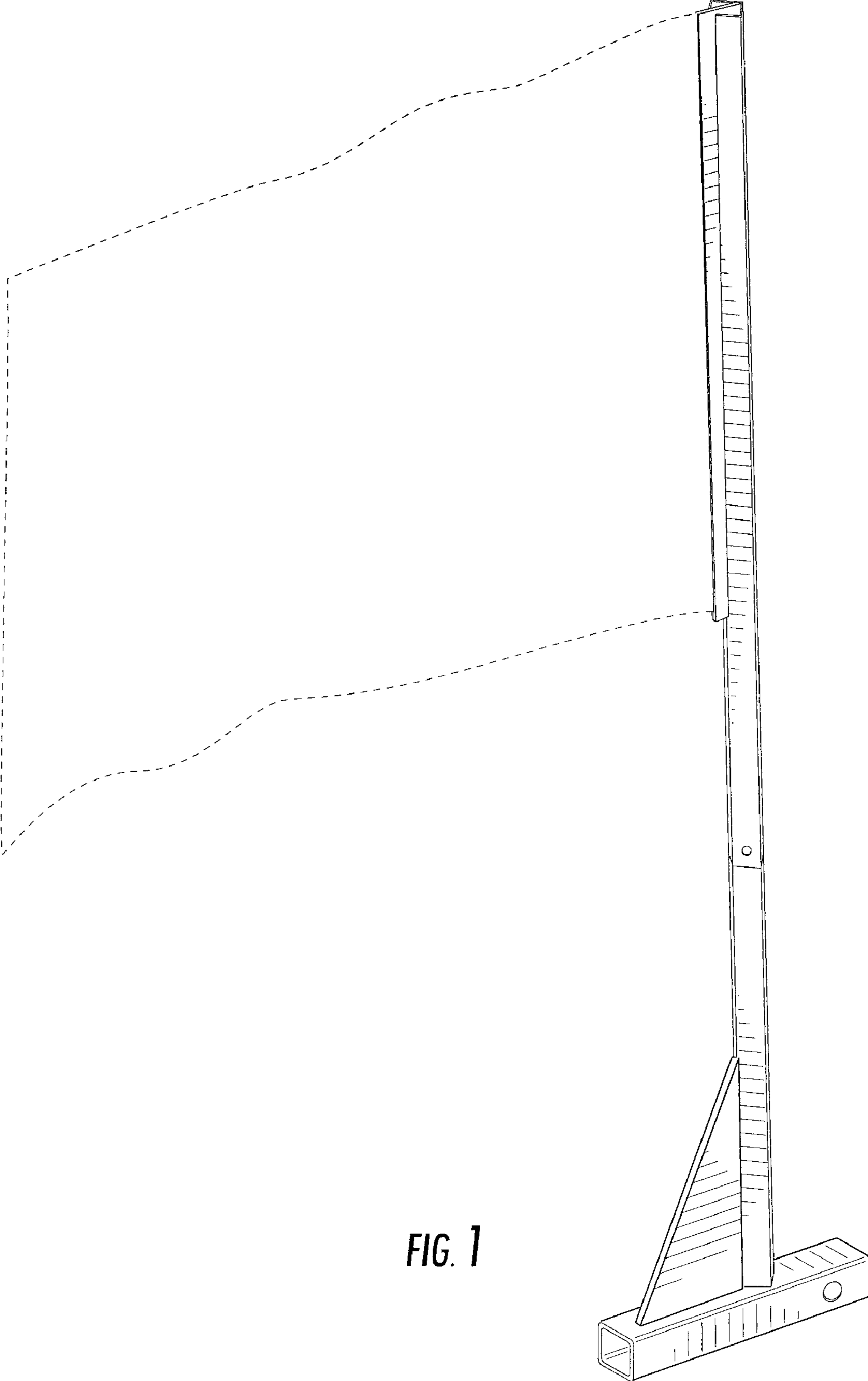


FIG. 1

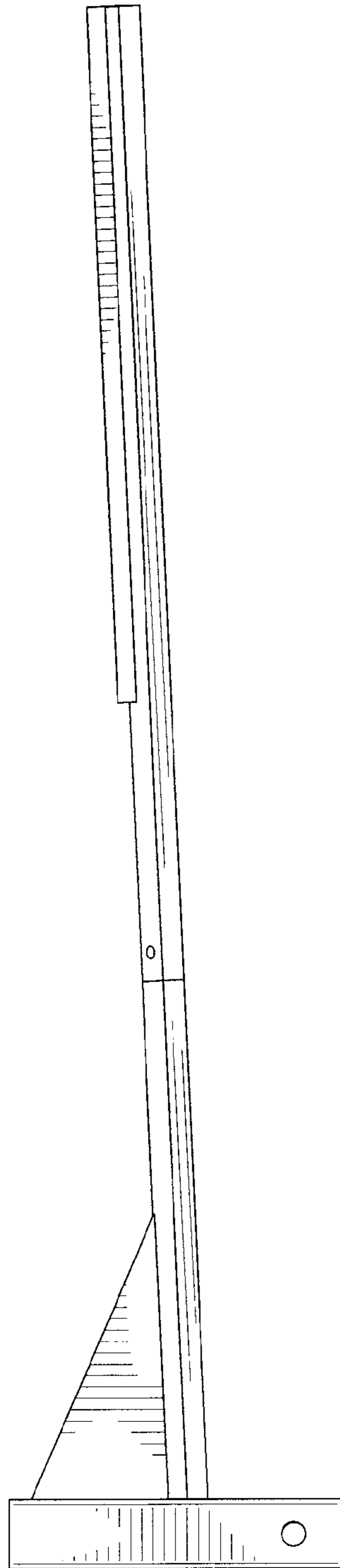


FIG. 2

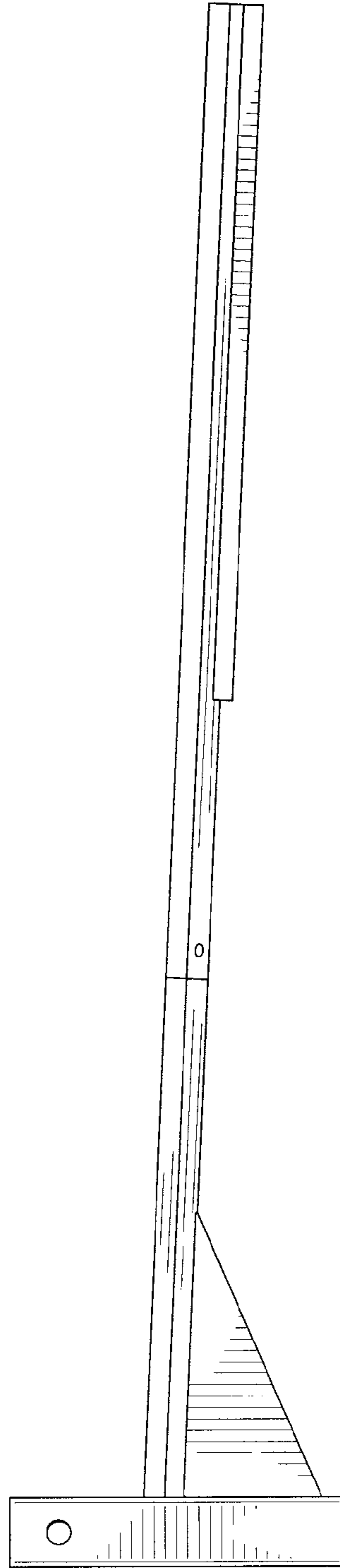


FIG. 3

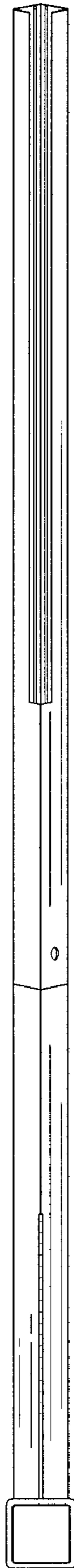


FIG. 4

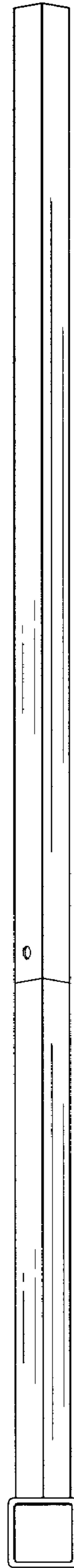


FIG. 5

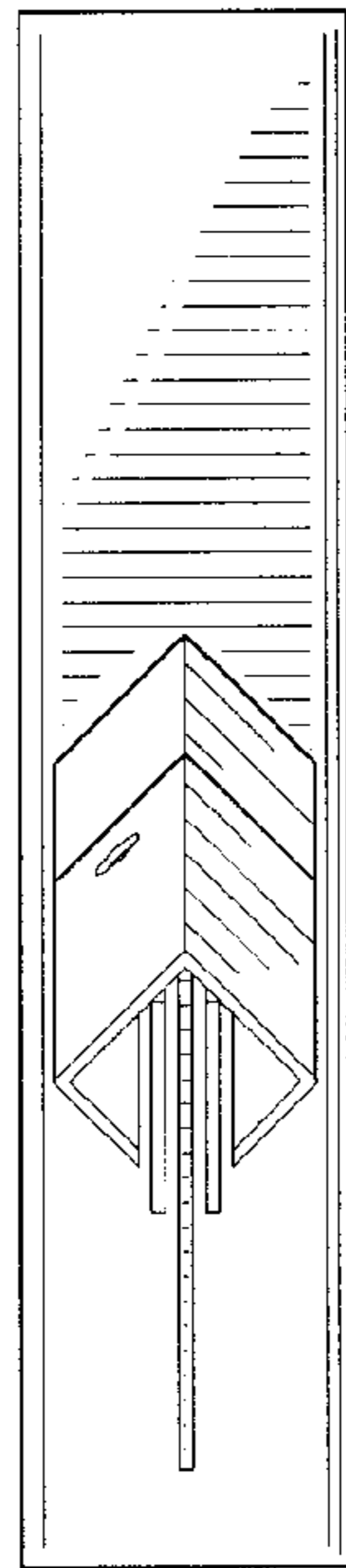


FIG. 6

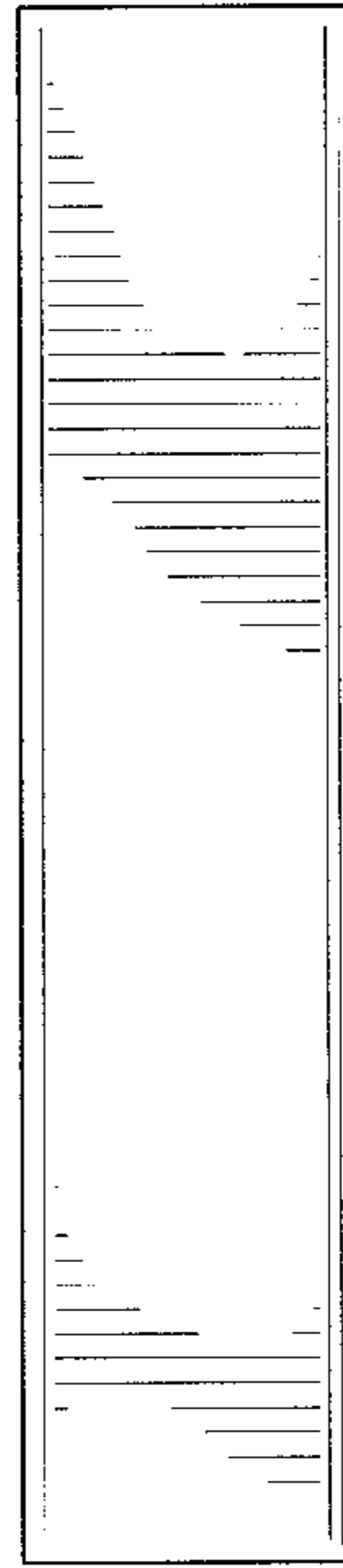


FIG. 7

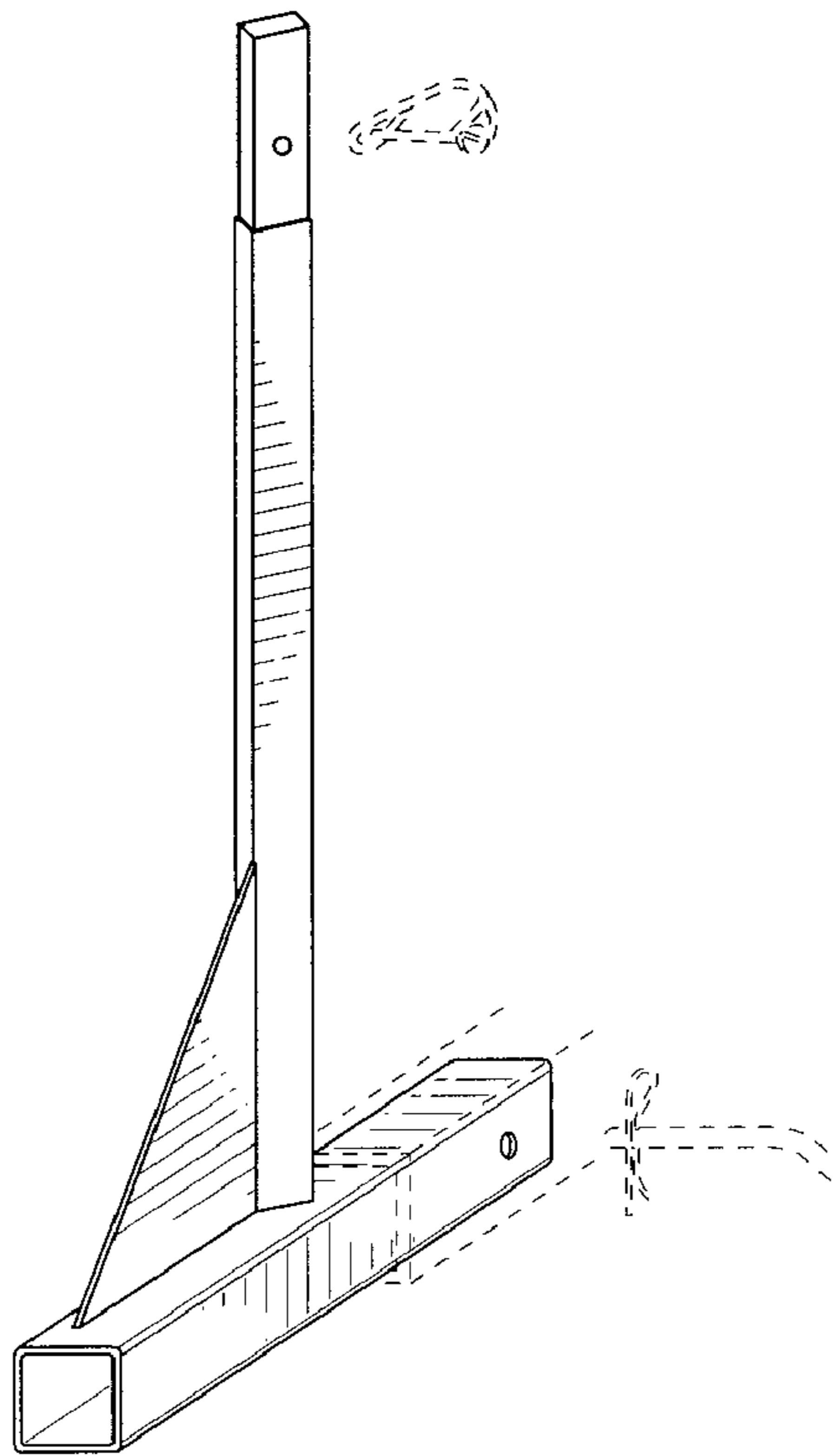
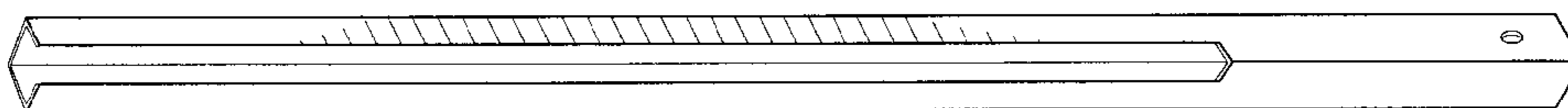
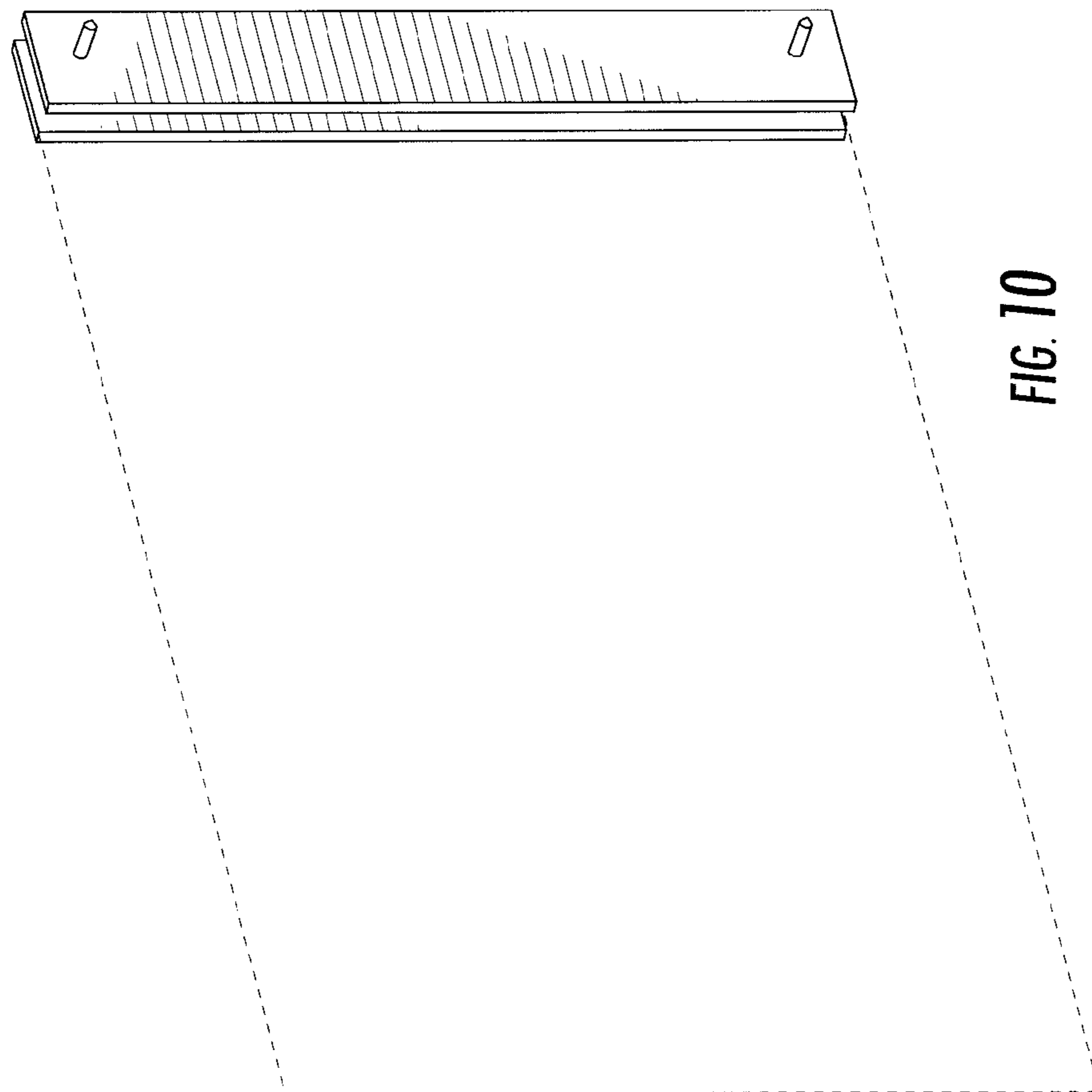


FIG. 8



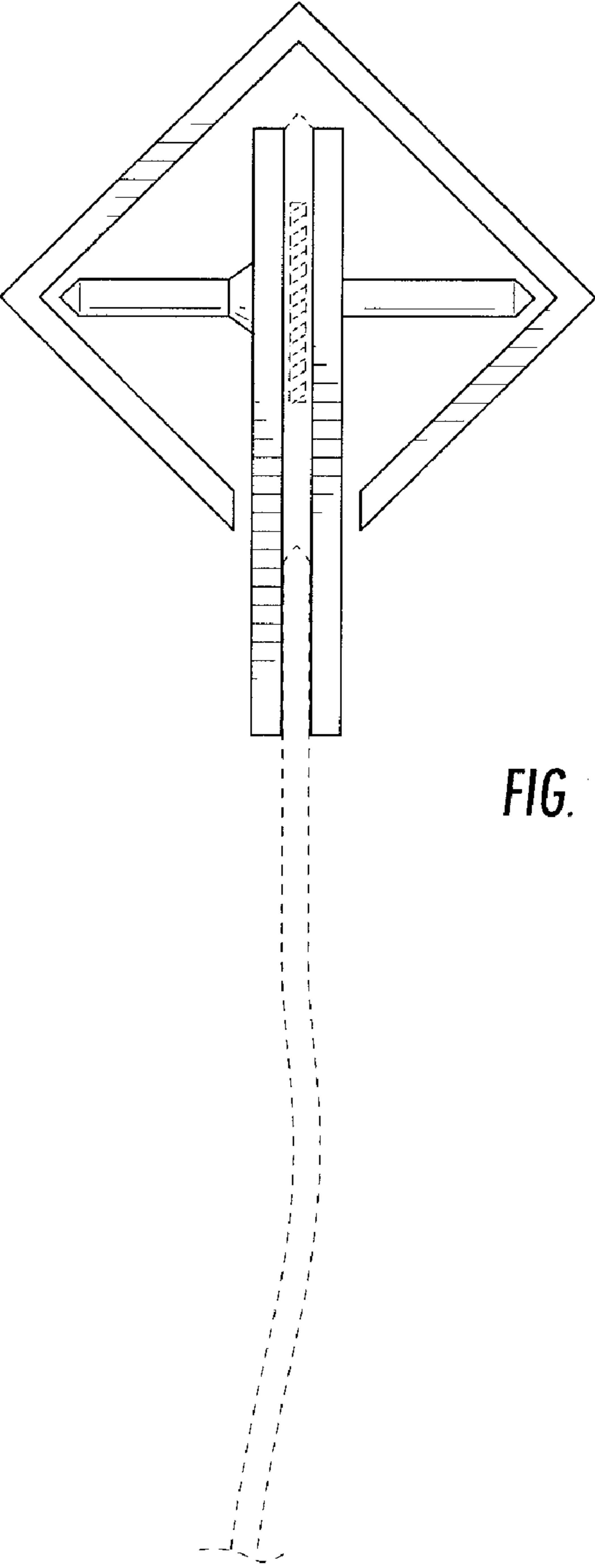


FIG. 11