



US00D640162S

(12) **United States Design Patent**
Hashimoto

(10) **Patent No.:** **US D640,162 S**
(45) **Date of Patent:** **** Jun. 21, 2011**

(54) **CASE FOR HOLDING DECORATIVE ARTICLE**

D363,509 S * 10/1995 Parekh et al. D19/77
D533,108 S * 12/2006 Nass D11/155
D624,846 S * 10/2010 Schick D11/156

(75) Inventor: **Masaki Hashimoto**, Ibaraki (JP)

FOREIGN PATENT DOCUMENTS

(73) Assignee: **Suntory Holdings Limited**, Osaka (JP)

JP D1293815 2/2007
JP D1315279 11/2007
JP D1362961 6/2009
JP D1362963 6/2009

(**) Term: **14 Years**

* cited by examiner

(21) Appl. No.: **29/366,624**

Primary Examiner — Garth Rademaker

(22) Filed: **Jul. 28, 2010**

(74) *Attorney, Agent, or Firm* — Greenblum & Bernstein P.L.C.

(30) **Foreign Application Priority Data**

Feb. 2, 2010 (JP) 2010-002370

(57) **CLAIM**

The ornamental design for a case for holding decorative article, as shown and described.

(51) **LOC (9) Cl.** **11-02**

DESCRIPTION

(52) **U.S. Cl.** **D11/143; D6/558; D11/156**

(58) **Field of Classification Search** D6/403–405,
D6/556–558; D8/1; D11/143–156, 164;
D19/77, 80, 81, 84; D25/100; D26/9–11,
D26/16, 19; D34/1, 2, 4–6; D99/5, 19; 47/17,
47/32.4, 32.5, 32.7, 33, 39, 41.01, 41.1, 41.11–41.15,
47/44–47, 65, 65.5, 65.9, 66.1, 66.2, 66.6,
47/66.7, 67–71

FIG. 1 is a front elevation view of a case for holding decorative article showing my new design;
FIG. 2 is a rear elevation view thereof;
FIG. 3 is a right side elevation view thereof, the left side elevation view being a mirror image thereof;
FIG. 4 is a top plan view thereof;
FIG. 5 is a bottom plan view thereof;
FIG. 6 is a perspective view thereof;
FIG. 7 is a perspective view thereof, shown in an open position;
FIG. 8 is a perspective view thereof, shown in an open position and in an environment of use; and,
FIG. 9 is a front elevation view thereof, shown in an environment of use and at a reduced scale.

See application file for complete search history.

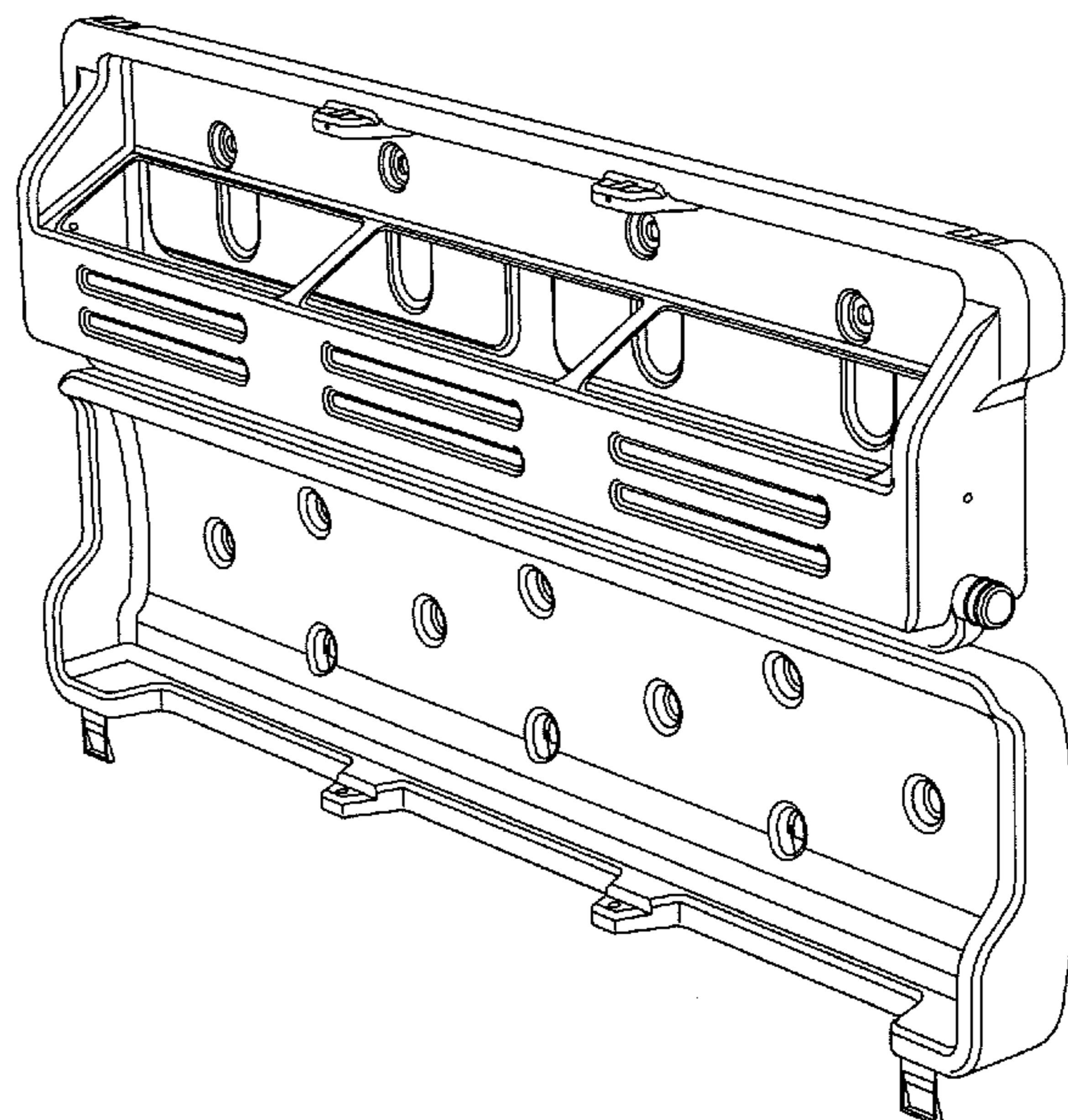
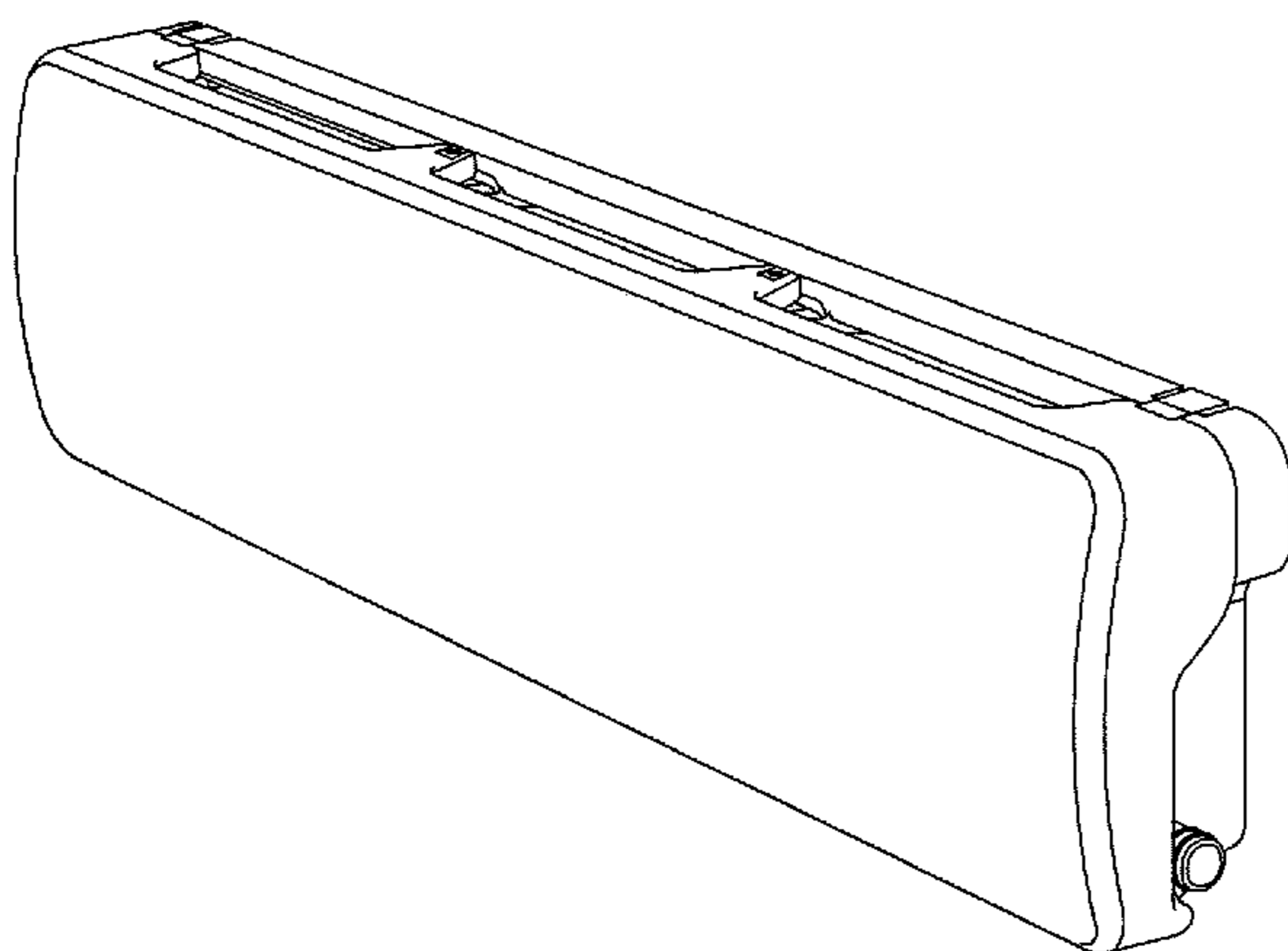
The broken lines shown in FIG. 8 and FIG. 9 are environmental only and form no part of the claimed design.

(56) **References Cited**

U.S. PATENT DOCUMENTS

152,758 A * 7/1874 Mills D11/155
1,096,927 A * 5/1914 Kuhn D11/155
D122,888 S * 10/1940 Brand D11/164
D304,460 S * 11/1989 Holterscheidt D19/77
D357,034 S * 4/1995 King D19/77
D358,841 S * 5/1995 Ascone D19/77

1 Claim, 9 Drawing Sheets



F i g . 1

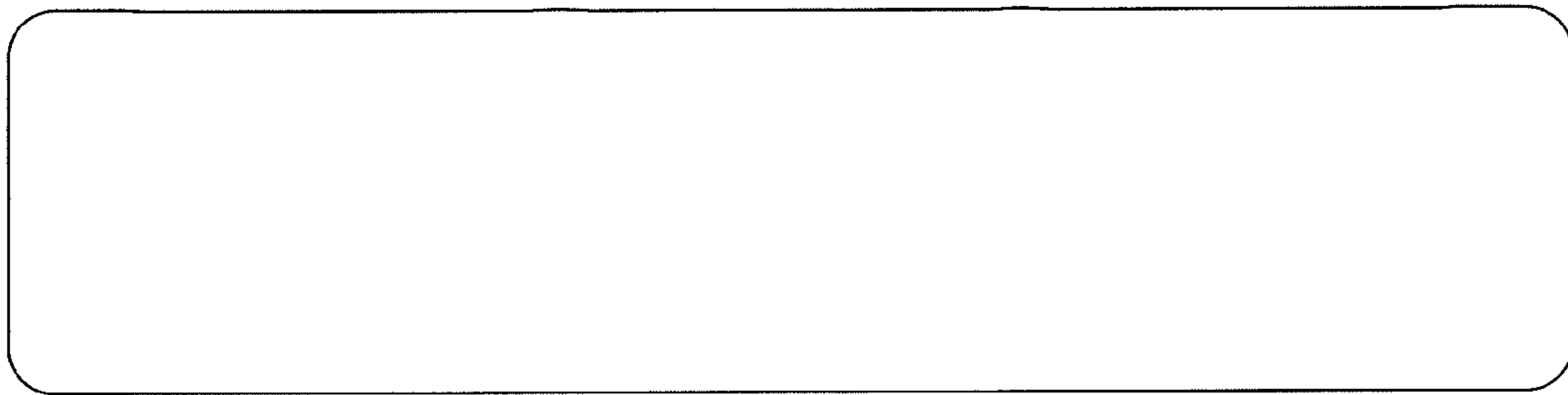
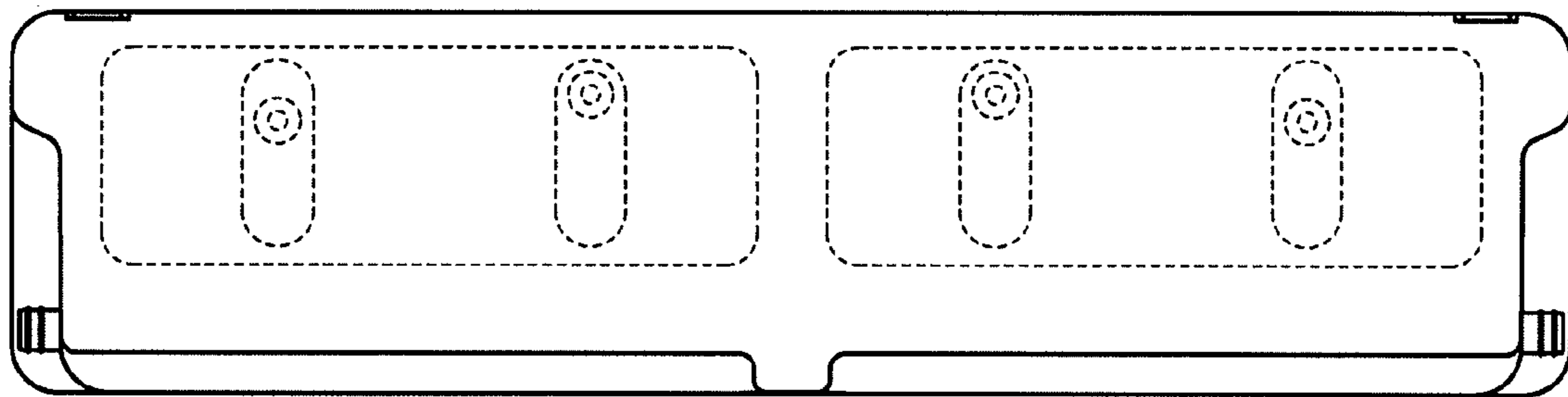
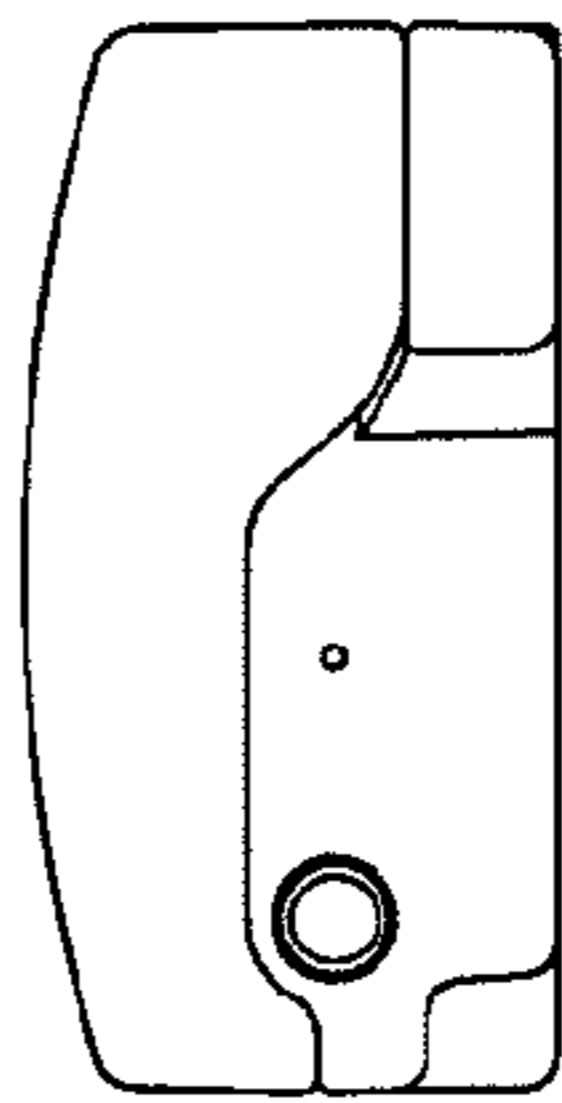


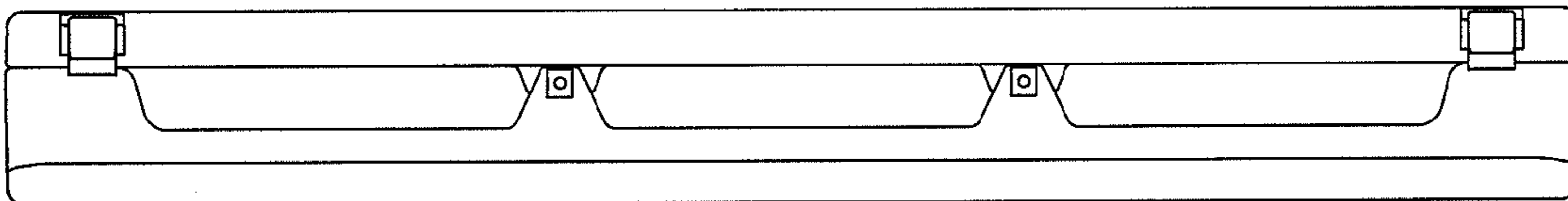
Fig. 2



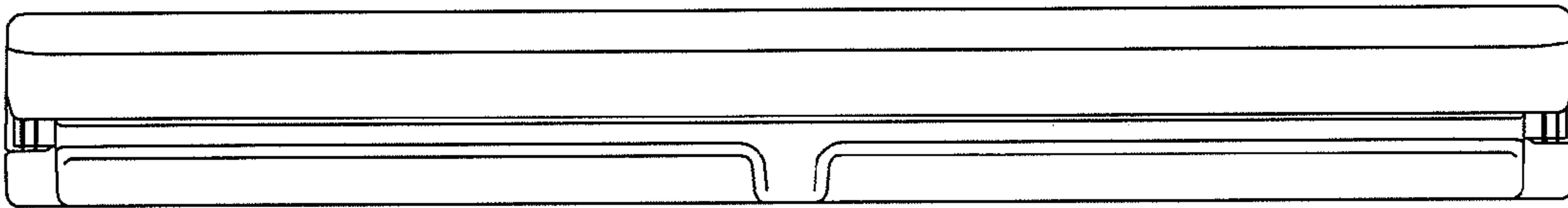
F i g . 3



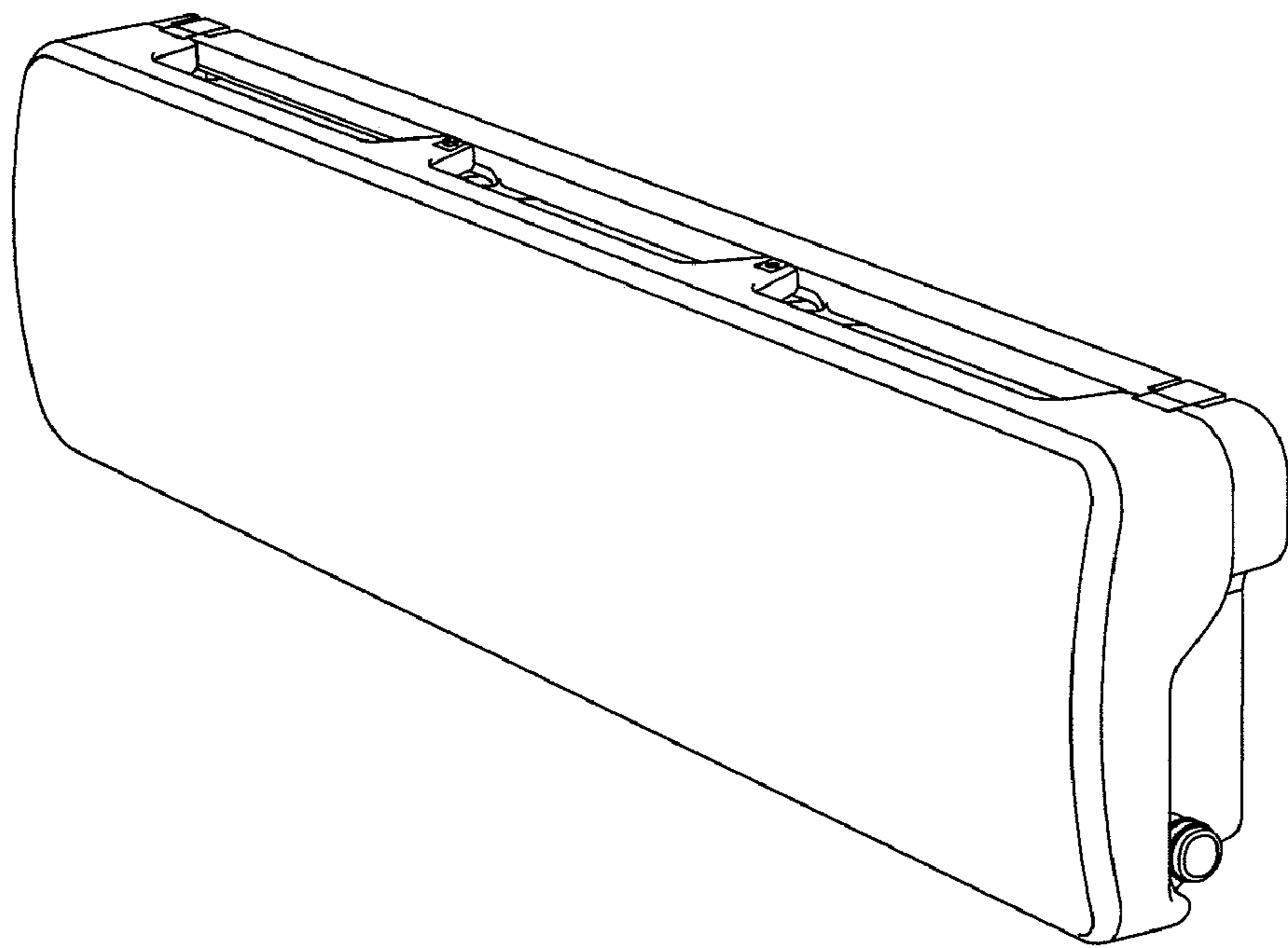
F i g . 4



F i g . 5



F i g . 6



F i g . 7

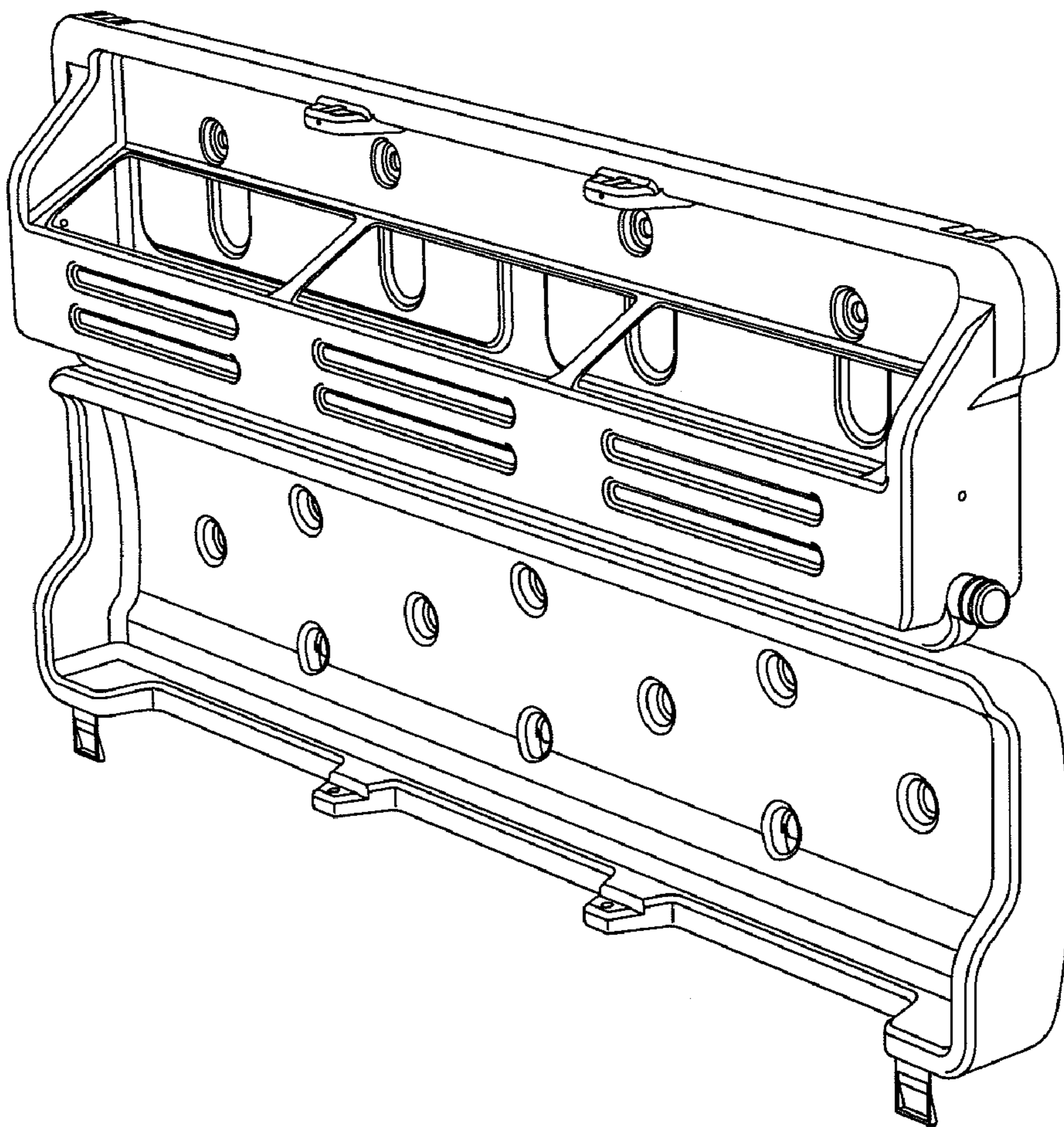


Fig. 8

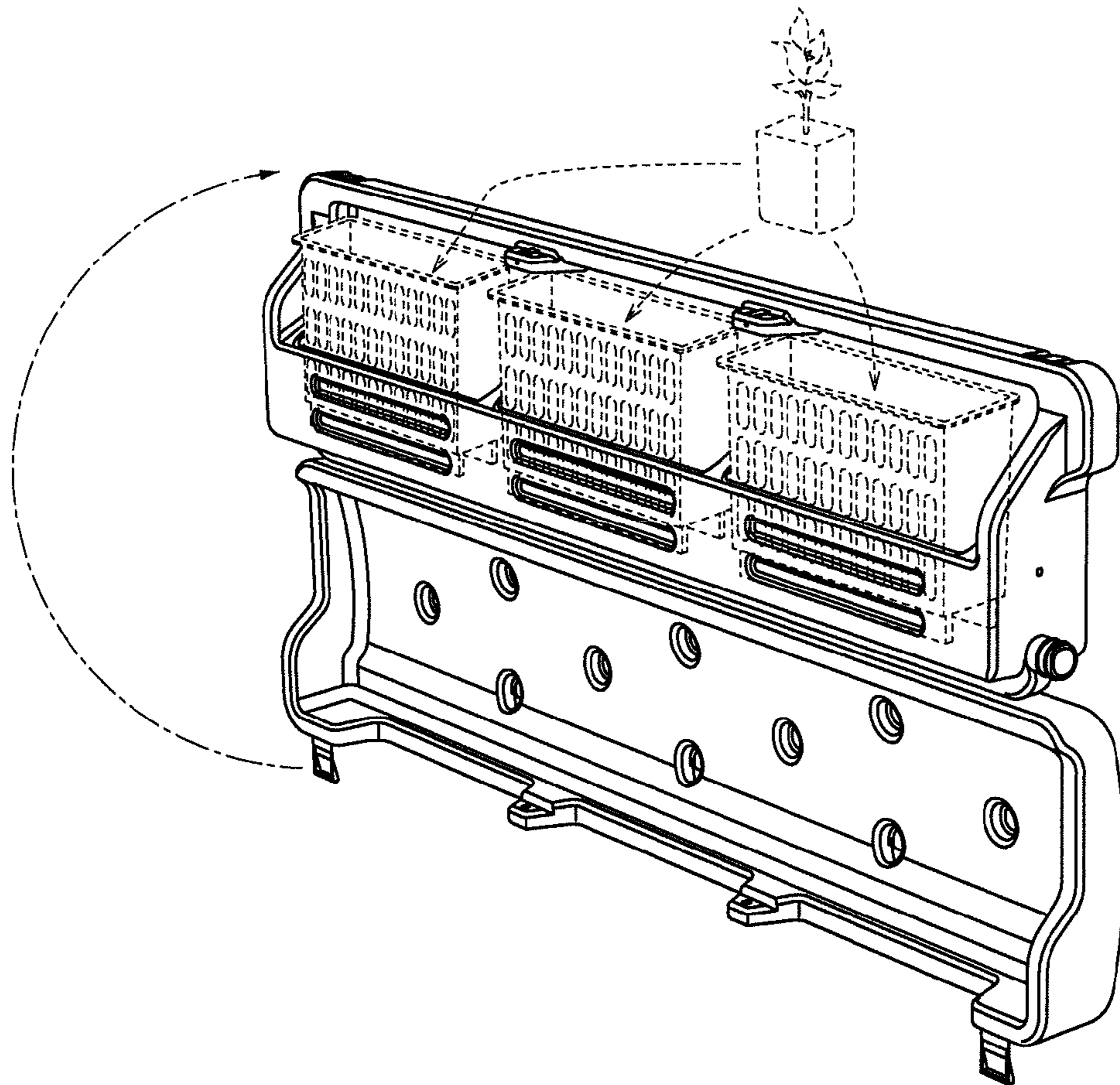


Fig. 9

