



US00D640156S

(12) **United States Design Patent**  
**Chan**

(10) **Patent No.:** **US D640,156 S**  
(45) **Date of Patent:** **\*\* Jun. 21, 2011**

(54) **WATCHSTRAP**

(75) **Inventor:** **Sik Yuen Chan**, Kowloon Bay (HK)

(73) **Assignee:** **JC Power Limited**, Kowloon Bay (HK)

(\*\*) **Term:** **14 Years**

(21) **Appl. No.:** **29/364,894**

(22) **Filed:** **Jun. 30, 2010**

(51) **LOC (9) Cl.** ..... **11-01**

(52) **U.S. Cl.** ..... **D11/3**

(58) **Field of Classification Search** ..... D11/1,  
D11/4, 5, 6, 11, 12, 15, 17, 21, 22, 25, 93,  
D11/94, 192, 3, 86; D10/32; D3/207; 63/11,  
63/7, 3.1, 3.2, 4, 5.1, 5.2; 362/104, 571;  
40/633; D14/356; D29/120.1

See application file for complete search history.

(56) **References Cited**

**U.S. PATENT DOCUMENTS**

1,543,399	A *	6/1925	Smith	.....	224/176
D255,016	S *	5/1980	Hofman	.....	D11/3
D257,335	S *	10/1980	Hofman	.....	D11/3
D341,791	S *	11/1993	Bowlby	.....	D11/3
D435,460	S *	12/2000	Cebe et al.	.....	D10/31

D439,861	S *	4/2001	Dumas	.....	D11/3
D443,844	S *	6/2001	Versace	.....	D11/3
6,782,648	B1 *	8/2004	Mosher, Jr.	.....	40/633
D495,611	S *	9/2004	Jørgensen	.....	D10/32
D550,112	S *	9/2007	Andren et al.	.....	D11/3
D551,584	S *	9/2007	Highfill	.....	D11/3
D553,536	S *	10/2007	Andren et al.	.....	D11/3
D555,028	S *	11/2007	Highfill	.....	D11/3
D556,194	S *	11/2007	Rambosek et al.	.....	D14/480.3
D564,367	S *	3/2008	Molyneux	.....	D10/31
D581,826	S *	12/2008	Molyneux	.....	D11/2

\* cited by examiner

*Primary Examiner* — Austin Murphy

(74) *Attorney, Agent, or Firm* — Kevin J. McNeely;  
McNeely Hare & War LLP

(57) **CLAIM**

The ornamental design for watchstrap, as shown and described.

**DESCRIPTION**

FIG. 1 is a top plan view of a watchstrap showing my new design;

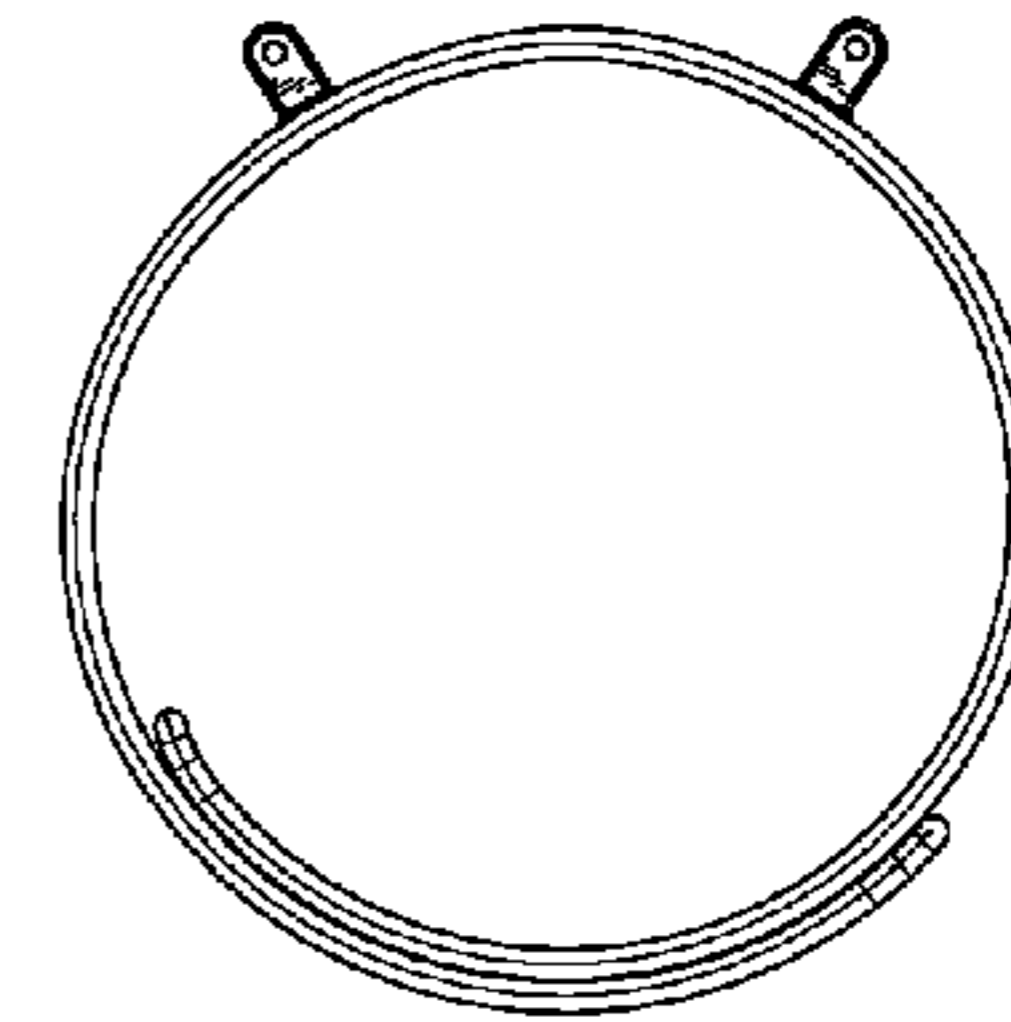
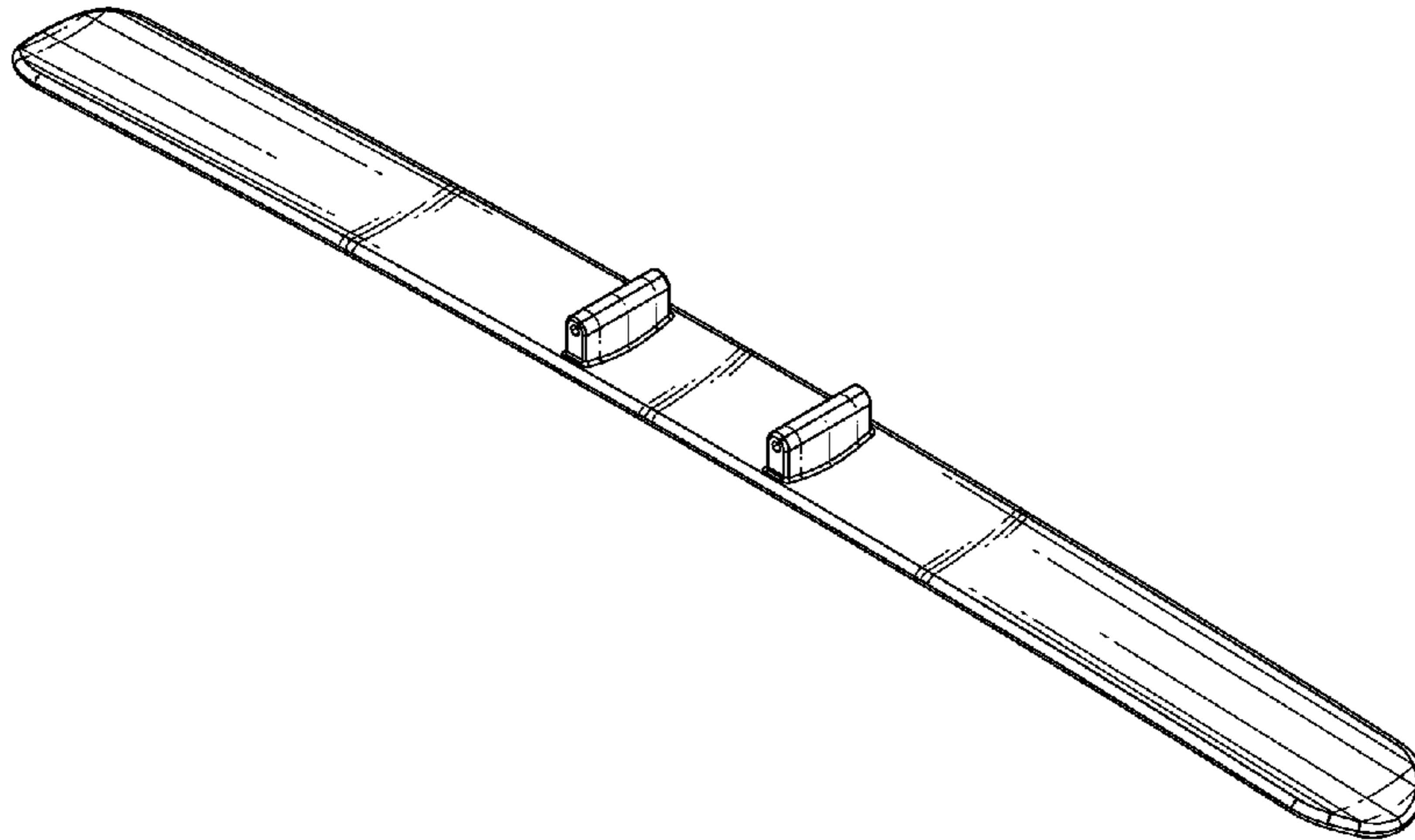
FIG. 2 is a bottom plan view thereof;

FIG. 3 is a front view thereof;

FIG. 4 is a perspective view thereof; and,

FIG. 5 is a front view in the closed position.

**1 Claim, 2 Drawing Sheets**



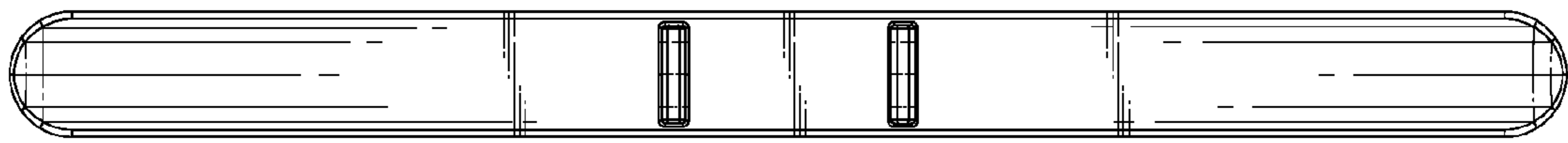


Fig. 1

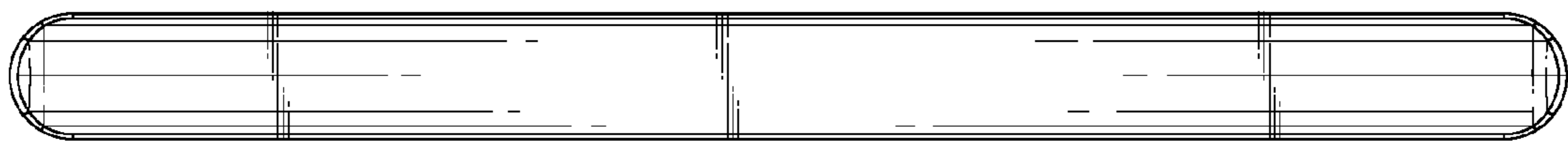


Fig. 2

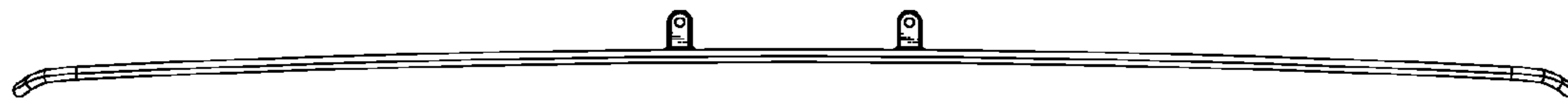


Fig. 3

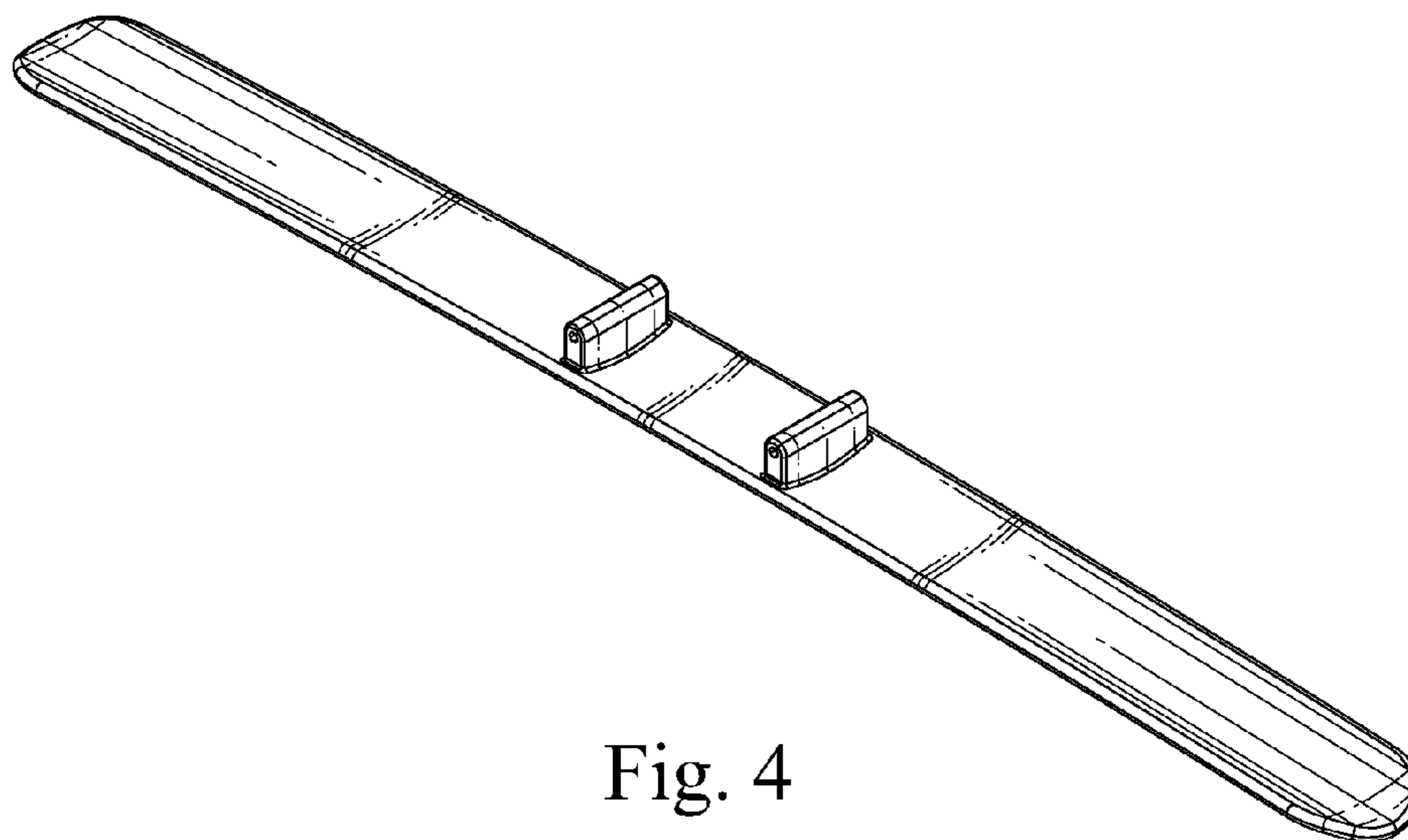


Fig. 4

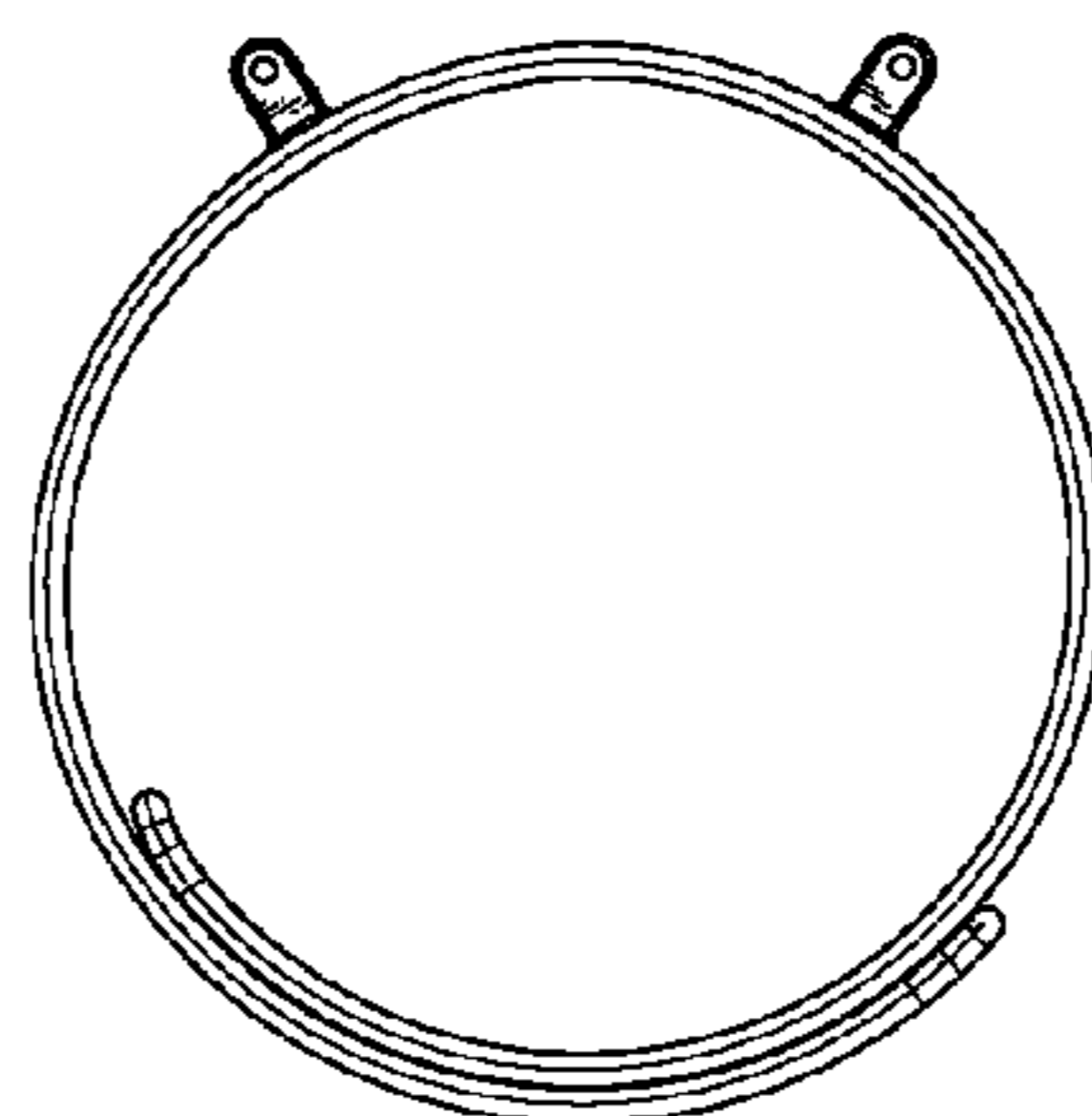


Fig. 5