



US00D640154S

(12) **United States Design Patent**  
**Okitsu et al.**

(10) **Patent No.:** **US D640,154 S**

(45) **Date of Patent:** **\*\* Jun. 21, 2011**

(54) **PRESSURE REGULATOR**

(75) Inventors: **Masayuki Okitsu**, Tsukubamirai (JP);  
**Naoki Iguma**, Tsukubamirai (JP); **Kenji Tsukamoto**, Tsukubamirai (JP)

(73) Assignee: **SMC Corporation**, Chiyoda-ku, Tokyo (JP)

(\*\*) Term: **14 Years**

(21) Appl. No.: **29/369,970**

(22) Filed: **Sep. 15, 2010**

(30) **Foreign Application Priority Data**

Jun. 23, 2010 (JP) ..... 2010-015428

(51) **LOC (9) Cl.** ..... **10-04**

(52) **U.S. Cl.** ..... **D10/85**

(58) **Field of Classification Search** ..... D10/85;  
91/394, 395, 407, 408; 92/5 L, 15-17, 21 MR,  
92/28, 51, 52, 68, 88, 128, 137, 143, 169,  
92/177

See application file for complete search history.

(56) **References Cited**

**U.S. PATENT DOCUMENTS**

D444,722 S \* 7/2001 Honma ..... D10/85  
D444,723 S \* 7/2001 Honma ..... D10/85  
D471,829 S \* 3/2003 Dennis et al. .... D10/85

\* cited by examiner

*Primary Examiner* — Antoine D Davis

(74) *Attorney, Agent, or Firm* — Yokoi & Co., U.S.A., Inc.;  
Toshiyuki Yokoi

(57) **CLAIM**

The ornamental design for a pressure regulator, as shown and described.

**DESCRIPTION**

FIG. 1 shows a front view of a pressure regulator showing my new design;

FIG. 2 shows a rear view thereof;

FIG. 3 shows a right side view thereof;

FIG. 4 shows a left side view thereof;

FIG. 5 shows a top view thereof;

FIG. 6 shows a bottom view thereof;

FIG. 7 shows a top, front and right side perspective view thereof;

FIG. 8 shows a bottom, front and left side perspective view thereof;

FIG. 9 shows a partial cross-sectional view thereof, taken along line 9—9 in FIG. 6; and,

FIG. 10 shows a partial cross-sectional view thereof, taken along line 10—10 in FIG. 6.

The portions of the design shown in broken lines in FIGS. 1, 6, 7, 8, 9 and 10 are for the purpose of illustrating the environment only and form no part of the claimed design.

**1 Claim, 9 Drawing Sheets**

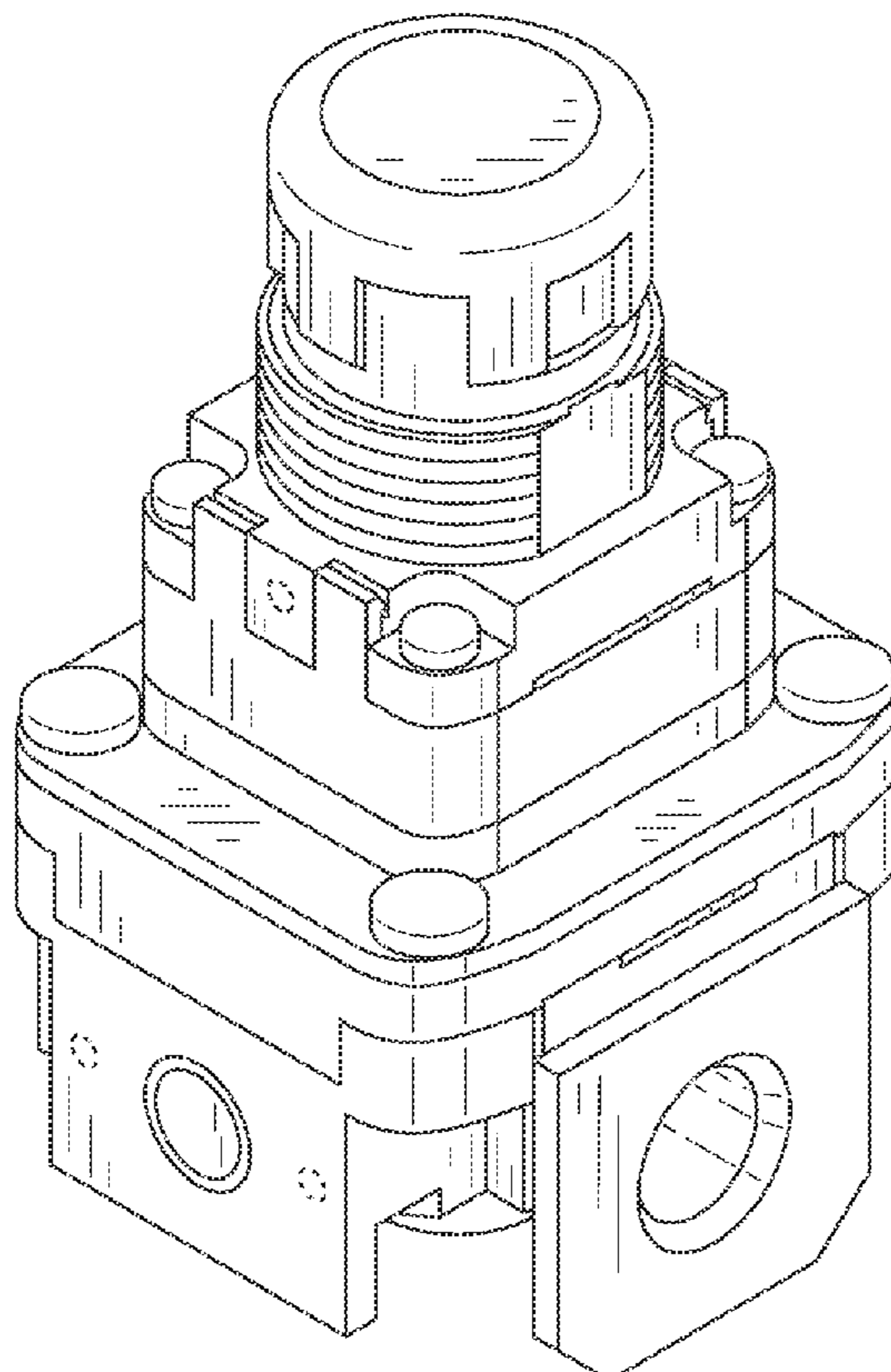


FIG. 1

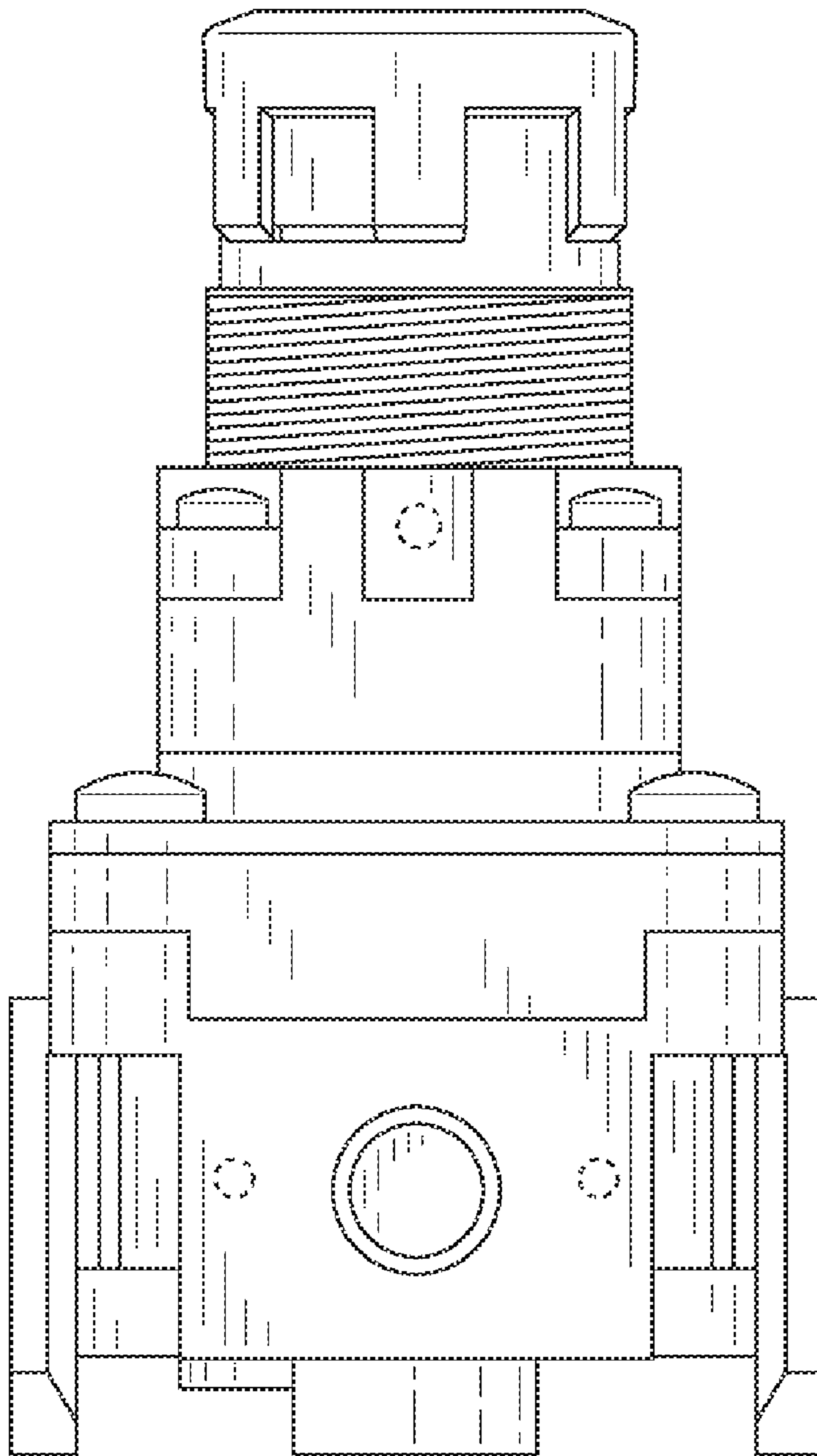


FIG. 2

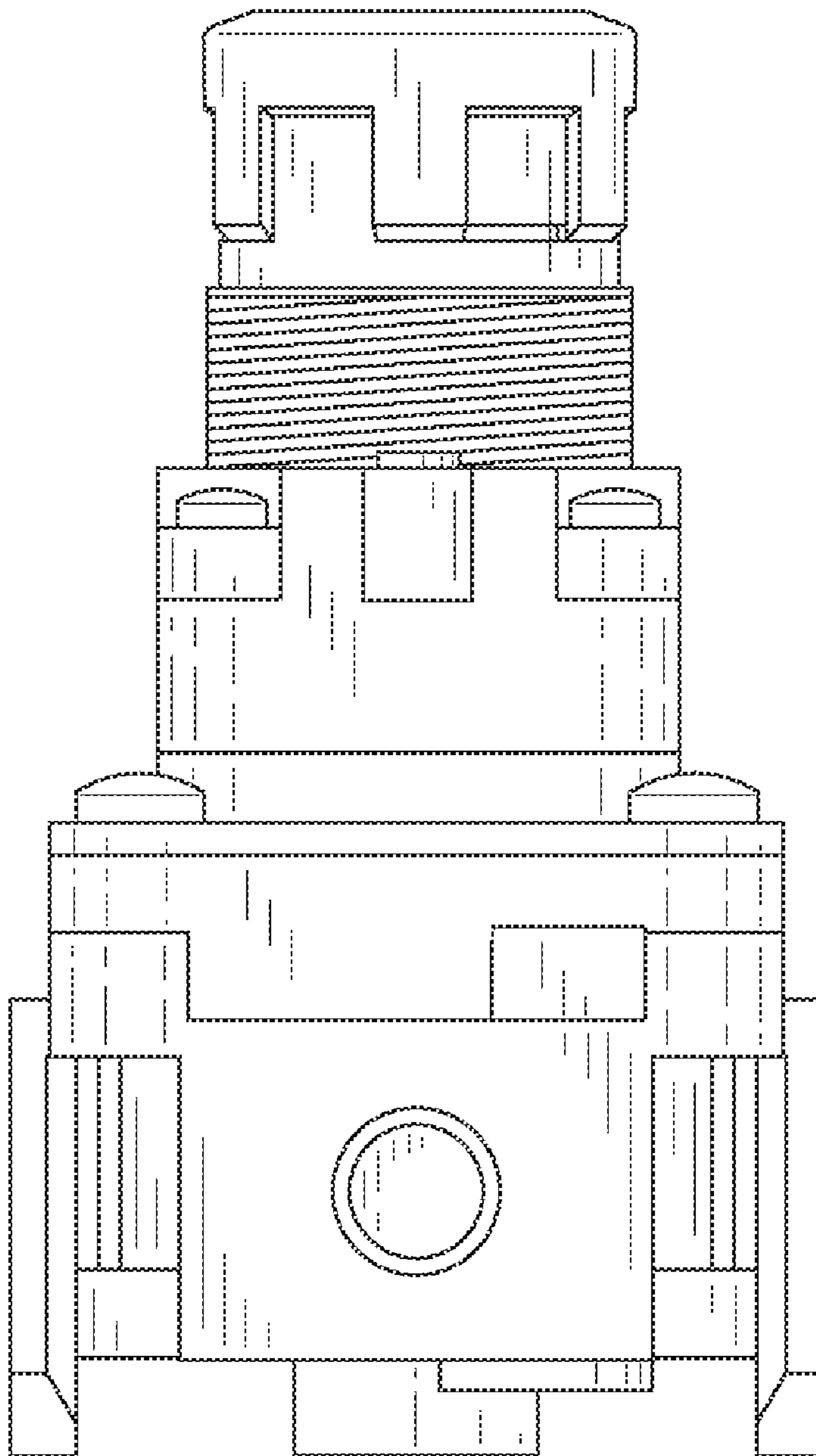


FIG. 3

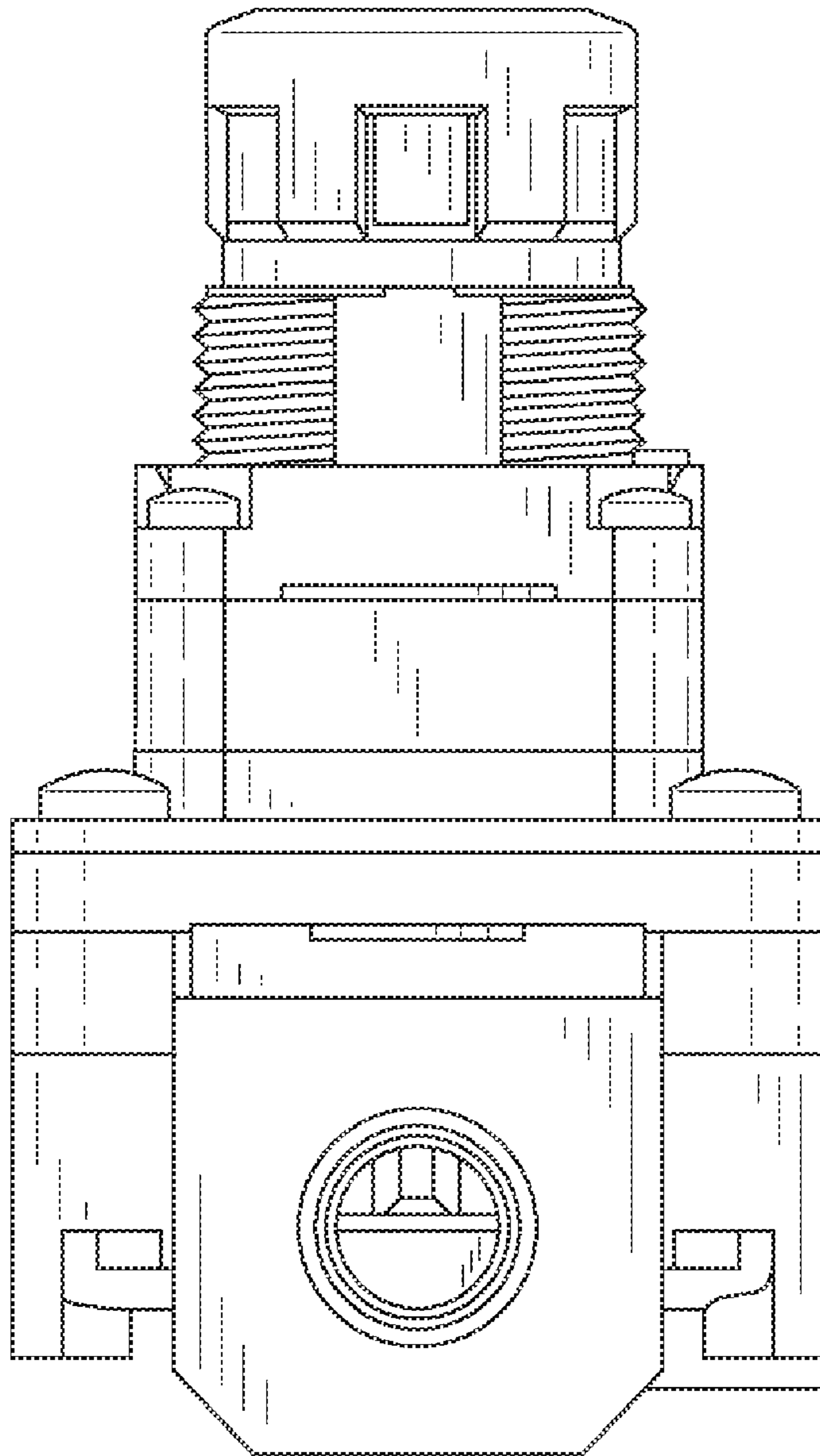


FIG. 4

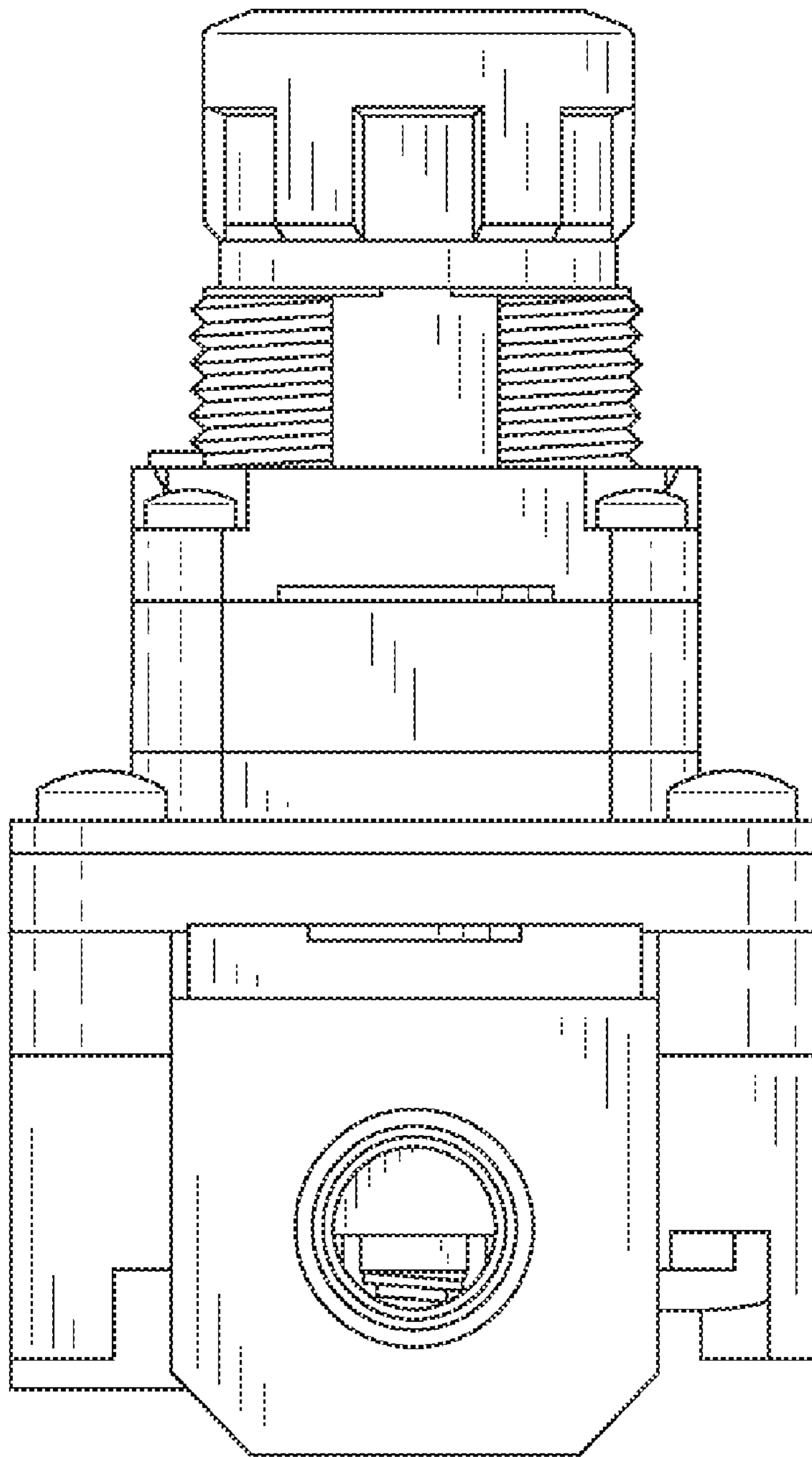


FIG. 5

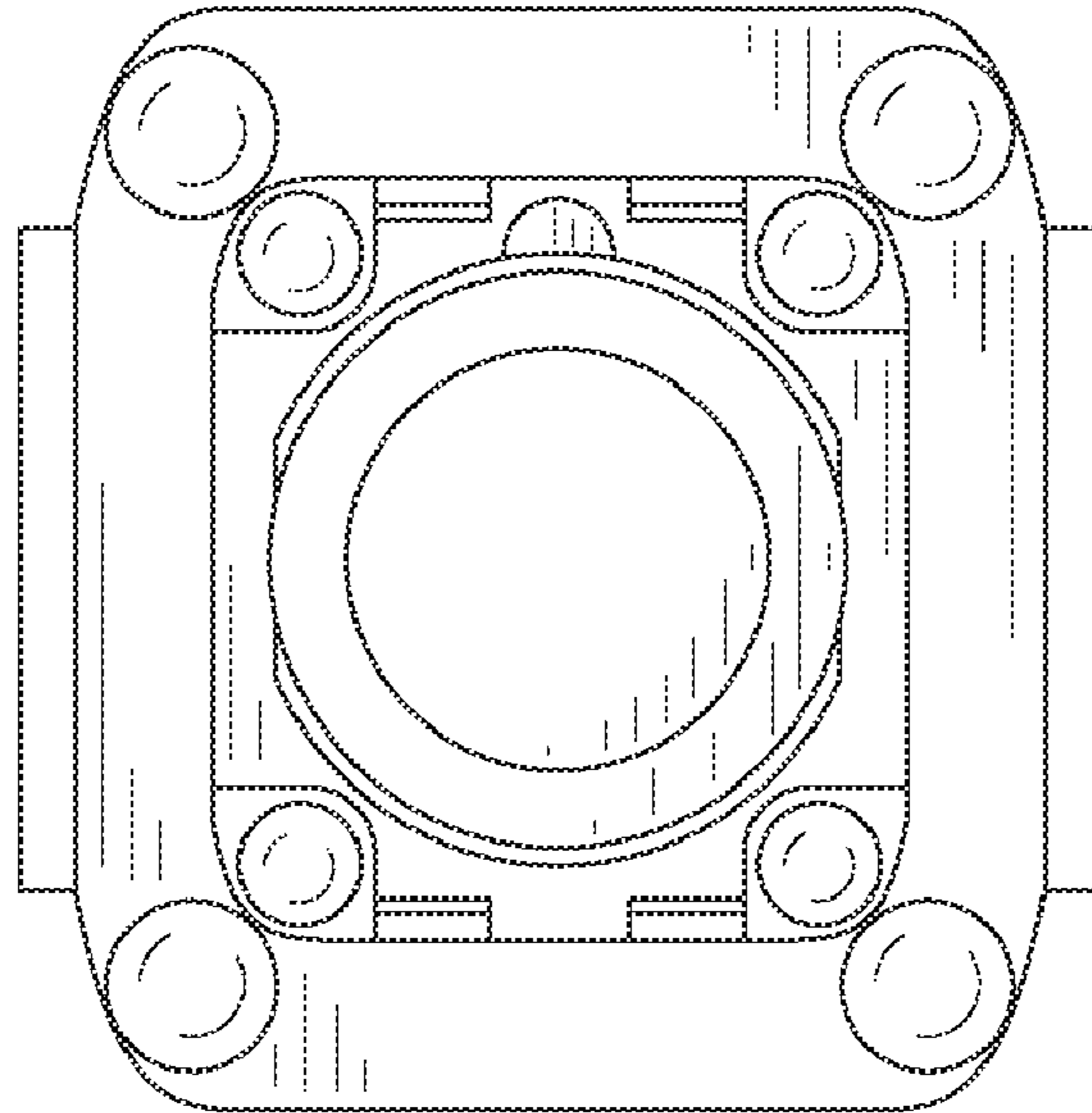


FIG. 6

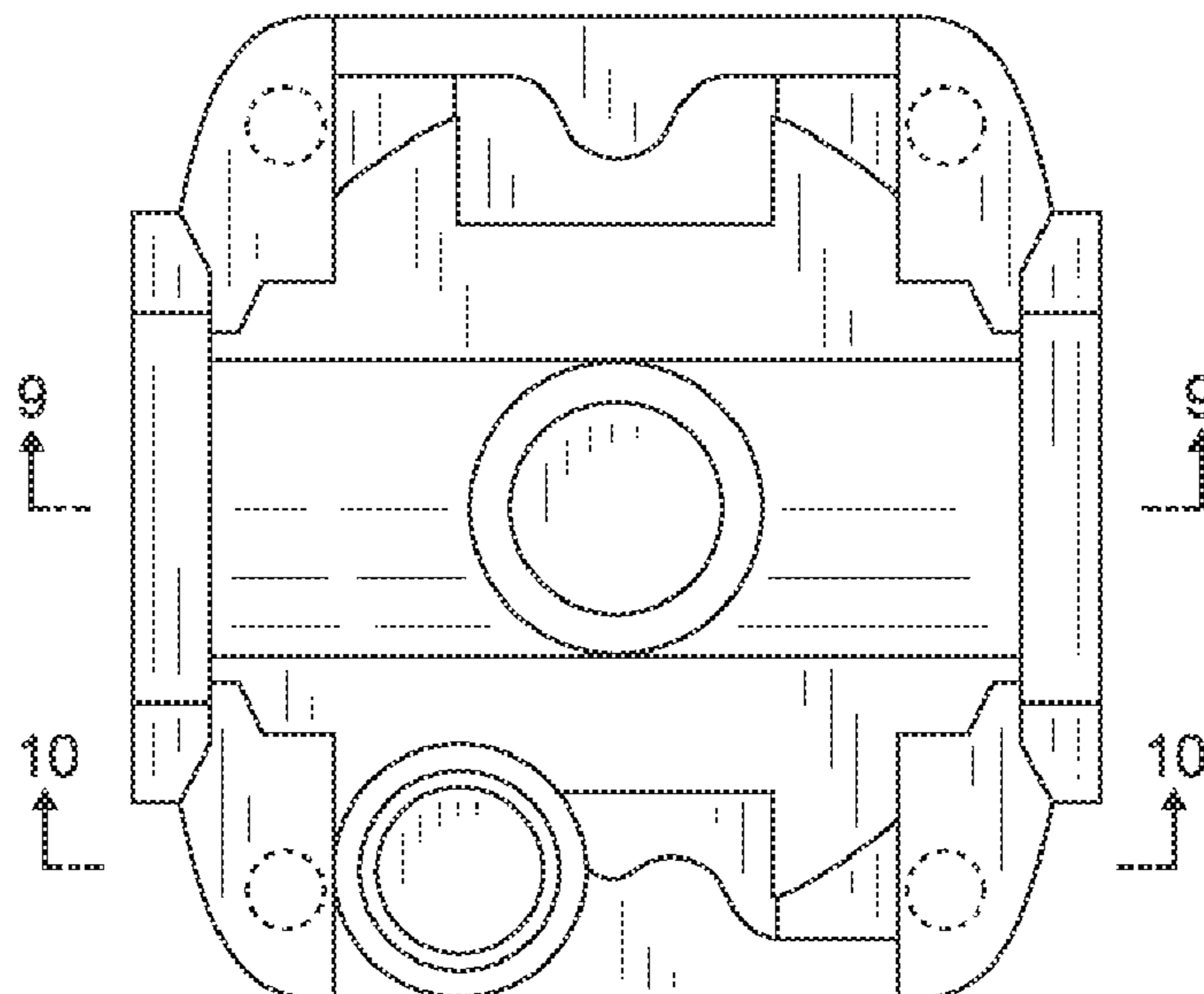


FIG. 7

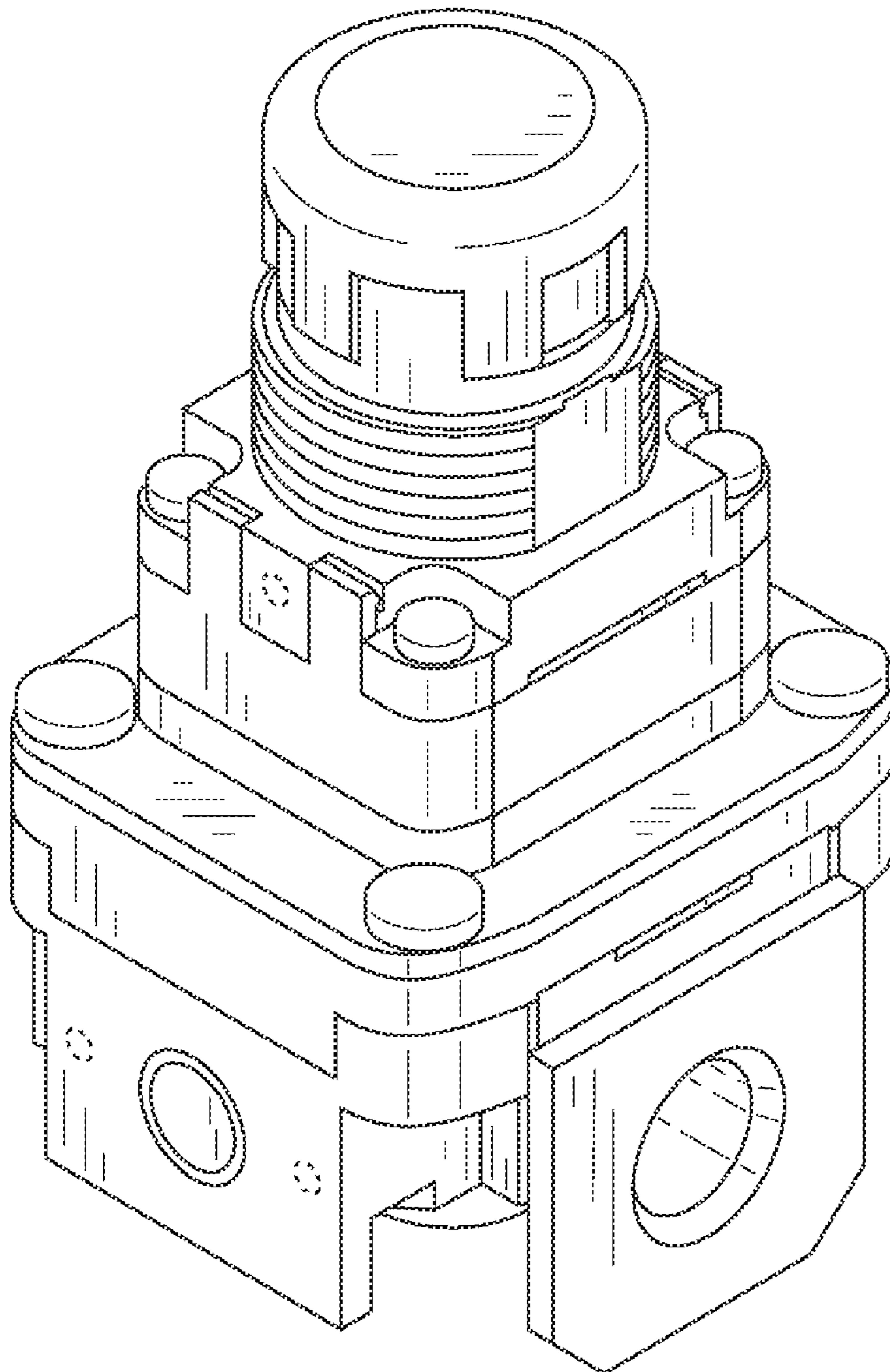


FIG. 8

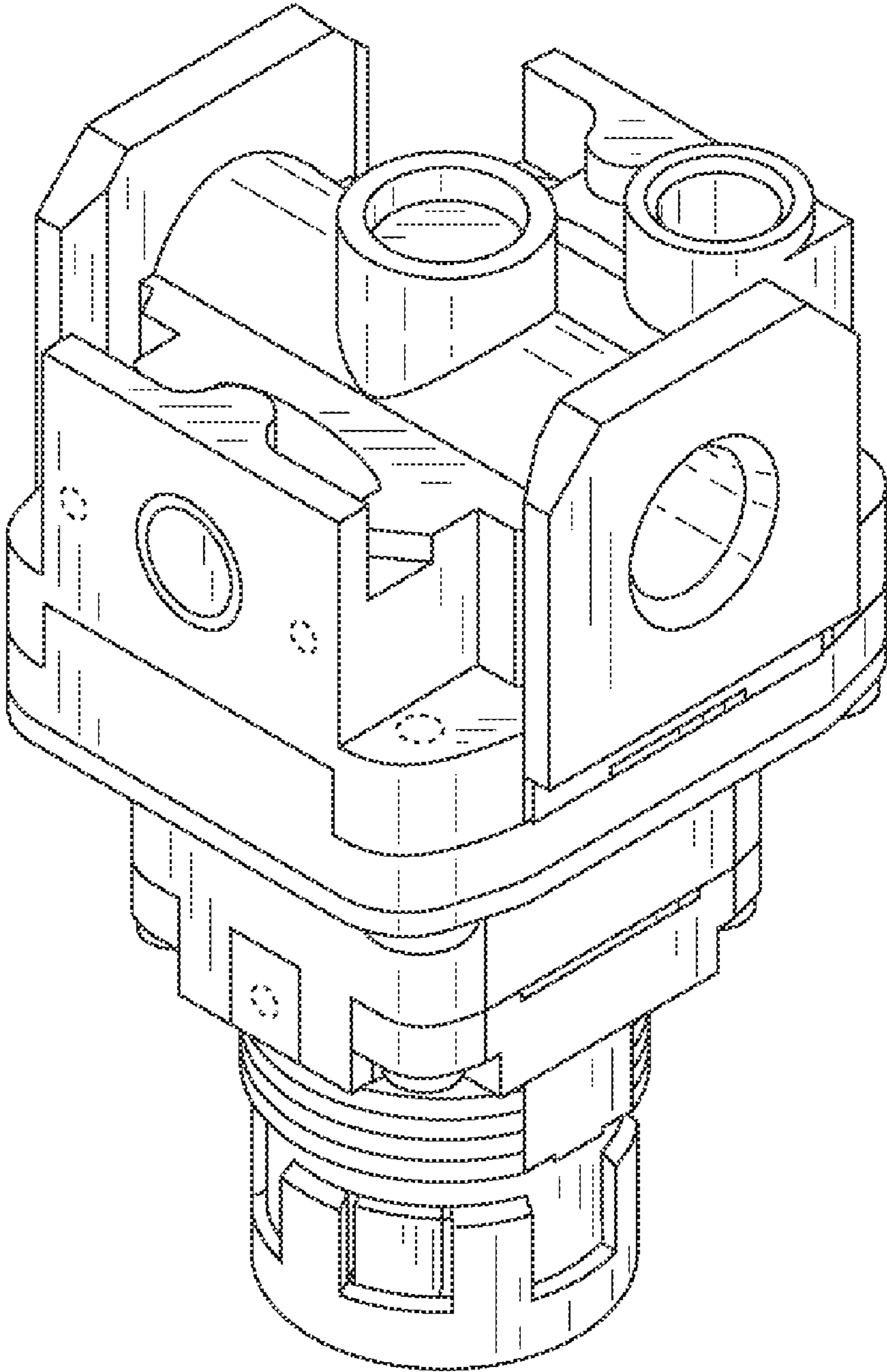




FIG. 9

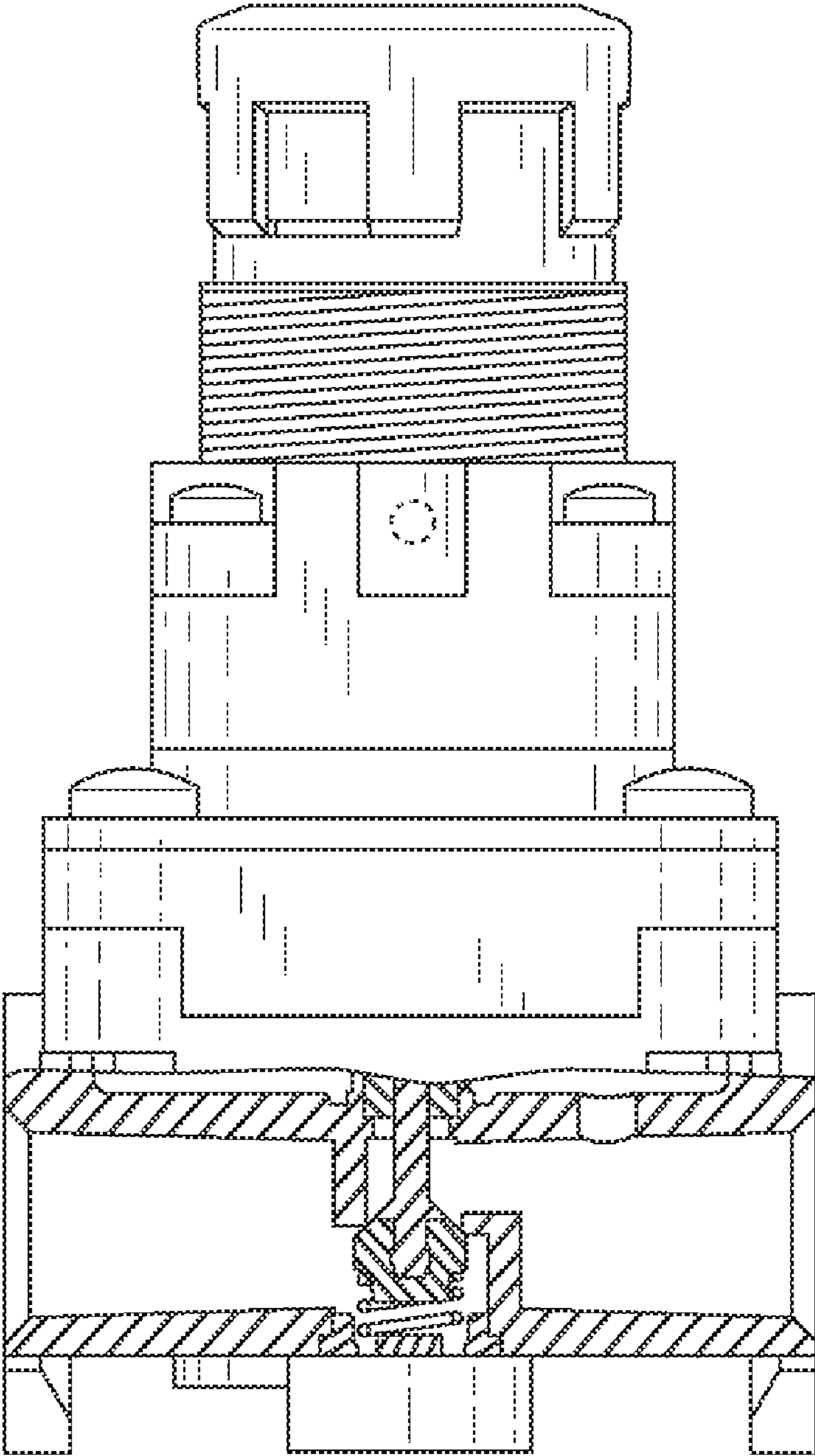


FIG. 10

