



US00D640149S

(12) **United States Design Patent**  
**Lenz et al.**

(10) **Patent No.:** **US D640,149 S**  
(45) **Date of Patent:** **\*\* \*Jun. 21, 2011**

(54) **NAVIGATION DEVICE**

(75) Inventors: **Derrick D. Lenz**, Olathe, KS (US);  
**Warren R. Stevens**, Olathe, KS (US);  
**Juhee Lee**, Olathe, KS (US); **Kwan Woo Lee**, Overland Park, KS (US); **Jeff D. Taylor**, Wellsville, KS (US); **Aaron J. Lindh**, Overland Park, KS (US)

(73) Assignee: **Garmin Switzerland GmbH** (CH)

(\*) Notice: This patent is subject to a terminal disclaimer.

(\*\*) Term: **14 Years**

(21) Appl. No.: **29/355,056**

(22) Filed: **Feb. 2, 2010**

**Related U.S. Application Data**

(63) Continuation of application No. 29/332,867, filed on Feb. 26, 2009, now Pat. No. Des. 611,364.

(51) **LOC (9) Cl.** ..... **10-04**

(52) **U.S. Cl.** ..... **D10/65**

(58) **Field of Classification Search** ..... D10/65;  
D14/341, 344, 507, 138 R, 138 AA, 203.3,  
D14/203.4, 203.5, 203.7; 342/386, 351,  
342/419, 457, 357.06–357.13; 343/702;  
345/87, 104, 133, 156, 168, 173, 901–905;  
348/180, 184, 315, 739; 364/444, 499;  
701/206–209, 213, 214

See application file for complete search history.

(56) **References Cited**

**U.S. PATENT DOCUMENTS**

D541,186 S	4/2007	Lammers-Meis et al. ....	D10/65
D543,875 S	6/2007	Skelton et al. ....	D10/65
D543,876 S	6/2007	Kalis et al. ....	D10/65
D544,381 S	6/2007	Lammers-Meis et al. ....	D10/65
D549,603 S	8/2007	Lammers-Meis et al. ....	D10/74

D561,619 S	*	2/2008	Miyawaki .....	D10/65
D563,806 S	*	3/2008	Jeon .....	D10/65
D565,978 S	*	4/2008	Stevens et al. ....	D10/65
D565,979 S	*	4/2008	Ichikawa et al. ....	D10/65
D566,588 S		4/2008	Stevens et al. ....	D10/65
D571,234 S	*	6/2008	Reeson et al. ....	D10/65
D571,235 S	*	6/2008	Stevens et al. ....	D10/65
D573,044 S		7/2008	Kalis et al. ....	D10/65
D574,271 S		8/2008	Stevens et al. ....	D10/65
D574,272 S	*	8/2008	Stevens et al. ....	D10/65
D575,171 S	*	8/2008	Miyawaki .....	D10/65
D577,298 S	*	9/2008	Reeson et al. ....	D10/65
D584,646 S	*	1/2009	Sanguinetti .....	D10/65
D589,381 S	*	3/2009	Gretton .....	D10/65

(Continued)

**OTHER PUBLICATIONS**

U.S. Appl. No. 29/332,865, filed Feb. 26, 2009.

(Continued)

*Primary Examiner* — Antoine D Davis

(74) *Attorney, Agent, or Firm* — Samuel M. Korte

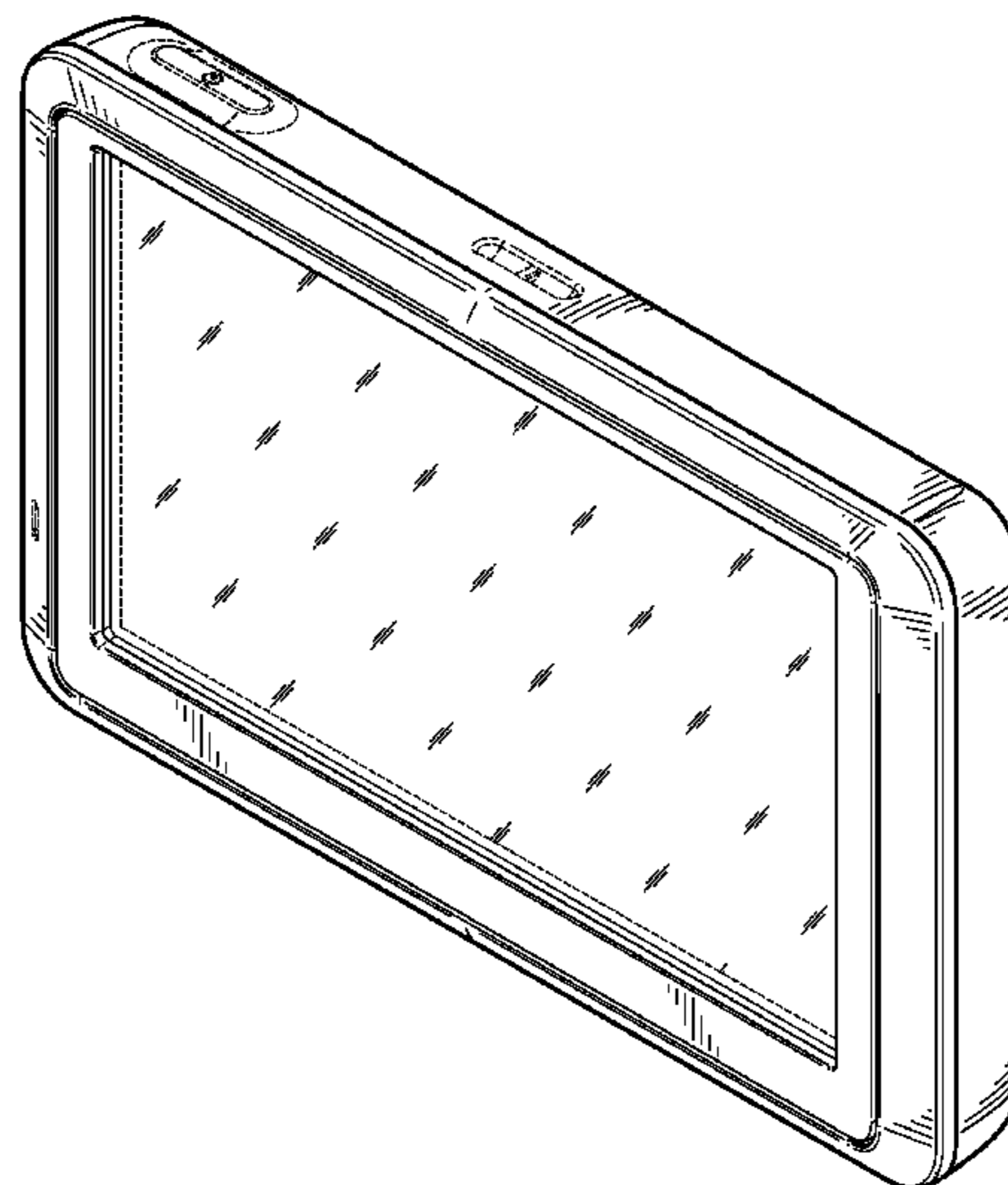
(57) **CLAIM**

The ornamental design for a navigation device, as shown and described.

**DESCRIPTION**

FIG. 1 is a front perspective view of a navigation device according to embodiments of the present invention; FIG. 2 is a rear perspective view of the navigation device; FIG. 3 is a top view of the navigation device; FIG. 4 is a front view of the navigation device; FIG. 5 is a rear view of the navigation device; FIG. 6 is a bottom view of the navigation device; FIG. 7 is a left side view of the navigation device; and, FIG. 8 is a right side view of the navigation device. Portions of FIGS. 1 through 8 are shown in dashed lines for illustrative purposes only and form no part of the claimed design.

**1 Claim, 5 Drawing Sheets**



# US D640,149 S

Page 2

---

## U.S. PATENT DOCUMENTS

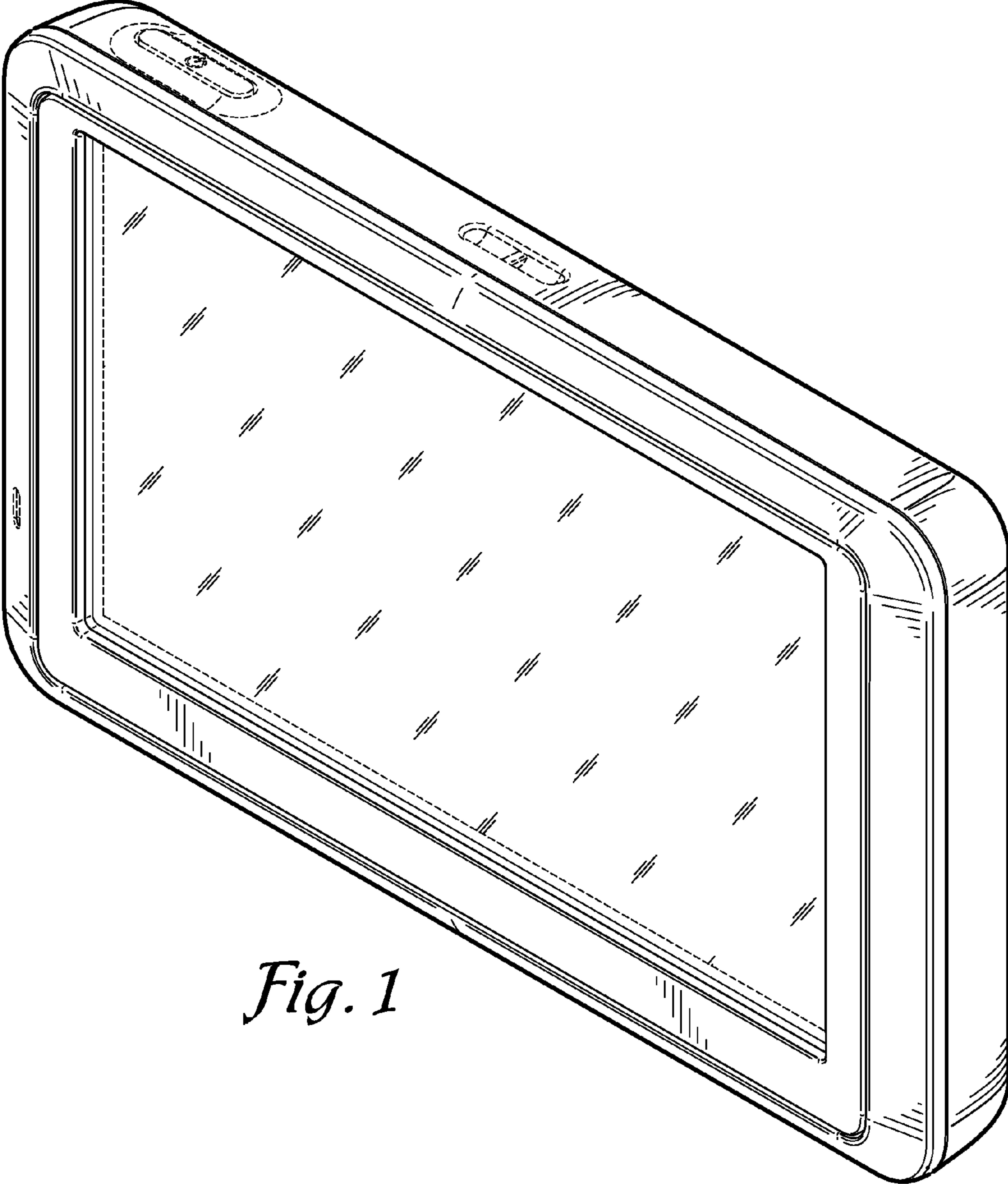
D589,824 S \* 4/2009 Gretton ..... D10/65  
D592,083 S \* 5/2009 Stevens et al. .... D10/65  
D592,084 S 5/2009 Stevens et al. .... D10/65  
7,567,212 B2 \* 7/2009 Inoue et al. .... 343/702  
2008/0259024 A1 \* 10/2008 Nam et al. .... 345/156  
2009/0043446 A1 \* 2/2009 Drew et al. .... 701/33

2009/0160803 A1 \* 6/2009 Hashimoto ..... 345/173  
2009/0189803 A1 \* 7/2009 Beason ..... 342/357.1  
2009/0219259 A1 \* 9/2009 Kwon ..... 345/173

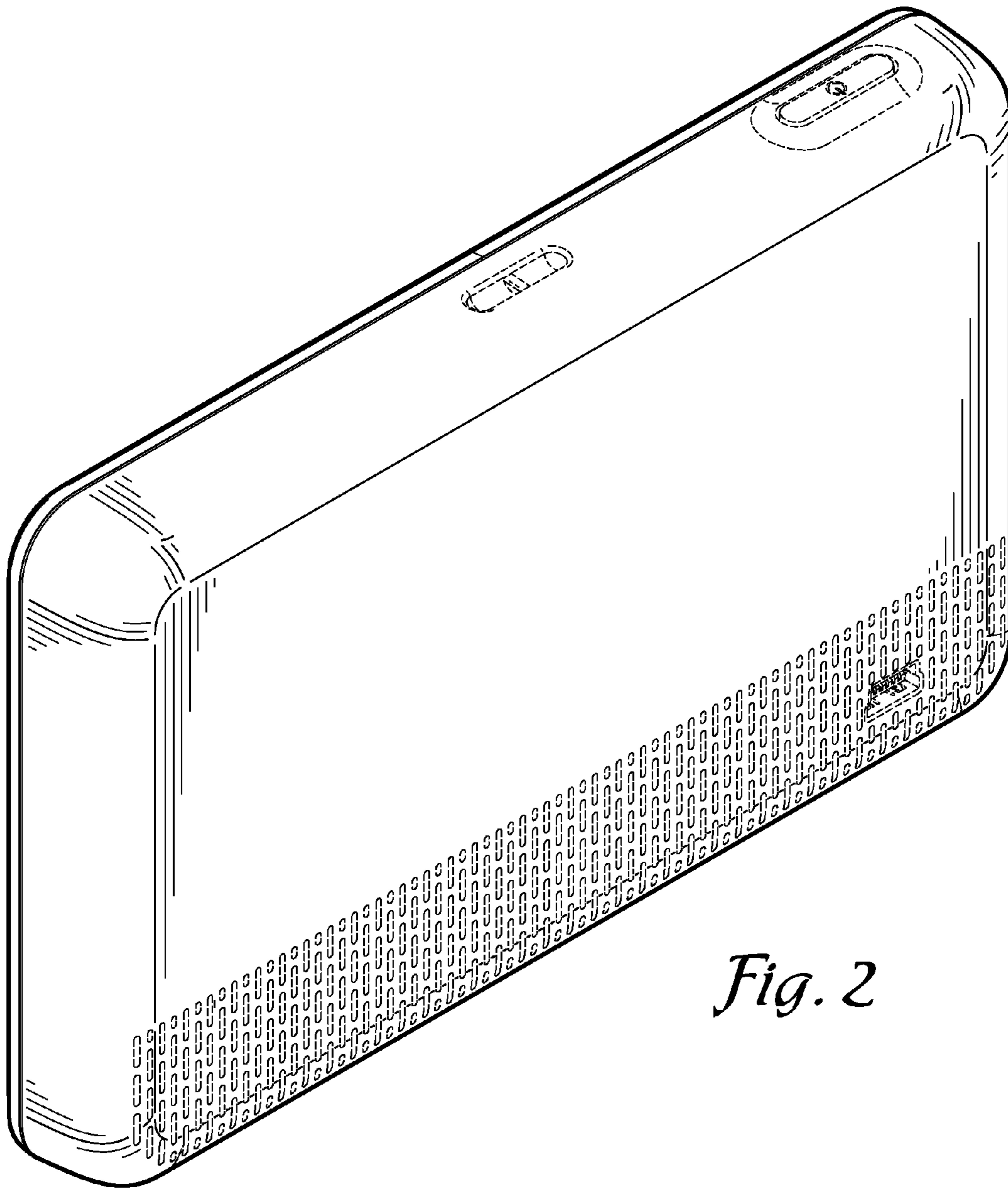
## OTHER PUBLICATIONS

U.S. Appl. No. 29/355,054, filed Feb. 26, 2009.

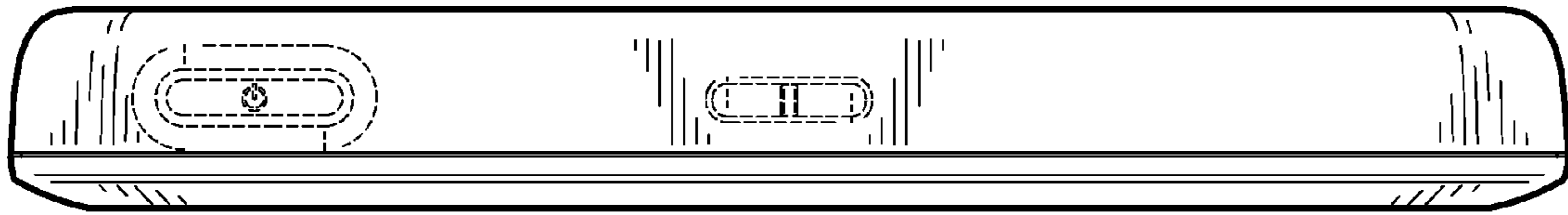
\* cited by examiner



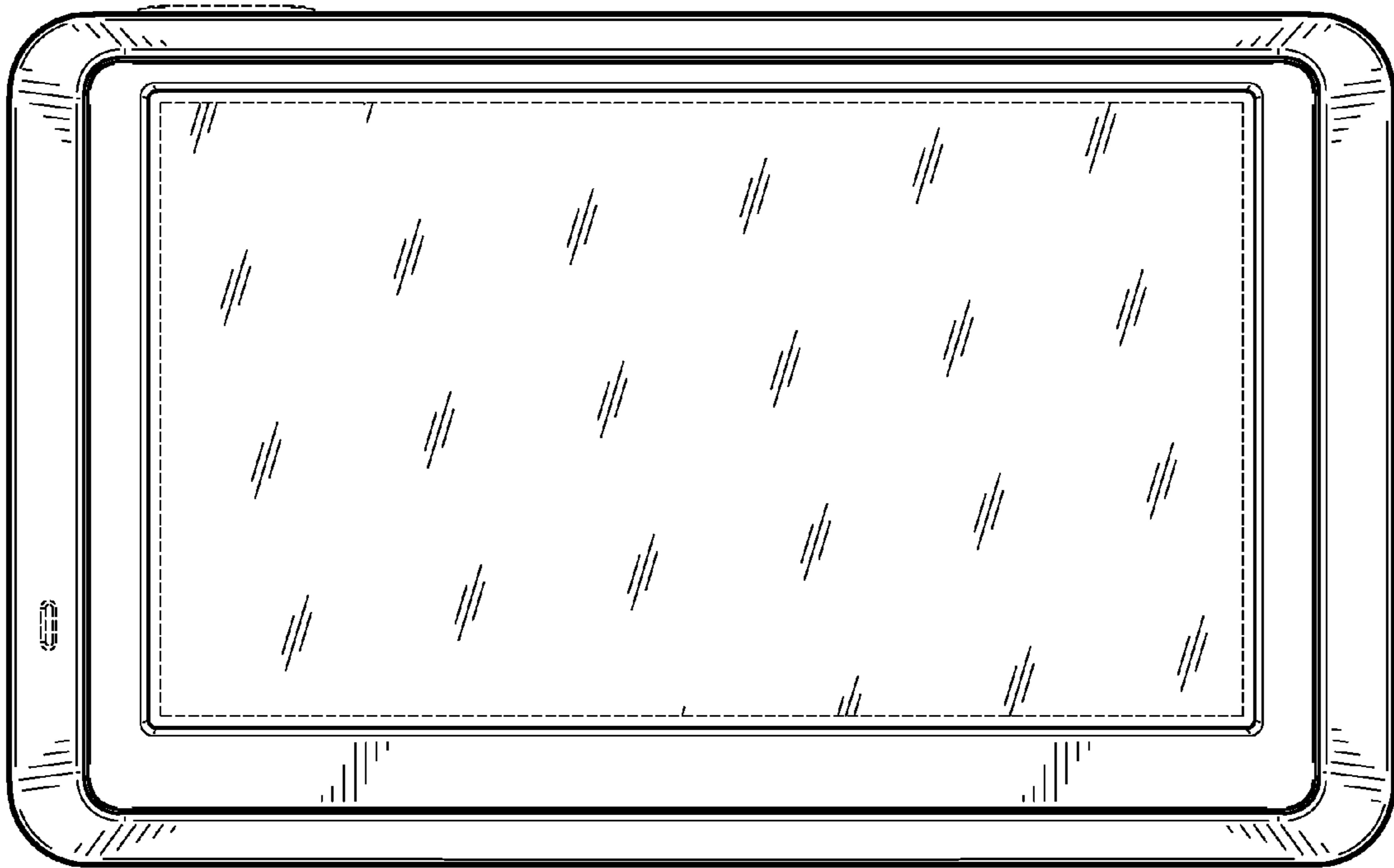
*Fig. 1*



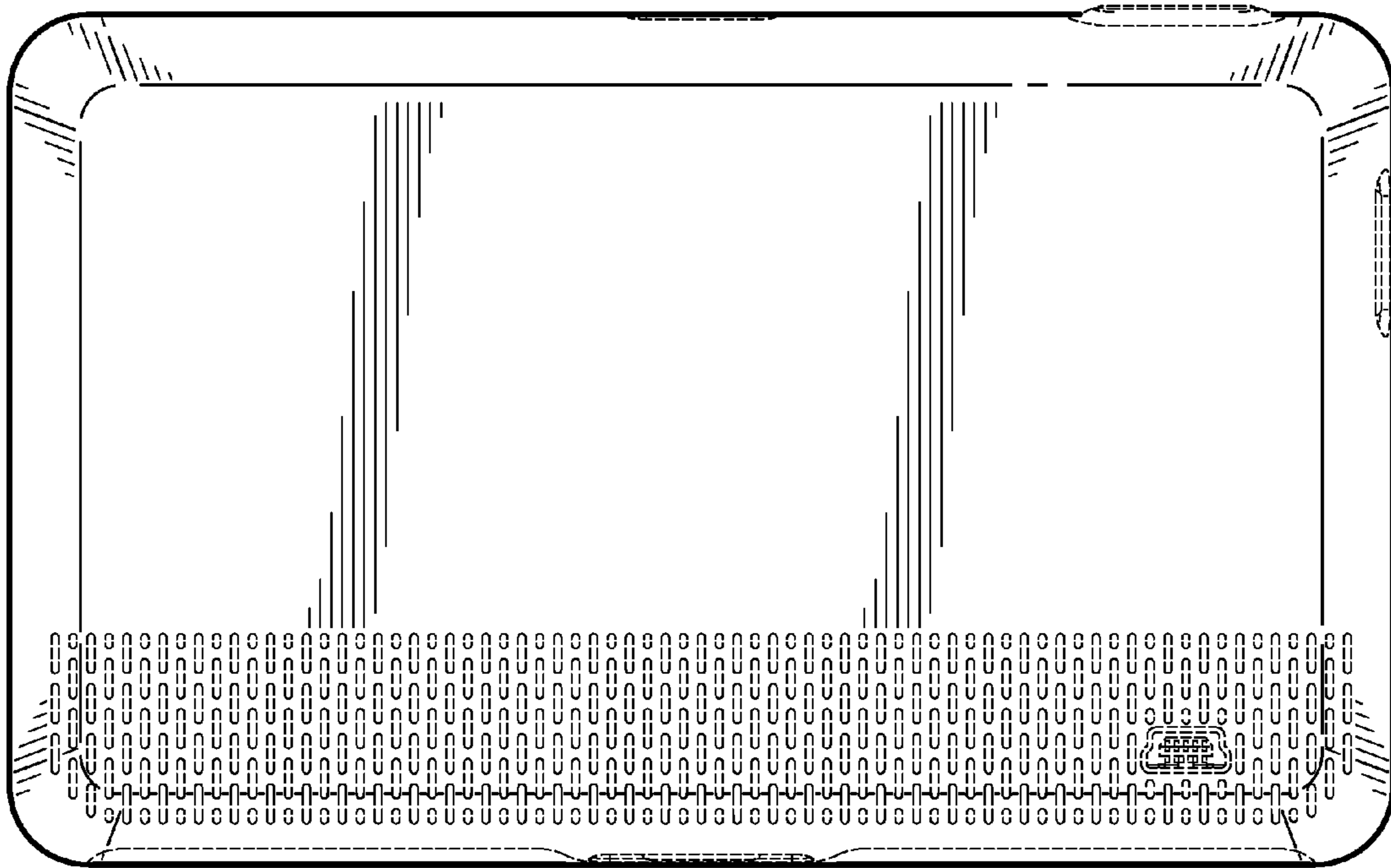
*Fig. 2*



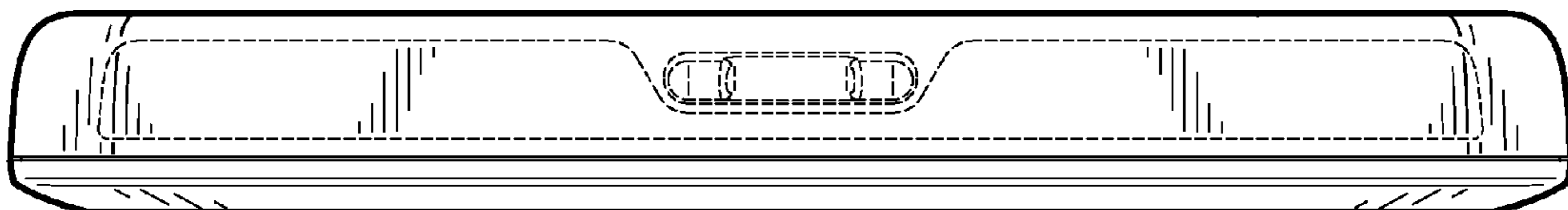
*Fig. 3*



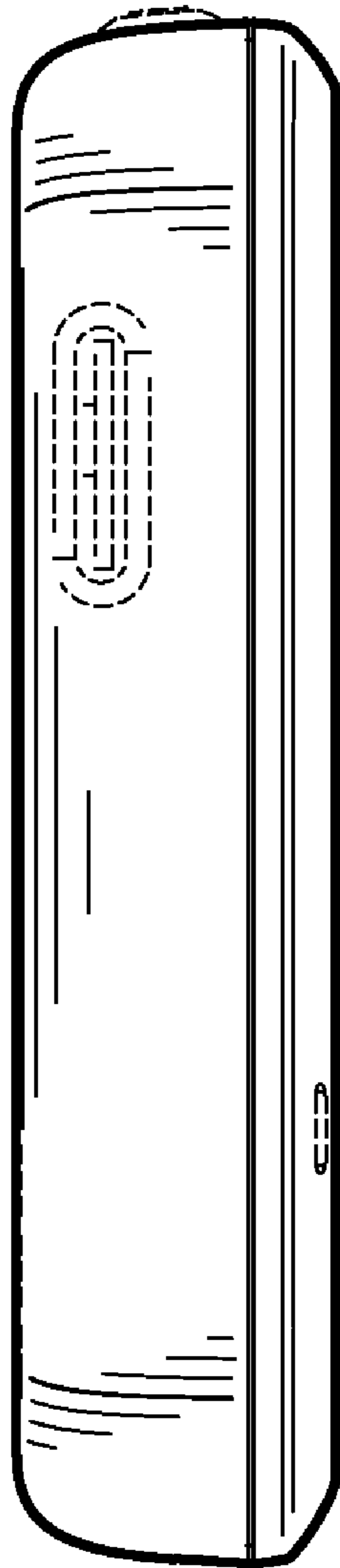
*Fig. 4*



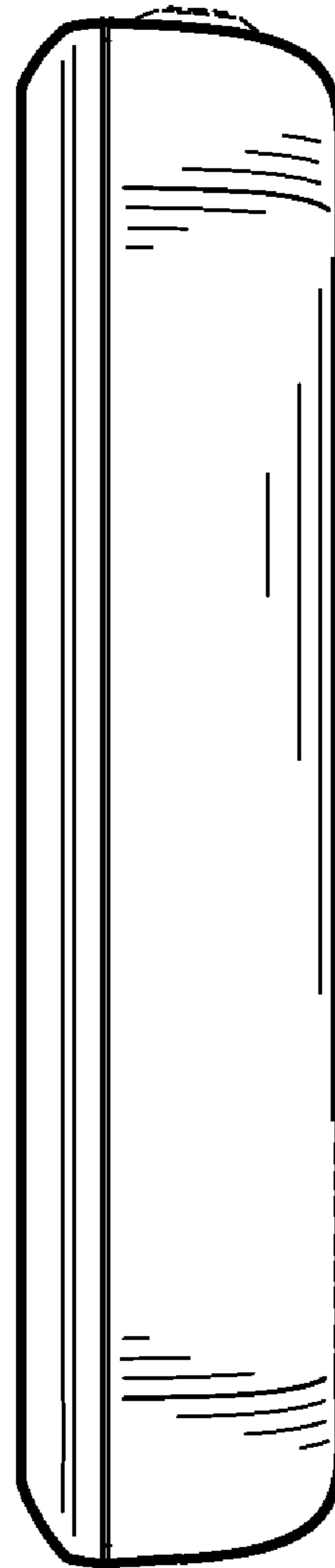
*Fig. 5*



*Fig. 6*



*Fig. 7*



*Fig. 8*