



US00D640143S

(12) **United States Design Patent**  
**Virgili**

(10) **Patent No.:** **US D640,143 S**

(45) **Date of Patent:** **\*\* Jun. 21, 2011**

(54) **WRIST WATCH**

(76) **Inventor:** **Paolo Virgili, Dubai (AE)**

(\*\*) **Term:** **14 Years**

(21) **Appl. No.:** **29/371,371**

(22) **Filed:** **Jan. 20, 2011**

(30) **Foreign Application Priority Data**

Jul. 27, 2010 (EM) ..... 001226963

(51) **LOC (9) Cl.** ..... **10-02**

(52) **U.S. Cl.** ..... **D10/32**

(58) **Field of Classification Search** ..... D10/30-39;  
368/276, 281, 282, 283, 285; D11/3  
See application file for complete search history.

(56) **References Cited**

**U.S. PATENT DOCUMENTS**

2,473,226	A *	6/1949	Sheldon	.....	224/219
D157,607	S *	3/1950	Lachman	.....	D10/38
3,656,292	A *	4/1972	Hurt	.....	368/299
D320,356	S *	10/1991	Boyer et al.	.....	D10/32
D321,327	S *	11/1991	O'Connell	.....	D10/33
5,173,884	A *	12/1992	O'Connell	.....	368/281
D345,509	S *	3/1994	d'Huart	.....	D10/32
D351,558	S *	10/1994	Moon	.....	D10/32
6,464,390	B1 *	10/2002	Baroche	.....	368/281

D540,196	S *	4/2007	Ruchonnet	.....	D10/32
D540,695	S *	4/2007	Leung	.....	D10/31
D541,179	S *	4/2007	Ahlstrom	.....	D10/31
D551,093	S *	9/2007	Hegi	.....	D10/31
D580,278	S *	11/2008	Hegi	.....	D10/32
D586,674	S *	2/2009	Solarewicz	.....	D10/70
D602,386	S *	10/2009	Ueda et al.	.....	D10/98
D610,472	S *	2/2010	Nashimoto	.....	D10/32

\* cited by examiner

*Primary Examiner* — Lucy Lieberman

(74) *Attorney, Agent, or Firm* — Modiano & Associati;  
Albert Josif; Daniel J. O'Byrne

(57) **CLAIM**

The ornamental design for a wrist watch, as shown and described.

**DESCRIPTION**

FIG. 1 is a perspective view of a wrist watch showing my new design;

FIG. 2 is a right side view thereof;

FIG. 3 is a left side view thereof;

FIG. 4 is a rear view thereof;

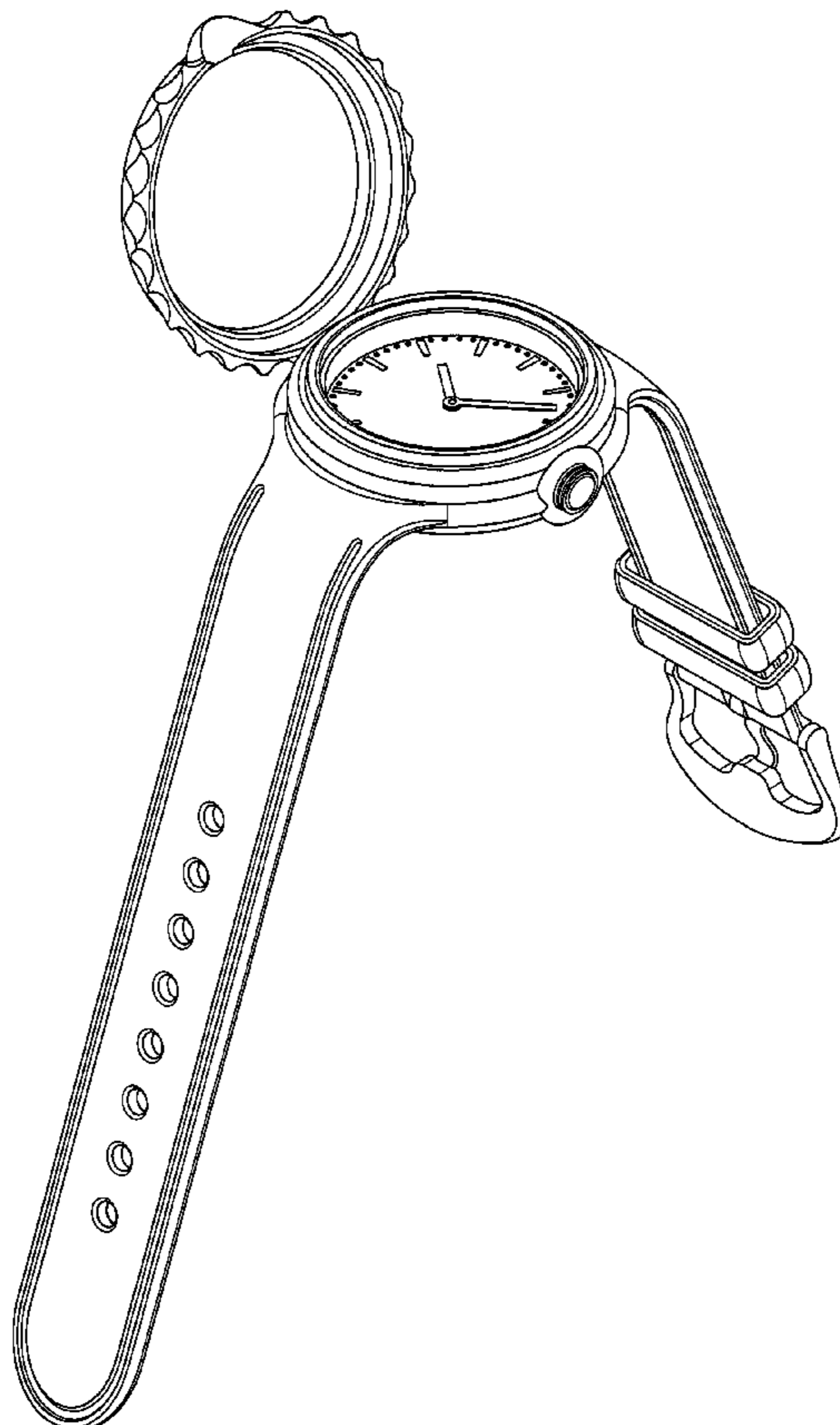
FIG. 5 is a top view thereof;

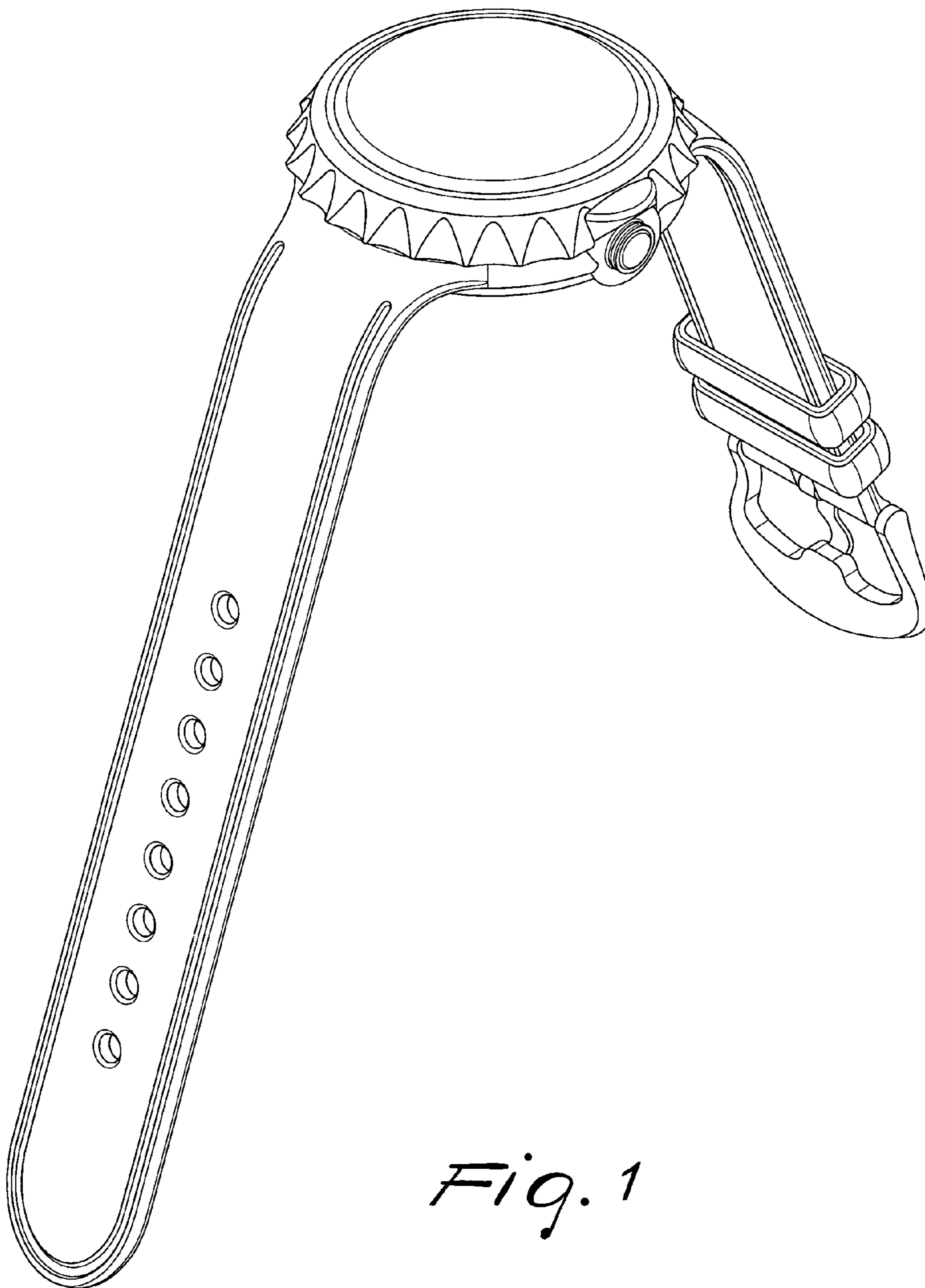
FIG. 6 is a bottom view thereof;

FIG. 7 is a perspective view thereof similar to FIG. 1 and with a cover element in an open position; and,

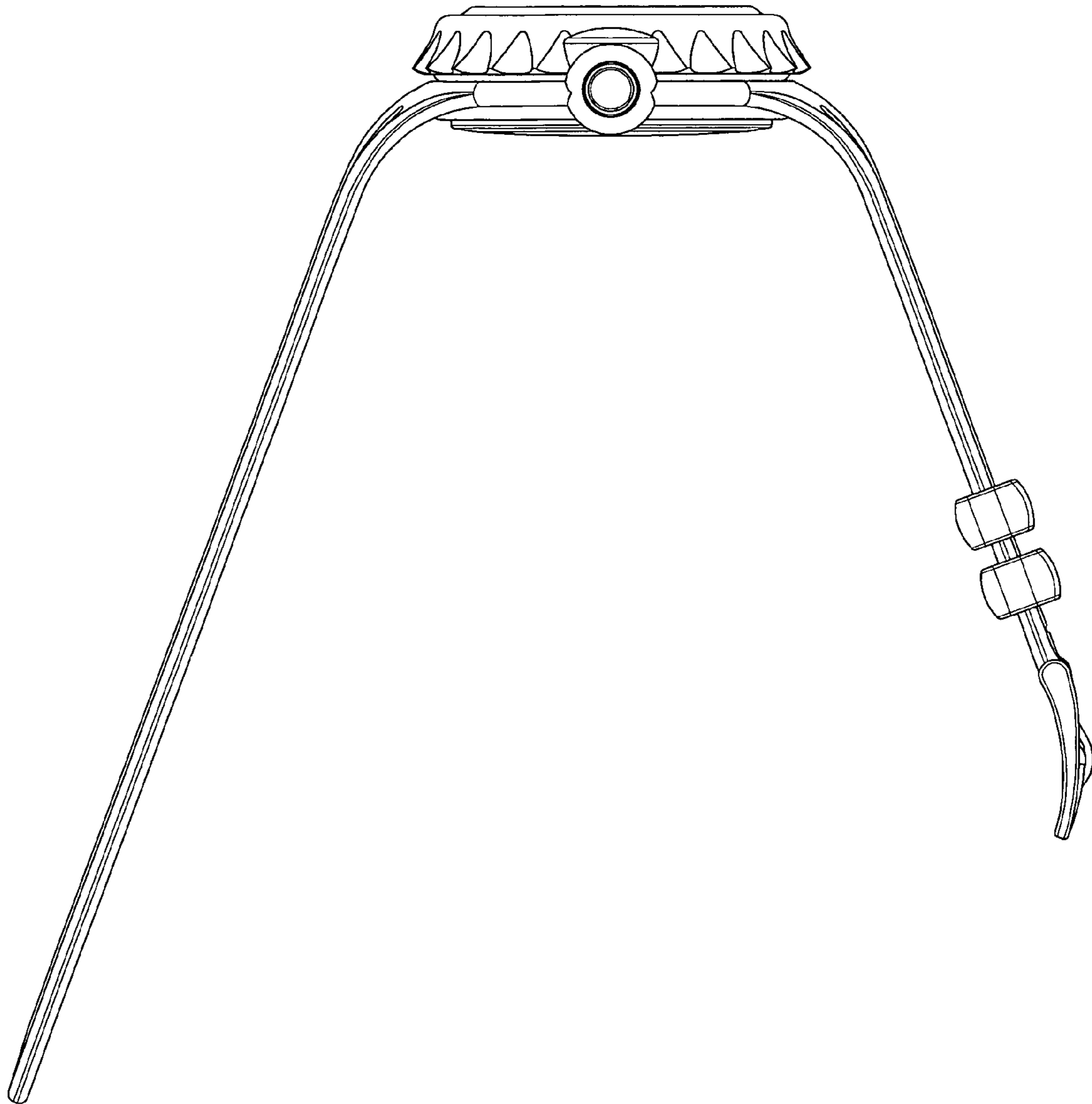
FIG. 8 is a front view thereof.

**1 Claim, 7 Drawing Sheets**

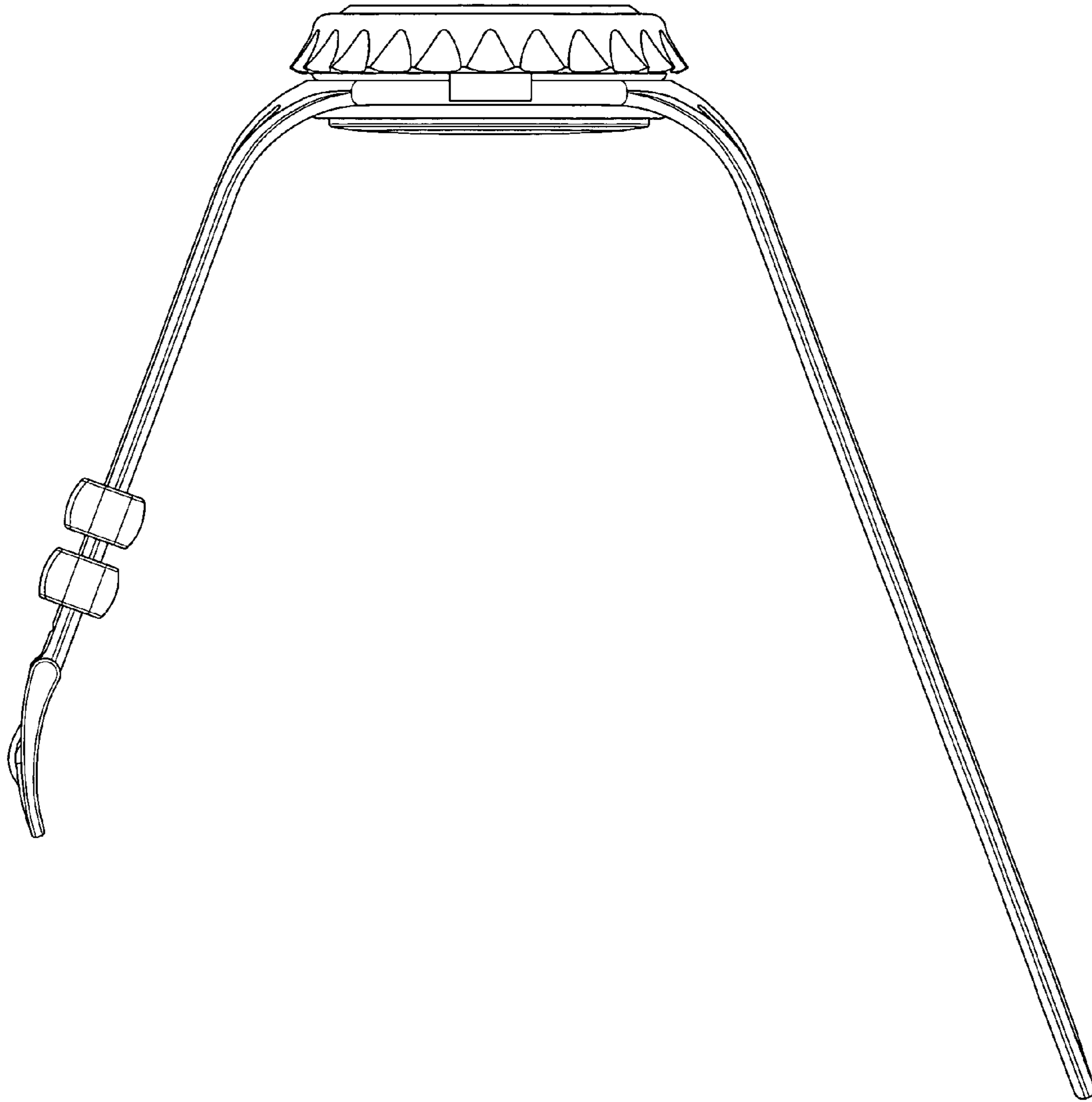




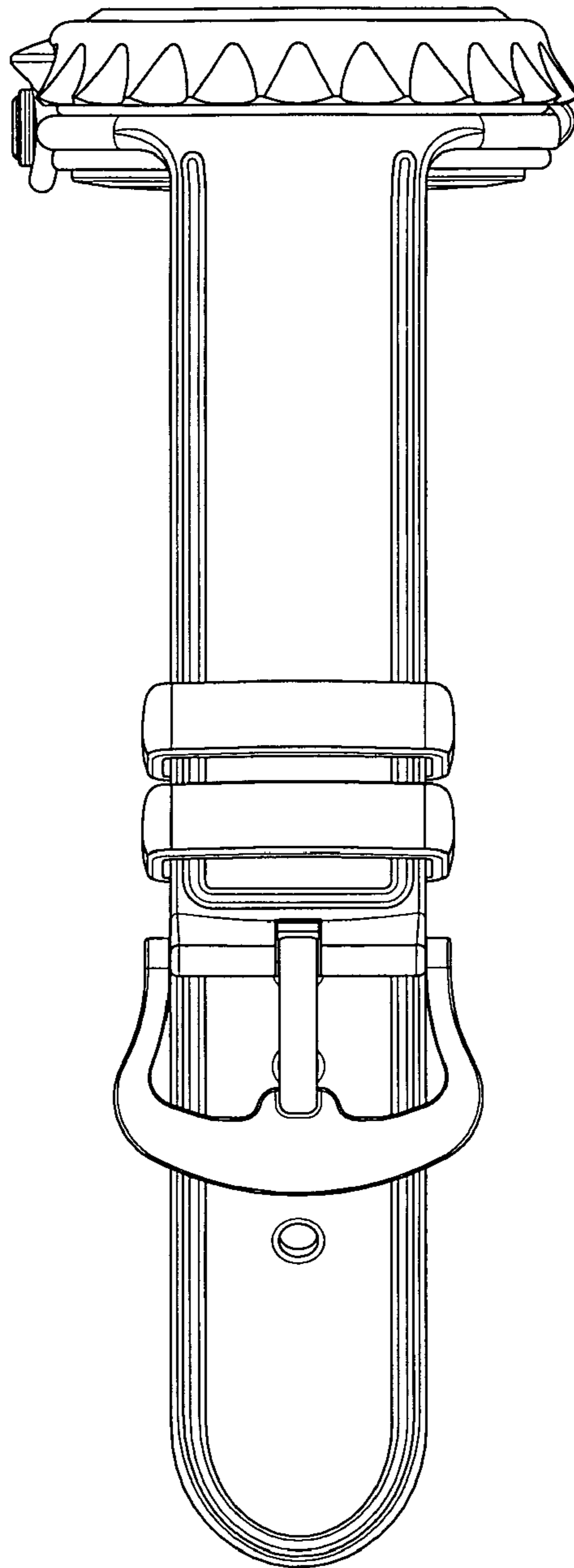
*Fig. 1*



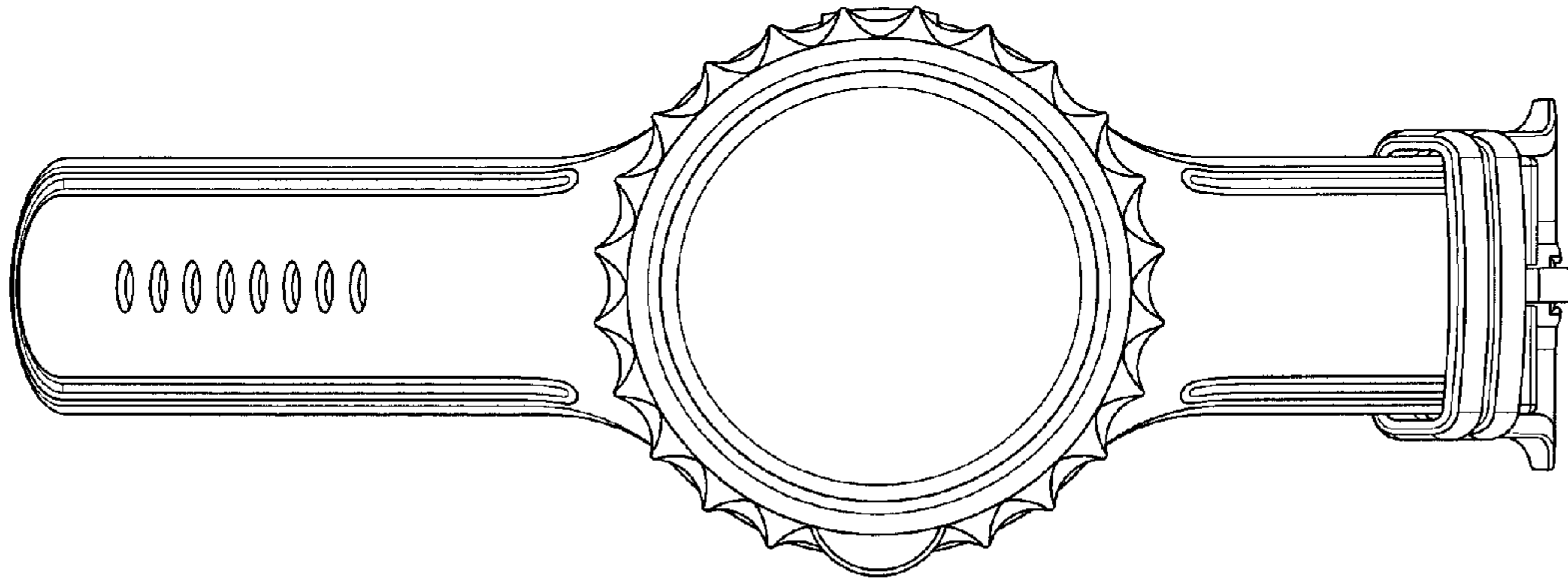
*Fig. 2*



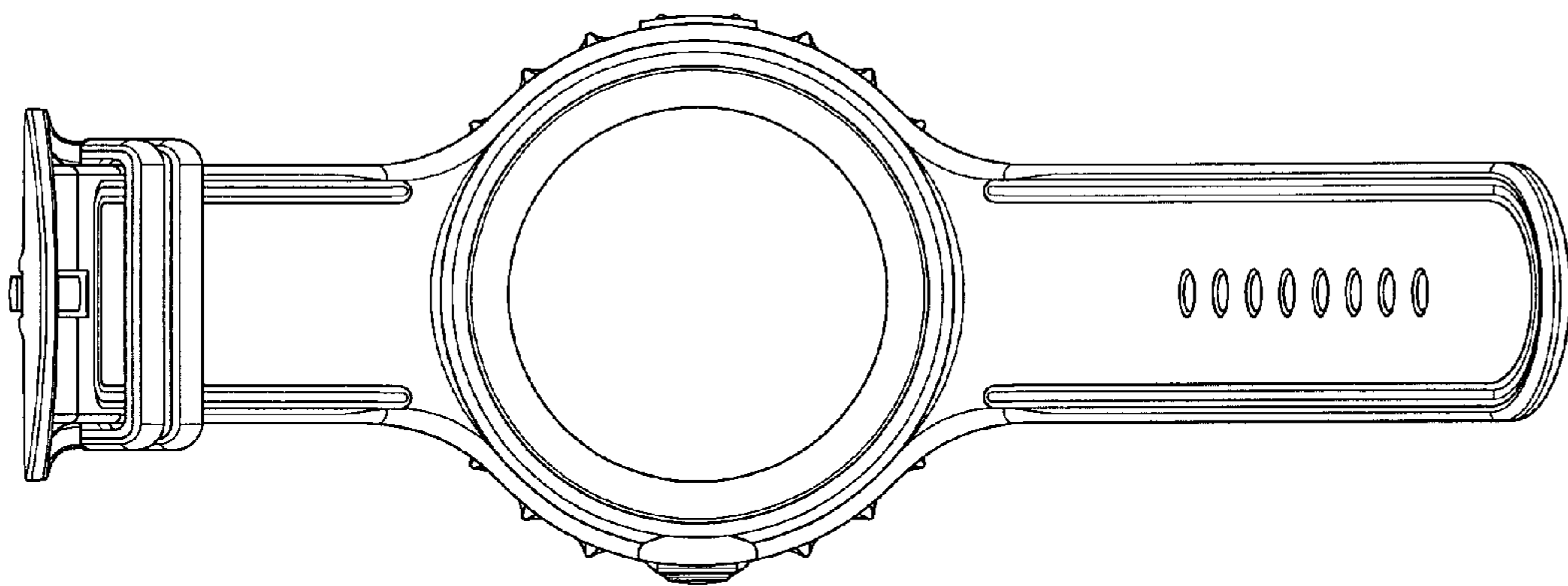
*Fig. 3*



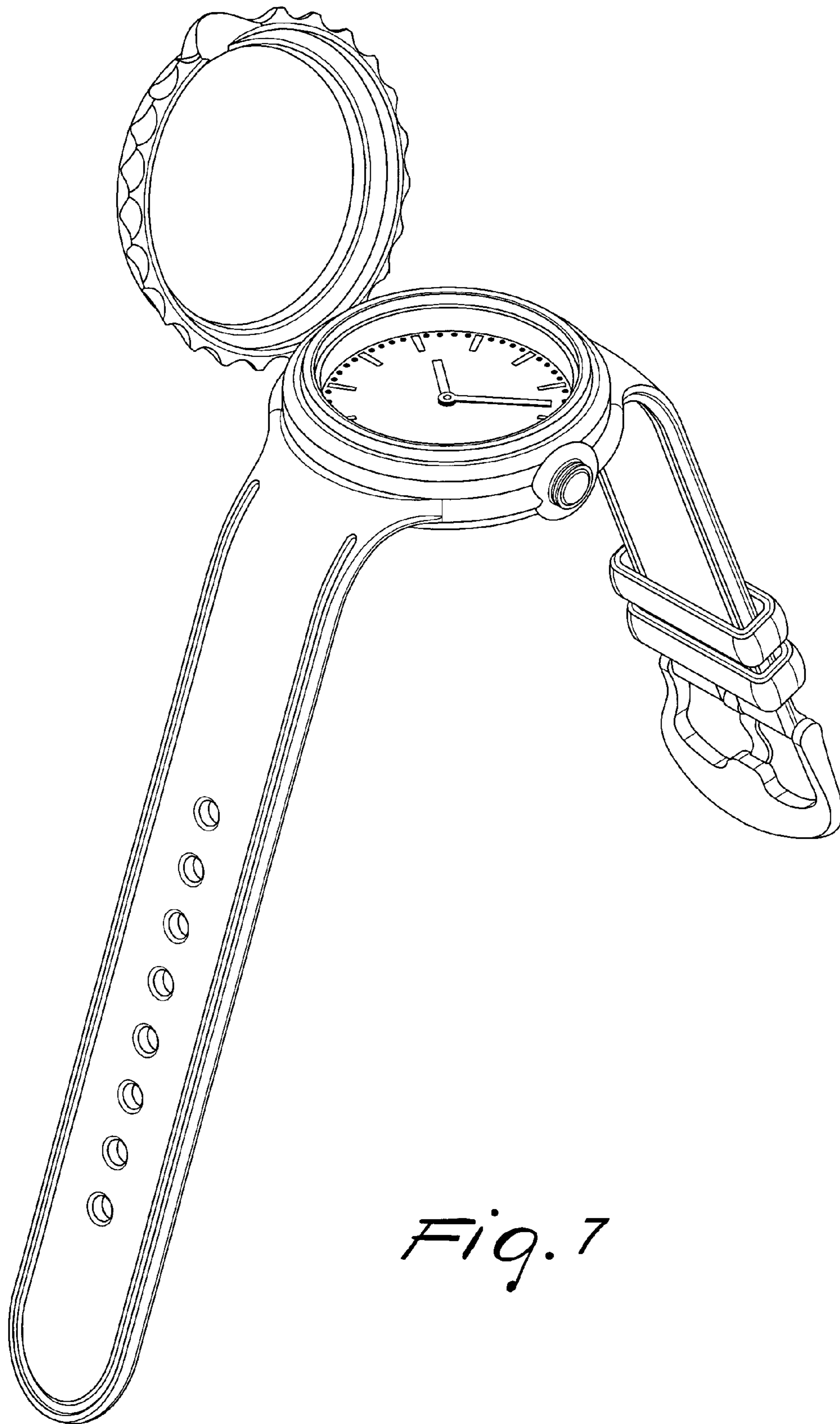
*Fig. 4*



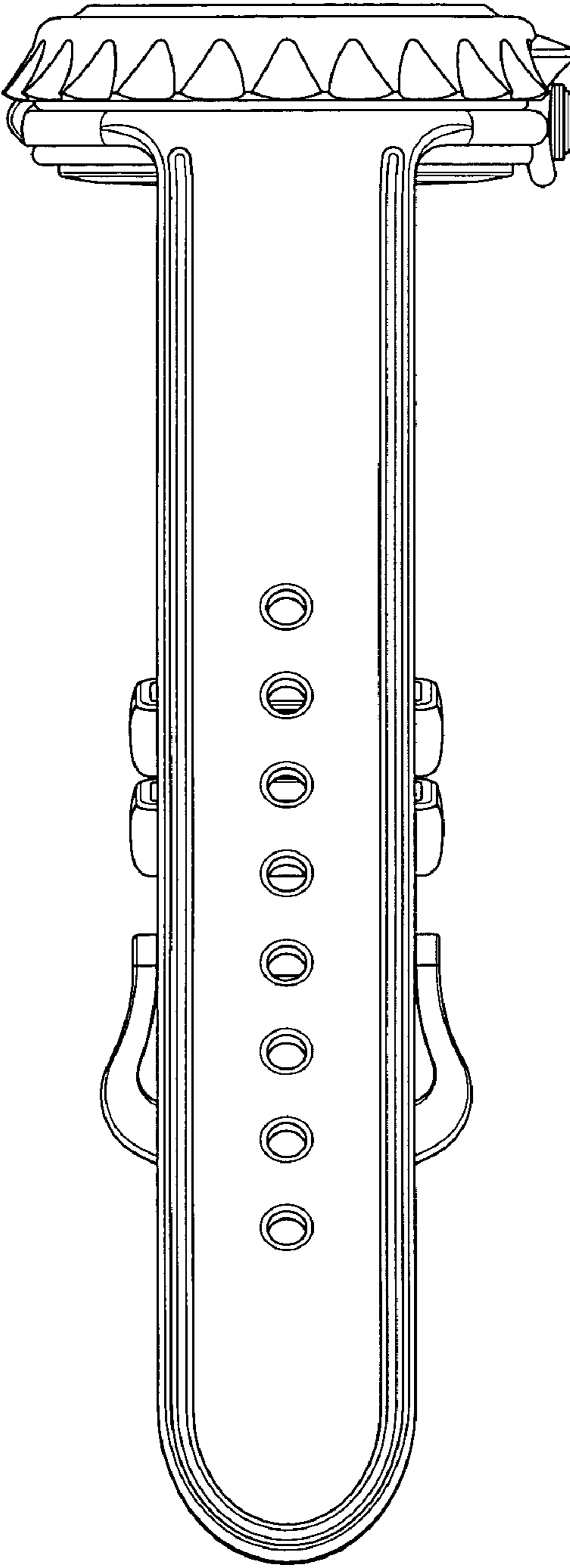
*Fig. 5*



*Fig. 6*



*Fig. 7*



*Fig. 8*