



US00D640142S

(12) **United States Design Patent**
Bedol et al.

(10) **Patent No.:** **US D640,142 S**
(45) **Date of Patent:** **** Jun. 21, 2011**

- (54) **CLOCK**
 - (75) Inventors: **Mark A. Bedol**, Claremont, CA (US);
Robert Thompson, Milford, MA (US)
 - (73) Assignee: **Mark A. Bedol**, Claremont, CA (US)
 - (**) Term: **14 Years**
 - (21) Appl. No.: **29/373,192**
 - (22) Filed: **Mar. 14, 2011**
 - (51) **LOC (9) Cl.** **10-01**
 - (52) **U.S. Cl.** **D10/15; D10/20; D10/23**
 - (58) **Field of Classification Search** D10/1-29;
368/316, 317, 276
- See application file for complete search history.

5,425,006 A *	6/1995	Ya	368/262
D392,901 S *	3/1998	Mok	D10/22
D406,774 S *	3/1999	Sinisi	D10/40
D460,362 S *	7/2002	Kalman	D10/22
D460,920 S *	7/2002	Kalman	D10/22
D466,822 S *	12/2002	Li	D10/15
D467,186 S *	12/2002	Chen	D10/15
D478,890 S *	8/2003	Ng	D14/170
D588,022 S *	3/2009	Hocherman et al.	D10/15
D598,787 S *	8/2009	Bedol et al.	D10/15
D615,421 S *	5/2010	Bedol et al.	D10/1
D615,878 S *	5/2010	Berliat	D10/22

* cited by examiner

Primary Examiner — Lucy Lieberman

(56) **References Cited**

U.S. PATENT DOCUMENTS

D50,730 S *	5/1917	Hoche	D10/2
D55,019 S *	5/1920	Bennet	D10/23
D93,523 S *	10/1934	Schlenker	D10/23
D97,453 S *	11/1935	Bars	D10/1
D186,530 S *	11/1959	Marti	D10/23
D190,749 S *	6/1961	Marti	D10/1
3,008,288 A *	11/1961	Marti et al.	368/276
3,179,791 A *	4/1965	Mole	362/283
D224,233 S *	7/1972	Fujita	D14/371
D233,026 S *	10/1974	Blessing	D10/23
D276,703 S *	12/1984	Au	D10/15
D312,578 S *	12/1990	Kumakura	D10/22
D335,833 S *	5/1993	Gecchelin	D10/128

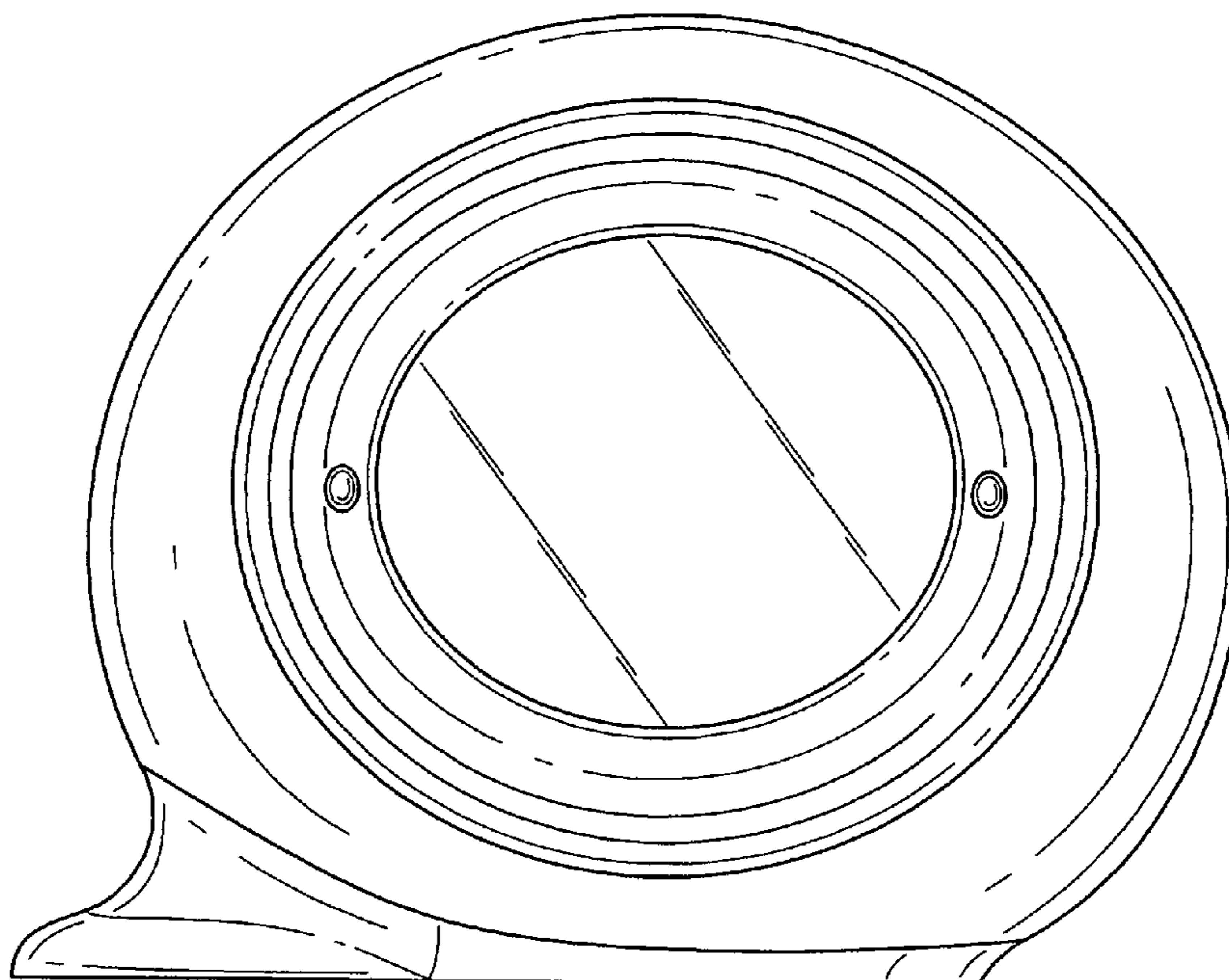
(57) **CLAIM**

I claim the ornamental design for a clock, as shown and described.

DESCRIPTION

FIG. 1 is a Front Perspective view of a clock, showing our new design;
 FIG. 2 is a Front Elevational view thereof,
 FIG. 3 is a Rear Elevational view thereof,
 FIG. 4 is a Left Side Elevational view thereof,
 FIG. 5 is a Right Side Elevational view thereof,
 FIG. 6 is a Top Plan view thereof; and,
 FIG. 7 is a Bottom Plan view thereof.

1 Claim, 7 Drawing Sheets



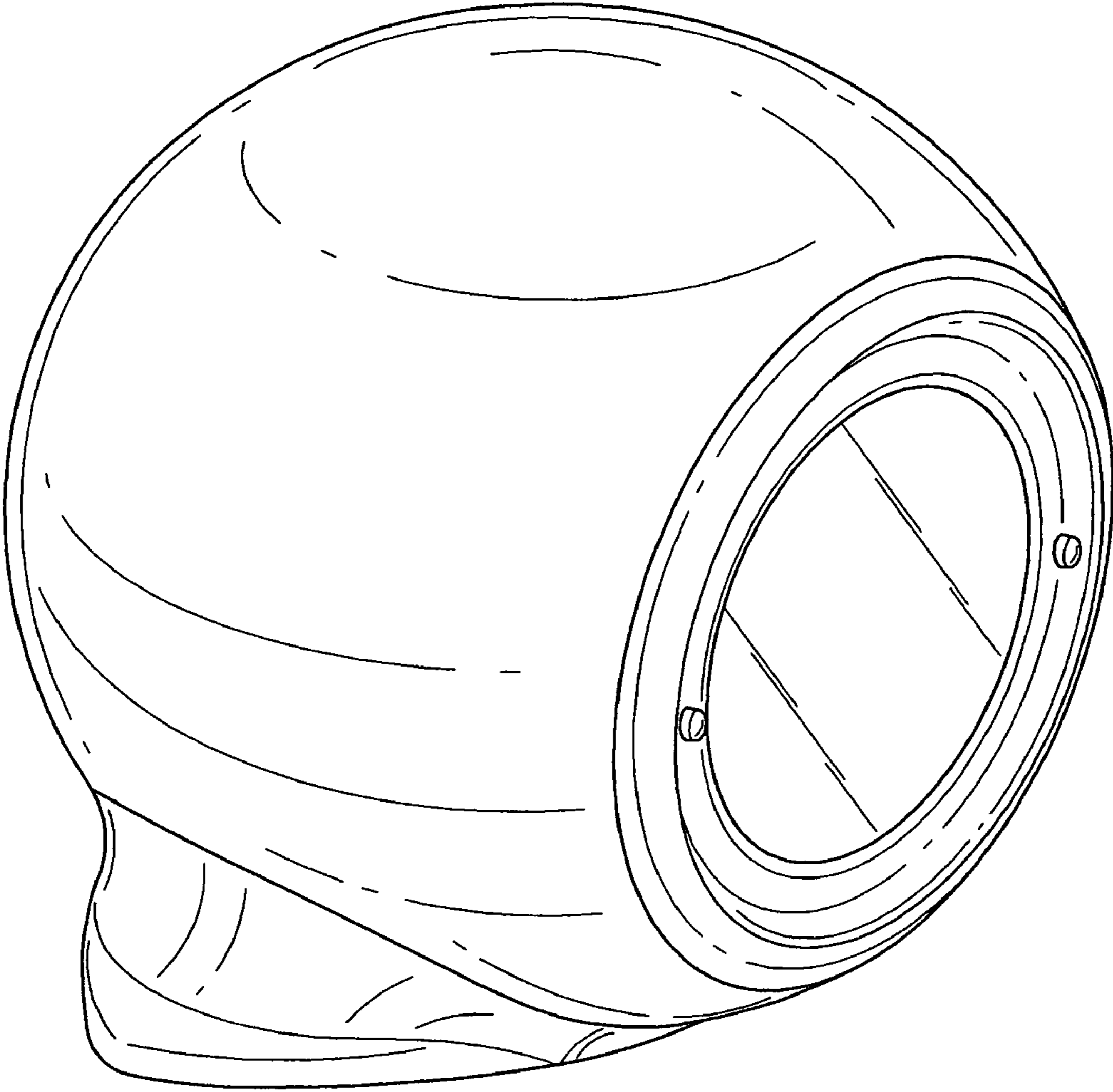


FIG. 1

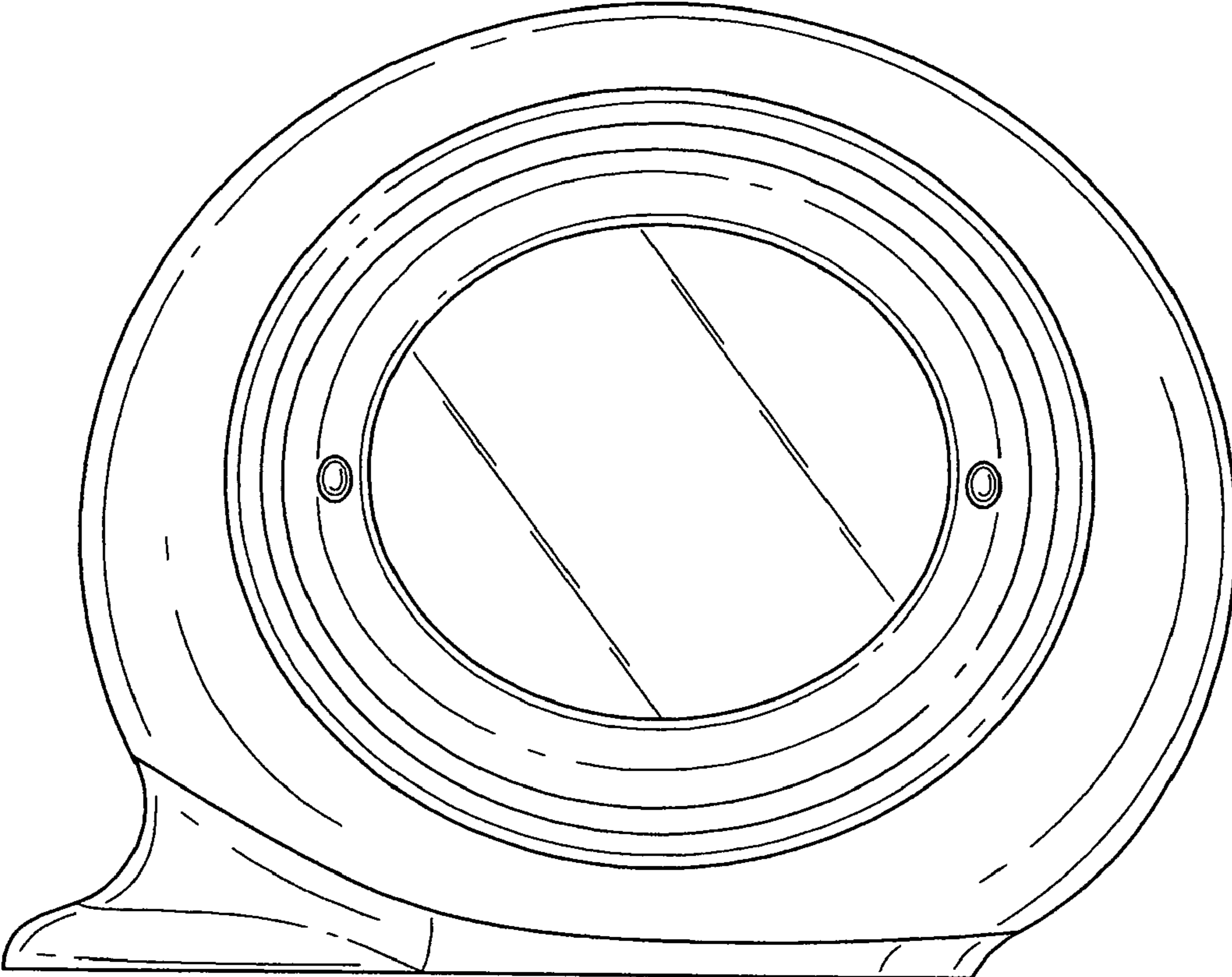


FIG. 2

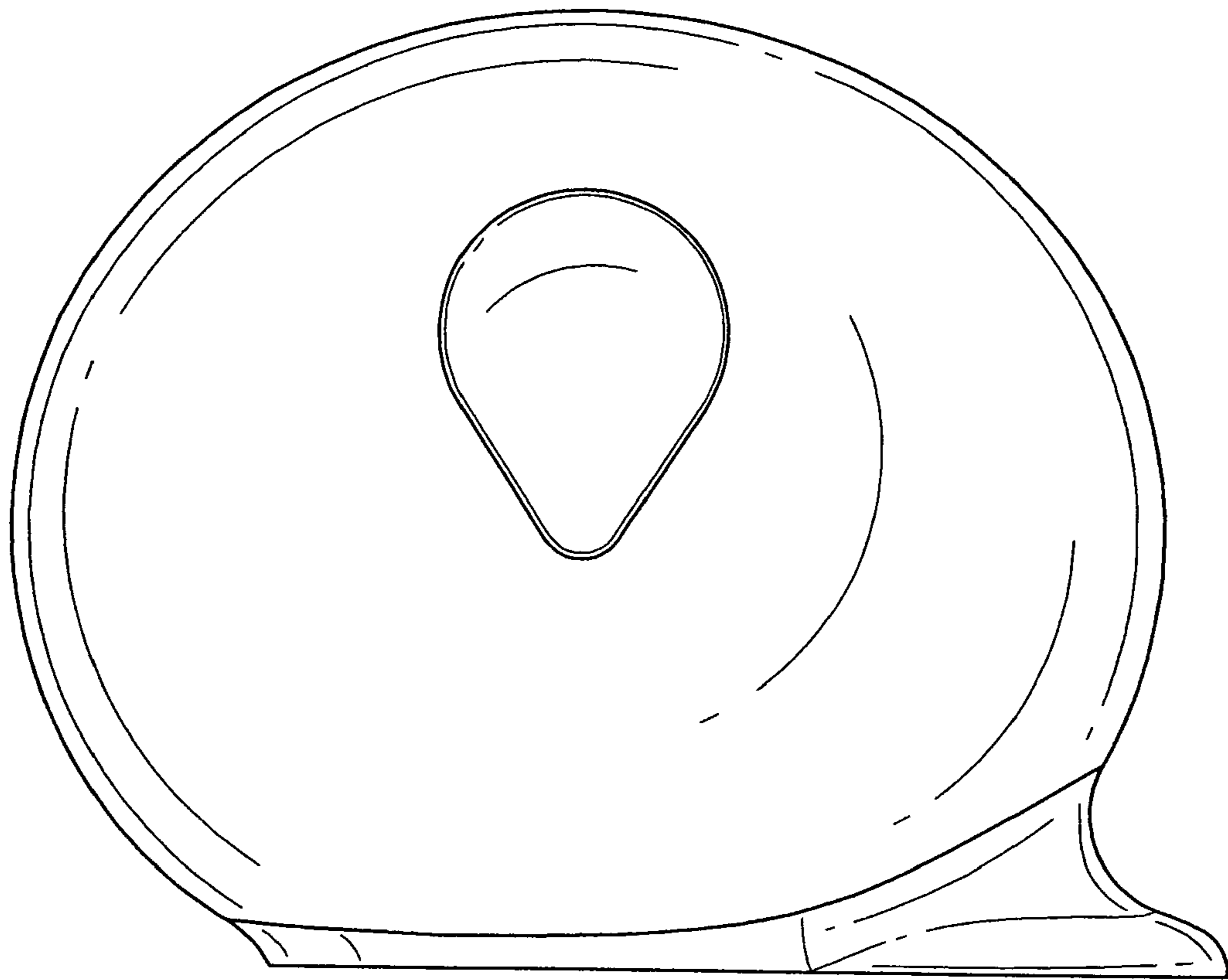


FIG. 3

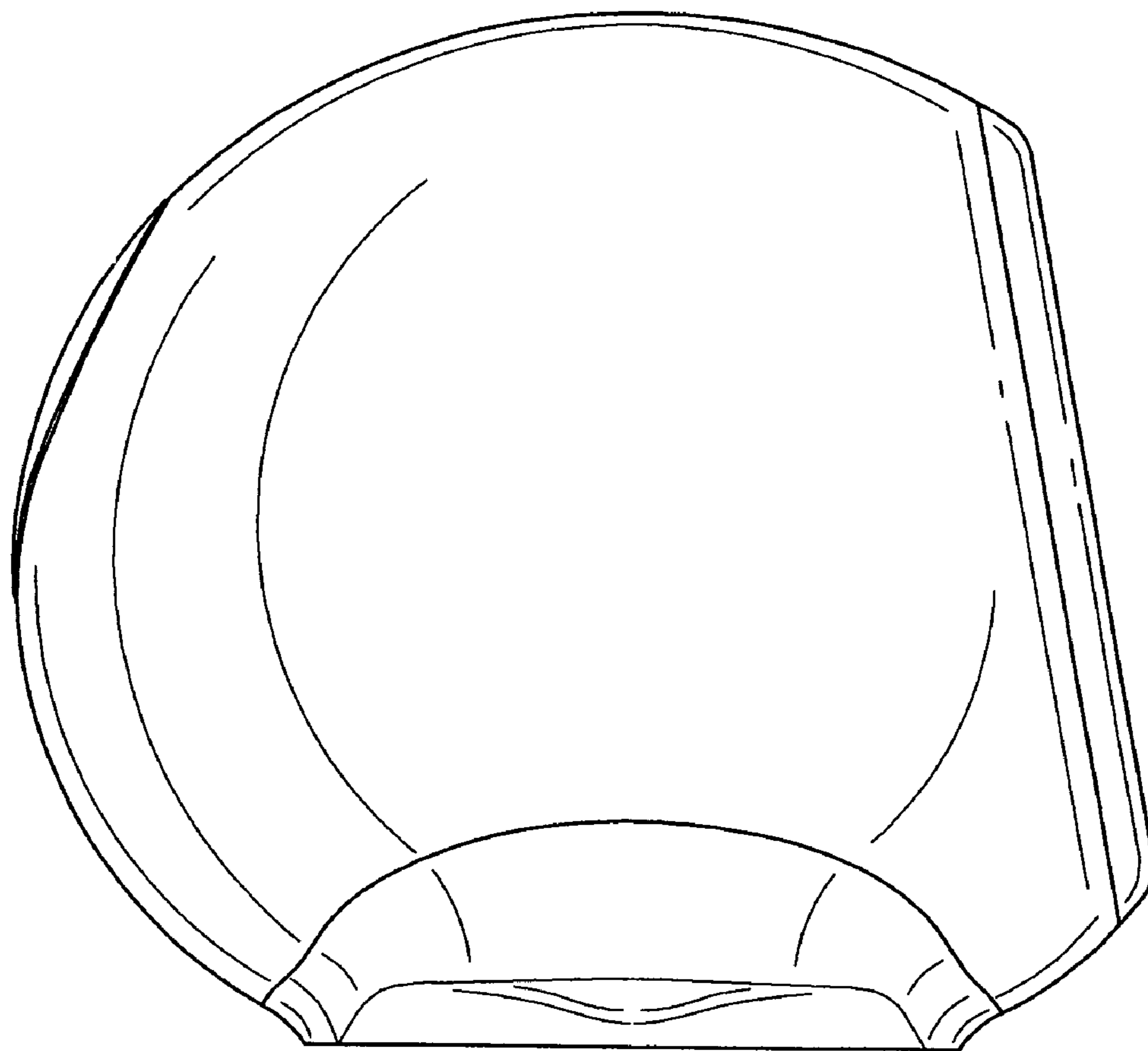


FIG. 4

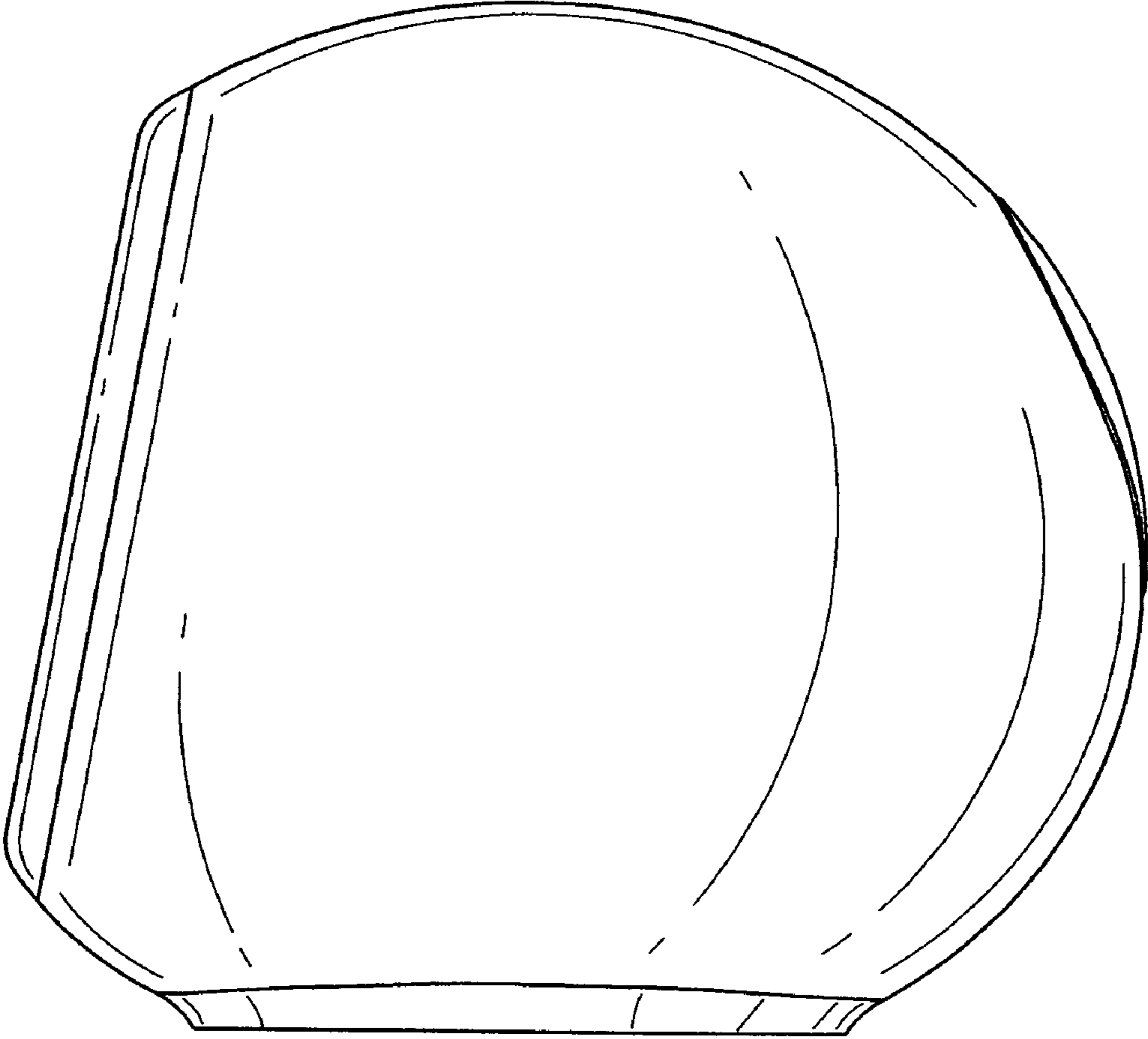


FIG. 5

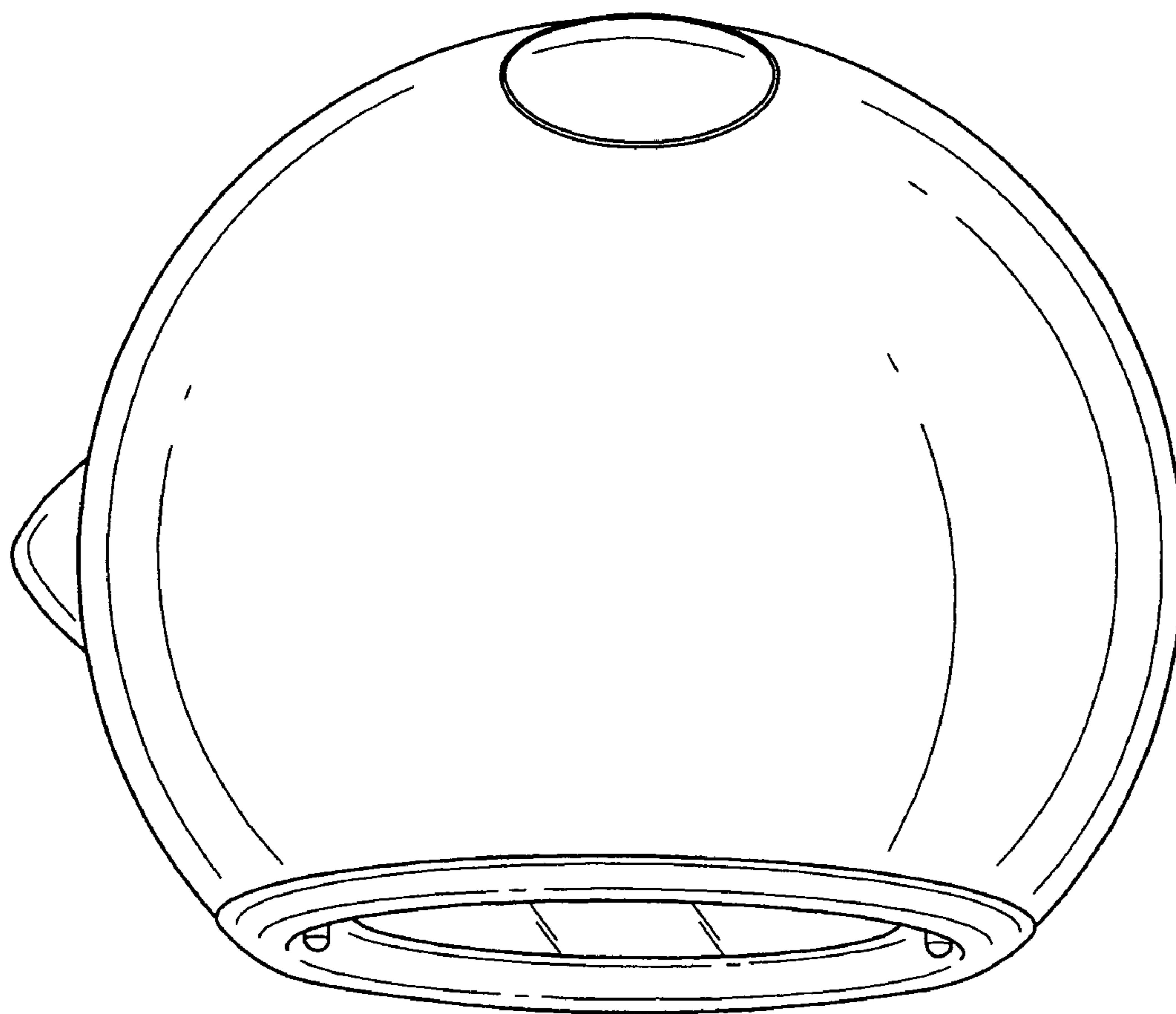


FIG. 6

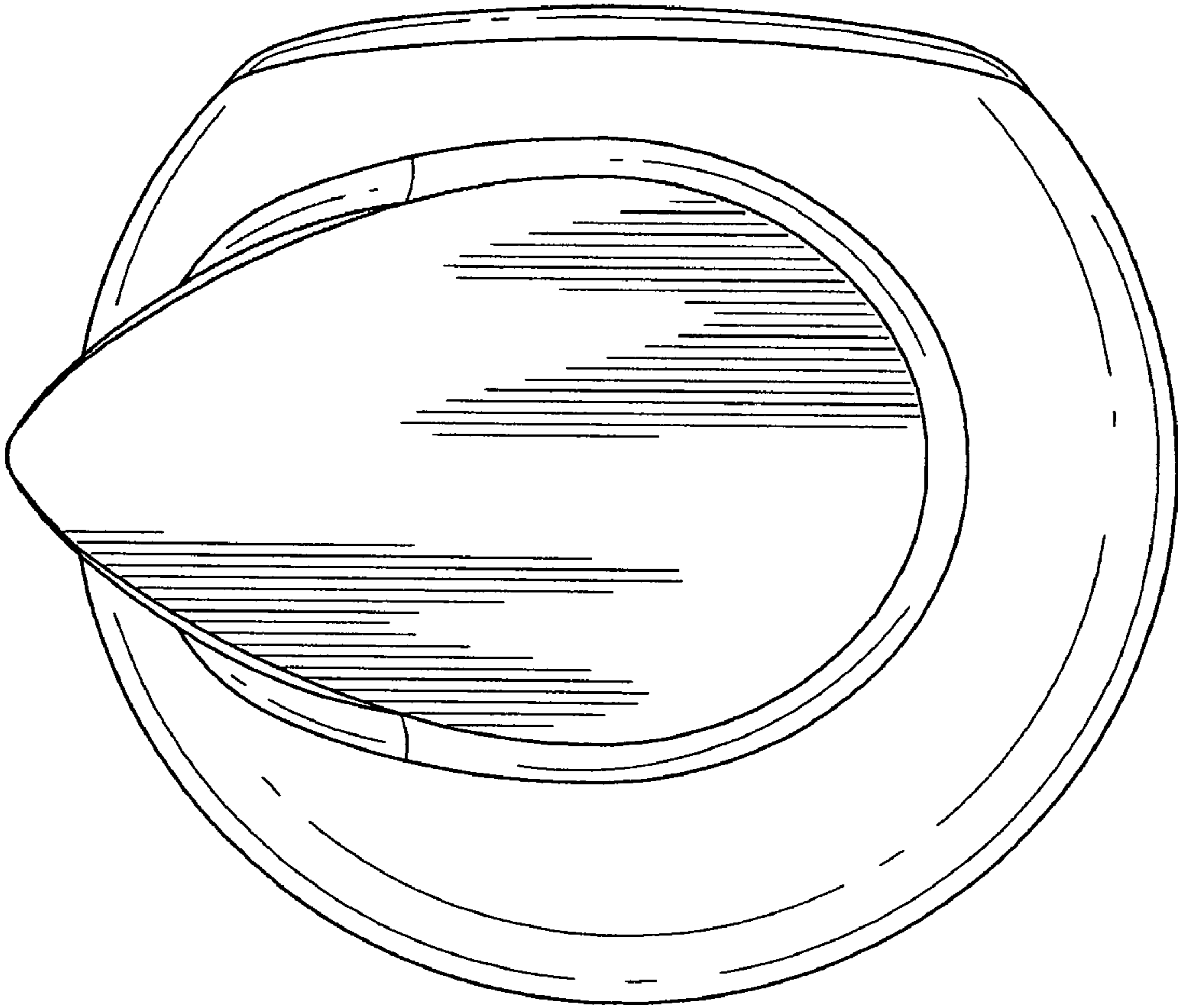


FIG. 7