



US00D640141S

(12) **United States Design Patent**
Chapin

(10) **Patent No.:** **US D640,141 S**
(45) **Date of Patent:** **** Jun. 21, 2011**

- (54) **COUNTERSINK GROOVE COVER ON A BEVERAGE CAN**
- (76) Inventor: **Barry W. Chapin**, Westborough, MA (US)
- (**) Term: **14 Years**
- (21) Appl. No.: **29/365,508**
- (22) Filed: **Jul. 9, 2010**
- (51) **LOC (9) Cl.** **09-02**
- (52) **U.S. Cl.** **D9/772; D9/434**
- (58) **Field of Classification Search** D9/780, D9/778, 772, 763, 756, 556, 529, 518, 504, D9/503, 454, 450, 449, 447, 440, 438, 435, D9/434, 428, 425, 424; D7/584, 392.1, 549, D7/557, 601, 630, 396.2; 229/123.1; 222/556; 220/906, 806, 716, 713, 711, 359.3, 359.1, 220/285, 273, 265, 259.2-259.4, 258.2, 257.1, 220/254.4; 215/256, 249, 232, 216; 206/530
See application file for complete search history.

(56) **References Cited**

U.S. PATENT DOCUMENTS

D126,200	S	*	4/1941	Eisenburg	D9/434
2,693,685	A		11/1954	Stafford		
2,812,886	A		11/1957	Weinstein		
3,693,829	A		9/1972	Price		
3,894,650	A		7/1975	Crump		
4,084,525	A		4/1978	Booth		

(Continued)

Primary Examiner — Susan Bennett Hattan
(74) *Attorney, Agent, or Firm* — Chapin IP Law, LLC; Barry W. Chapin, Esq.

(57) **CLAIM**
The ornamental design for a countersink groove cover on a beverage can, substantially as shown.

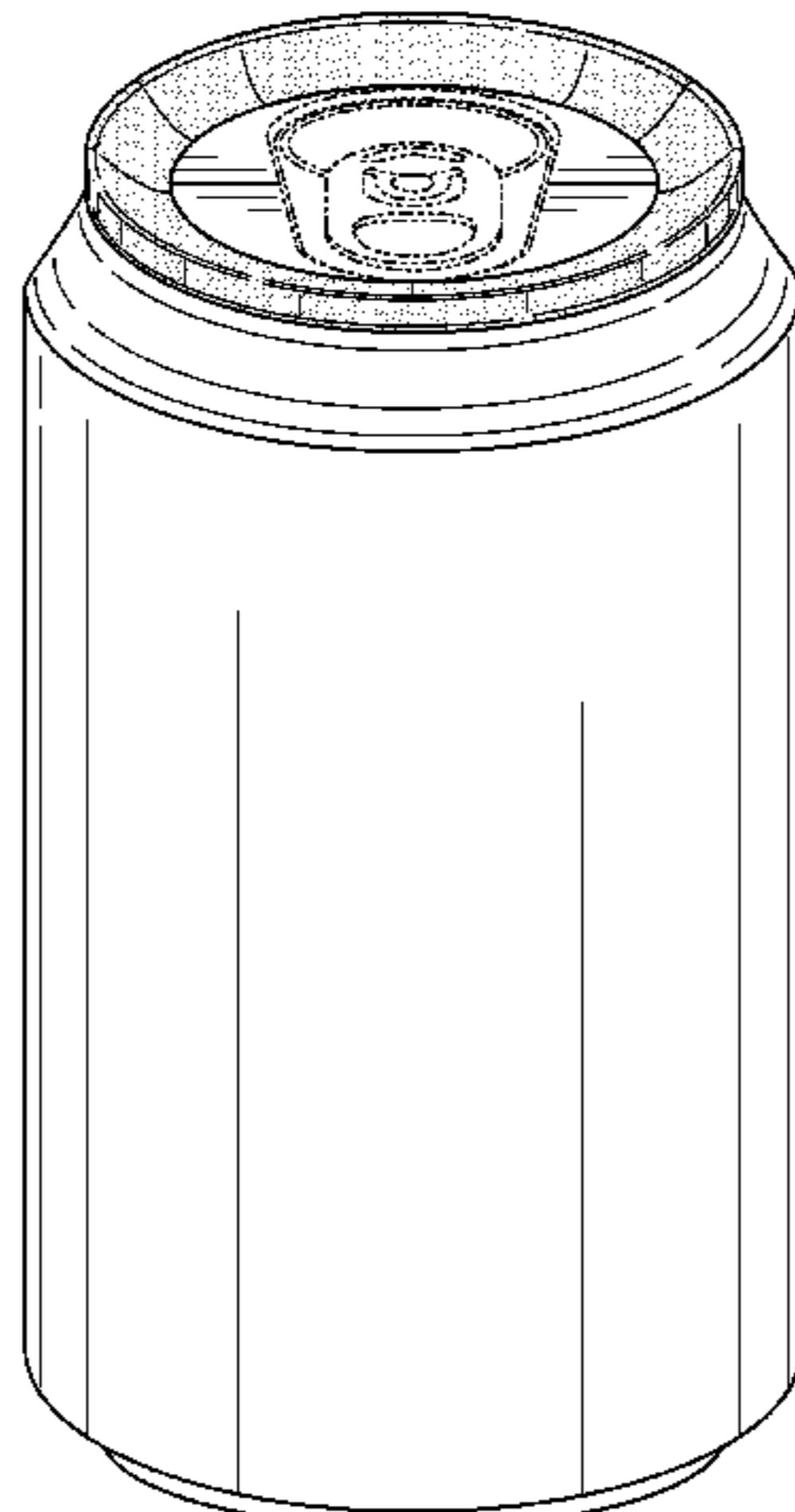
DESCRIPTION

FIG. 1 is a perspective view of the countersink groove cover on a beverage can according to a first embodiment;

FIG. 2 is top view of the countersink groove cover on a beverage can according to a first embodiment;
 FIG. 3 is bottom view of the countersink groove cover on a beverage can according to a first embodiment;
 FIG. 4 is side view of the countersink groove cover on a beverage can according to a first embodiment;
 FIG. 5 is cross section profile cutaway view of the countersink groove cover on a beverage can according to a first embodiment;
 FIG. 6 is a perspective view of the countersink groove cover on a beverage can according to a second embodiment;
 FIG. 7 is top view of the countersink groove cover on a beverage can according to a second embodiment;
 FIG. 8 is bottom view of the countersink groove cover on a beverage can according to a second embodiment;
 FIG. 9 is side view of the countersink groove cover on a beverage can according to a second embodiment;
 FIG. 10 is cross section profile cutaway view of the countersink groove cover on a beverage can according to a second embodiment;
 FIG. 11 is a perspective view of the countersink groove cover on a beverage can according to a third embodiment;
 FIG. 12 is top view of the countersink groove cover on a beverage can according to a third embodiment;
 FIG. 13 is bottom view of the countersink groove cover on a beverage can according to a third embodiment;
 FIG. 14 is side view of the countersink groove cover on a beverage can according to a third embodiment;
 FIG. 15 is cross section profile cutaway view of the countersink groove cover on a beverage can according to a third embodiment;
 FIG. 16 is a perspective view of the countersink groove cover on a beverage can according to a fourth embodiment;
 FIG. 17 is top view of the countersink groove cover on a beverage can according to a fourth embodiment;
 FIG. 18 is bottom view of the countersink groove cover on a beverage can according to a fourth embodiment;
 FIG. 19 is side view of the countersink groove cover on a beverage can according to a fourth embodiment; and,
 FIG. 20 is cross section profile cutaway view of the countersink groove cover on a beverage can according to a fourth embodiment.

The broken lines in the figures that are adjacent to the shaded areas indicate the bounds of the claimed design; all other broken lines depict environmental subject matter. All broken lines form no part of the claimed design.

1 Claim, 16 Drawing Sheets



US D640,141 S

Page 2

U.S. PATENT DOCUMENTS

4,087,018	A	5/1978	Tebutt		6,425,493	B1	7/2002	Gardiner	
4,316,560	A *	2/1982	Carter	222/567	6,450,358	B1	9/2002	Berro	
4,579,257	A	4/1986	Brandlein		6,460,723	B2	10/2002	Nguyen et al.	
4,679,702	A	7/1987	MacCarone et al.		D471,453	S *	3/2003	Stodd	D9/434
4,741,450	A	5/1988	Braude		6,626,314	B1	9/2003	McHenry et al.	
4,749,100	A	6/1988	Eberhart		6,637,616	B2	10/2003	Couto	
4,752,016	A	6/1988	Eads		6,719,166	B2	4/2004	Ceolin et al.	
4,815,628	A	3/1989	Wehnert, III		6,729,495	B2	5/2004	Gardiner	
D300,607	S *	4/1989	Ball	D9/438	6,817,819	B2	11/2004	Olson et al.	
4,834,258	A	5/1989	Root		D507,485	S *	7/2005	Fields	D9/438
4,917,258	A	4/1990	Boyd et al.		6,915,553	B2	7/2005	Turner et al.	
4,969,570	A	11/1990	Harvey, Sr.		7,017,769	B1	3/2006	Talman	
5,105,964	A	4/1992	Heath		D522,860	S	6/2006	LaFortune	
5,119,955	A	6/1992	Granofsky		7,100,789	B2	9/2006	Nguyen et al.	
5,131,554	A	7/1992	Kuo		7,108,469	B2	9/2006	Jenkins	
5,244,111	A	9/1993	Merom		D559,680	S *	1/2008	Jacober et al.	D9/438
5,273,176	A	12/1993	Diaz		7,370,774	B2	5/2008	Watson et al.	
5,285,924	A	2/1994	Morris		D603,218	S *	11/2009	Hollinger	D7/412
5,292,022	A	3/1994	Blanco		7,644,833	B2	1/2010	Turner et al.	
5,645,190	A	7/1997	Goldberg		7,757,887	B2	7/2010	Gardiner	
5,647,497	A	7/1997	Labbe		D625,190	S *	10/2010	Pontes	D9/454
5,692,633	A	12/1997	Gordon		2002/0158071	A1	10/2002	Chasteen et al.	
D410,844	S *	6/1999	Hurst	D9/438	2003/0102313	A1	6/2003	Weber	
5,934,497	A	8/1999	Chang et al.		2004/0020934	A1	2/2004	Olsen	
5,967,363	A	10/1999	Allen		2004/0206764	A1	10/2004	Gardiner	
5,996,832	A	12/1999	Nieuwoudt		2006/0070994	A1	4/2006	Tiikkainen	
6,065,634	A	5/2000	Brifcani et al.		2007/0187410	A1	8/2007	Legorreta et al.	
6,073,797	A	6/2000	Barous		2008/0050207	A1	2/2008	Turner et al.	
6,089,072	A	7/2000	Fields		2008/0217347	A1	9/2008	Markaj	
6,202,881	B1	3/2001	Chiag		2008/0257900	A1	10/2008	Turner et al.	
6,296,137	B1	10/2001	Bjornsen		2010/0243663	A1	9/2010	Jentzsch et al.	
6,321,927	B2	11/2001	Cavella						

* cited by examiner

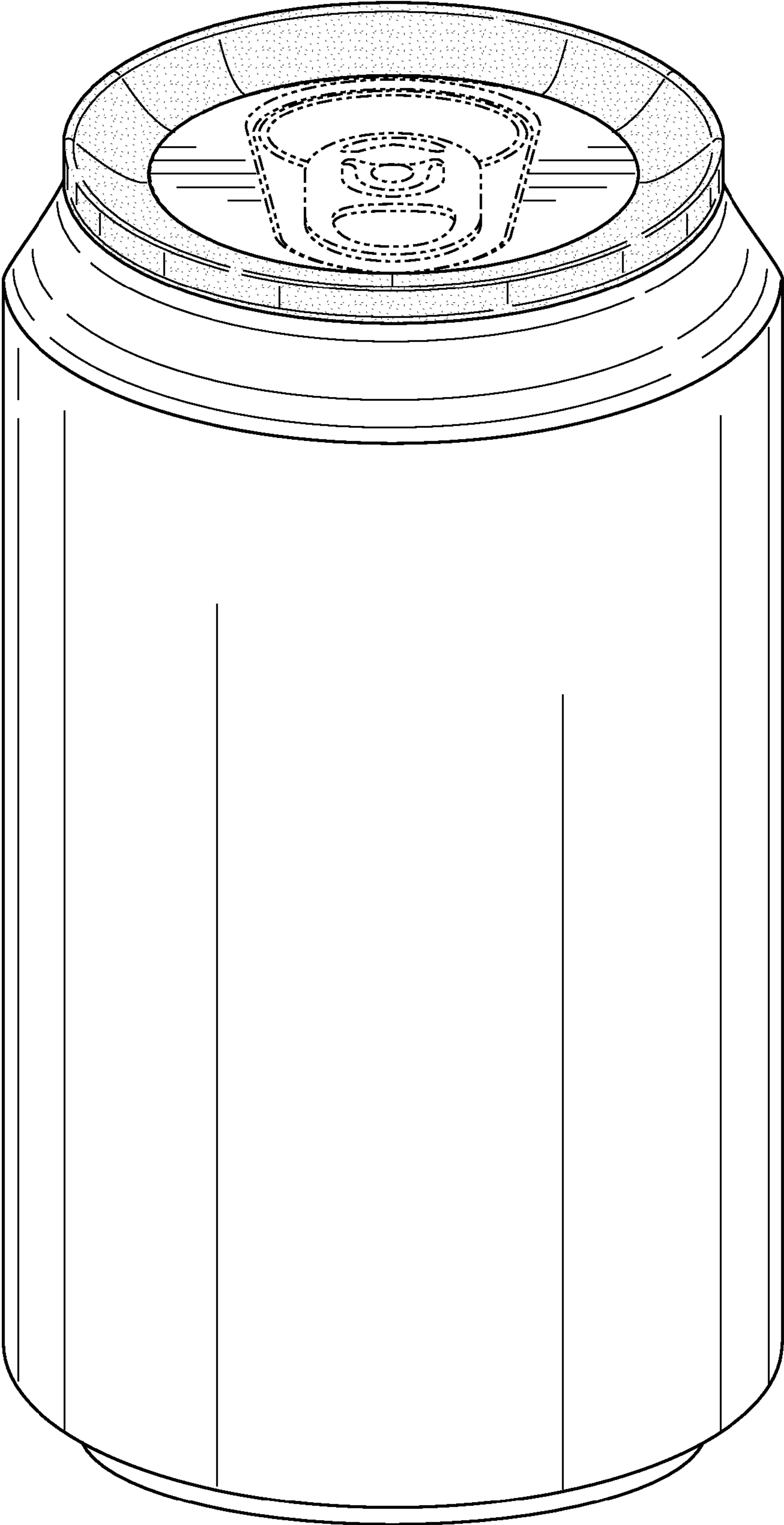


FIG. 1

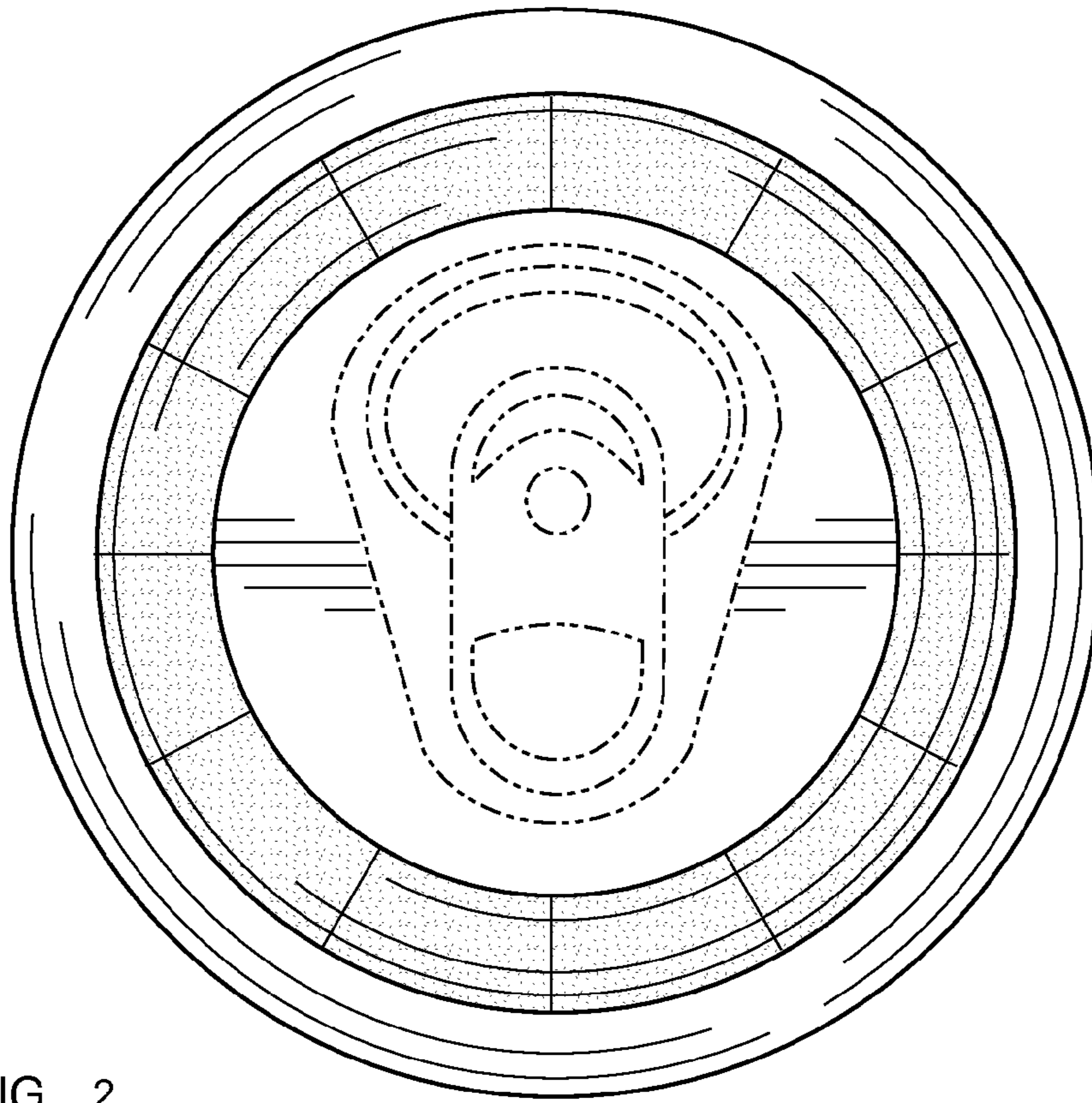


FIG. 2

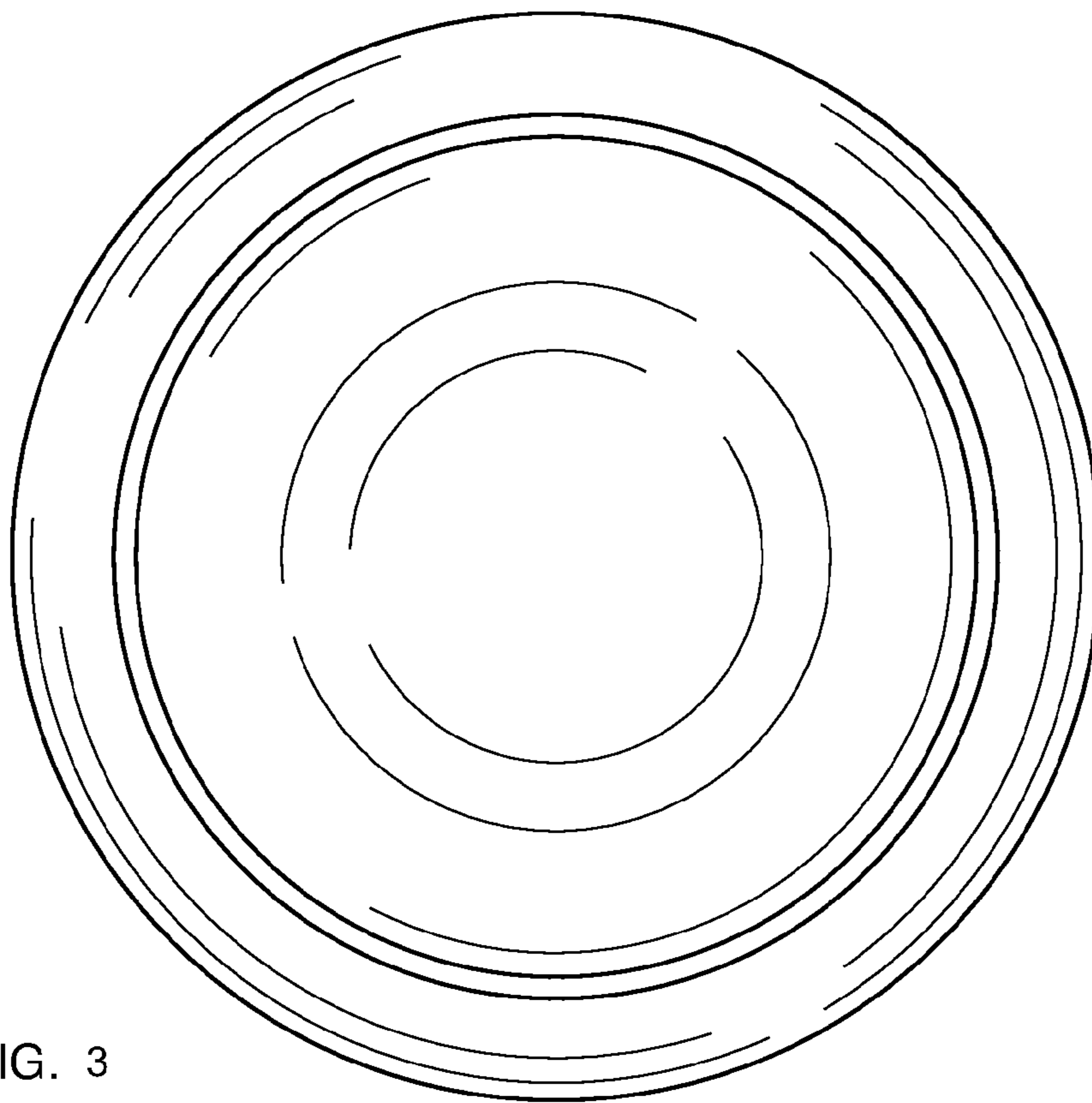


FIG. 3

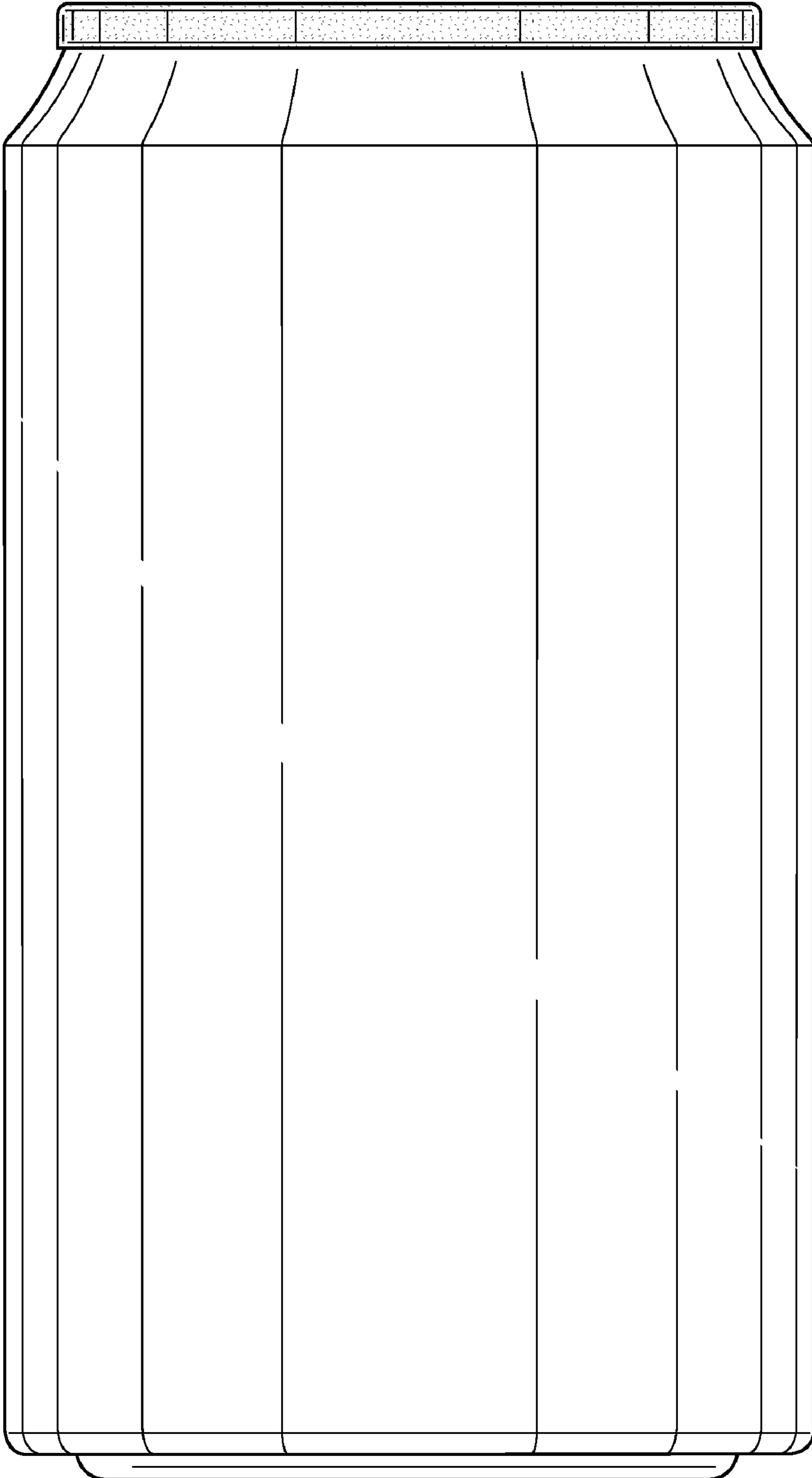


FIG. 4

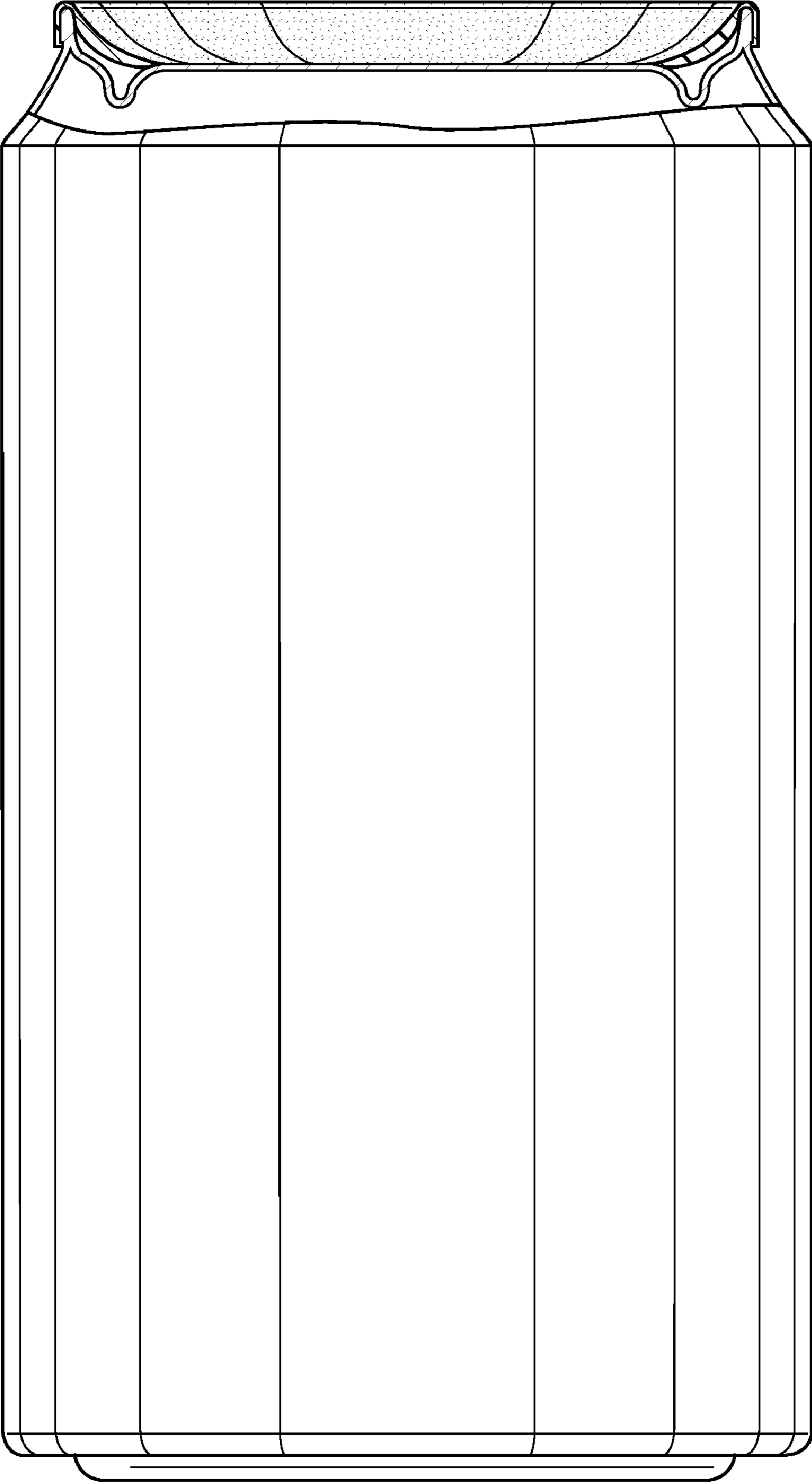


FIG. 5

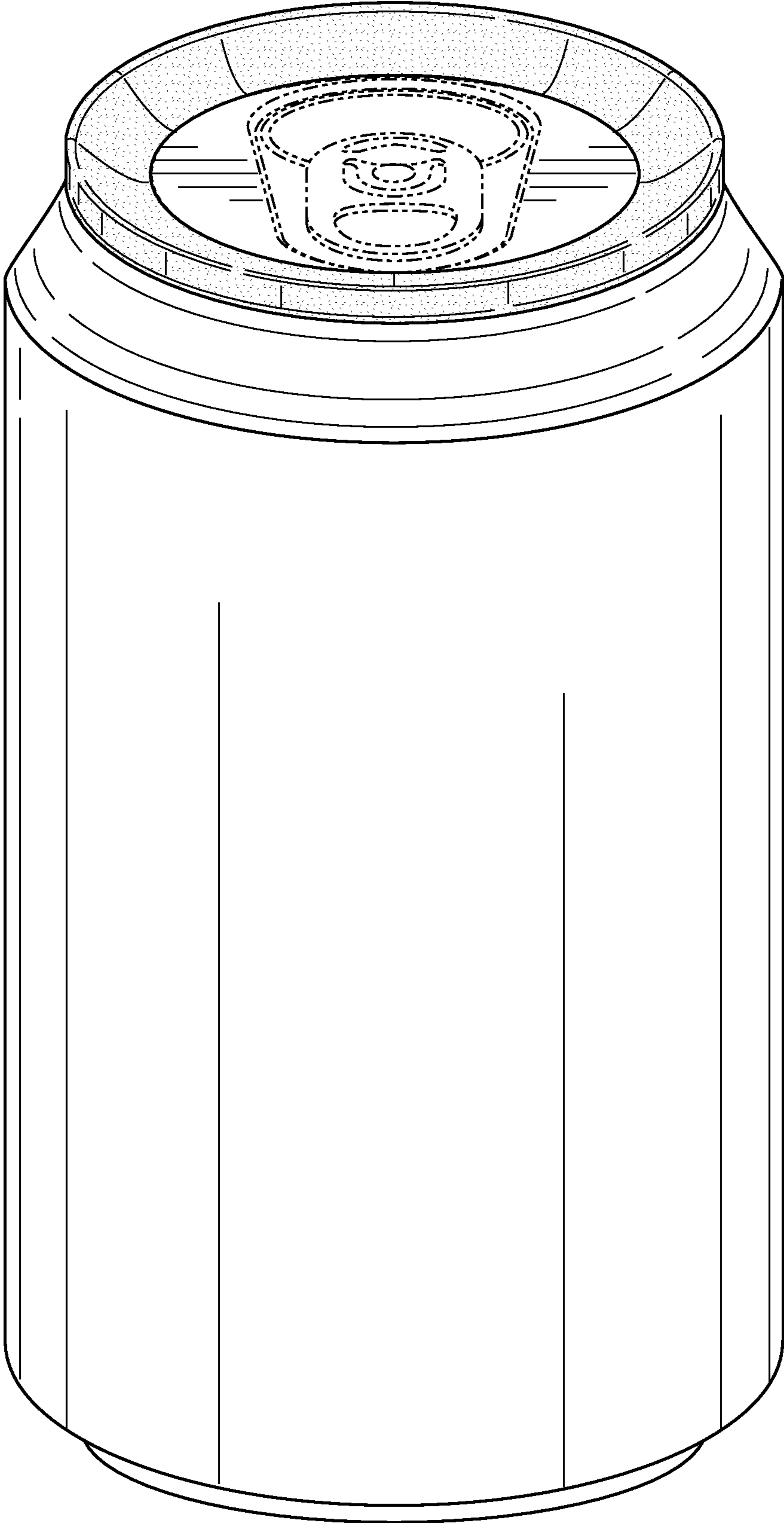


FIG. 6

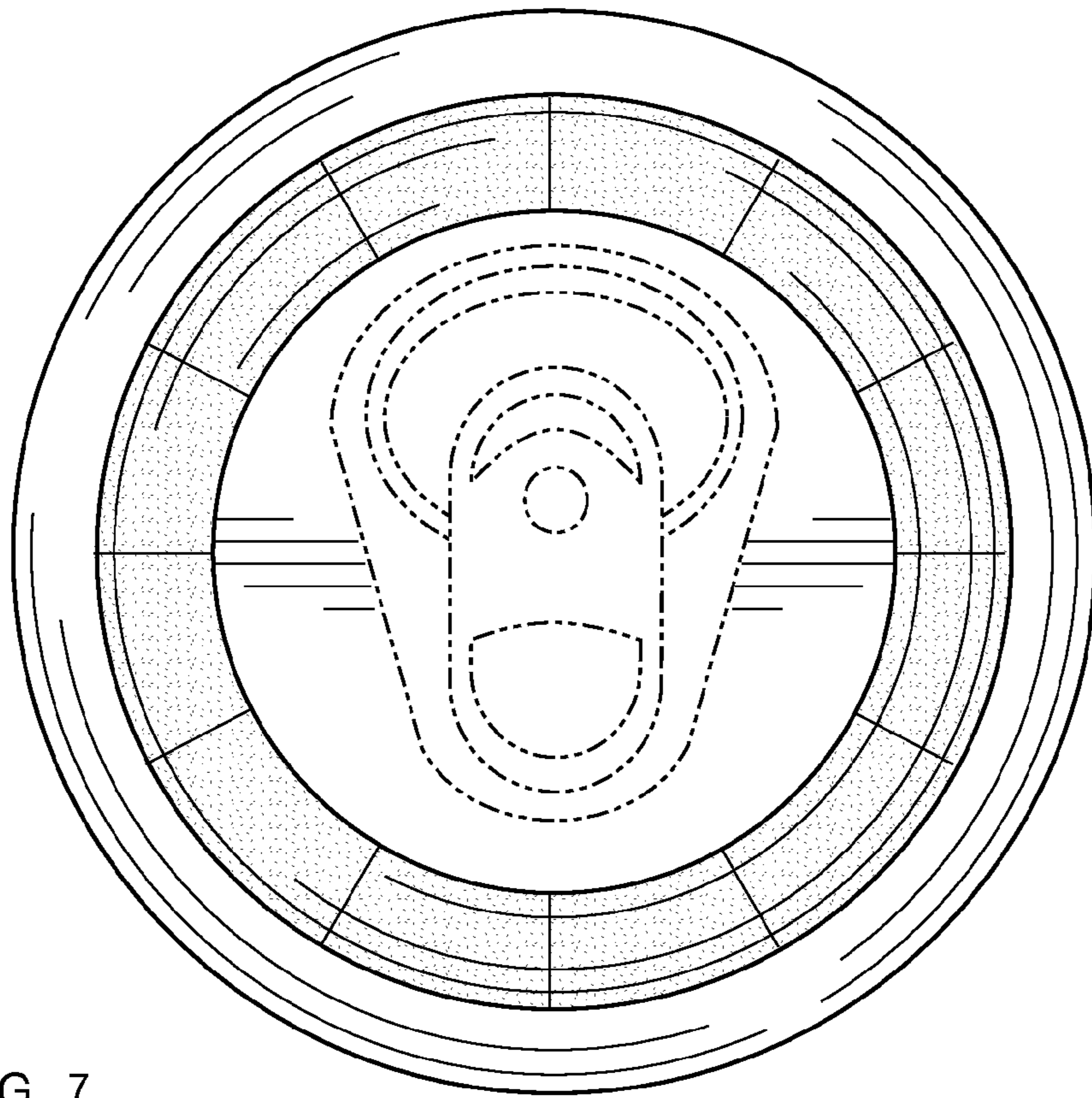


FIG. 7

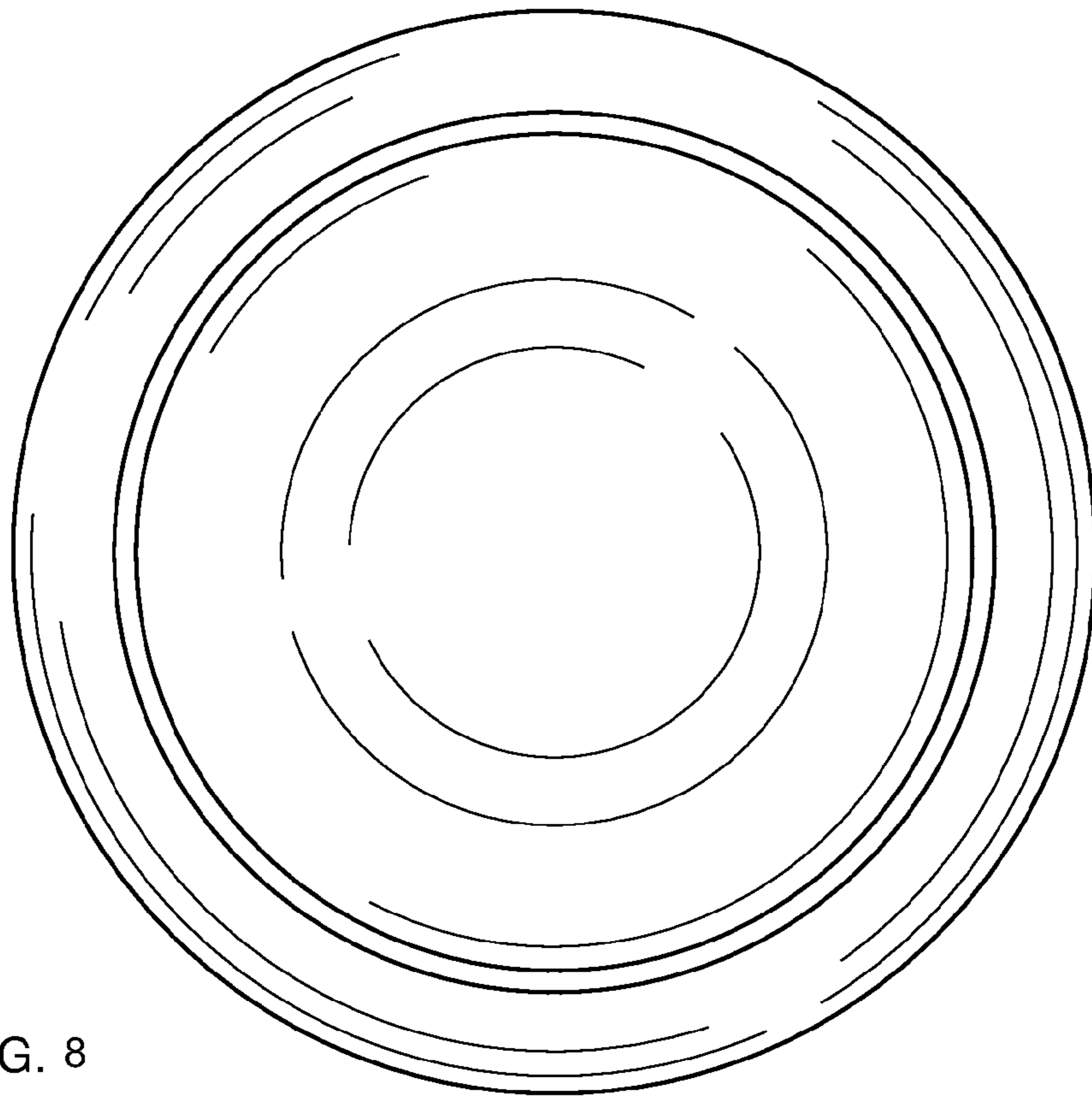


FIG. 8

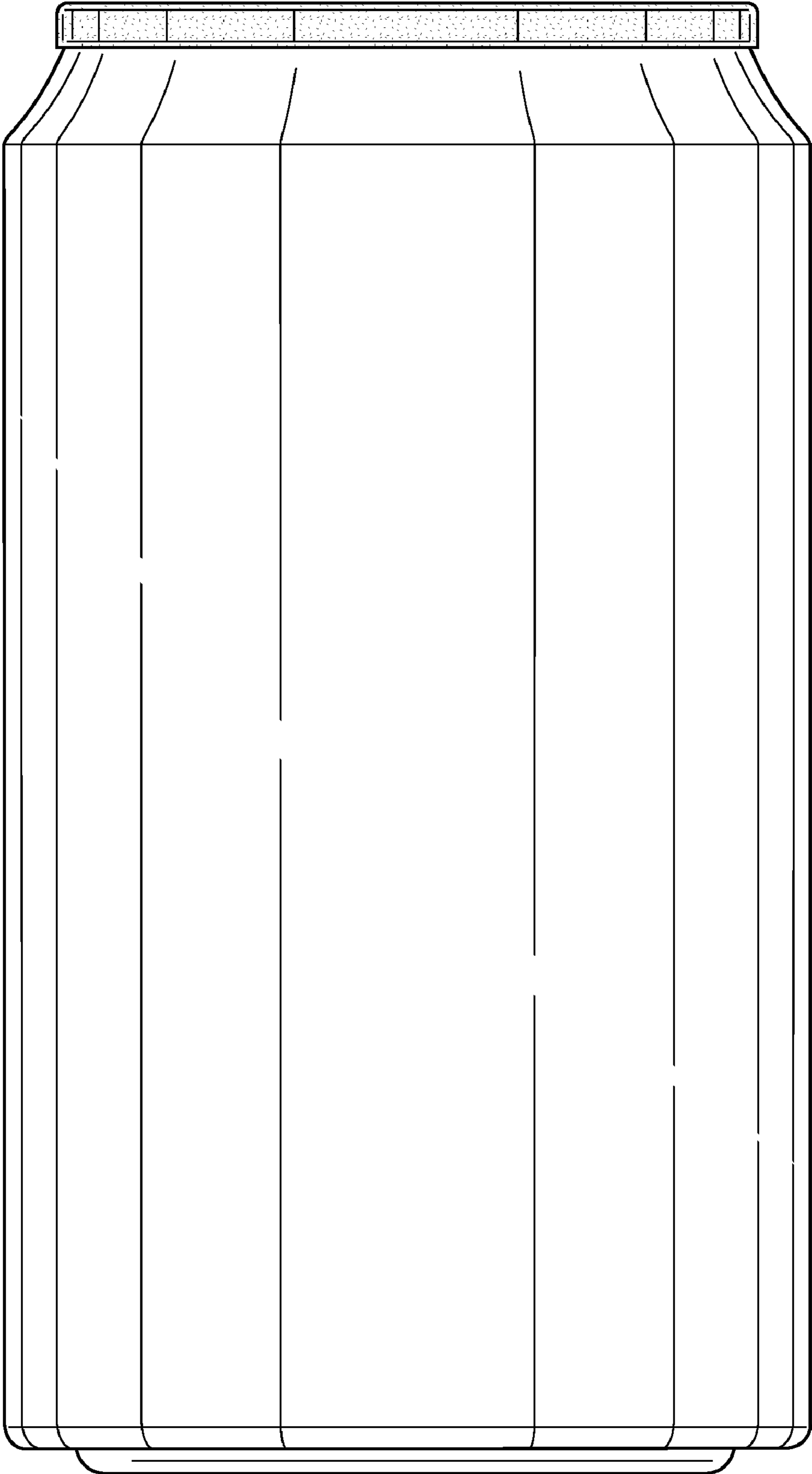


FIG. 9

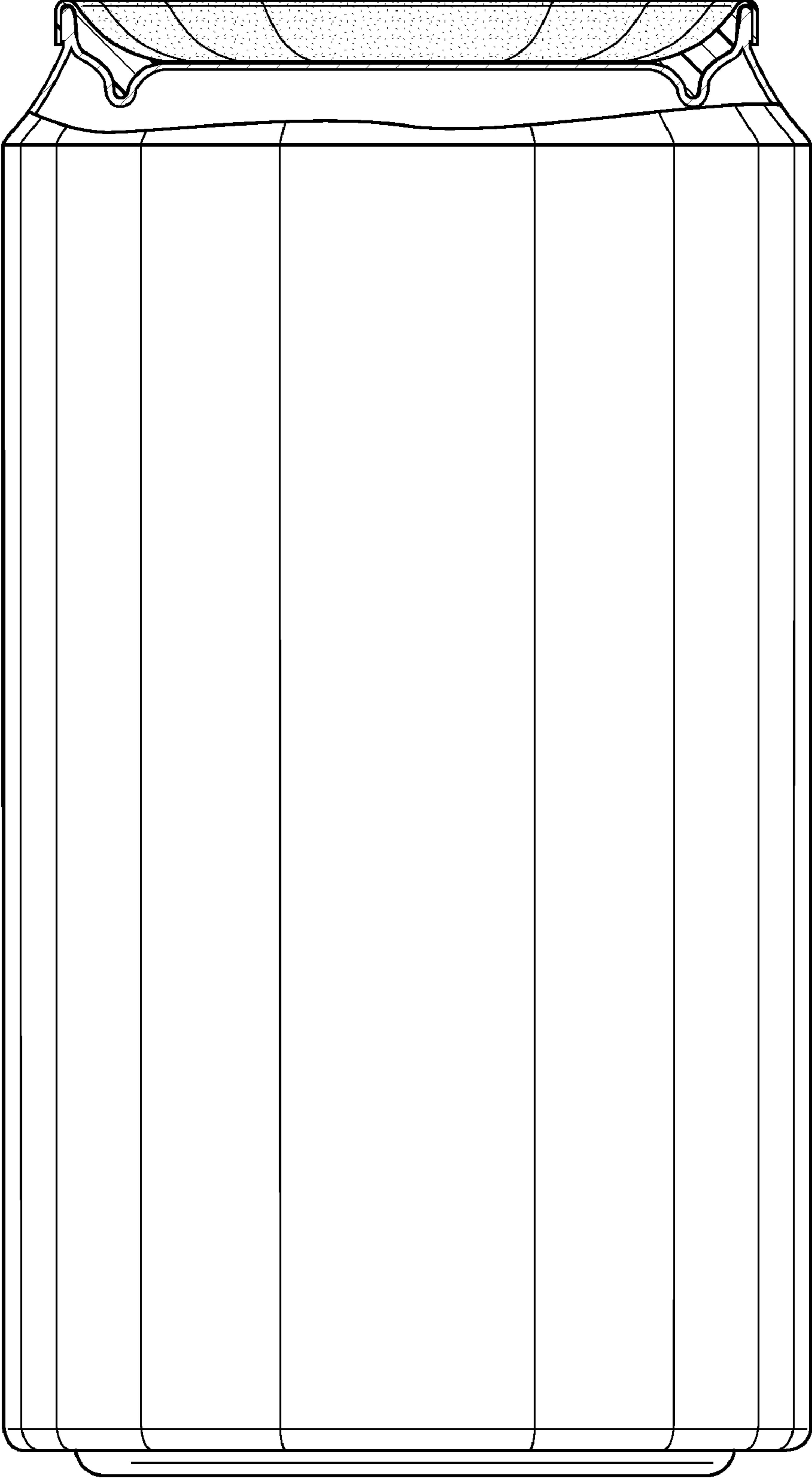


FIG. 10

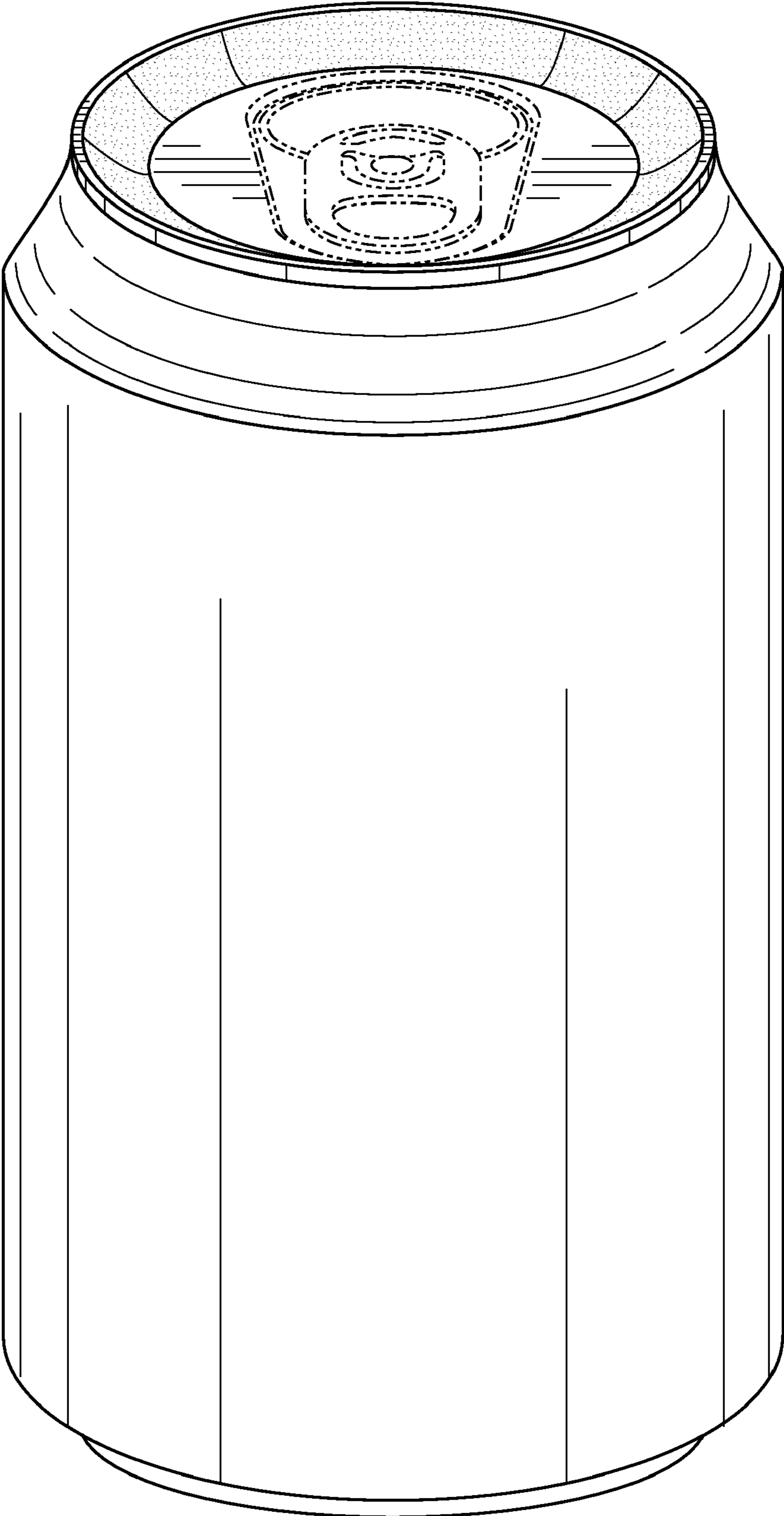


FIG. 11

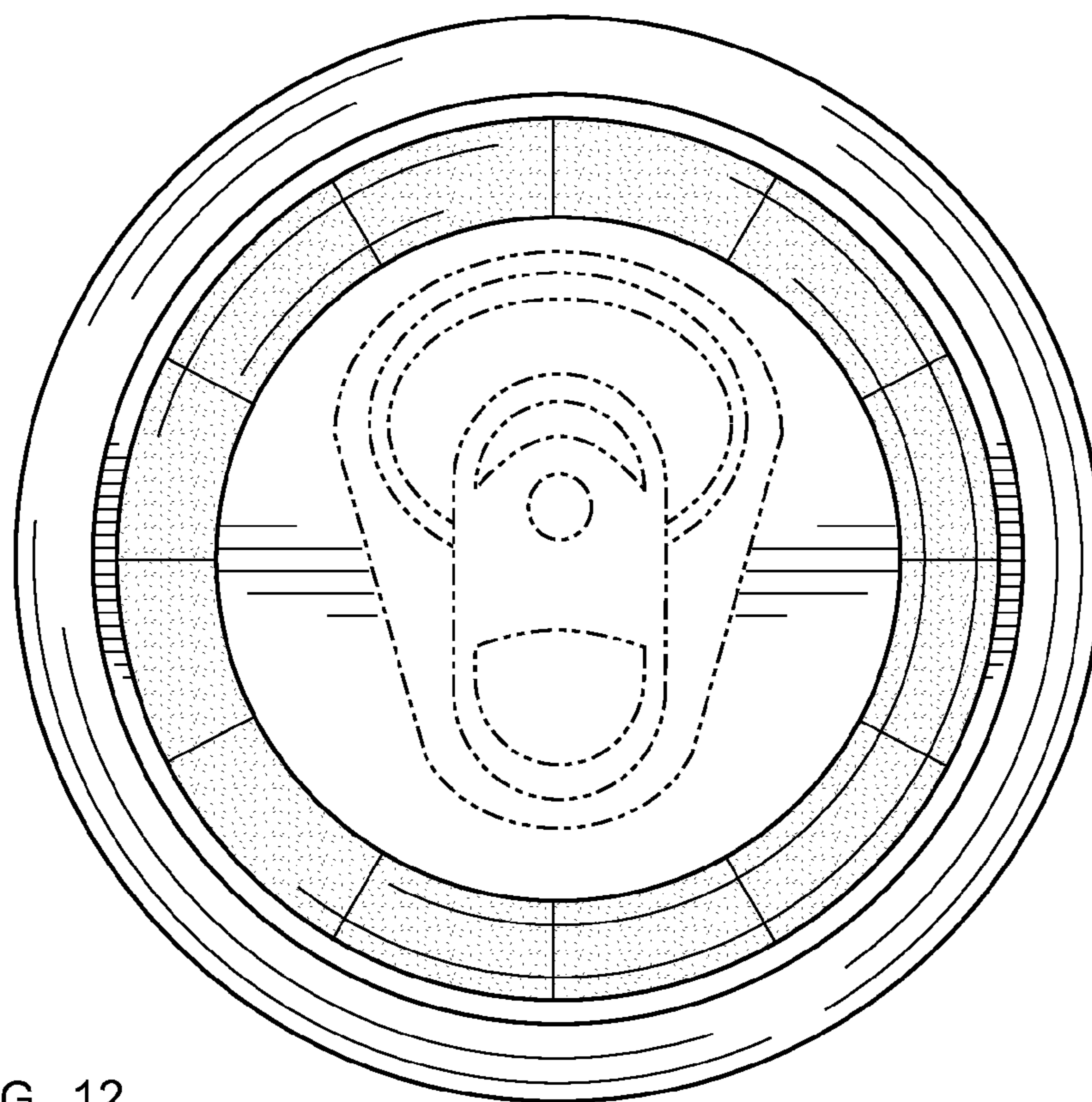


FIG. 12

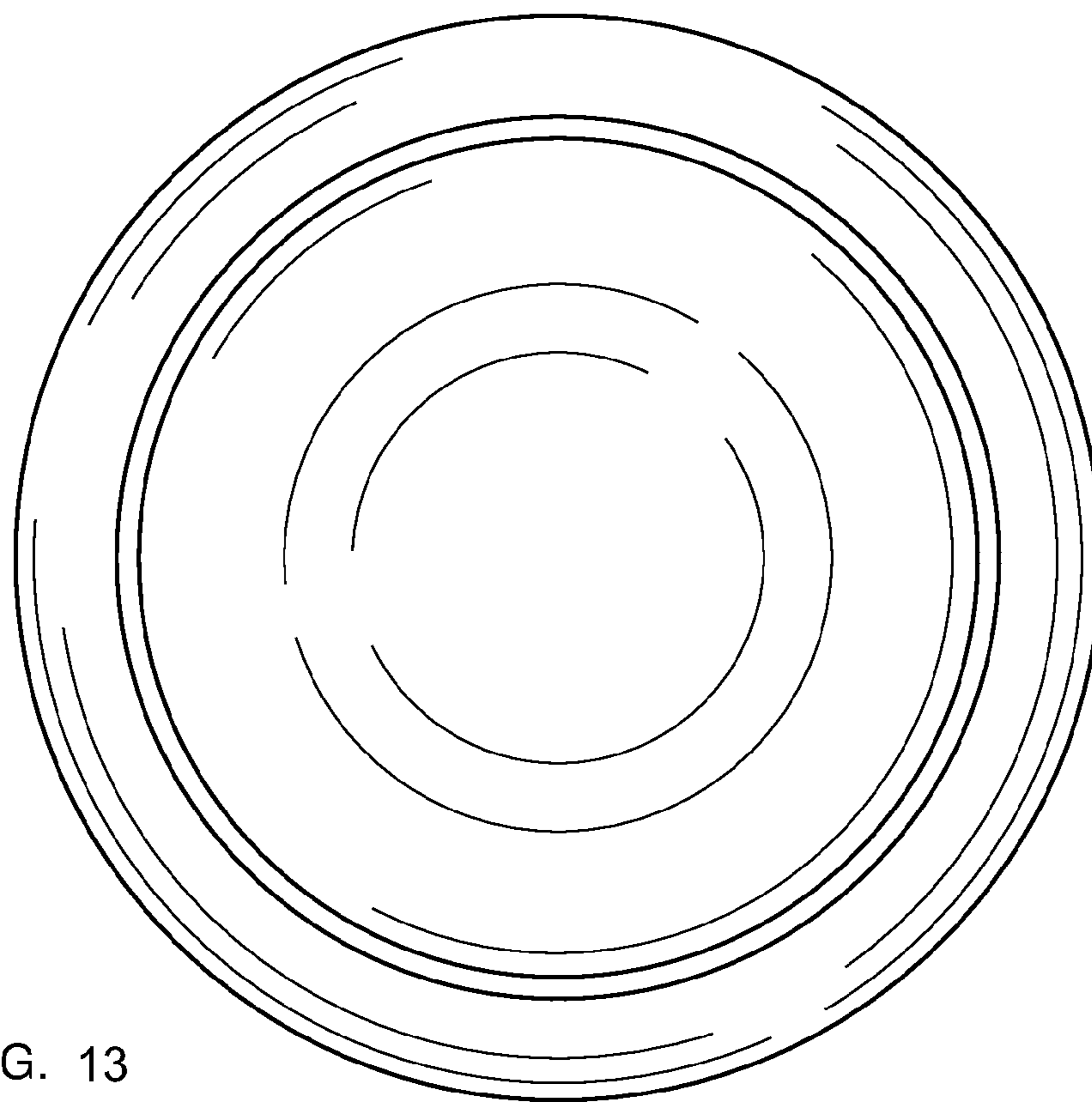


FIG. 13

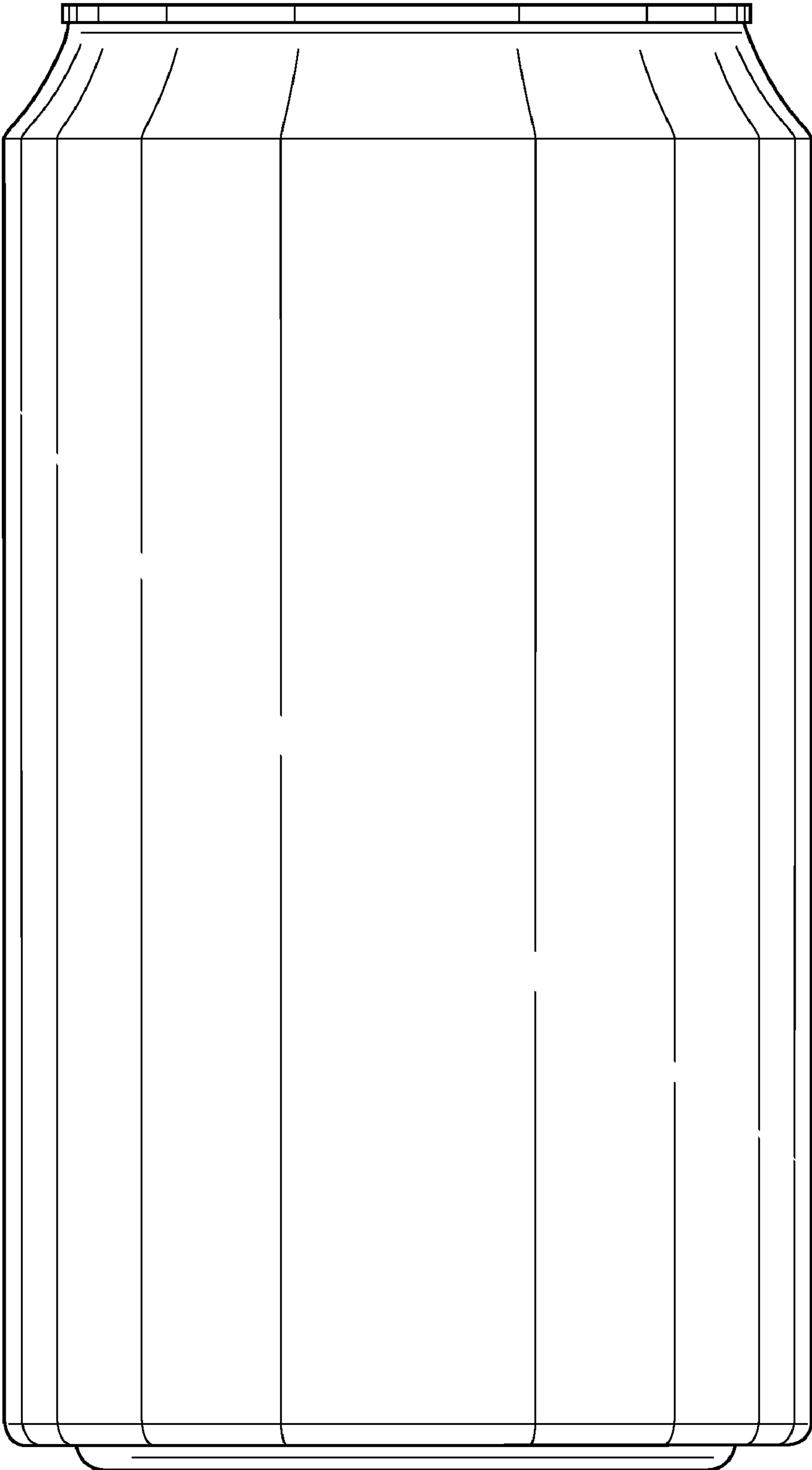


FIG. 14

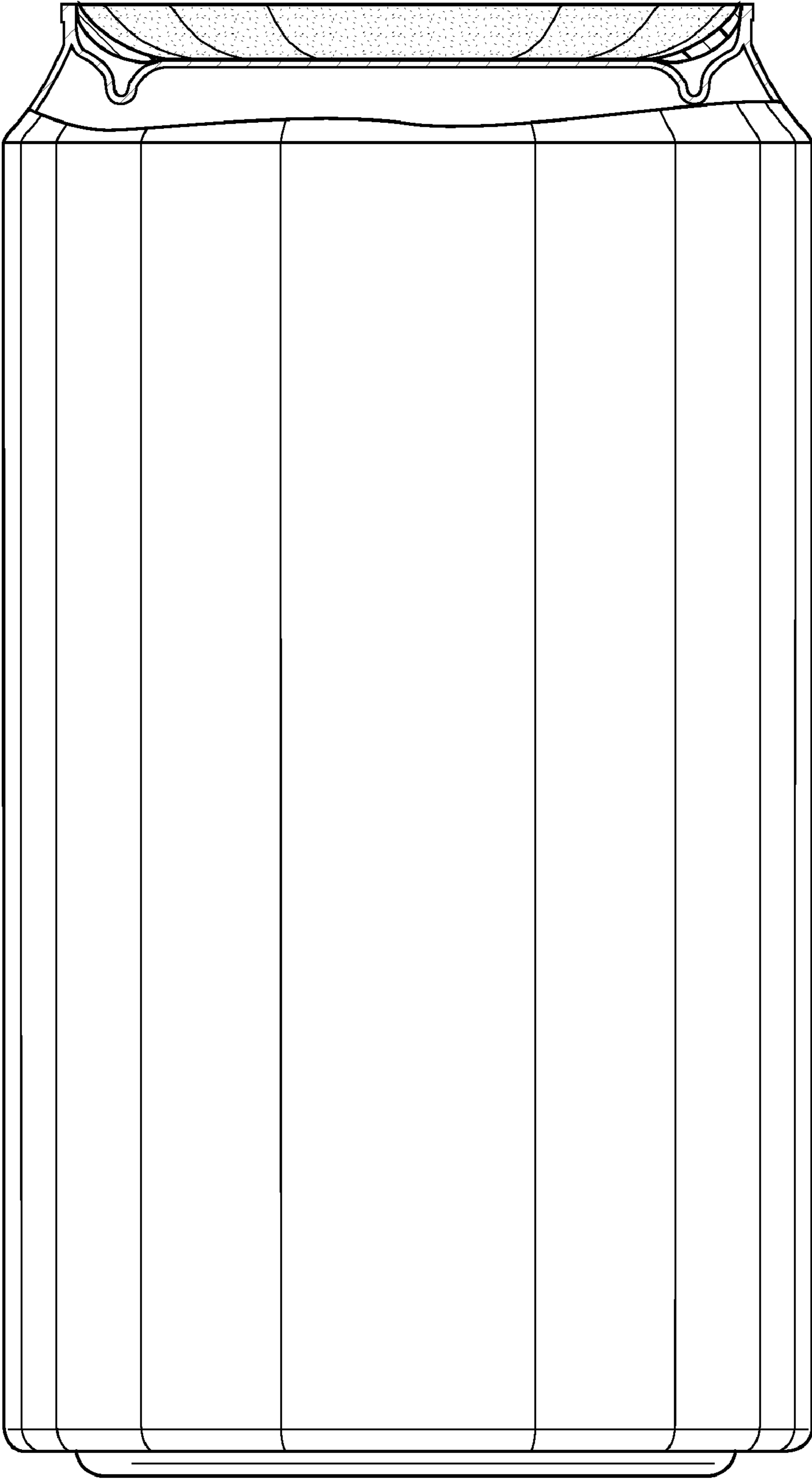


FIG. 15

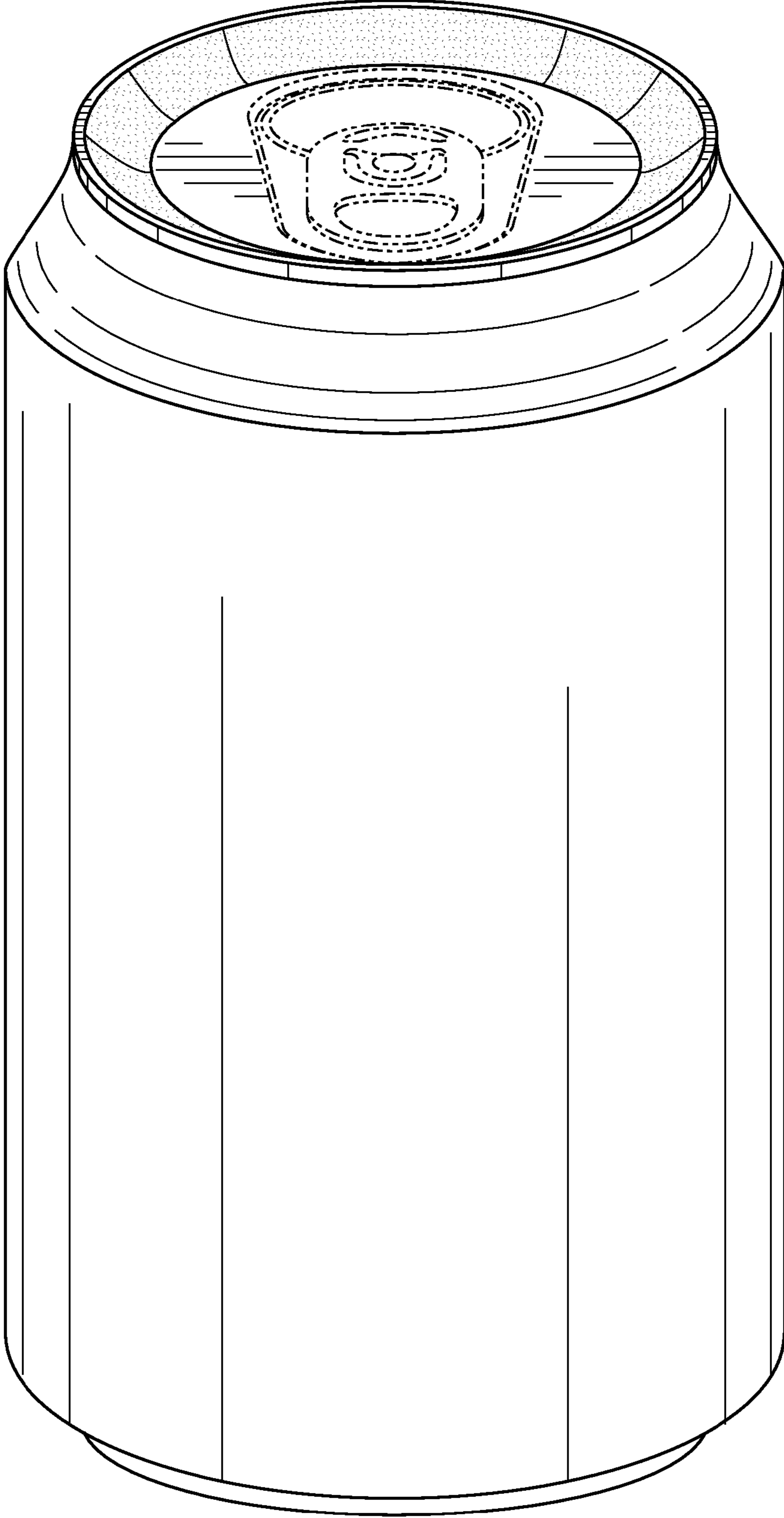


FIG. 16

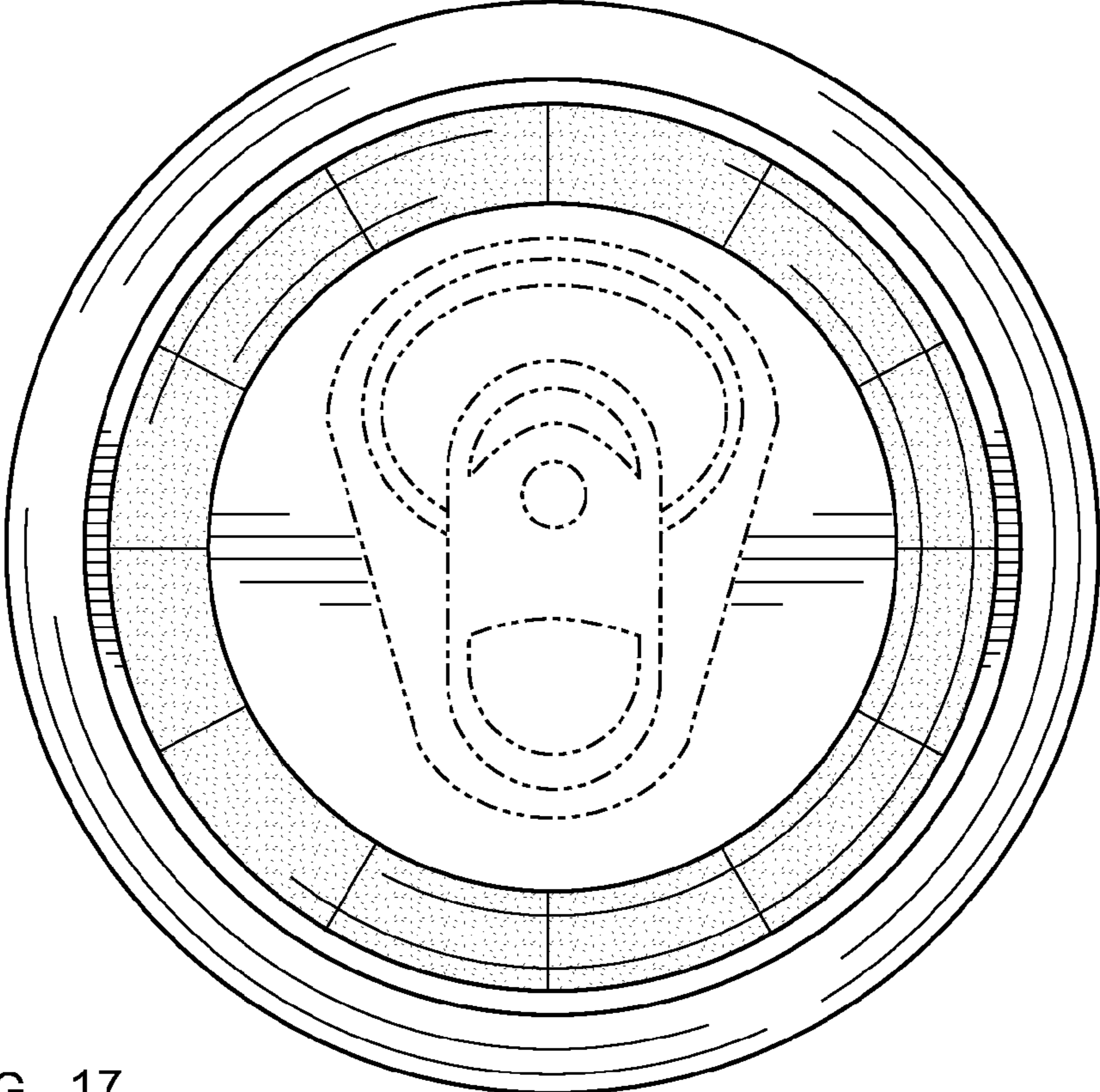


FIG. 17

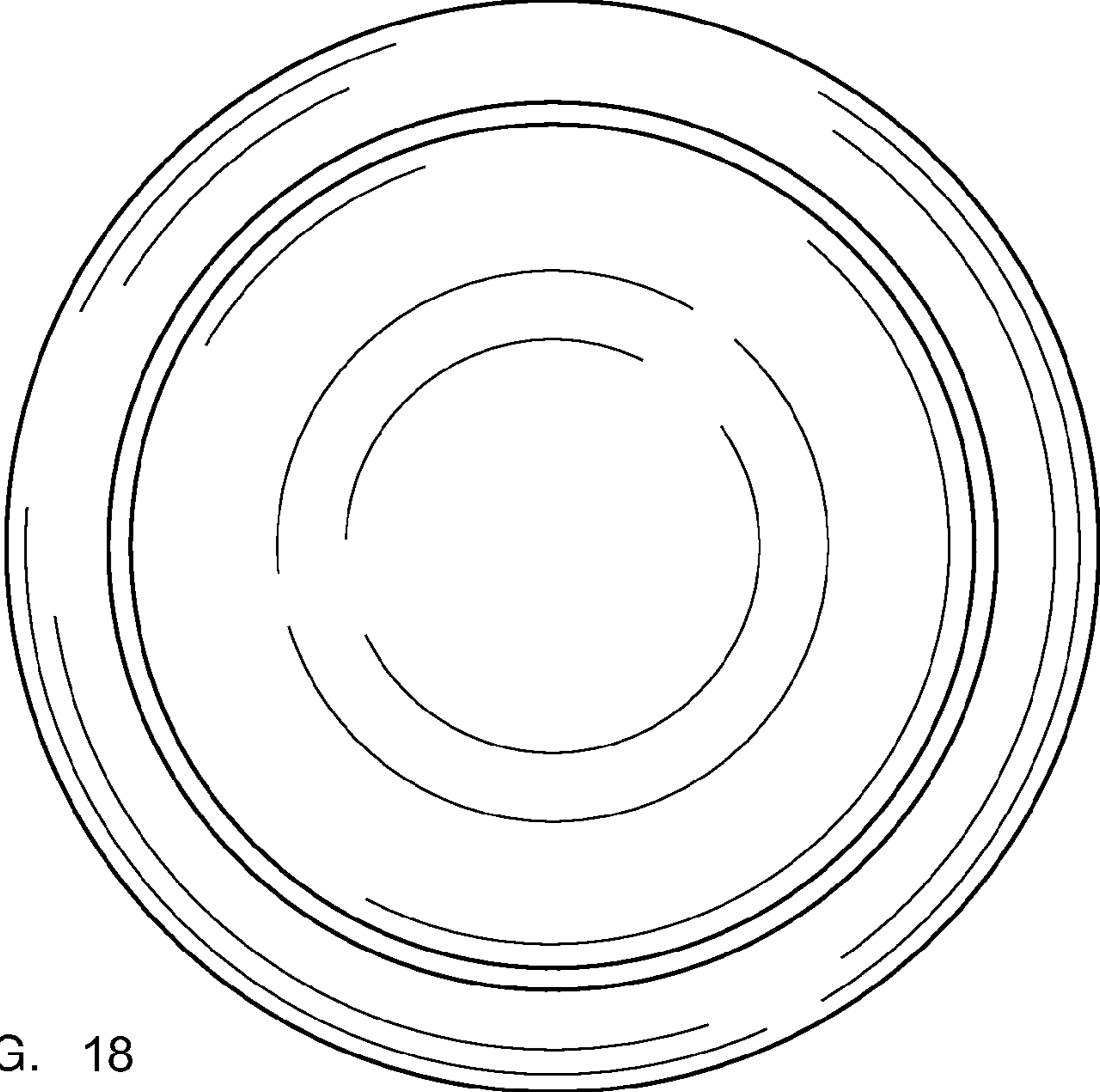


FIG. 18

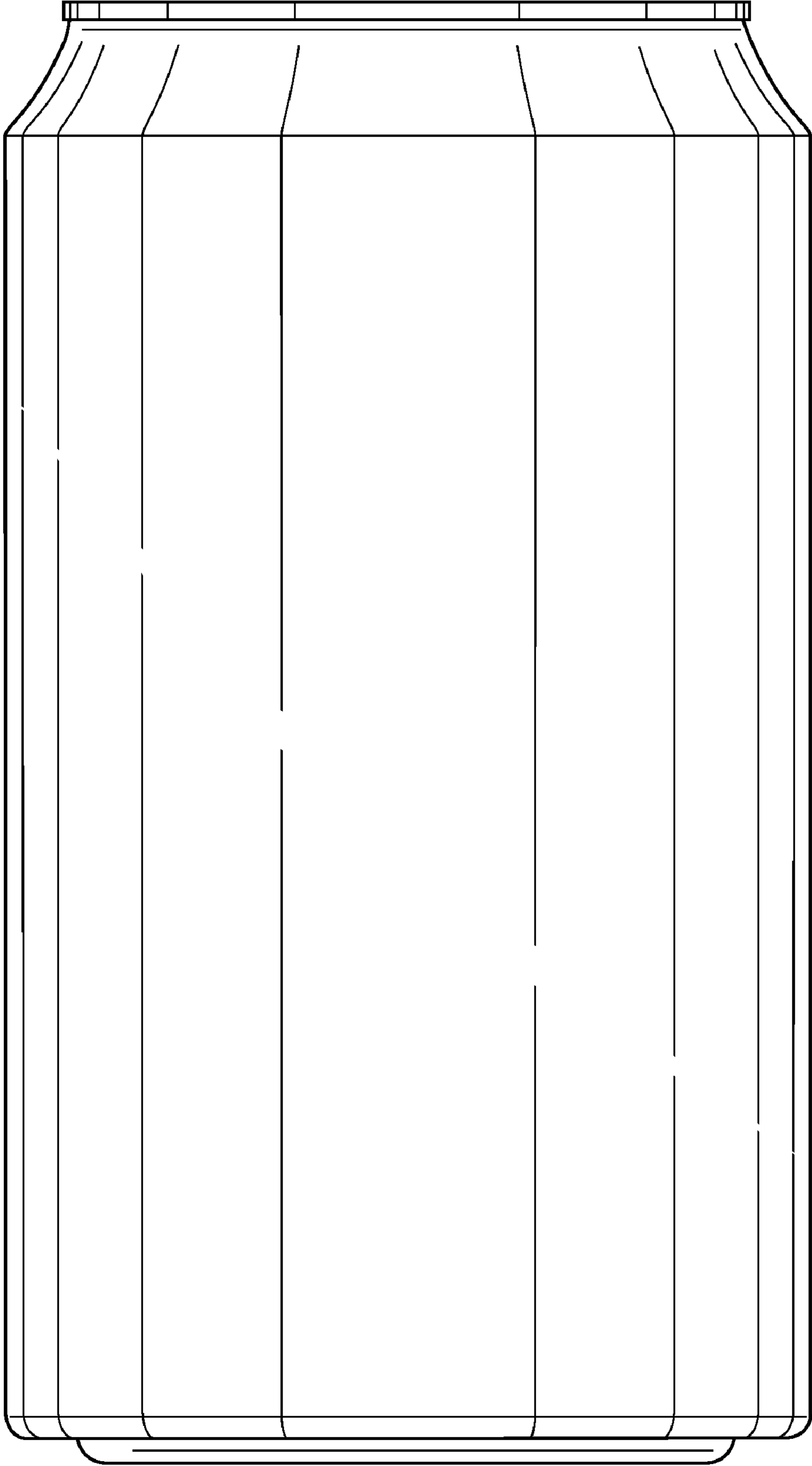


FIG. 19

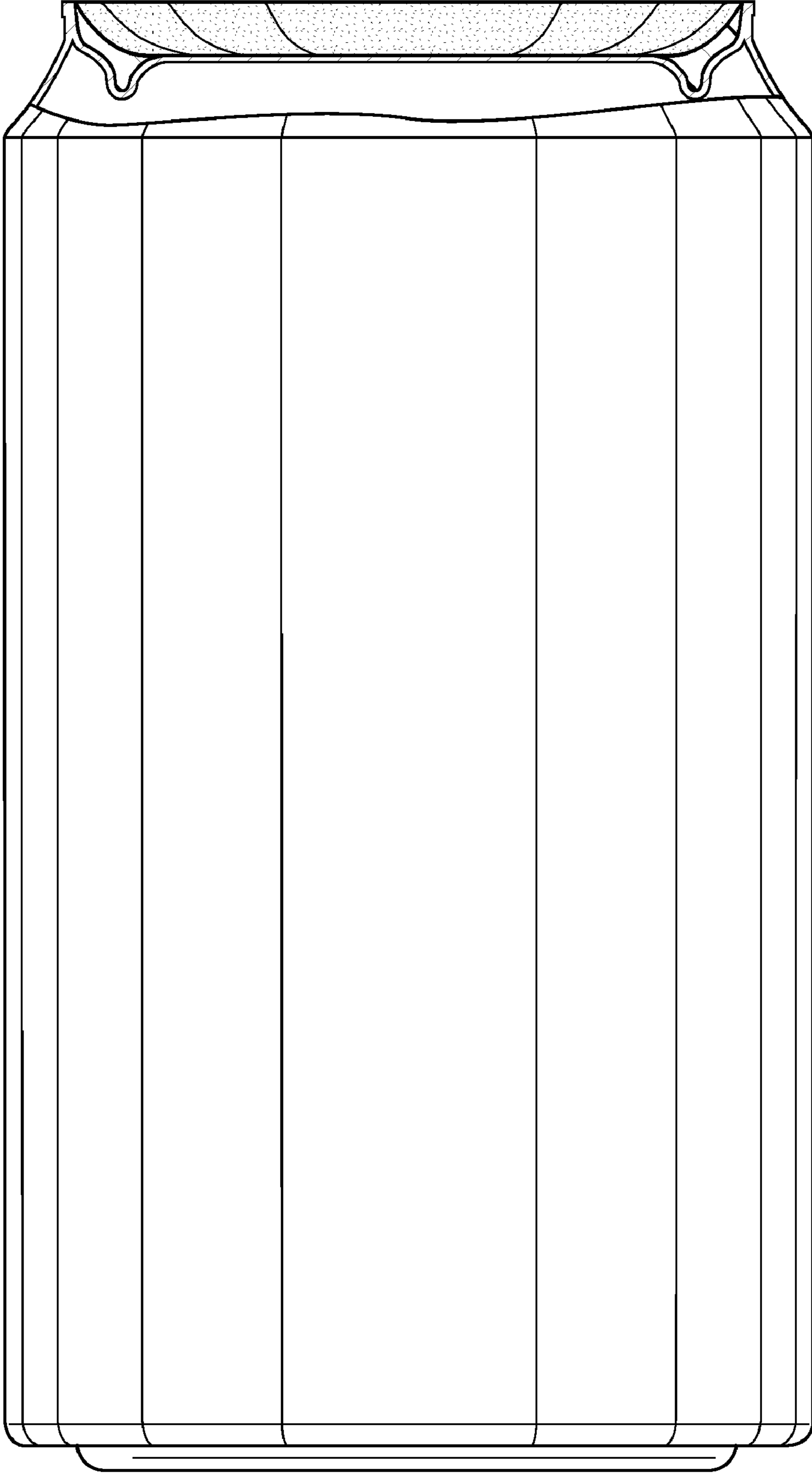


FIG. 20