



US00D640134S

(12) **United States Design Patent**
Rognard

(10) **Patent No.:** **US D640,134 S**
(45) **Date of Patent:** **** Jun. 21, 2011**

(54) **CLOSING MEANS FOR PACKAGING**

(75) Inventor: **Jean-Yves Rognard**, Marcy-sur-Anse (FR)

(73) Assignee: **Obrist Closures Switzerland GmbH** (CH)

(**) Term: **14 Years**

(21) Appl. No.: **29/369,823**

(22) Filed: **Sep. 14, 2010**

(30) **Foreign Application Priority Data**

Mar. 15, 2010 (EP) 001202584-0001

(51) **LOC (9) Cl.** **09-07**

(52) **U.S. Cl.** **D9/449; D9/447**

(58) **Field of Classification Search** 215/305, 215/306, 322; 220/260, 375, 810, 811; 222/492, 222/494, 521; D9/423, 438, 443, 446, 447, D9/449, 450, 453, 529, 560, 738; D7/392.1
See application file for complete search history.

(56) **References Cited**

U.S. PATENT DOCUMENTS

D362,186 S * 9/1995 Thanisch D9/446
D367,424 S * 2/1996 Thanisch D9/446
D480,305 S * 10/2003 Nusbaum et al. D9/447
D492,597 S * 7/2004 Norris et al. D9/442

D519,029 S * 4/2006 Hicks et al. D9/453
D530,611 S * 10/2006 Nusbaum et al. D9/449
D537,716 S * 3/2007 Smith D9/449
D540,189 S * 4/2007 Larocca D9/738
D556,575 S * 12/2007 Nusbaum et al. D9/449
D581,790 S * 12/2008 Hyde et al. D9/449
D582,276 S * 12/2008 Hyde et al. D9/453
D592,057 S * 5/2009 Guerin D9/449
D608,199 S * 1/2010 Gross D9/449
D610,454 S * 2/2010 Lohrman et al. D9/449
D612,729 S * 3/2010 Lohrman et al. D9/449
D625,605 S * 10/2010 Bardet D9/449

* cited by examiner

Primary Examiner — Susan Bennett Hattan

(74) *Attorney, Agent, or Firm* — Bradley Arant Boult Cummings LLP; T Gregory Peterson; Jeremy A Smith

(57) **CLAIM**

The ornamental design for a closing means for packaging, substantially as shown and described.

DESCRIPTION

FIG. 1 is a left perspective view of the closing means for packaging.

FIG. 2 is a right perspective view of the closing means for packaging.

FIG. 3 is a front view of the closing means for packaging.

FIG. 4 is a side view of the closing means for packaging.

FIG. 5 is a top view of the closing means for packaging; and,

FIG. 6 is a rear view of the closing means for packaging.

1 Claim, 3 Drawing Sheets

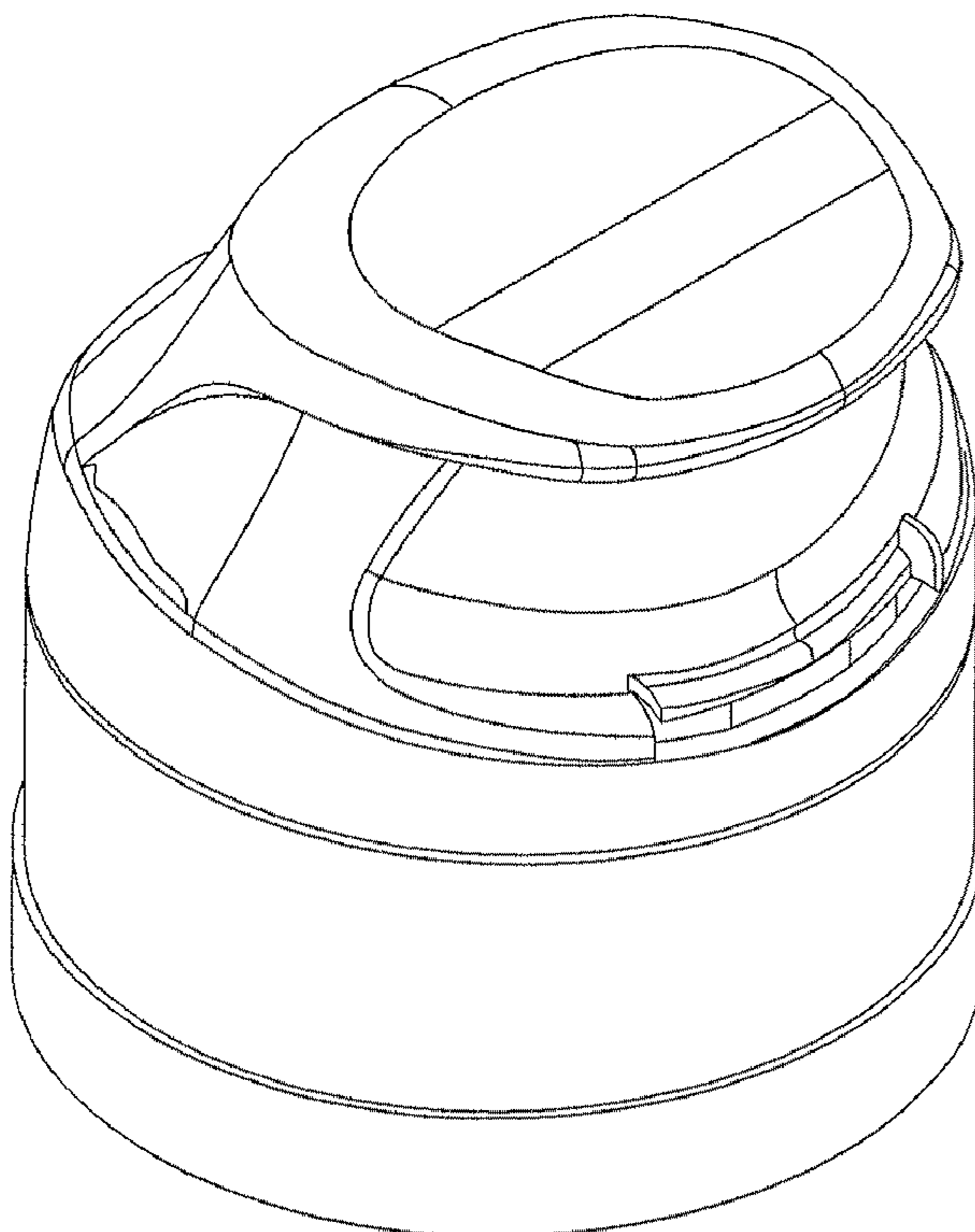


FIG. 1

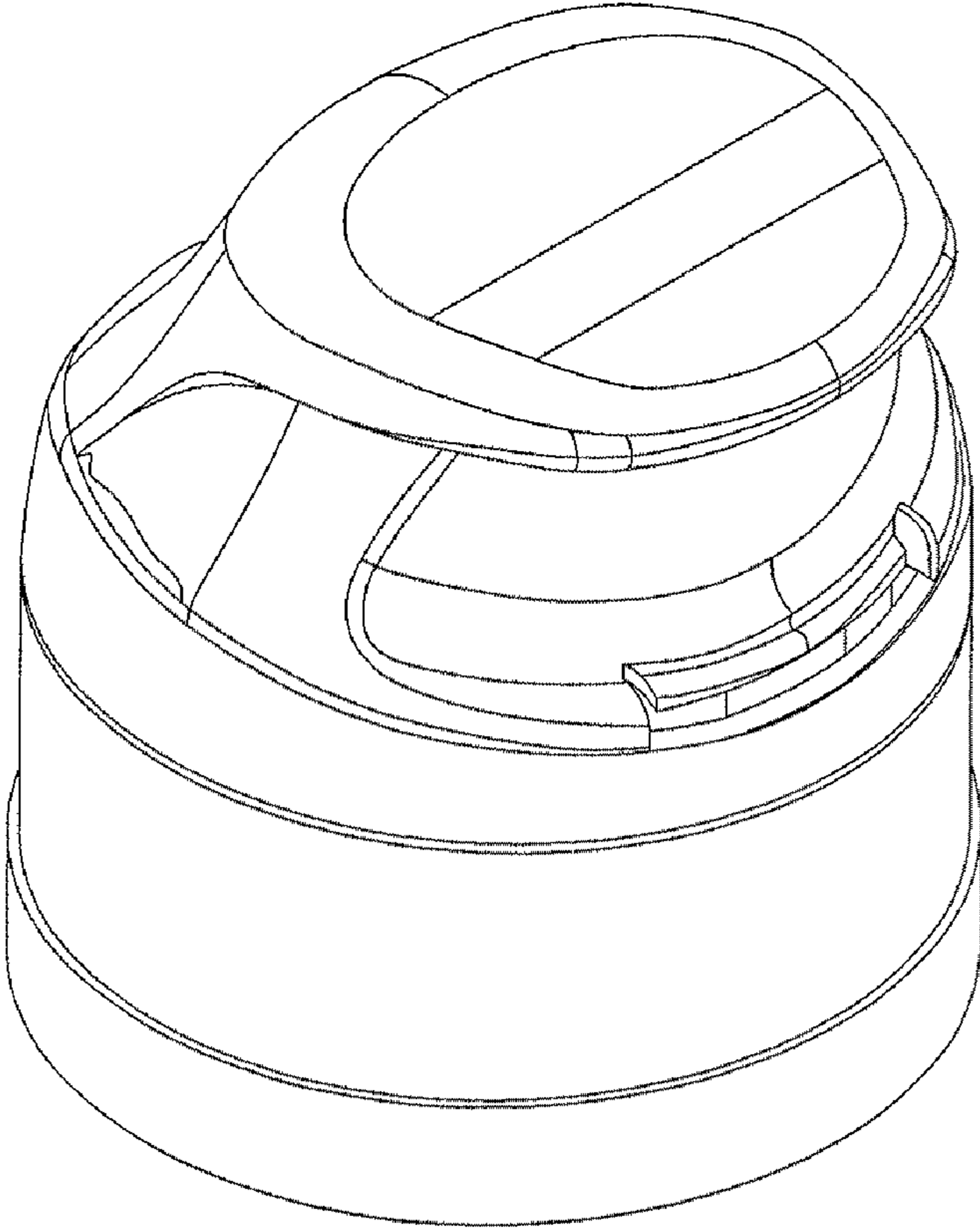
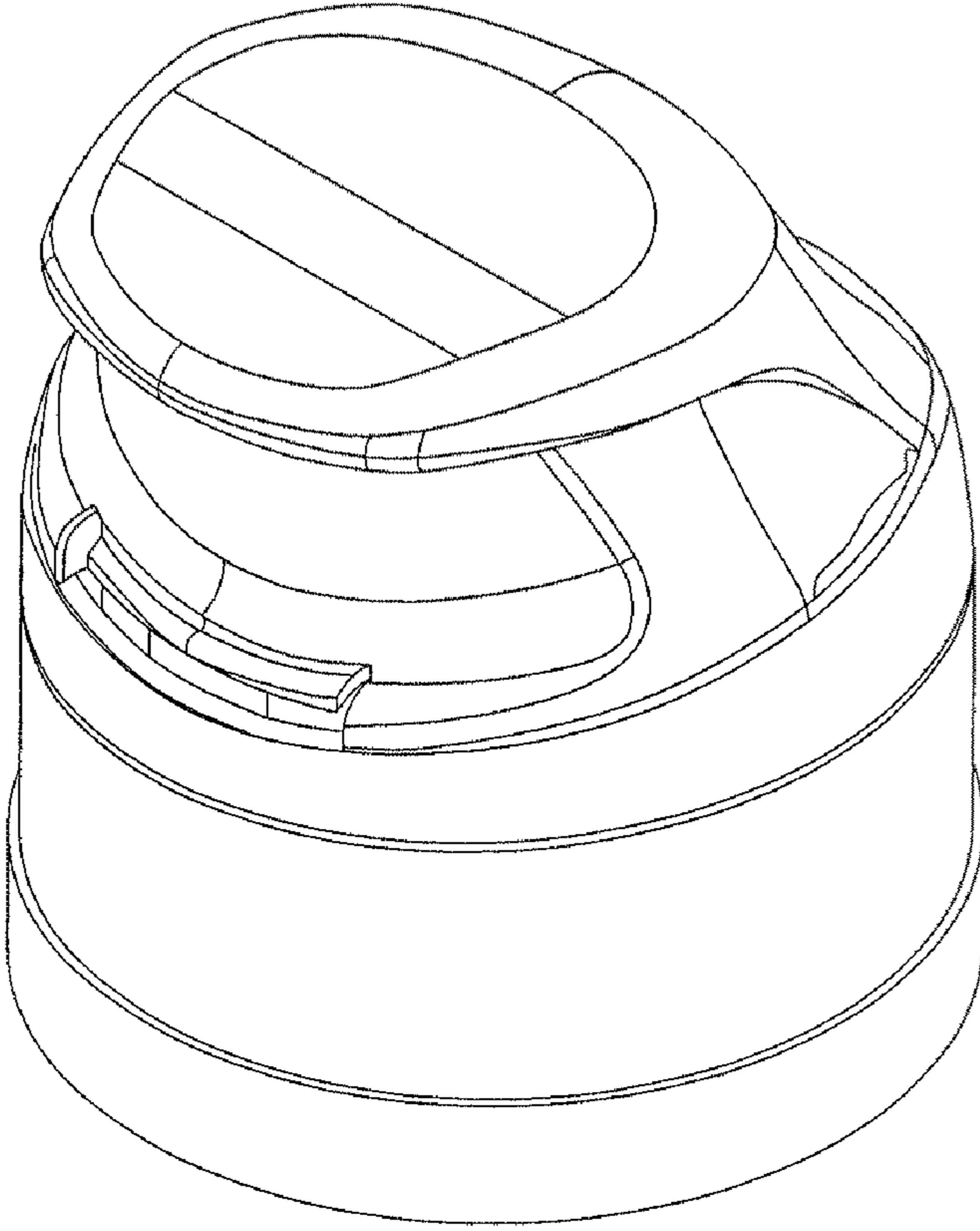


FIG. 2



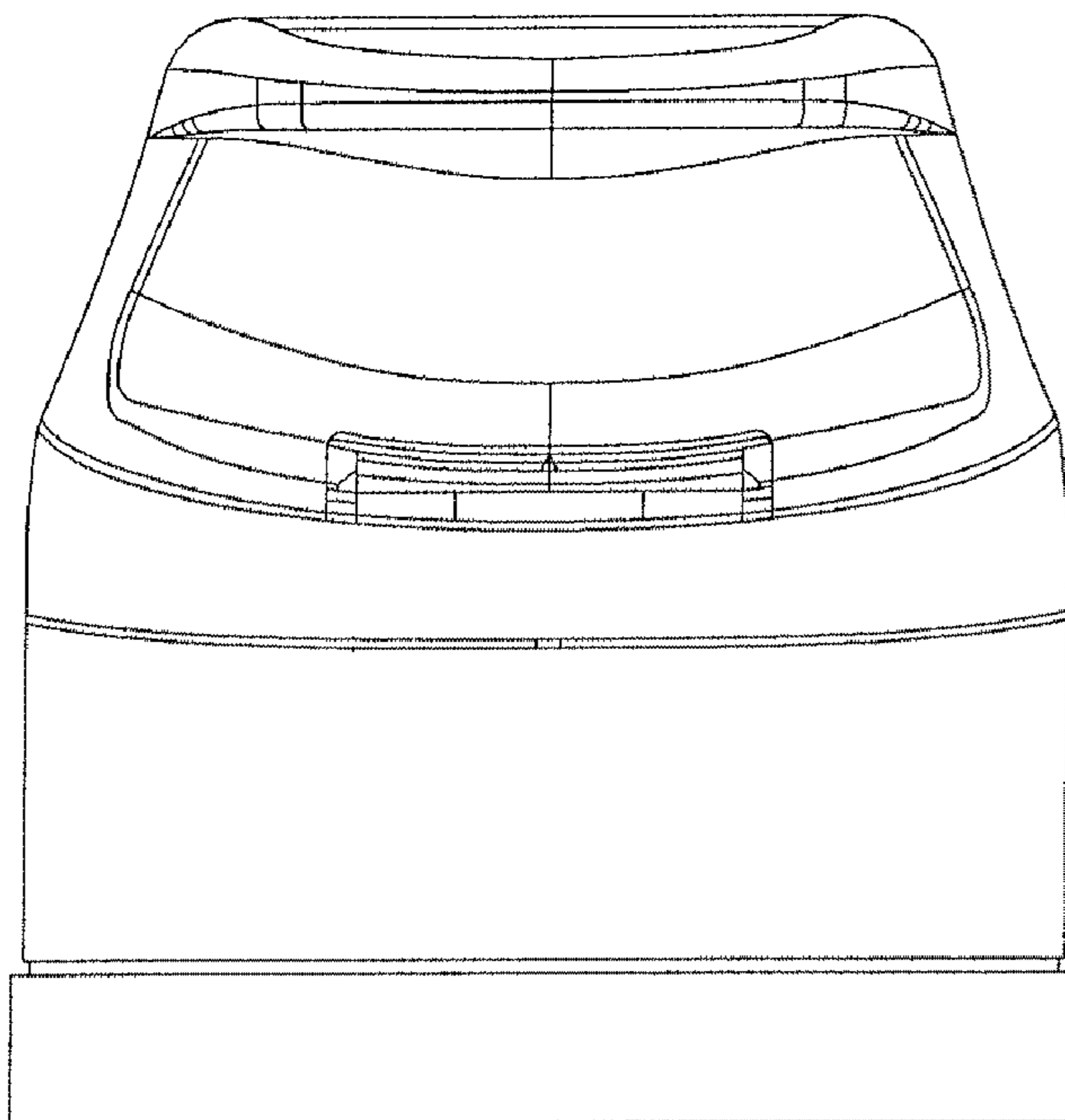


FIG. 3

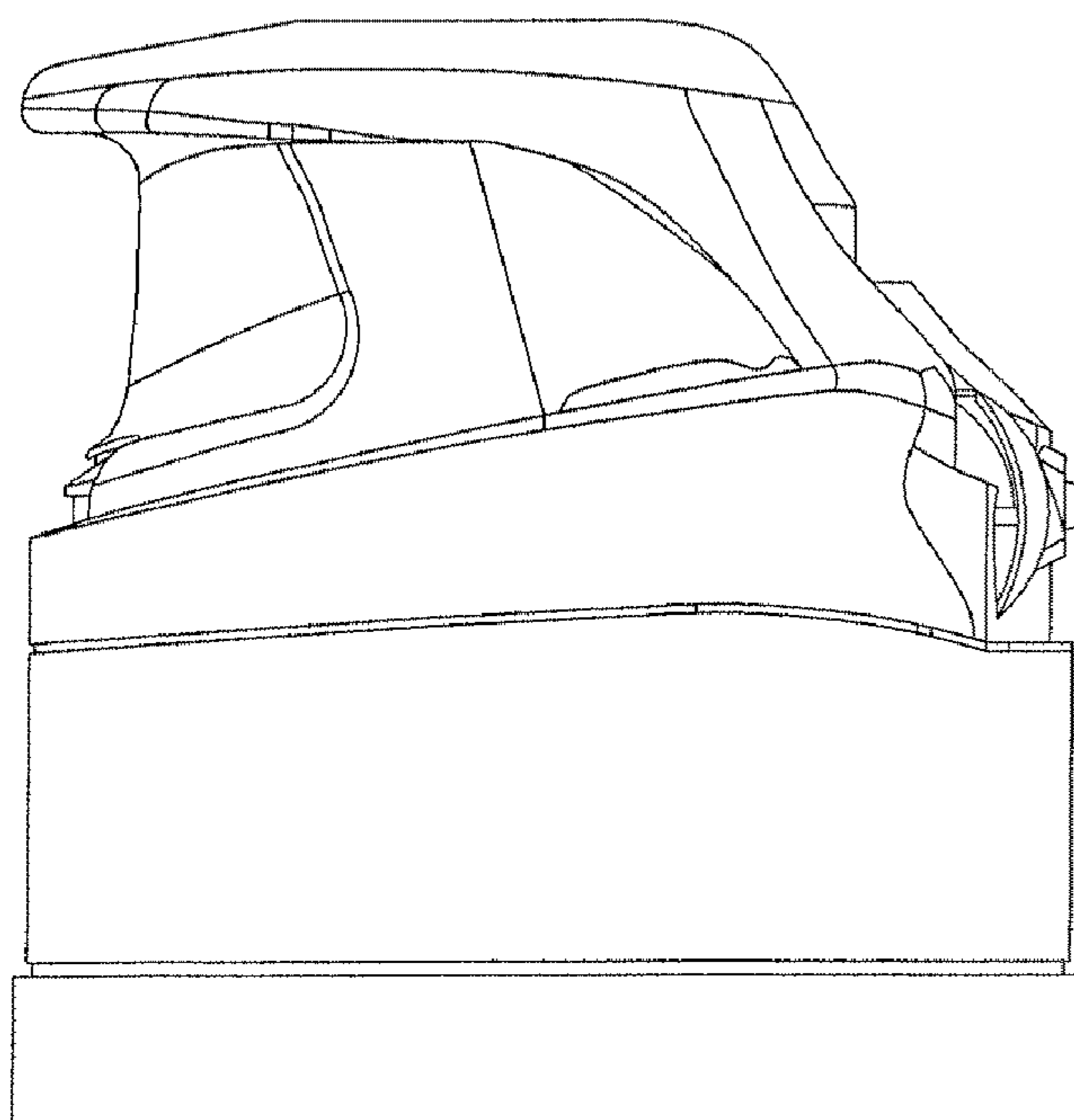


FIG. 4

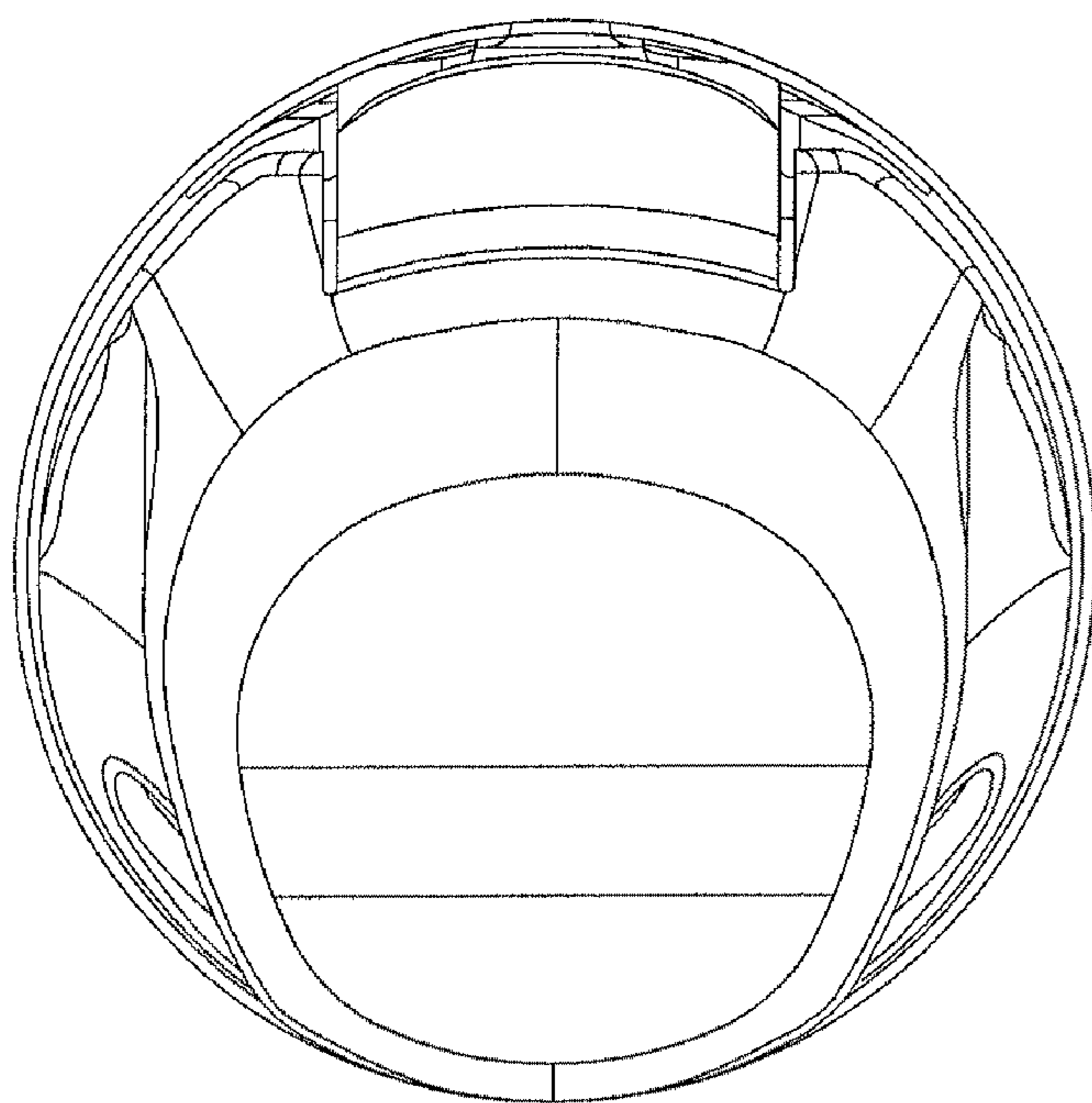


FIG. 5

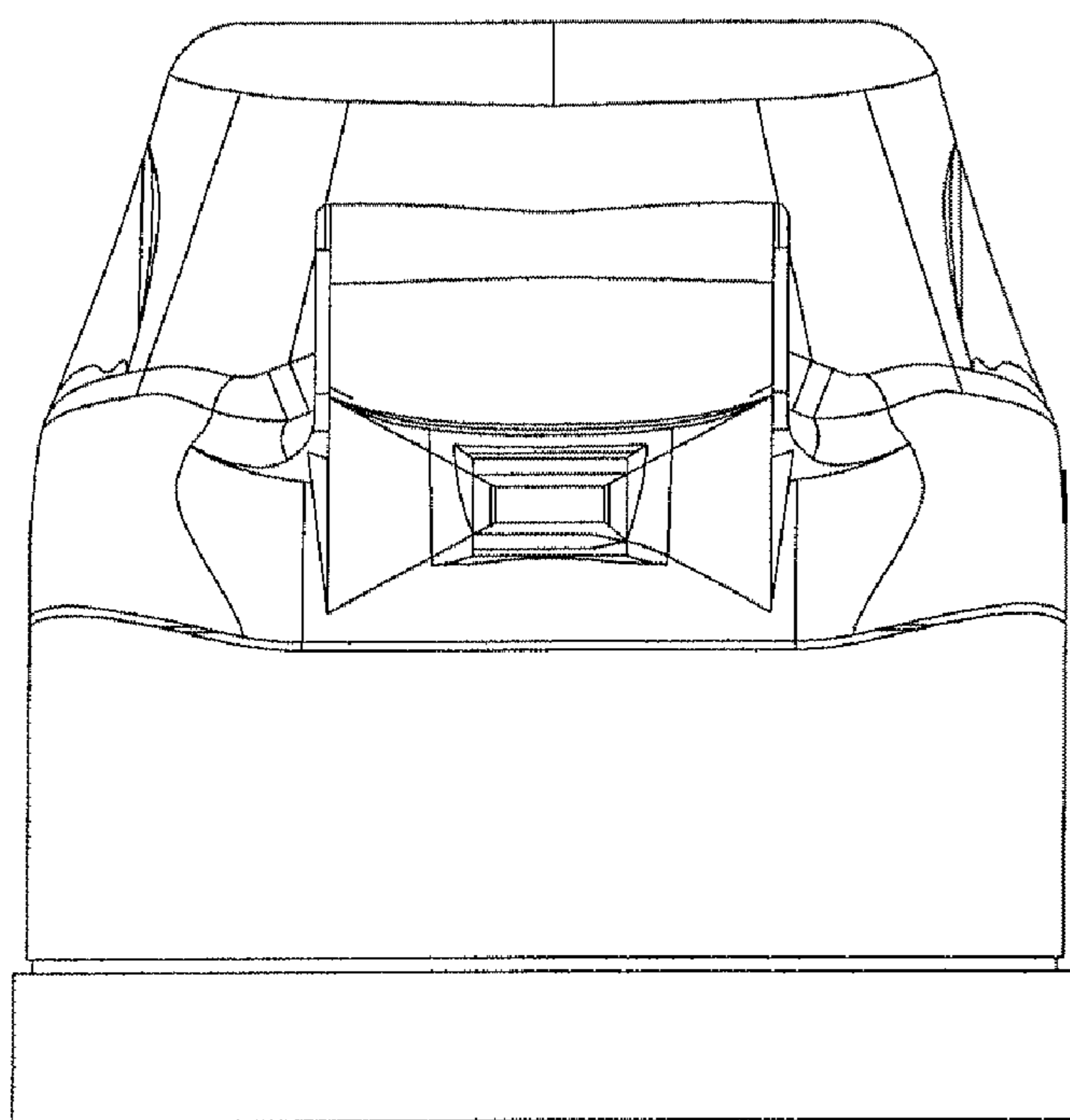


FIG. 6