



US00D640129S

(12) **United States Design Patent**
Sifuentes et al.

(10) **Patent No.:** **US D640,129 S**
(45) **Date of Patent:** **** Jun. 21, 2011**

(54) **FOOD CONTAINER**

(75) Inventors: **Gandhi B. Sifuentes**, Whittier, CA (US);
Cesar E. Ramirez, Van Nuys, CA (US)

(73) Assignee: **Direct Pack, Inc.**, Sun Valley, CA (US)

(**) Term: **14 Years**

(21) Appl. No.: **29/354,869**

(22) Filed: **Jan. 29, 2010**

(51) **LOC (9) Cl.** **09-03**

(52) **U.S. Cl.** **D9/425**

(58) **Field of Classification Search** D9/414,
D9/418, 420, 423, 424, 425, 426, 431, 432;
210/465-470; 206/518, 519; 220/4.23-4.25,
220/833; 229/406

See application file for complete search history.

(56) **References Cited**

U.S. PATENT DOCUMENTS

3,390,809	A	7/1968	Becucci	
3,412,888	A	11/1968	Andrews et al.	
3,511,433	A	5/1970	Andrews et al.	
D243,230	S	2/1977	Kleiner	
D246,289	S	11/1977	Boucher	
4,079,880	A *	3/1978	Edwards	220/4.21
D256,097	S	7/1980	Amberg	
D258,722	S	3/1981	Commisso et al.	
4,253,600	A *	3/1981	Schubert	229/406
D259,543	S	6/1981	Commisso et al.	
D263,684	S	4/1982	Davis	
D263,798	S	4/1982	Edwards	
D270,708	S	9/1983	Dart	
D272,971	S	3/1984	Tallon	
D277,167	S	1/1985	Dart	
D278,412	S	4/1985	Yeung	
D280,964	S	10/1985	Wolff	
D282,245	S	1/1986	Yeung	
D286,729	S	11/1986	Tzifkansky et al.	
D353,327	S *	12/1994	Castner et al.	D9/756
D377,739	S	2/1997	Carlson	

D387,558	S	12/1997	Mann et al.	
D389,056	S	1/1998	Hayes et al.	
D389,057	S	1/1998	Hayes et al.	
D394,985	S	6/1998	Curtis et al.	
5,833,116	A *	11/1998	Guillin	220/783
D407,014	S	3/1999	McCann	
D407,015	S	3/1999	Jones	
D408,733	S	4/1999	McCann	
D408,734	S	4/1999	McCann	
D409,484	S	5/1999	Tasker	
5,906,292	A *	5/1999	Rider, Jr.	220/839
D411,741	S	6/1999	Wilson et al.	
D412,439	S	8/1999	Cormack	
5,947,321	A *	9/1999	Vadney	220/367.1
D416,794	S	11/1999	Cormack	
D421,901	S	3/2000	Hill	
D423,943	S	5/2000	Papaloizou et al.	
D427,063	S	6/2000	May	
D428,310	S	7/2000	Zettle et al.	
D430,023	S	8/2000	Shurtleff et al.	

(Continued)

Primary Examiner — Thomas Johannes

(74) *Attorney, Agent, or Firm* — Frost Brown Todd LLC

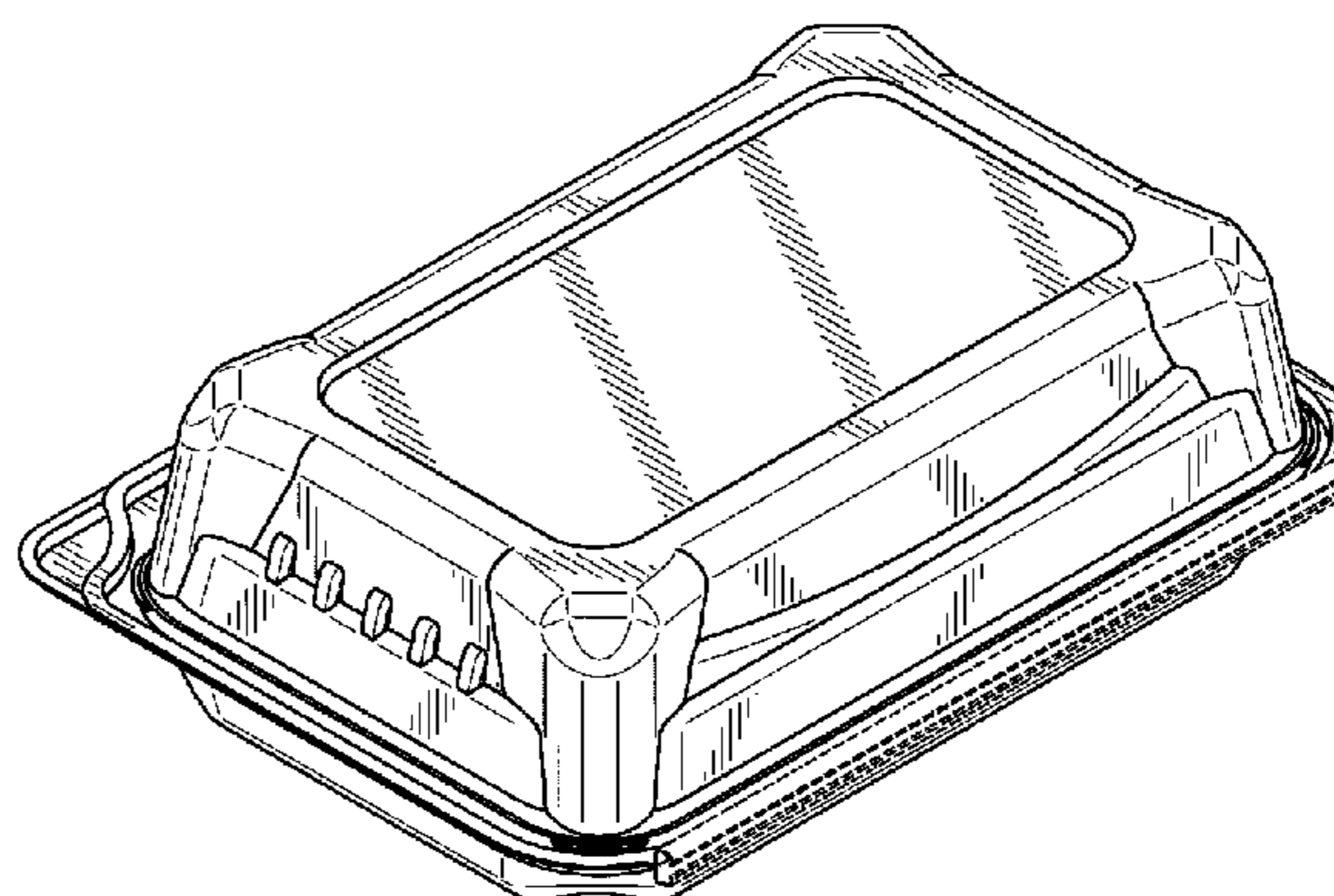
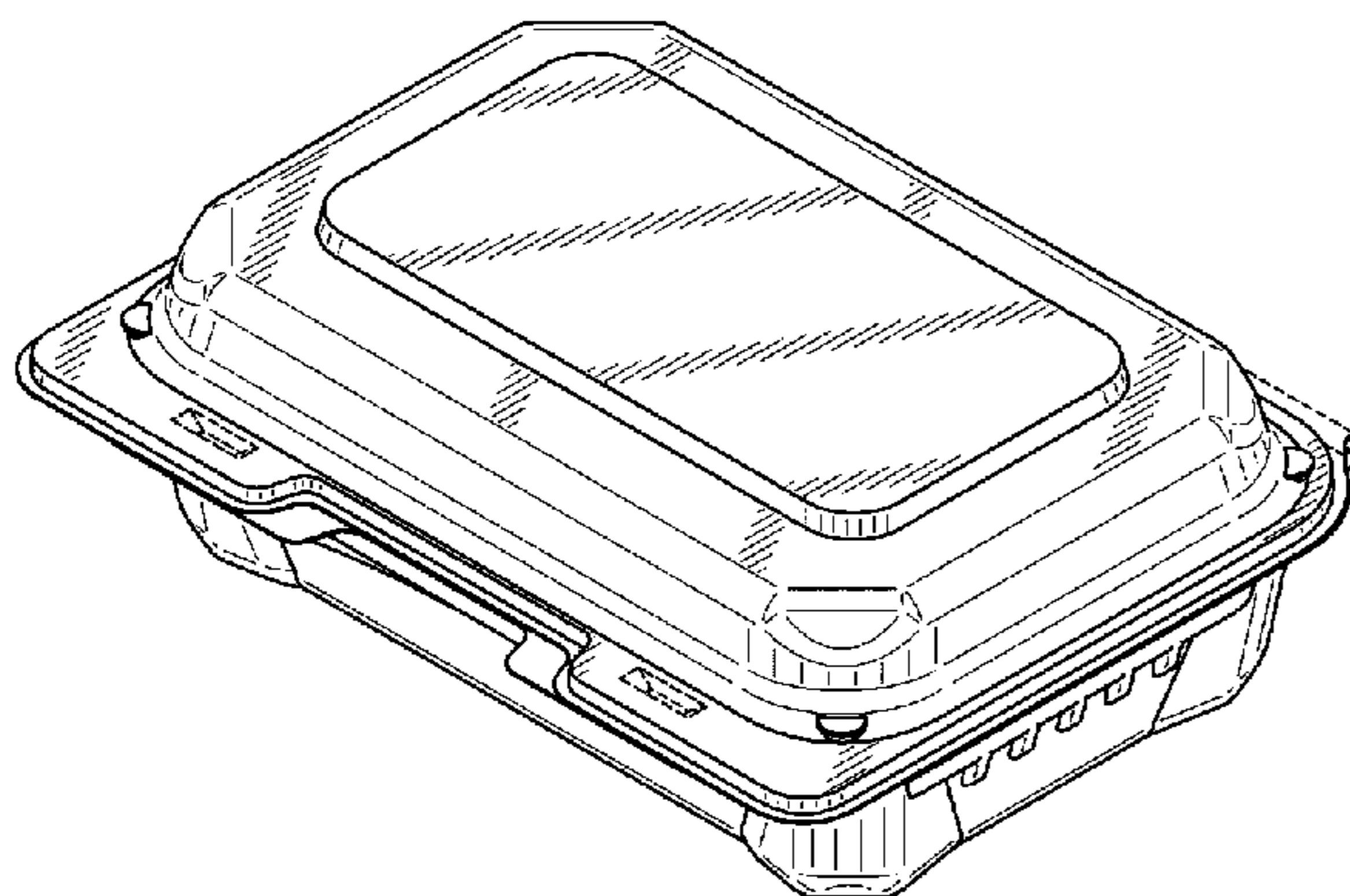
(57) **CLAIM**

The ornamental design for a food container, as shown and described.

DESCRIPTION

FIG. 1 is a top perspective view of a food container, showing our new design;
FIG. 2 is a bottom perspective view thereof;
FIG. 3 is a front elevation view thereof;
FIG. 4 is a back elevation view thereof;
FIG. 5 is a right elevation view thereof;
FIG. 6 is a left elevation view thereof;
FIG. 7 is a top plan view thereof; and,
FIG. 8 is a bottom plan view thereof.
The broken line portion of the figure drawings is included to show unclaimed subject matter only and forms no part of the claimed design.

1 Claim, 6 Drawing Sheets



US D640,129 S

Page 2

U.S. PATENT DOCUMENTS

D431,464 S	10/2000	Collins et al.	D526,192 S	8/2006	Post	
D439,159 S	3/2001	Chen	D526,193 S	8/2006	Heath	
D440,470 S	4/2001	Tucker et al.	D526,857 S	8/2006	Littmann	
D440,874 S	4/2001	Shurtleff et al.	D531,894 S	11/2006	Ramirez et al.	
D442,081 S	5/2001	Paul	D534,421 S	1/2007	Tanner	
D443,184 S	6/2001	Maxwell et al.	D539,100 S	3/2007	Zhao	
D443,508 S	6/2001	Braaten et al.	D540,666 S *	4/2007	Ramirez et al.	D9/423
D443,798 S	6/2001	Tucker et al.	D541,598 S	5/2007	Kim	
D446,085 S	8/2001	Dretzka	D541,648 S	5/2007	Bennett et al.	
D446,450 S	8/2001	Zettle et al.	D544,762 S	6/2007	Zimmerman	
D447,688 S	9/2001	Jalet et al.	D548,588 S	8/2007	Bouveret et al.	
D448,288 S	9/2001	Zettle et al.	D553,489 S	10/2007	Lambert et al.	
D451,278 S	12/2001	Cooper	D553,490 S	10/2007	Yang	
D452,374 S	12/2001	Kim	D554,498 S *	11/2007	Lovett	D9/425
D455,321 S	4/2002	Jung et al.	D557,601 S	12/2007	Minidis	
D458,085 S	6/2002	Kim	D564,349 S	3/2008	Schumaier	
D460,690 S	7/2002	Doerschlag	D566,482 S	4/2008	Tucker et al.	
D467,496 S	12/2002	Hayes et al.	D569,243 S	5/2008	Kidd et al.	
D468,637 S	1/2003	Chou	D571,654 S	6/2008	Maroofian et al.	
D469,689 S	2/2003	Buchalski et al.	D572,087 S	7/2008	Kim	
D470,048 S	2/2003	Buchalski et al.	D572,582 S	7/2008	Lymn et al.	
D472,807 S	4/2003	Saunders	D576,034 S	9/2008	da Costa	
D473,137 S	4/2003	Cadiente et al.	D577,578 S	9/2008	Lymn et al.	
D473,139 S	4/2003	Jowett	D579,326 S	10/2008	Chen	
D478,282 S	8/2003	Hayes et al.	D583,659 S	12/2008	Lyon et al.	
D479,127 S	9/2003	Jowett	D587,109 S	2/2009	Lyon et al.	
D483,622 S	12/2003	Kim	D587,993 S	3/2009	Vovan	
D483,664 S	12/2003	Cadiente	D589,759 S	4/2009	Ozery et al.	
D490,278 S	5/2004	Welsh	D591,112 S	4/2009	Wang	
D490,309 S	5/2004	Hayes et al.	D592,018 S	5/2009	Back	
D496,585 S	9/2004	McBride et al.	D592,494 S	5/2009	Wichowski	
D496,586 S	9/2004	Belser et al.	D596,499 S	7/2009	Willis et al.	
D500,674 S	1/2005	Chou	D597,831 S *	8/2009	Clark et al.	D9/424
D500,676 S	1/2005	Jackson et al.	D598,282 S	8/2009	Abrahamsson	
D504,325 S	4/2005	Vovan	D601,013 S *	9/2009	Petitjean	D9/426
D505,840 S	6/2005	Schultz et al.	D601,014 S *	9/2009	Petitjean	D9/426
D507,968 S	8/2005	Dixon et al.	D604,604 S	11/2009	Strange	
D509,111 S	9/2005	Vovan	D628,062 S *	11/2010	Snedden et al.	D9/426
D512,305 S	12/2005	Ramirez et al.	D628,474 S *	12/2010	Snedden et al.	D9/426
D513,376 S	1/2006	Shannon	2006/0157483 A1 *	7/2006	Evans et al.	220/4.22

* cited by examiner

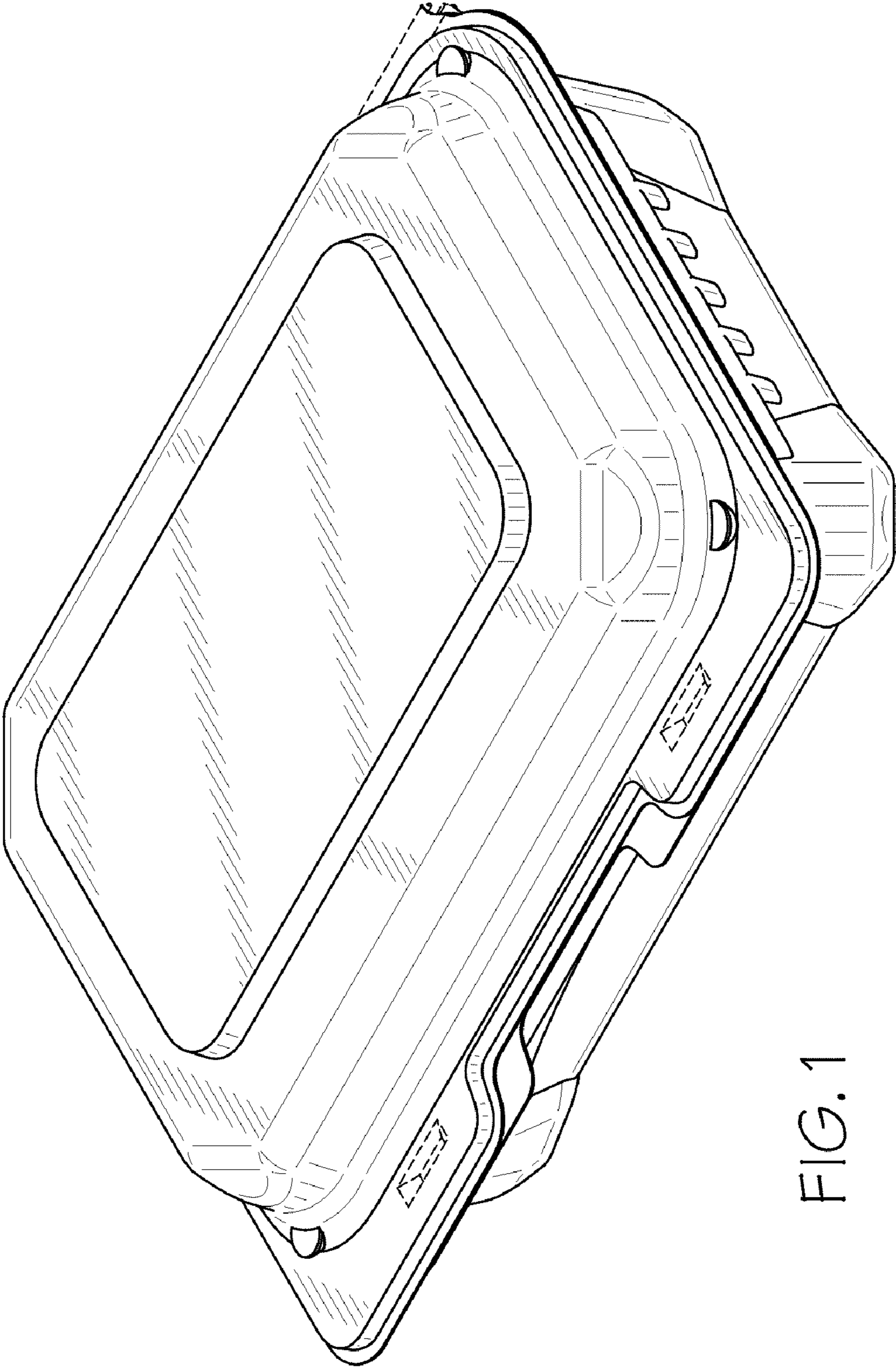


FIG. 1

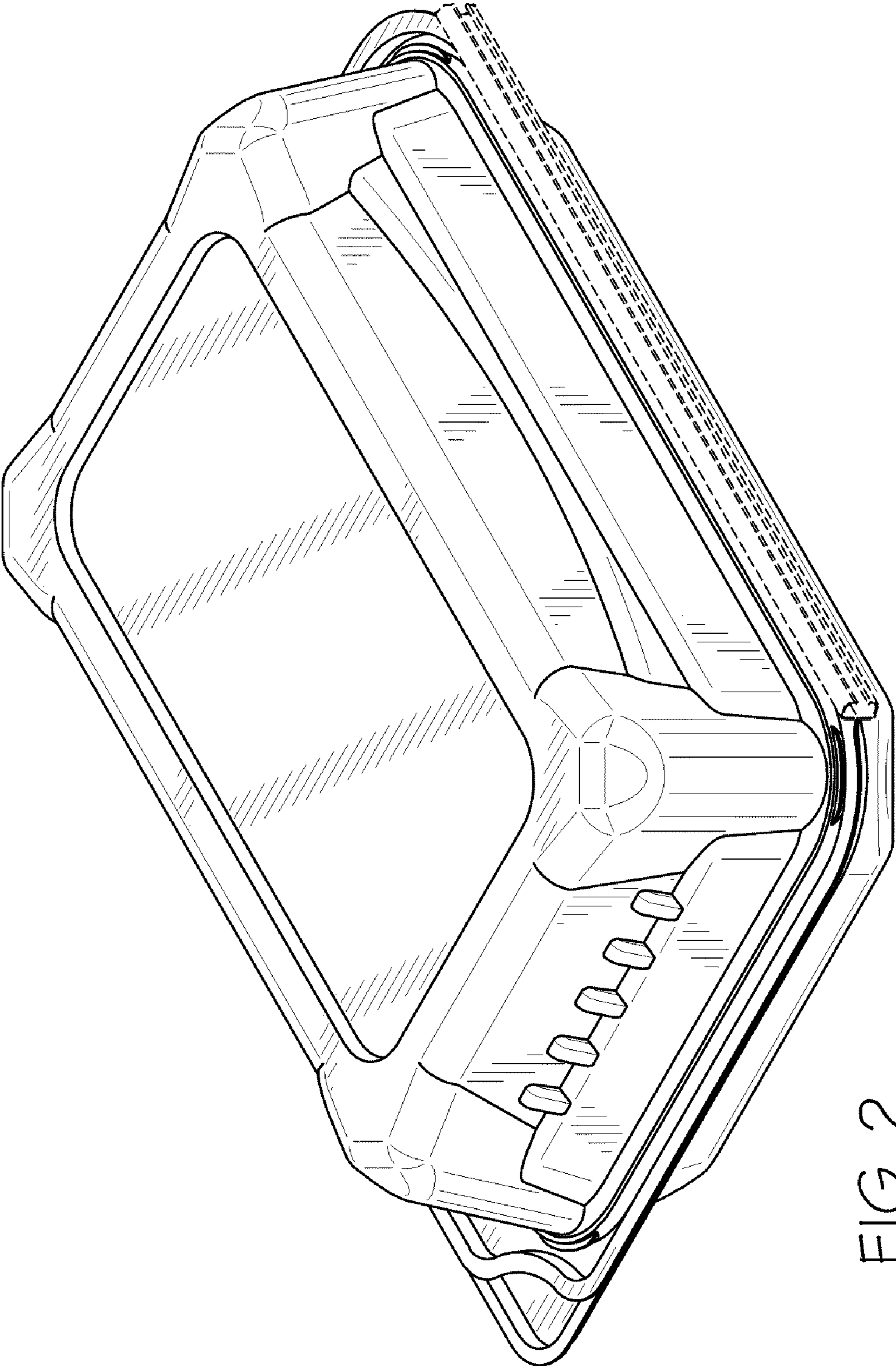


FIG. 2

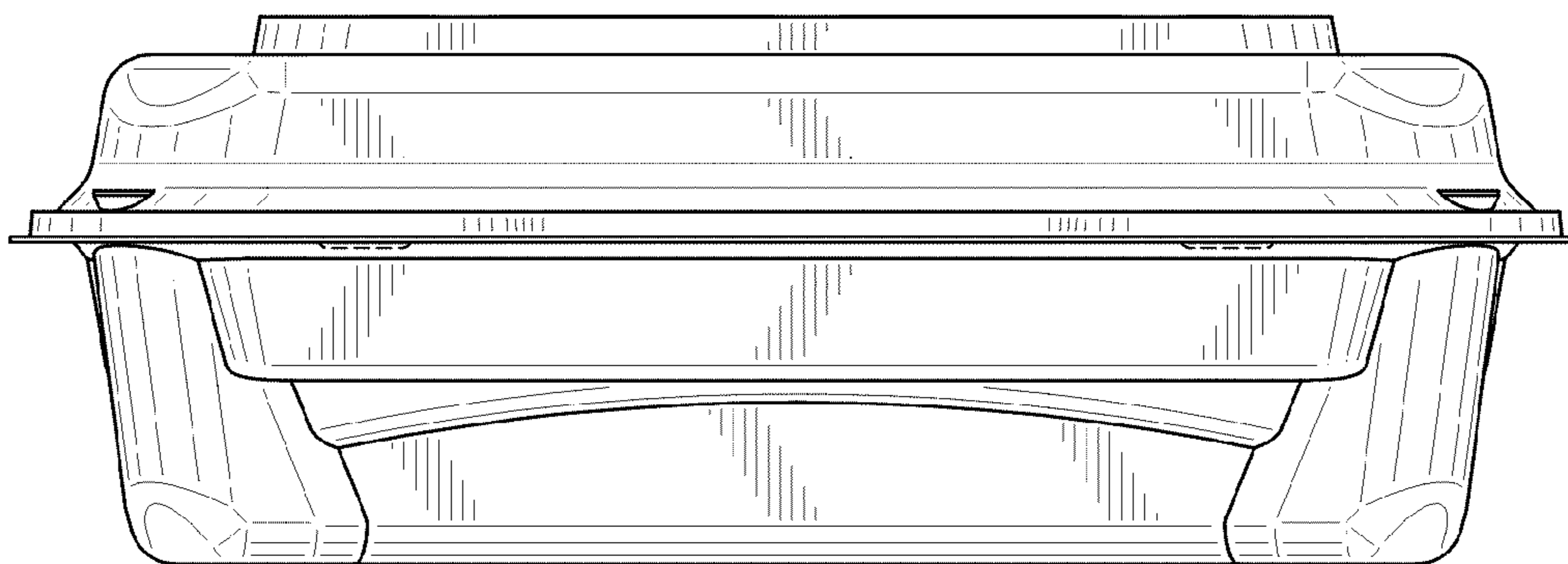


FIG. 3

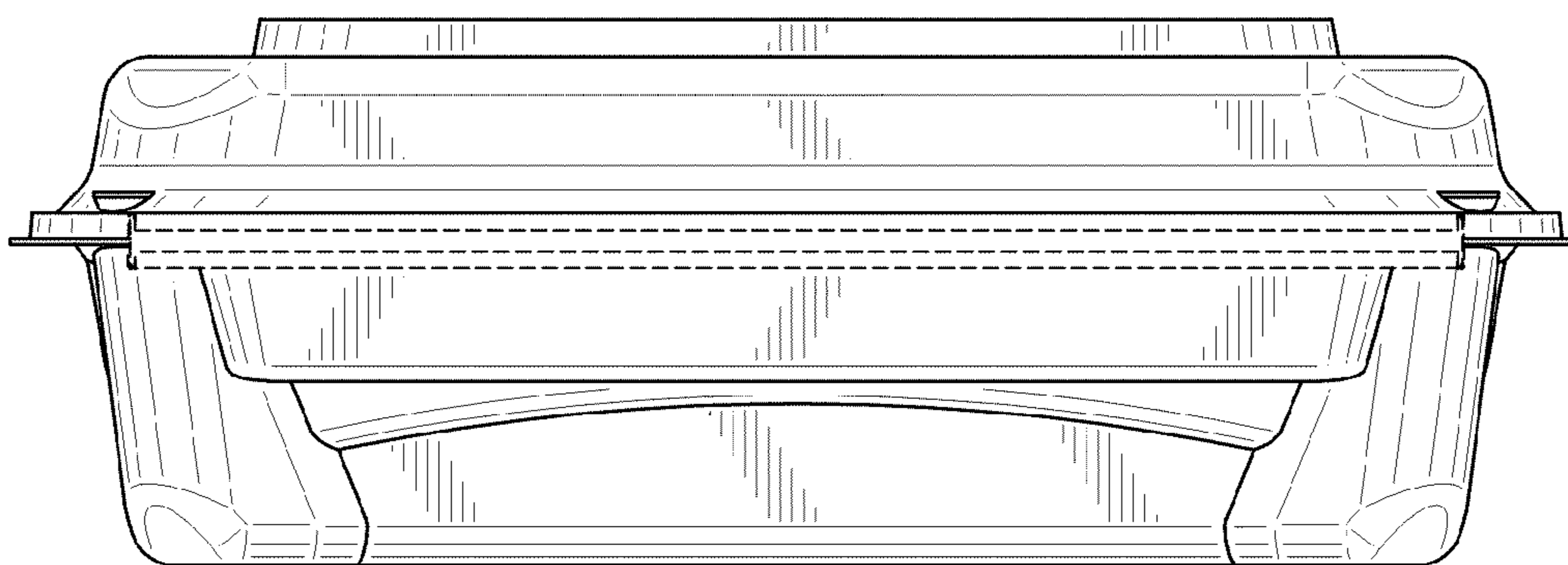


FIG. 4

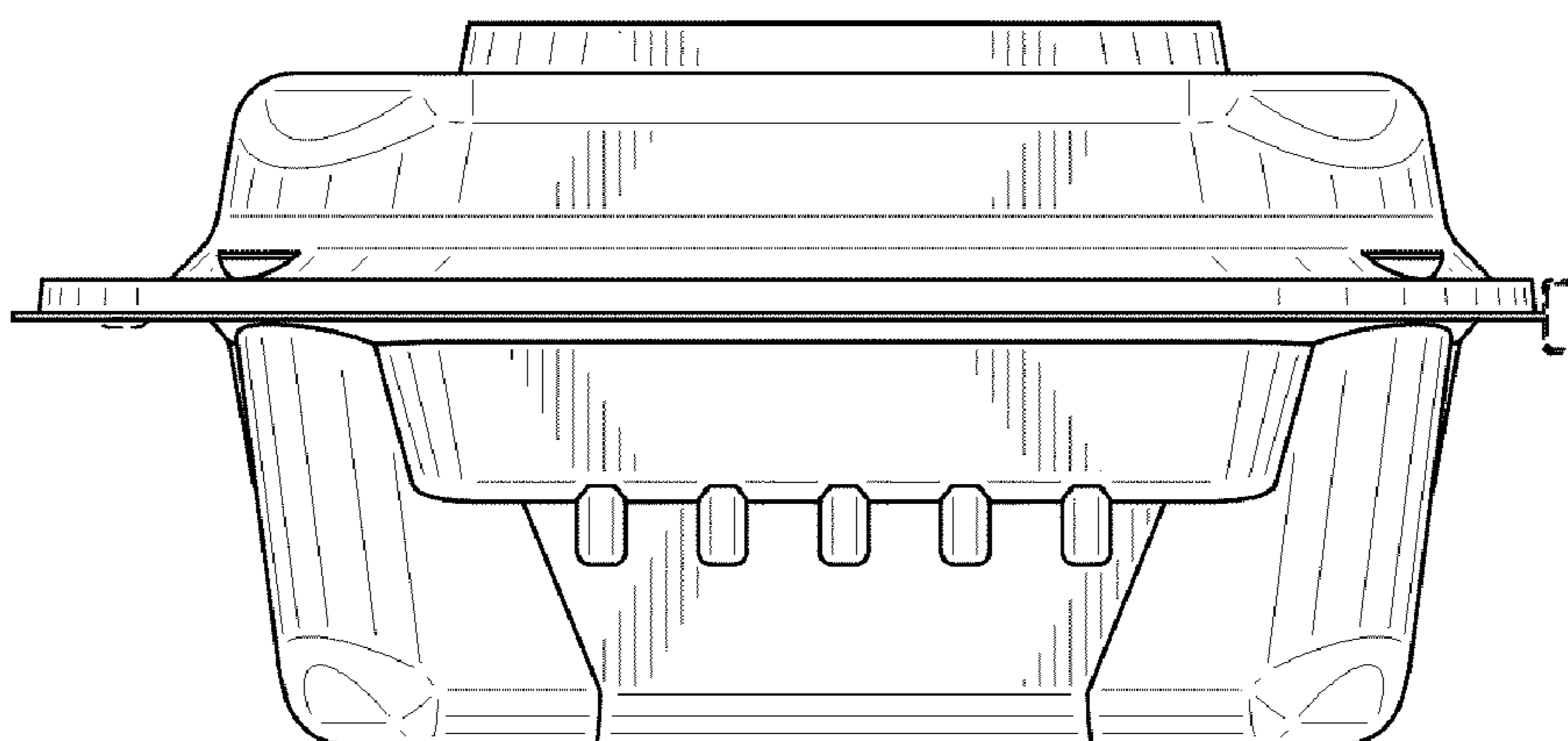


FIG. 5

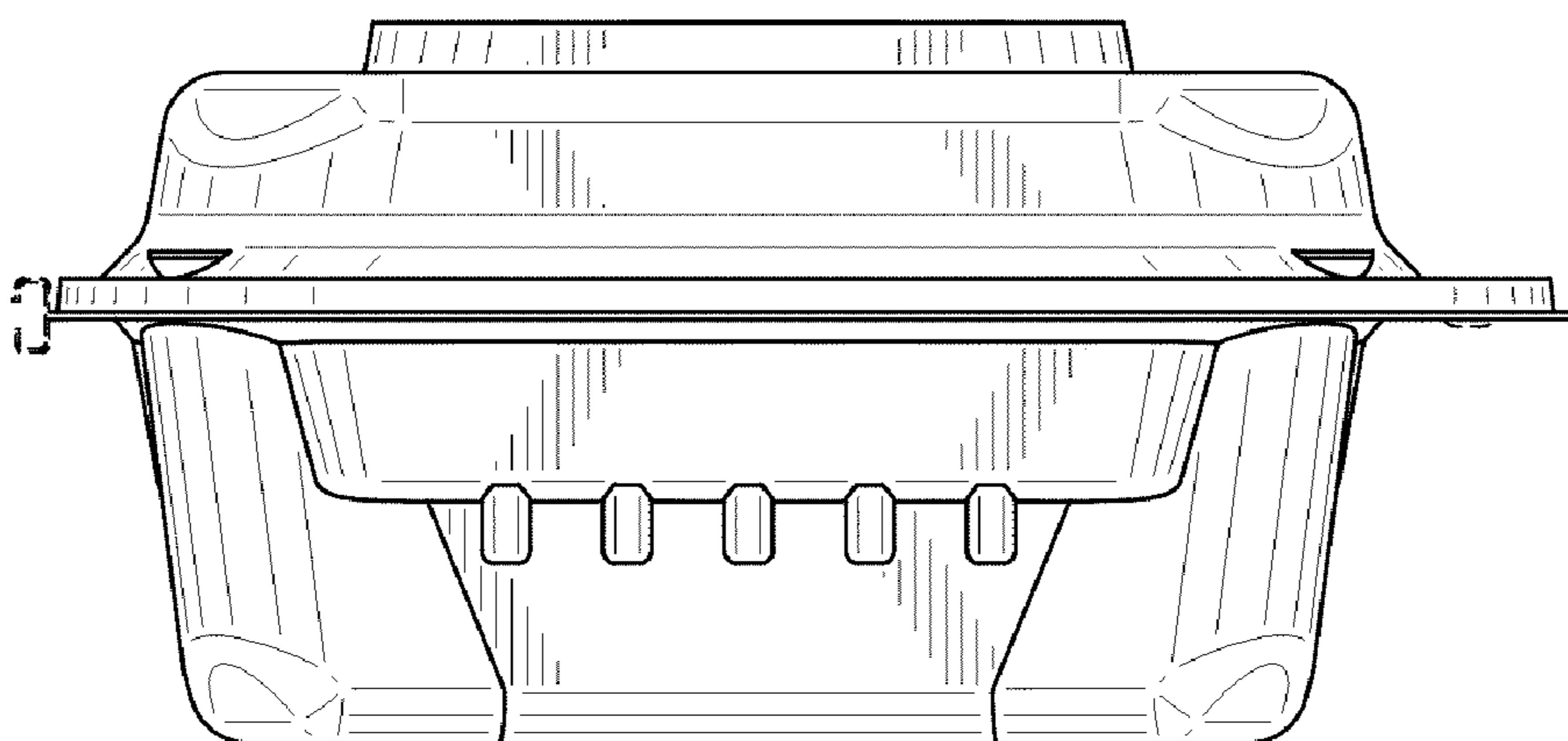


FIG. 6

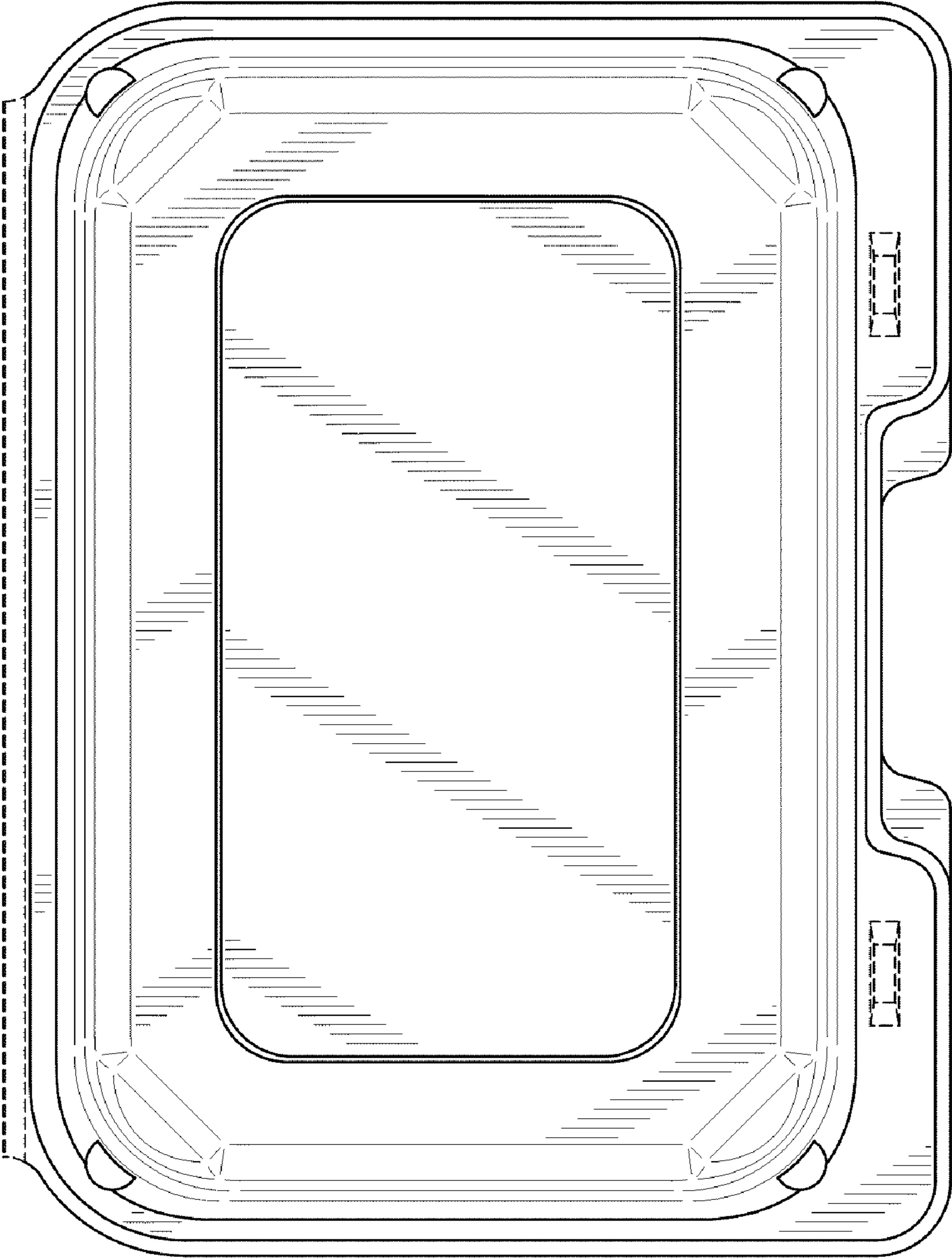


FIG. 7

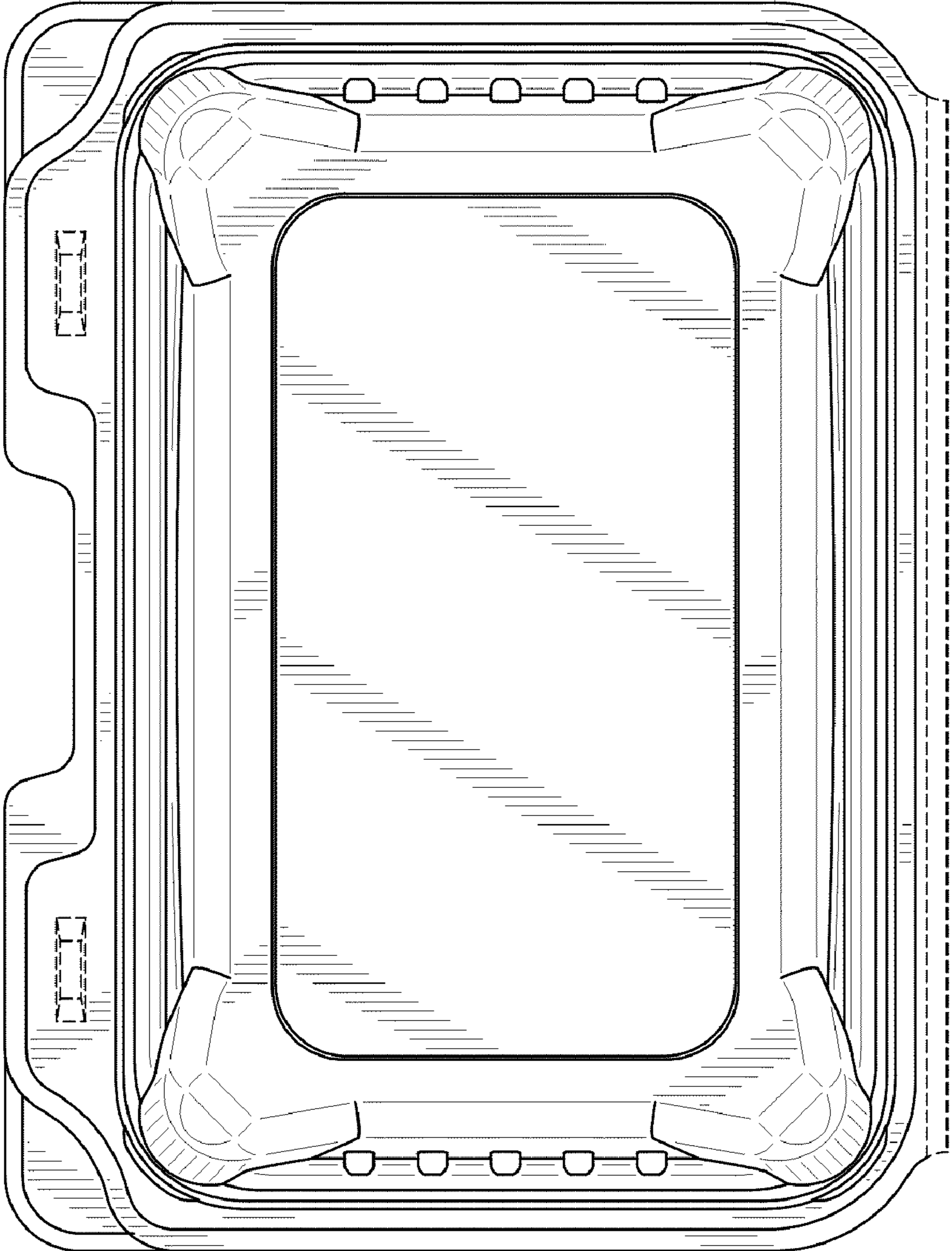


FIG. 8