

US00D640126S

(12) **United States Design Patent**
Plato

(10) **Patent No.:** **US D640,126 S**

(45) **Date of Patent:** **** *Jun. 21, 2011**

(54) **KNOCKER**

(75) Inventor: **Lea Marie Plato**, Milwaukee, WI (US)

(73) Assignee: **Master Lock Company LLC**, Oak Creek, WI (US)

(**) Term: **14 Years**

(21) Appl. No.: **29/365,431**

(22) Filed: **Jul. 9, 2010**

(51) **LOC (9) Cl.** **10-06**

(52) **U.S. Cl.** **D8/401**

(58) **Field of Classification Search** D8/300,
D8/306, 315, 316, 400-499; D11/132, 133,
D11/136; 16/126, 11 R; 116/155, 148, 16,
116/167; 446/422; 84/402, 410; 984/DIG. 1
See application file for complete search history.

(56) **References Cited**

U.S. PATENT DOCUMENTS

D3,357 S	2/1869	Pratt	
D66,915 S *	3/1925	Wilson	D8/321
2,040,556 A	5/1936	Harrison	
2,181,402 A *	11/1939	Katz	206/6.1
D202,877 S *	11/1965	Morse	D8/401
D212,236 S	9/1968	Merillat	
3,734,054 A *	5/1973	Anderson	116/148
D230,138 S	1/1974	Weller	
D255,196 S	6/1980	Durrant	
D276,132 S	10/1984	Loeb	
D297,007 S	8/1988	Pushelberg	
D321,491 S	11/1991	Stagl	
D338,718 S	8/1993	Izzo	
D375,424 S	11/1996	Burwick	
D411,094 S *	6/1999	Schultz	D8/343

D411,797 S	7/1999	Schultz	
5,947,786 A	9/1999	Glick	
D416,720 S	11/1999	Draheim et al.	
D442,848 S *	5/2001	Schultz et al.	D8/343
D472,407 S	4/2003	Lenger	
D518,700 S	4/2006	Arosio	
D535,182 S *	1/2007	Cutler	D8/401
D541,689 S	5/2007	Meyers et	
D551,056 S *	9/2007	Ricereto	D8/317
D561,557 S *	2/2008	McConnell	D8/316
D571,184 S *	6/2008	Ricereto	D8/316
D572,667 S	7/2008	Mayo et al.	
D576,432 S	9/2008	Siekman	
2003/0094358 A1	5/2003	Bui et al.	

* cited by examiner

Primary Examiner — Barbara Fox

(74) *Attorney, Agent, or Firm* — Calfee, Halter & Griswold LLP

(57) **CLAIM**

I claim the ornamental design for a knocker, as shown and described.

DESCRIPTION

FIG. 1 is a front perspective view of a knocker showing the new design;

FIG. 2 is a top view of the knocker of FIG. 1;

FIG. 3 is a front view of the knocker of FIG. 1;

FIG. 4 is a rear view of the knocker of FIG. 1;

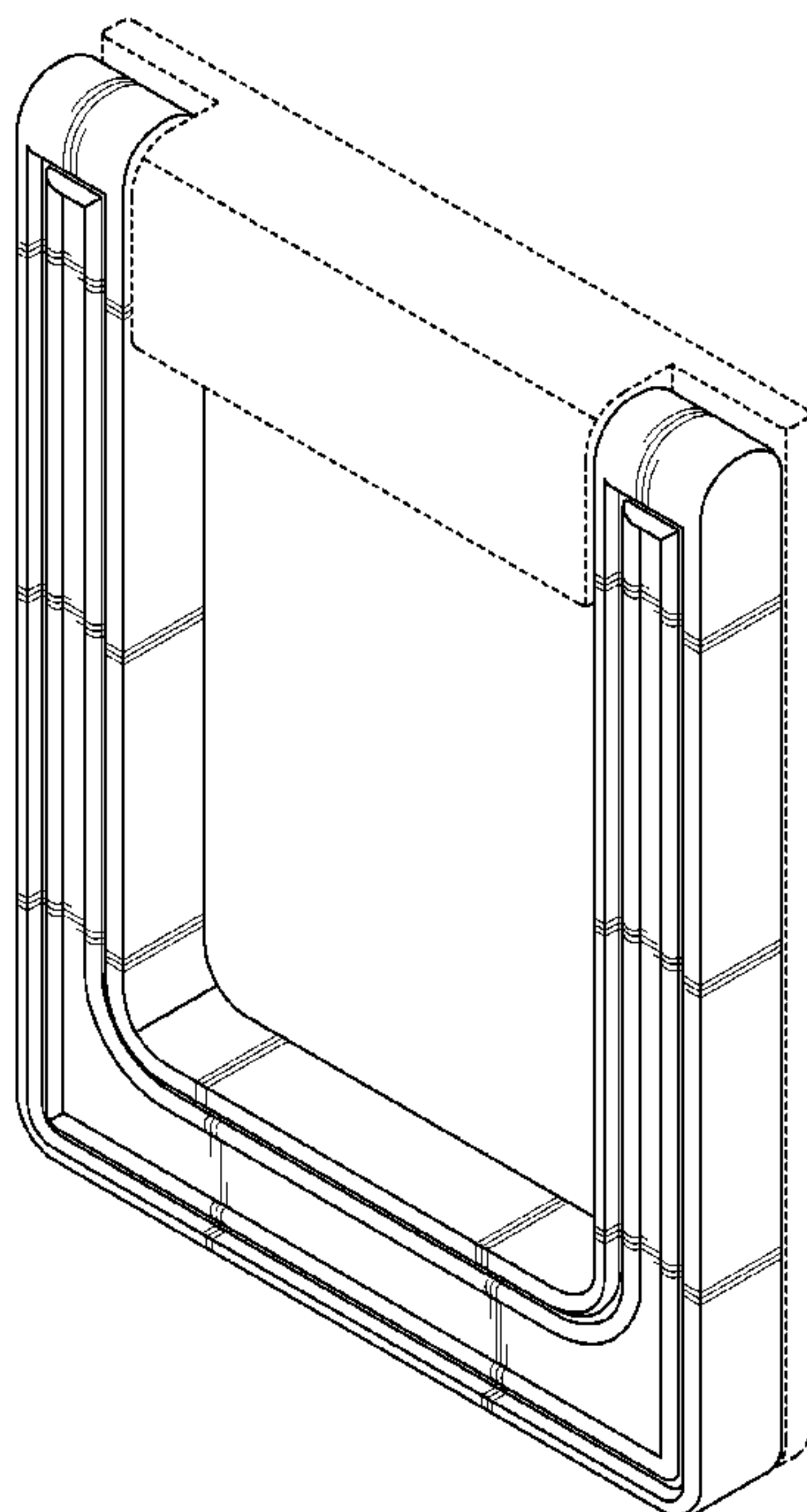
FIG. 5 is a bottom view of the knocker of FIG. 1;

FIG. 6 is a left side view of the knocker of FIG. 1; and,

FIG. 7 is a right view of the knocker of FIG. 1.

The broken lines shown in the drawings are for the purpose of illustrating unclaimed portions of the knocker and form no part of the claimed design.

1 Claim, 4 Drawing Sheets



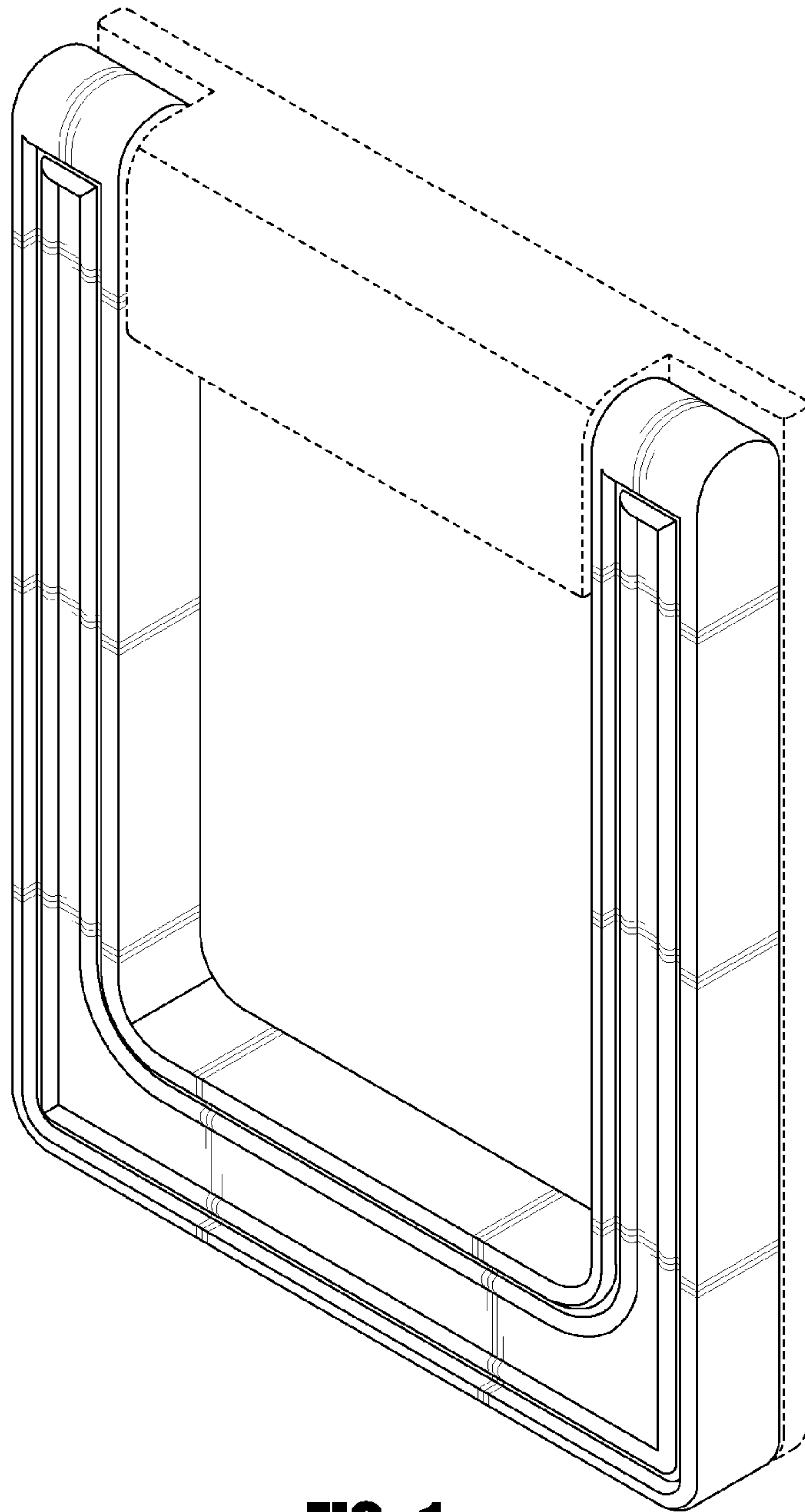


FIG. 1



FIG. 2

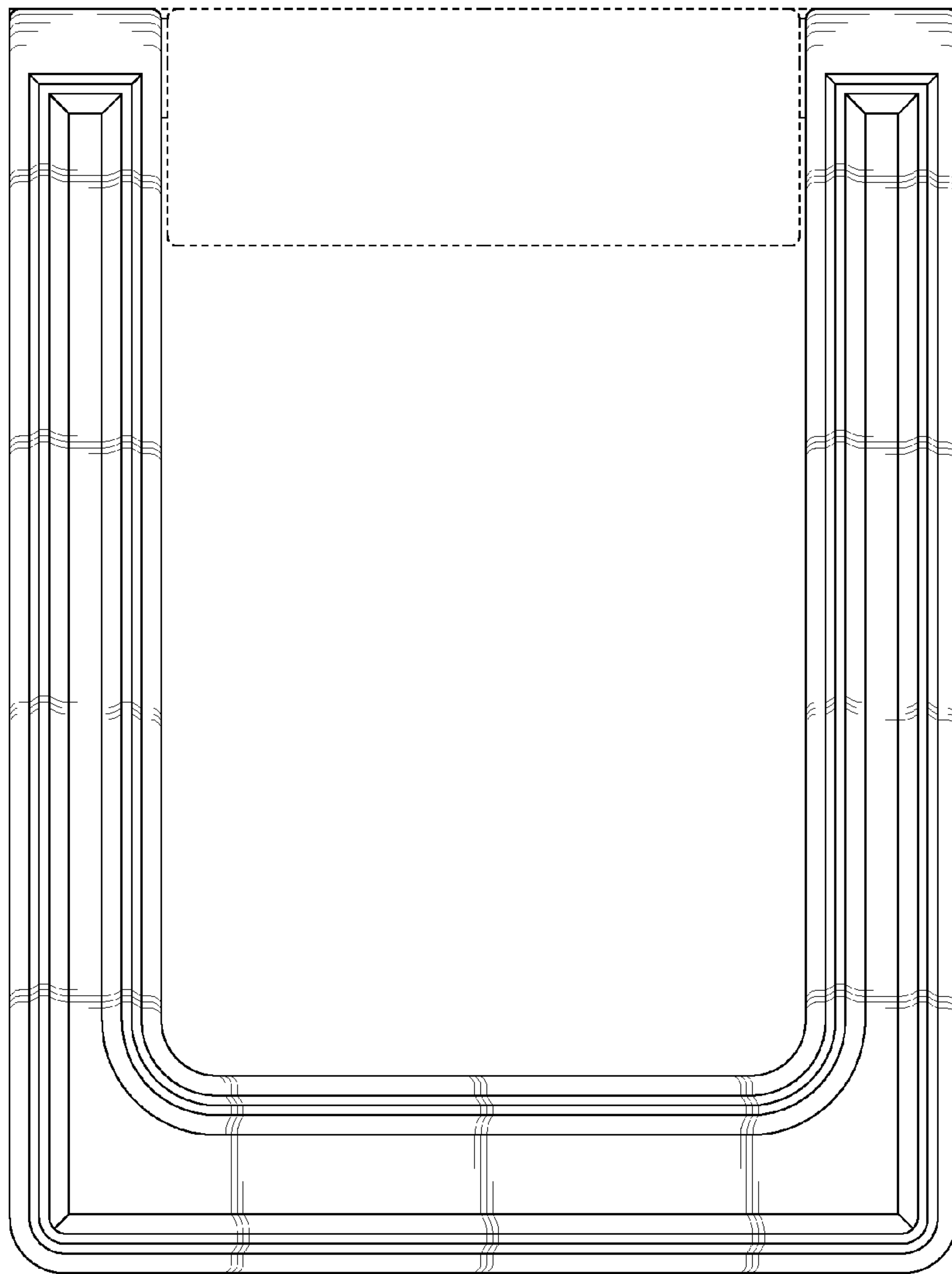


FIG. 3



FIG. 4

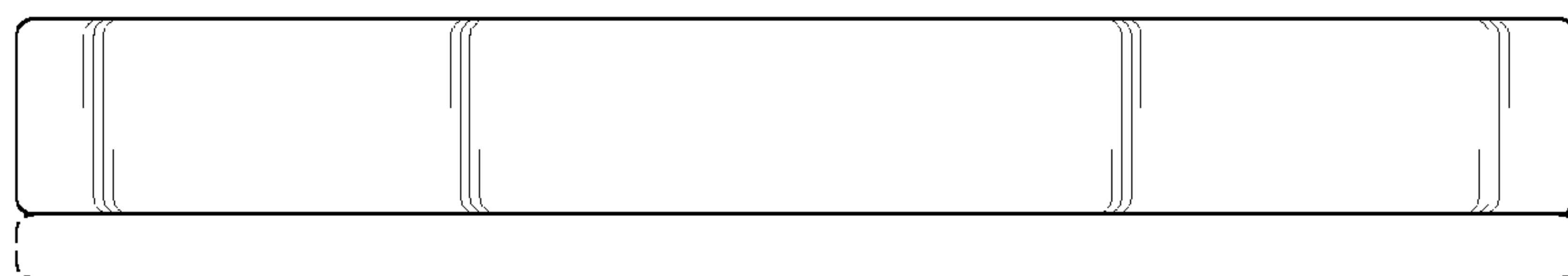


FIG. 5

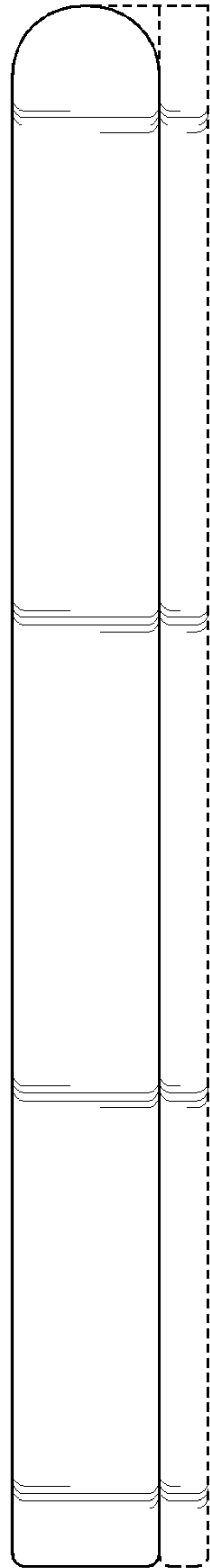


FIG. 6

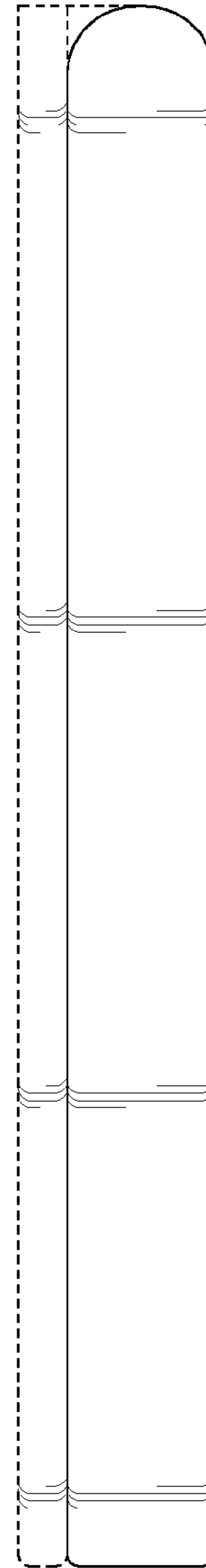


FIG. 7